

# Fakturerings sammendrag

## Systeminformasjon

Maskinnavn: Xerox AltaLink B8170 (A0:F5:8D)  
Maskinens serienr.: HHZ762811  
Trykk siden systemoppstart: 25

## Programvareversjoner

Programvare for enheten: 122.014.025.20410  
Oppdatering-versjon: Ingen  
Nettverkskontroller: 122.014.20410  
Fastvare for brukergrensesnittpanel: 003.004.00000  
Trykkenhet: 064.022.000  
Originalmater: 001.035.000  
Etterbehandler: 000.000.000  
Faks: 000.000.000  
Skanner: 017.024.015

## Faktureringsstilleverk

### Faks

Sendte bilder via innebygd faks: 0  
Trykk fra innebygd faks: 0

### Kopiering

Antall sorte kopierte trykk: 31355

### Utskrift

Antall sorte trykk skrevet ut: 133920

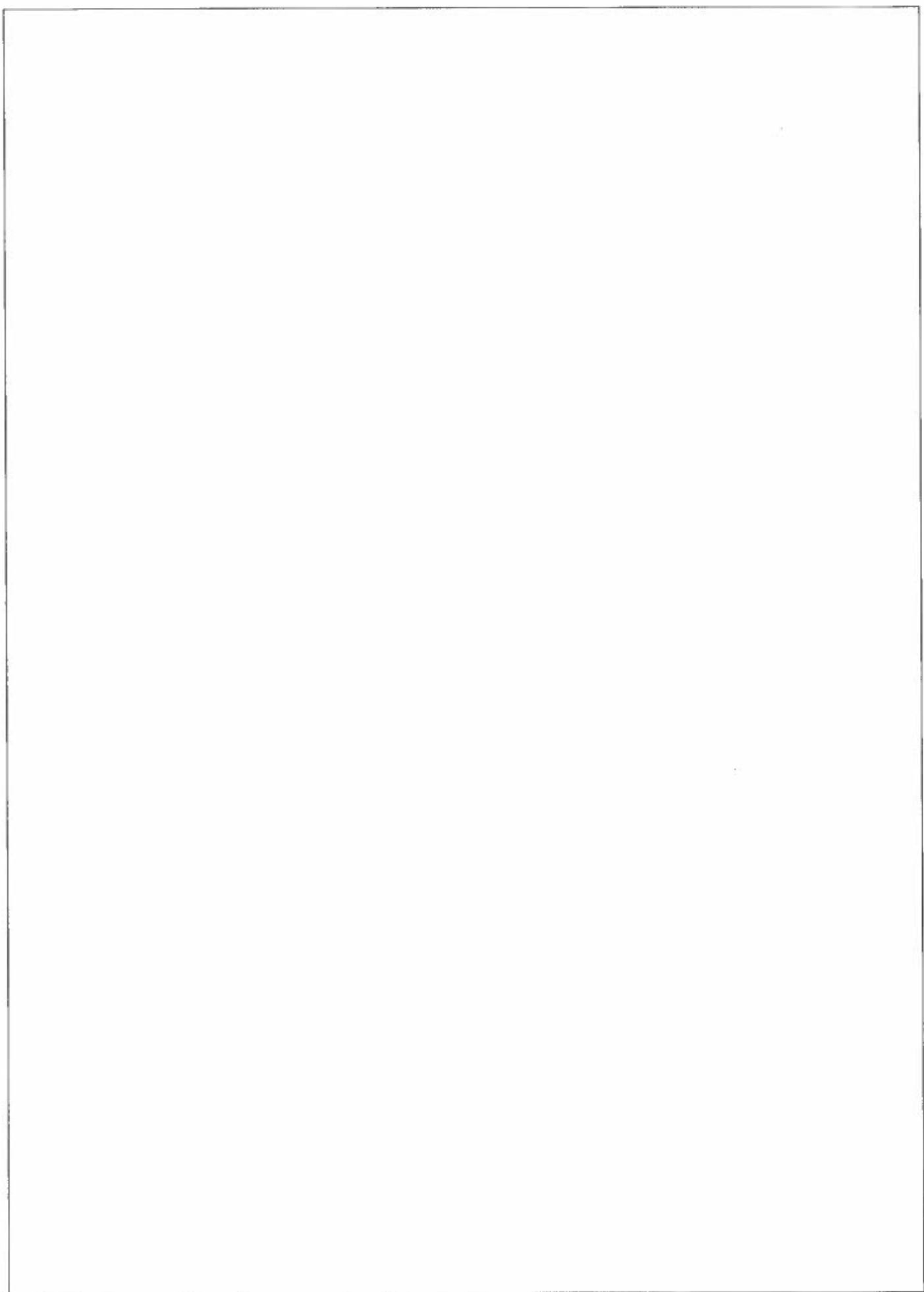
### Skanning

Antall sendte nettverksskanningsbilder: 65  
Antall sendte e-postbilder: 10

## Totalt for maskin

Totalt antall trykk: 756801

Vanlig papir: 760



# Bruk av forbruksartikler

Du finner informasjon om bestilling av forbruksartikler på  
[www.xerox.com/office/supplies](http://www.xerox.com/office/supplies)

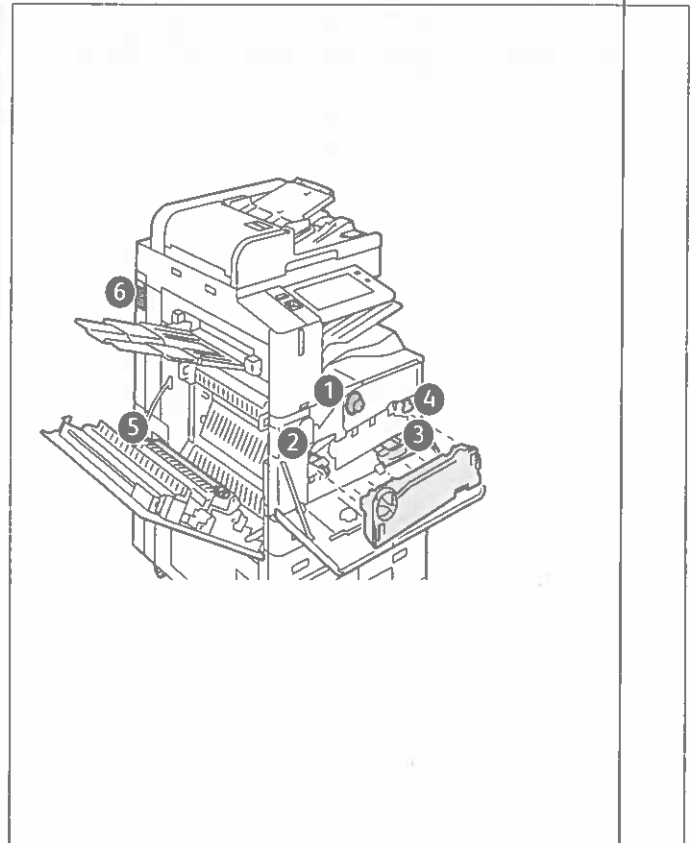
## Forbruksartikler

### 1 Fargepulverkassetter



#### Sort

Dato for innsetting: May 13, 2024  
 Ny bestilling: 006R01770  
 Anslått gjestående sider: 500  
 (Basert på gjennomsnittlig dekningsgrad for denne fargepulverkassetten: 1 %)



## Kundeutskiftbare deler

### 2 Trommelkassett



#### Sort (R1)

Dato for innsetting: Nov 9, 2024  
 Ny bestilling: 013R00686  
 Anslått gjestående sider: 155000  
 (Basert på gjennomsnittlig jobbstørrelse: 1 Sider)



### 3 Spillbeholder

Dato for innsetting: Jul 22, 2025  
 Ny bestilling: 008R08102



OK

### 4 Rengjøringsenhet for overføringsbeltet

Dato for innsetting: Jul 22, 2025  
 Ny bestilling: 001R00623  
 Anslått gjestående sider: 159000

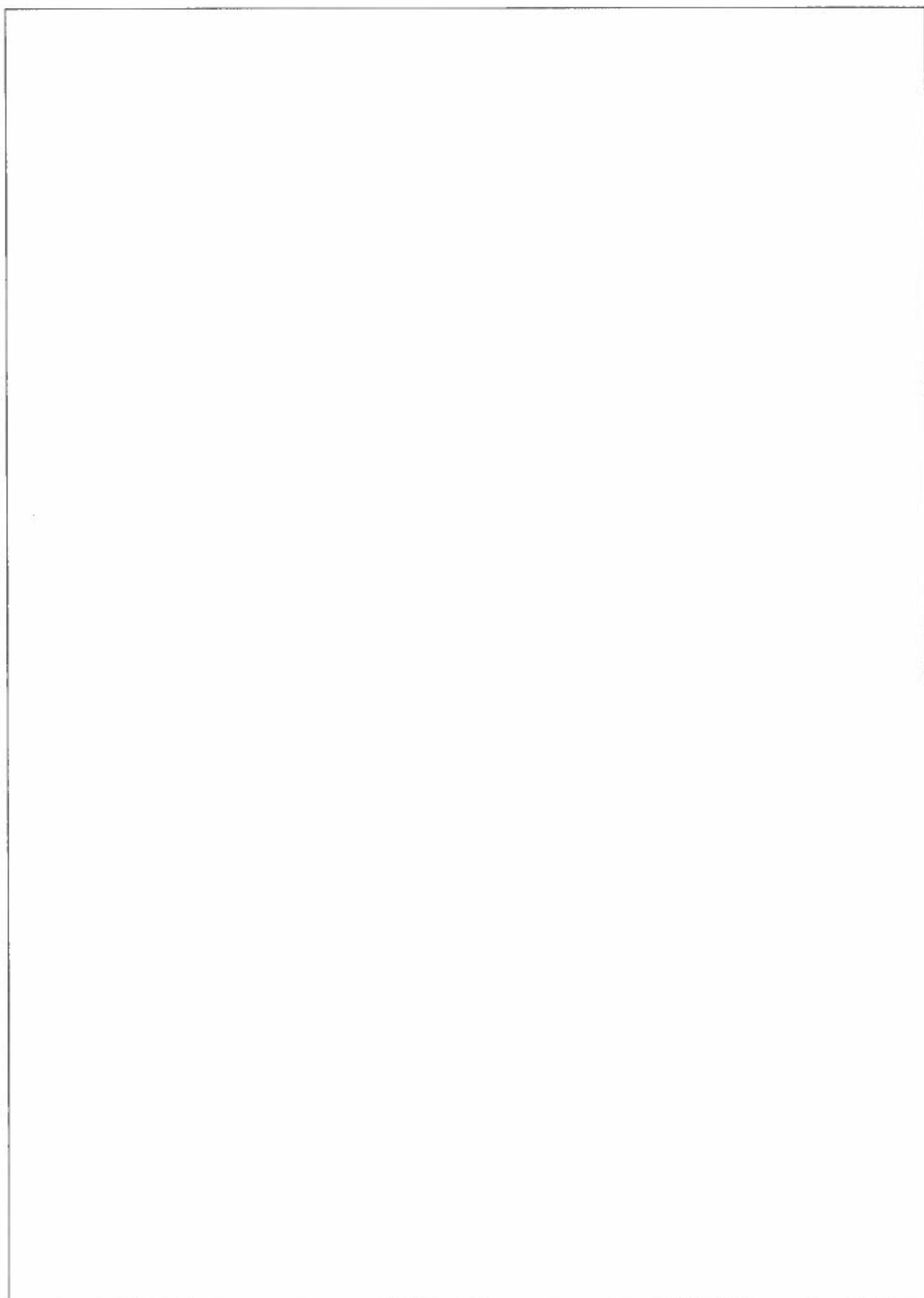


### 5 Andre mottrykksoverføringsvalse

Dato for innsetting: Jul 22, 2025  
 Ny bestilling: 008R08103  
 Anslått gjestående sider: 178500



Du finner informasjon om resirkulering på:  
[www.xerox.com/office/green](http://www.xerox.com/office/green)



# Supplies Usage

Supplies ordering information is located at [www.xerox.com/office/supplies](http://www.xerox.com/office/supplies)

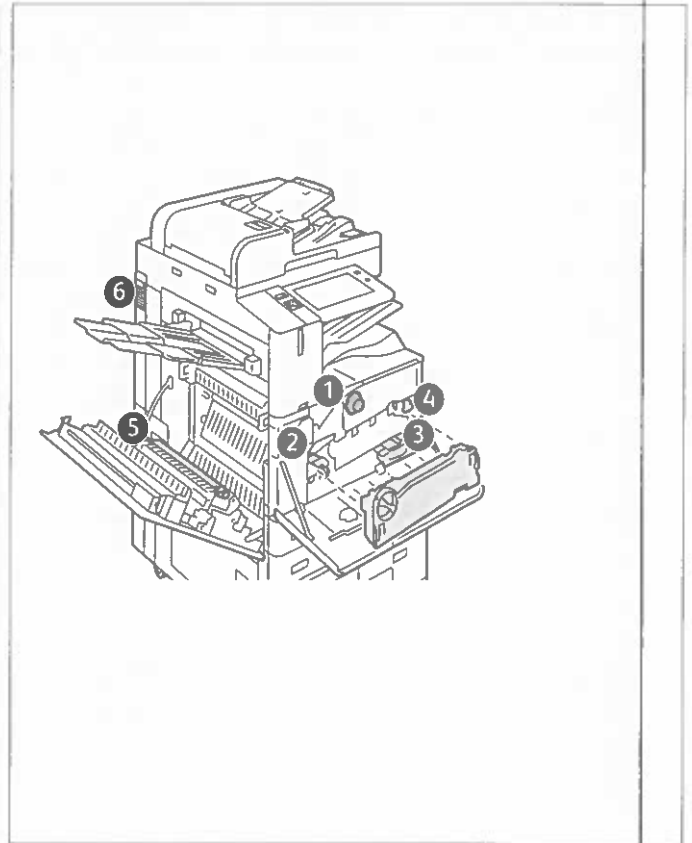
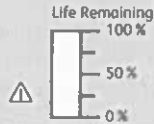
## Consumables

### 1 Toner Cartridges



**Black**

Date Installed: May 13, 2024  
Reorder: 006R01770  
Estimated Pages Remaining: 500  
(Based upon this toner cartridge's average coverage: 1 %)



## Routine Maintenance Items

### 2 Drum Cartridge



**Black (R1)**

Date Installed: Nov 9, 2024  
Reorder: 013R00686  
Estimated Pages Remaining: 155000  
(Based on average printer job size: 1 Pages)



### 3 Waste Container

Date Installed: Jul 22, 2025  
Reorder: 008R08102

**OK**



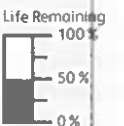
### 4 Transfer Belt Cleaner

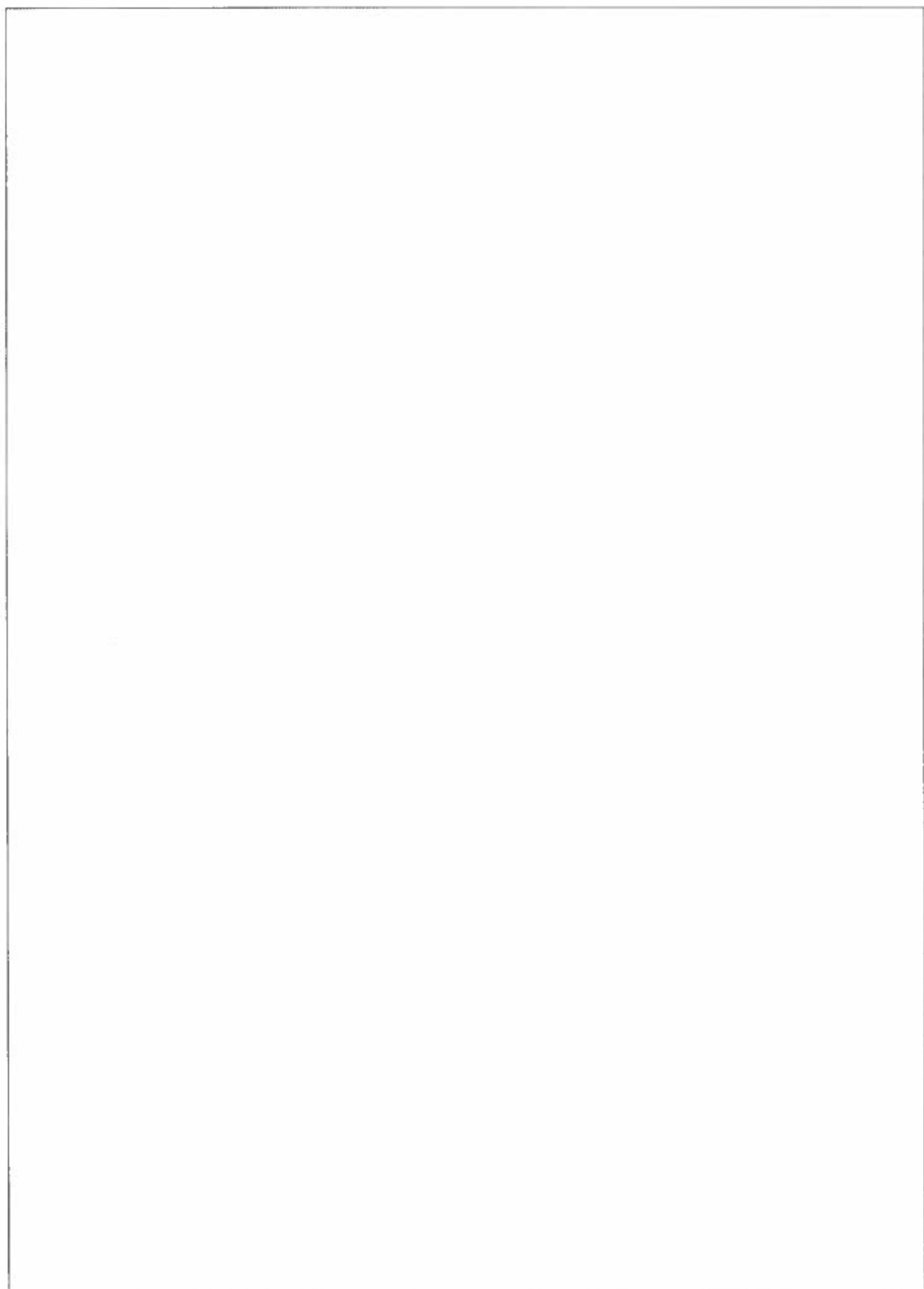
Date Installed: Jul 22, 2025  
Reorder: 001R00623  
Estimated Pages Remaining: 159000



### 5 Second Bias Transfer Roller

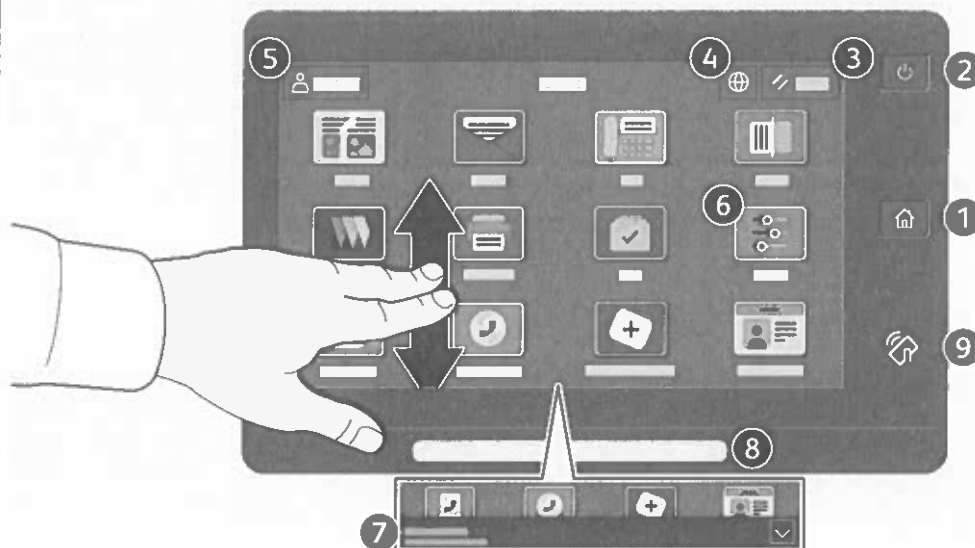
Date Installed: Jul 22, 2025  
Reorder: 008R08103  
Estimated Pages Remaining: 178500





## Control Panel

Available apps can vary based on your printer setup. For details about apps and features, refer to the *User Guide*.



- 1 **Home** returns to the main app screen.
- 2 **Power/Wake** starts the printer or provides options to sleep, restart or power off the printer.
- 3 **Reset** restores settings to their default values in all apps.
- 4 **Language** provides choice of screen languages.
- 5 **Log In** provides special access to tools and settings.
- 6 **Device app** provides access to printer information and settings.
- 7 **Notification banner** shows printer status and warnings. To see all notifications, touch the banner. To close the banner, touch the down arrow.
- 8 **Status LED** indicates printer status. For detailed information, refer to the *User Guide*.
- 9 **NFC Area** allows pairing with a mobile device to print or scan from an app.

## Device app

The Device app provides access to supplies status, printer information, and settings. Some menus and settings require log in with the administrator name and password.



## Billing and Usage Information

In the Device features menu, to view basic impression counts, touch **Billing/Usage**. To view detailed usage counts, touch **Usage Counters**. The list provides detailed impression count categories.

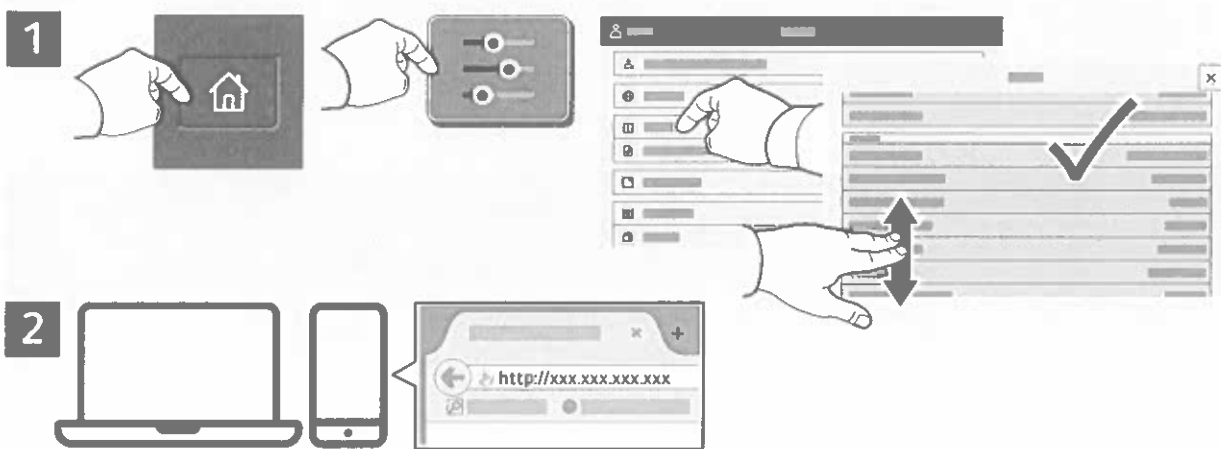


## Embedded Web Server

The Xerox® Embedded Web Server enables you to access printer configuration details, paper and supplies status, job status, and diagnostic functions over a network. You can also manage fax, email, and address books.

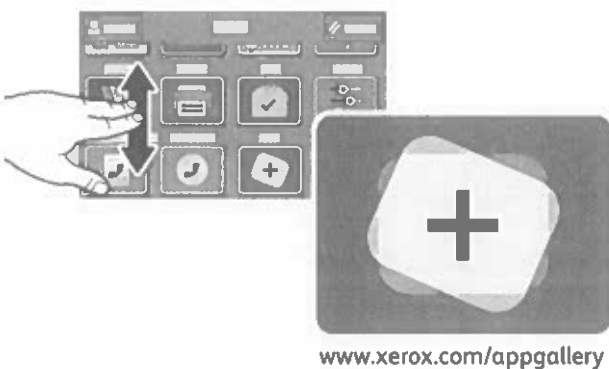
To connect, in a Web browser, type the printer IP address. The network IPv4 address is available on the control panel touch screen. Touch **Device app > About**, then scroll down.

For details on using the Embedded Web Server, refer to the *User Guide* located on [Xerox.com](http://Xerox.com).



## App Gallery

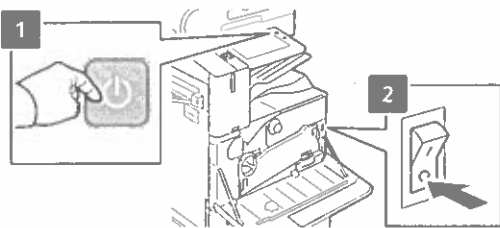
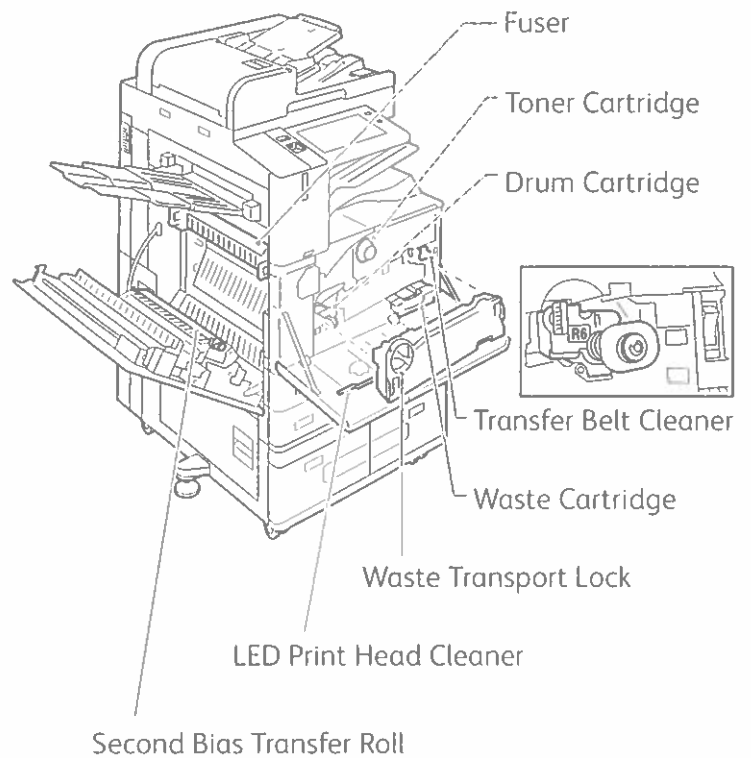
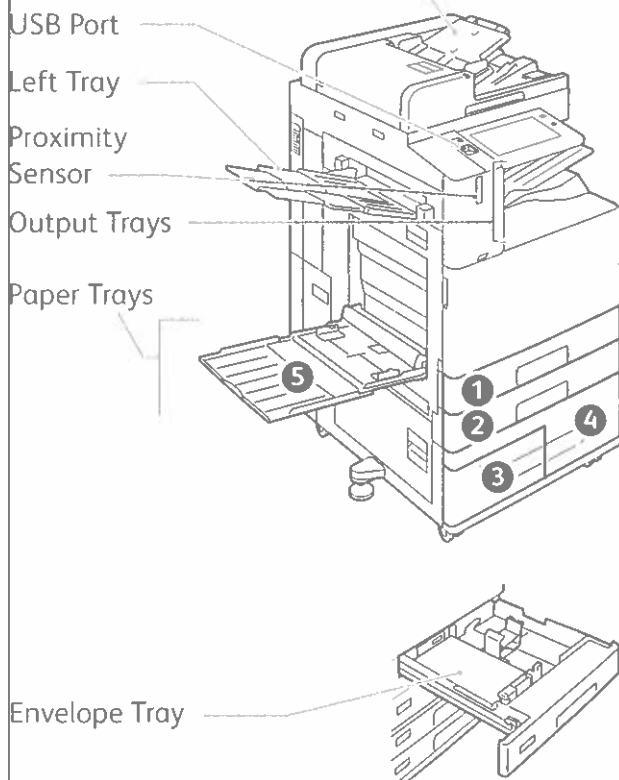
The Xerox App Gallery has a growing collection of productivity apps that you can install on your printer. Find the app on your home screen and create your login directly, or go to [www.xerox.com/appgallery](http://www.xerox.com/appgallery) to log in and add your device. To simplify app installation, use the same name for your app gallery login credentials that you used for the printer login.



# Printer Tour

Optional accessories can be part of your printer setup. For details, refer to the *User Guide*.

## Single-Pass Duplex Automatic Document Feeder (DADF)



To restart the printer, on the control panel, press the **secondary power switch** (1).

For full printer power off, press the **secondary power switch** (1). Behind the front cover, press the **main power switch** (2).

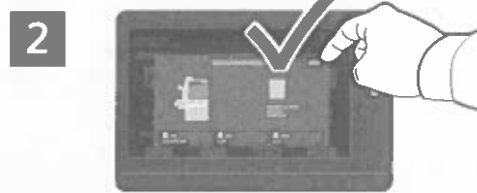
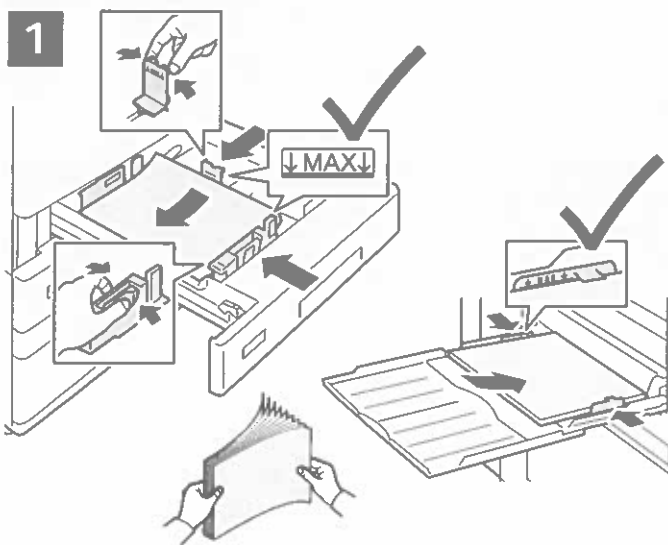
To select sleep mode, press the **secondary power switch** (1). At the printer control panel touch screen, touch a selection.

## Paper Handling

For a complete list of paper that works with your printer, see the Recommended Media List at:  
[www.xerox.com/rmlna](http://www.xerox.com/rmlna) (U. S. and Canada)  
[www.xerox.com/rmleu](http://www.xerox.com/rmleu) (Europe)

For details about trays and paper, refer to the *User Guide*.

## Loading Paper



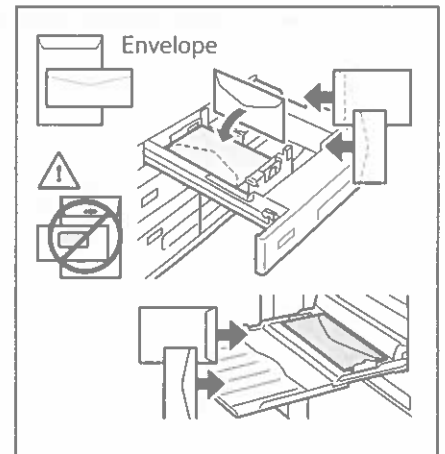
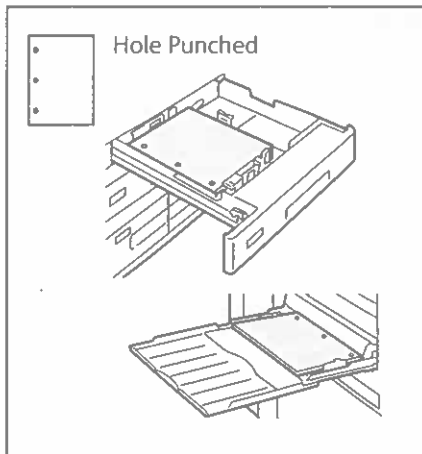
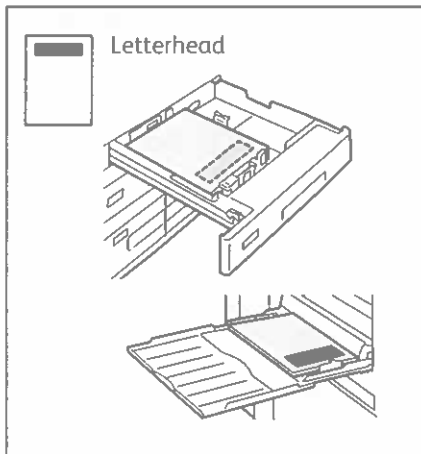
Confirm or change size, type, and color settings if needed.



For the best results, fan the edges of the paper. Adjust the guides to fit the paper size. Do not load paper above the maximum fill line.

When printing, select options in the print driver.

## Paper Orientation



# Copying

For details, refer to the *User Guide*.

1



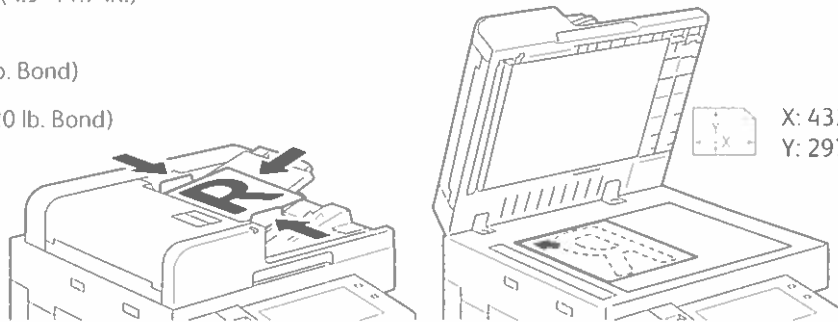
X: 85–432 mm (3.3–17 in.)  
Y: 125–297 mm (4.9–11.7 in.)



38–128 g/m<sup>2</sup>  
(26 lb. Text–34 lb. Bond)



≤130 (80 g/m<sup>2</sup>, 20 lb. Bond)  
C8170: ≤250



X: 432 mm (17 in.)  
Y: 297 mm (11.7 in.)

Load the original documents.

2



Touch **Copy**, then and select the number of copies.

3



Select feature settings from the list, then touch **Start**.



Note: Settings from previous users remain onscreen for a short time. To restore the default settings in an app, scroll to the bottom of the feature list and touch **Reset**.

## Scanning and Emailing

If the printer is connected to a network, you can select a destination for the scanned image at the printer control panel.

This guide defines techniques to scan documents without preparing special setups:

- Scanning documents to an email address.
- Scanning documents to a saved Favorite, Address Book listing, or USB Flash Drive.
- Scanning documents to the Default Public folder on the printer hard drive, and retrieving them using your Web browser.

For details and more scan setups, refer to the *User Guide*. For details about address book and workflow template setup, refer to the *System Administrator Guide*.

1



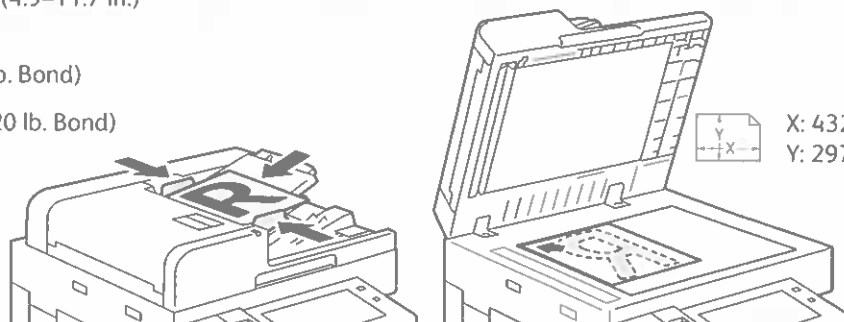
X: 85–432 mm (3.3–17 in.)  
Y: 125–297 mm (4.9–11.7 in.)



38–128 g/m<sup>2</sup>  
(26 lb. Text–34 lb. Bond)



≤130 (80 g/m<sup>2</sup>, 20 lb. Bond)  
C8170: ≤250



X: 432 mm (17 in.)  
Y: 297 mm (11.7 in.)

Load the original documents.

2

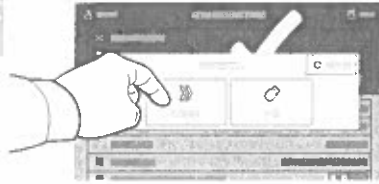


Press **Home**, then to email the scan, touch **Email**. To scan to the Default Public Folder or a USB Flash Drive, touch **Workflow Scanning**. If your scan destination is stored in the Address Book or saved as a Favorite, touch **Scan To**.

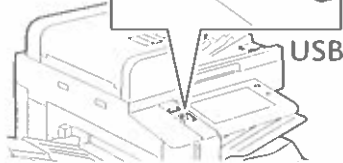
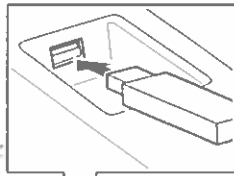
3



For Email, touch **Manual Entry**, type the email address using the touch screen keypad, then touch **Add**. To add more than one email address to the list, touch **Add Recipient**. To type a subject line for the email, touch **Subject**. To select saved email addresses, use the Device Address Book or select from Favorites.

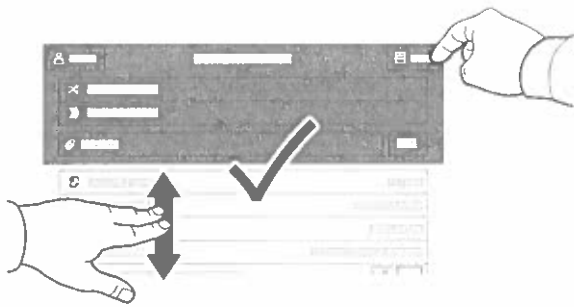


For Workflow Scanning, touch **Default Public Folder**, or insert your USB Flash Drive.

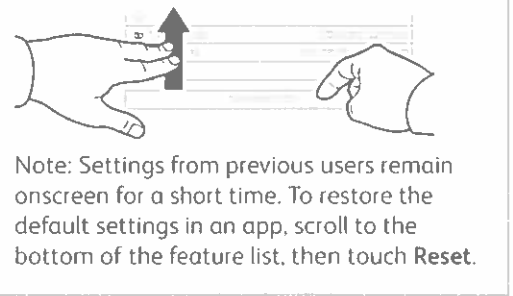


For Scan To, touch a destination type, then enter the appropriate information. To add more than one destination to the list, touch **Add Destination**.

4



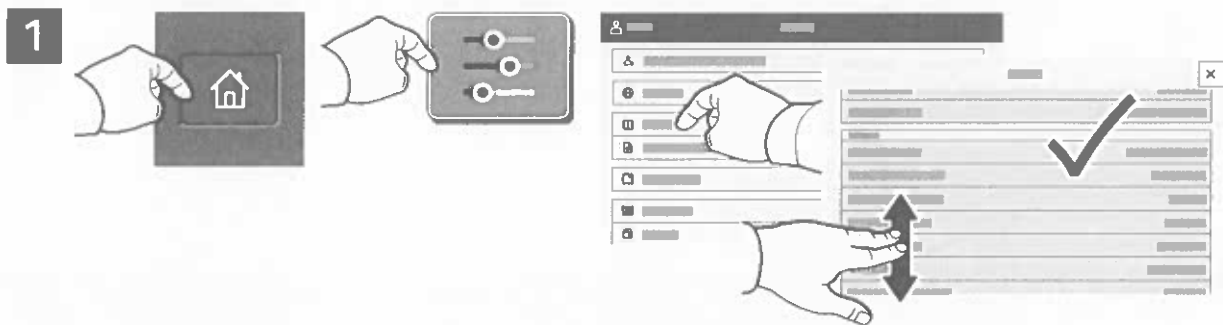
Change the settings as needed, then touch **Scan**, or for Email, touch **Send**.



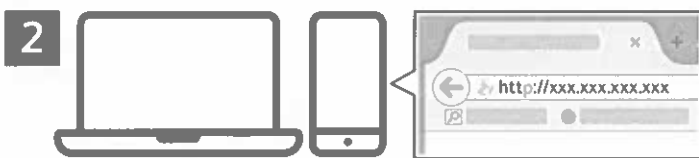
Note: Settings from previous users remain onscreen for a short time. To restore the default settings in an app, scroll to the bottom of the feature list, then touch **Reset**.

# Retrieving Scan Files

To download your scanned images from the Default Public Folder on the printer, use the Embedded Web Server. You can set up personal folders and workflow scanning templates in the Embedded Web Server. For details, refer to the *User Guide*.



Note the printer IP address on the touch screen. If the IP Address does not appear in the top of the touch screen, press Home, touch **Device** > **About** then scroll to check the IP Address.



In a Web browser, type the printer IP address, then press **Enter** or **Return**.



Click the **Scan** tab.

4



4.1

4.2

Select the **Default Public Folder**, then find your scan in the list. To download the scan, click **Go**.



To refresh the list, click **Update View**.

To save the file to your computer, select **Download**.

To print the saved file again, select **Reprint**.

To permanently remove the stored job, select **Delete**.

To open a directory, select **Open**.

## Faxing

You can send a fax in one of four ways:

- **Fax** scans the document then sends it directly to a fax machine.
- **Server Fax** scans the document then sends it to a fax server, which transmits the document to a fax machine.
- **Internet Fax** scans the document then emails it to a recipient.
- **LAN Fax** sends the current print job as a fax.

For details, refer to the *User Guide*. For details about LAN Fax, refer to the print driver software. For details about fax setup and advanced settings, refer to the *System Administrator Guide*.

1



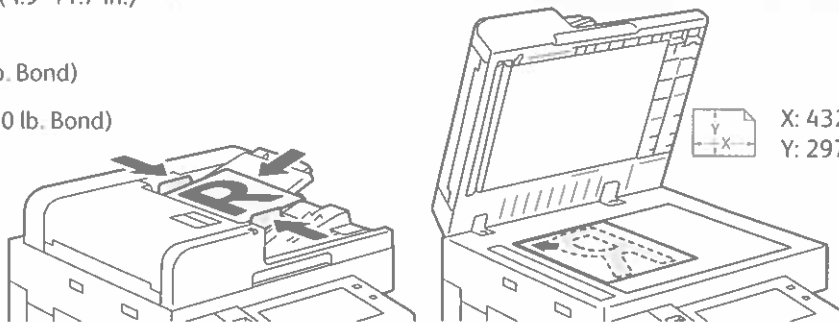
X: 85–432 mm (3.3–17 in.)  
Y: 125–297 mm (4.9–11.7 in.)



38–128 g/m<sup>2</sup>  
(26 lb. Text–34 lb. Bond)



≤130 (80 g/m<sup>2</sup>, 20 lb. Bond)  
C8170: ≤250



X: 432 mm (17 in.)  
Y: 297 mm (11.7 in.)

Load the original document.

2

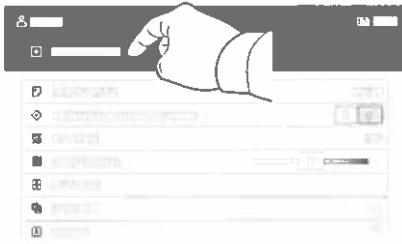


To send the fax to a fax machine, press **Home**, then touch **Fax** or **Server Fax**.

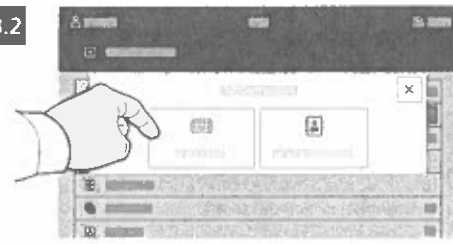
To send the fax as an email attachment, touch **Home**, then touch **Internet Fax**.

3

3.1



3.2



3.3



For fax numbers, touch **Manual Entry**, then enter the fax number using the touch screen alphanumeric keys and special characters. Touch **Add**. To add more fax numbers to the list, touch **Add Recipient**.

For Internet Fax email addresses, touch **Manual Entry**, then enter the email address using the touch screen keypad. Touch **Add**. To add more email addresses to the list, touch **Add Recipient**.

To select saved numbers, use the Device Address Book or Favorites. To select stored fax locations, use the Mailbox or Polling.

4

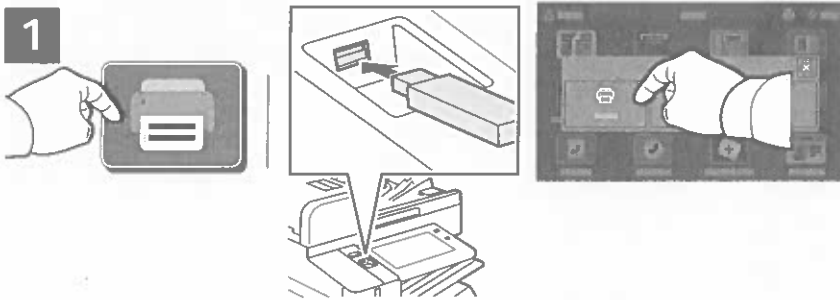


Note: Settings from previous users remain onscreen for a short time. To restore the default settings in an app, scroll to the bottom of the feature list, then touch **Reset**.

Change the settings as needed, then touch **Send**.

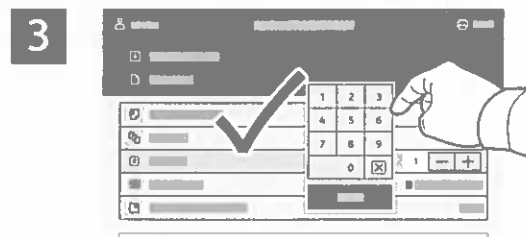
## Printing from a USB Flash Drive

You can print .pdf, .tiff, .ps, .xps and other files types directly from a USB Flash Drive. For more information, refer to the *User Guide*.



Do not remove USB Flash Drive during reading. Files may be damaged.

Touch **Print From** or insert your USB Flash Drive, then choose **Print From USB**.



To select the number of copies, touch the plus sign (+) or the minus sign (-). For larger numbers, touch **Quantity** then enter a number.

Touch **Add Document**, then navigate to your files and select them.



Select settings as needed, then touch **Print**.



Note: Settings from previous users remain onscreen for a short time. To restore the default settings in an app, scroll to the bottom of the feature list, then touch **Reset**.

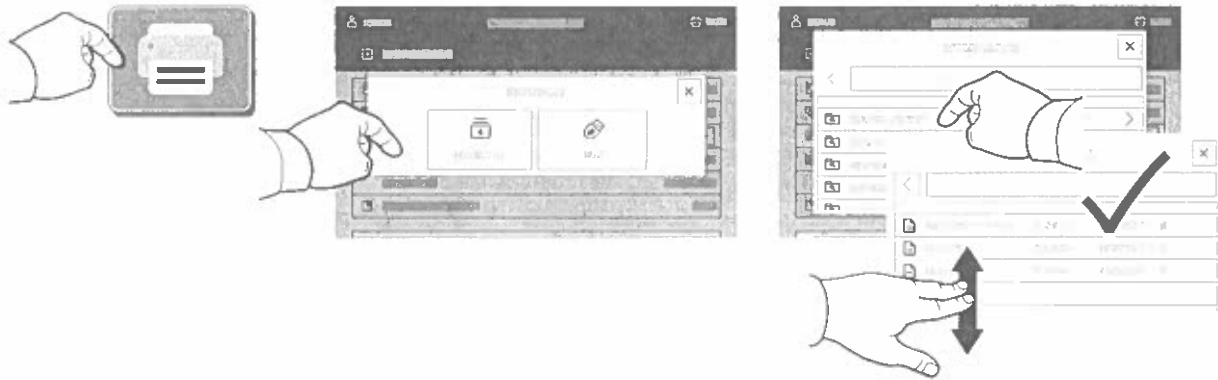
## Printing Jobs Stored on the Printer

1



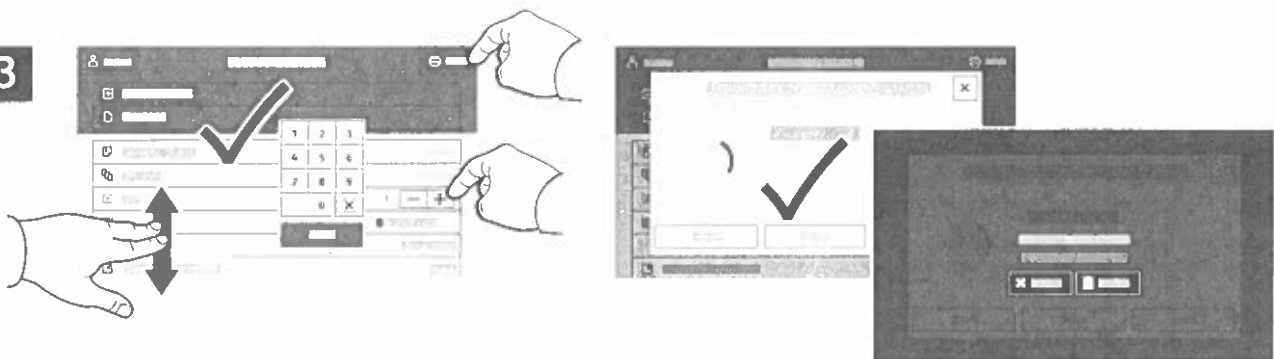
You can send a print job to save to the printer, then select the job from the printer control panel to print at a later time. Jobs can be saved in the public folder or be password protected. In the Xerox® printer driver, select **Properties** (Windows) or **Xerox Features** (Mac OS), then **Job Type**. Select **Saved Job** or **Secure Print**. For **Secure Print**, type a passcode. Click **OK** and print the job.

2



Touch **Print From** then touch **Saved Jobs**. Select the **Default Public Folder** then select your print job.

3



Select settings from the list. To select the number of copies, touch the plus sign (+) or the minus sign (-). For larger numbers, touch **Quantity** then enter a number. Touch **Print**. To delete the job, in the printing screen and confirmation screen, touch **Delete**.

## Felles brukerdata

|                                  |                                 |
|----------------------------------|---------------------------------|
| Maskinnavn:                      | Xerox AltaLink B8170 (A0:F5:8D) |
| IPV4-adresse:                    | 10.61.16.161                    |
| Maskinens serienummer:           | HHZ762811                       |
| Fakslinje 1:                     |                                 |
| URL-adresse for maskin:          | https://10.61.16.161            |
| Dato for aktivering av maskinen: | Jul 22, 2025 18:30:19           |
| Totalt antall trykk:             | 756802                          |

## Maskinprofil:

|   |  |
|---|--|
| Xerox-ID-kode                                 |  |
| Kunde-ID-kode                                 |  |
| Telefonnummer til service:                    |  |
| Nummer til Kundesupport:                      |  |
| Telefonnummer til ordrekontor for forbruks... |  |
| Systemadministrator:                          | Ikke angitt                            |
| Maskinens plassering:                         | Maskinens plassering er ikke stilt inn |
| <b>Administrert av</b>                        |  |
| Primær MB-server:                             |  |

## Maskinens maskinvare

|                                 |  |
|---------------------------------|--|
| Fakskort:                       | Ikke installert                        |
| Størrelse på faksminne:         | 0 MB                                   |
| Kort for eksternt grensesnitt:  | ikke på plass                          |
| RAM-størrelse for enhet:        | 8192 MB                                |
| Lagingsstørrelse for enhet:     | brukt = 3135MB/totalt = 500107MB (HDD) |
| Størrelse på EPC-minne:         | 512 MB                                 |
| Type etterbehandler:            | Mottaker med sideforskyvning           |
| Huler i etterbehandler          | Ingen                                  |
| Mottaker for bretteing:         | ikke på plass                          |
| Dobbeltmåling gjenkjenningssett | Ikke installert                        |

## Generelt oppsett

|  |                                |
|--|--------------------------------|
| Eksterne tjenester:                    | Aktivert                       |
| Nedlastning av eksterne programvare:   | Aktivert                       |
| Overføringstid for eksterne tjenester: | 12:28                          |
| Xerox Workplace Cloud                  | Deaktivert                     |
| E-postadvarsel:                        | Deaktivert                     |
| Serviceavtale:                         | Dosert                         |
| Faktureringsmetode for trykk:          | A3-trykk                       |
| Geografisk område                      | Østlig hemisfære               |
| Konfigurasjonsrapport ved oppstart:    | Aktivert                       |
| Greenwich middeltid (GMT):             | +05:30                         |
| Klonestallering                        | Tillatt (bare krypterte filer) |
| Tillatt utskrift av kloner:            | Aktivert                       |
| Fildeling                              | Aktivert                       |
| JBIG2                                  | Uten top                       |

## Strømsparing

|                           |                 |
|---------------------------|-----------------|
| Dyp dvalemodus:           | Aktivert        |
| Strømsparingsmodus:       | Jobbaktivert    |
| Tidstaker for dvalemodus: | 100 minutt(fer) |
| Auto. av:                 | Deaktivert      |

## Smart nærhetssensor

|                                |            |
|--------------------------------|------------|
| Aktiver ved ankomst:           | Aktivert   |
| Dvalemodus ved avsluttet jobb: | Deaktivert |
| Maksimer registreringsområde:  | Deaktivert |

## Programvareversjoner

|                                      |                   |
|--------------------------------------|-------------------|
| Programvare for enheten:             | 122.014.025.20410 |
| Oppdatering-versjon:                 | Ingen             |
| Nettverkskontroller:                 | 122.014.20410     |
| Fastvare for brukergrensesnittpanel: | 003.004.00000     |
| Bruker grensesnitt:                  | 122.014.20410     |
| Trykkenalhet:                        | 064.022.000       |
| Kopierkontroller:                    | 122.014.20410     |
| Originalmater:                       | 001.035.000       |
| Etterbehandler:                      | 000.000.000       |
| Faks:                                | 000.000.000       |
| OS:                                  | 122.025.19910     |
| Skanner:                             | 017.024.015       |
| Programvareoppgradering:             | 122.014.20410     |

Magasin 2:

Magasin 3:

Magasin 4:

## Maskinoppgraderinger:

|   |                       |
|---|-----------------------|
| Sikte vellykkede oppgradering:          | Tillatt               |
| Planlagte automatiske oppgraderinger:   | Jul 28, 2025 18:53:26 |
| Starttidspunkt for automatisk oppgra... | Deaktivert            |
| Server for automatisk oppgradering:     | Hver dag              |
|   | 0.0.0.0:21            |

## Papirmagasiner

|                 |   |
|-----------------|---|
| Magasin 1:      | Vanlig, Hvit and A4 (210 x 297 mm)      |
| Magasin 2:      | Vanlig, Hvit and A4 (210 x 297 mm)      |
| Magasin 3:      | Vanlig, Hvit and A4 (210 x 297 mm)      |
| Magasin 4:      | Vanlig, Hvit and Executive (7,25 x 1... |
| Spesialmagasin: | Vanlig, Hvit and A4 (210 x 297 mm)      |

## Tilkopling

## Mobile arbeidsflyter

|   |                 |
|---|-----------------|
| AirPrint-utskrift:                      | Aktivert        |
| Mopria-utskrift:                        | Aktivert        |
| AirPrint-/Mopria-skanning               | Aktivert        |
| Godkjenning nødvendig:                  | Deaktivert      |
| Universell utskrift:                    | Deaktivert      |
| Universell utskriftsregistreringsstatus | Ikke registrert |

## Fysisk tilkopling

|   |                   |
|---|-------------------|
| USB-innstillinger                       |                   |
| USB-porter (type A)                     | Alle er aktivert  |
| USB-port (type B)                       | Aktivert          |
| Ledningstilkoplet:                      | Aktivert          |
| MAC-adresse for Ethernet:               | 9c:93:4e:a0:f5:bd |
| Innstilling for Ethernet-hastighet/d... | automatisk        |
| Trådløs:                                | Deaktivert        |

|   |                 |
|---|-----------------|
| Trådløs MAC-adresse:                    |                 |
| Nettverksnavn (SSID):                   |                 |
| BSSID:                                  |                 |
| Sikkerhetsmodus:                        |                 |
| Krypteringsalgoritme:                   |                 |
| Status:                                 |                 |
| Wi-Fi Direct:                           | Aktivert        |
| Maskinvare for trådløs:                 | Ikke installert |
| Wi-Fi Protected Setup™ Navn (WPS):      |                 |
| Tilkoplingsmetode:                      |                 |
| Prefiksadresse for delnett:             |                 |
| Tilgangspunkt (SSID):                   |                 |
| Vis passord på maskinens berøringsk...  |                 |
| NFC:                                    | Aktivert        |
| iBeacon (Bluetooth®) for AirPrint-op... | Aktivert        |
| iBeacon-maskinvare:                     | Ikke installert |
| Bluetooth-enhetadresse:                 |                 |
| iBeacon-IP-adresse:                     |                 |

## Protokoller

## TCP/IPV4:

|                                    |          |                         |
|------------------------------------|----------|-------------------------|
| IPV4-adresse:                      | Aktivert | 10.61.16.161            |
| Nettverksmaske:                    |          | 255.255.255.0           |
| Ruter/gateway:                     |          | 10.61.16.1              |
| Automatisk adressering:            |          | DHCP                    |
| DHCP-server:                       |          | 10.61.13.224            |
| Utløpsdato for DHCP-leieavtale:    |          | Mon Aug 4 19:50:28 2025 |
| BOOTP-grupperending:               |          | Deaktivert              |
| Status for adresse tilordnet selv: |          | Aktivert                |
| Adresse tilordnet selv:            |          |                         |

## TCP/IPV6:

|                                      |          |                                  |
|--------------------------------------|----------|----------------------------------|
| Kopplingslokal adresse:              | Aktivert | fe80::9e93:4eff:fea0:f5bd        |
| Bruk prefiks som er angitt av ruter: | Aktivert |                                  |
| Tilstandsløs global adresse 1:       | ::       |                                  |
| Tilstandsløs global adresse 2:       | ::       |                                  |
| Manuell adresse:                     |          |                                  |
| DHCP-adressering:                    |          | Bruk DHCP som angitt av en ruter |
| DHCP-adresse:                        |          | fd00:0:2:116:a337:c120:d7e2:bfc  |
| Standard gateway:                    |          | fe80::8afc:5dff:fe75:e282        |
| DUID (unik DHCP-identifikator):      |          | 000300019c934e0f5bd              |

## DNS-innstillinger:

|   |                                     |
|---|-------------------------------------|
| Forespurt vertsnavn:                        | XRXC9C34EA0F5BD                     |
| Bekreftet vertsnavn:                        |                                     |
| Forespurt domenenavn:                       |                                     |
| Bekreftet domenenavn:                       |                                     |
| Multicast-DNS:                              | Aktivert                            |
| Frigi DHCP-leasingavtaler og DNS-registr... | Deaktivert                          |
| Primær DNS-server:                          | 10.61.7.16                          |
| Alternativ DNS-server 1:                    | 10.61.10.6                          |
| Alternativ DNS-server 2:                    | 10.61.7.15                          |
| Tidsavbrudd for DNS-tilkopling:             | 5                                   |
| Legg til maskindomene:                      | Aktivert                            |
| Legg til overordnede domener:               | Deaktivert                          |
| Søkeliste for DNS-domene:                   | 10.61.10.6, 10.61.10.7, XEROXQA.COM |
| Foretrekk IPv6 DNS fremfor IPv4:            | Aktivert                            |

## Installerte alternativer

|     |            |
|-----|------------|
| PS: | Installert |
|-----|------------|

## Protokoller (forts.)

## Apper

| Banjour:  |                                    | Utskrift   |  |
|---|------------------------------------|--|--|
| Banjour-skrivermodell: Xerox AltaLink B8170 (A0.7.5.BD) |                                    | Aktivert   |  |
| HTTP:   |                                    | Deaktivert                                       |  |
| Portnummer:   | 80                                 | 3 Day(s) 0 Hour(s) 0 Minute(s)                   |  |
| Tving trafikk over sikker tilkopling:                   | Ja                                 | Aktivert   |  |
| Sikkert HTTP-portnummer:                                | 443                                | Aktivert   |  |
| Proxyserver:  | Manuell                            | 1,2,3,4,5  |  |
| Adresse til proxyserver:                                | 10.177.8.91.8080                   | 1  |  |
| IPP:  | Aktivert                           | Prøvetrykk                                       |  |
| Sikker IPP-modus:                                       | IPP og sikker IPPS                 | x=210mm, y=297mm                                 |  |
| IPP-nettverksbane:                                      | http://10.61.16.161:631            | Hvit   |  |
| SNMP  |                                    | 1 -sidig   |  |
| SNMP v1/v2:   | Aktivert                           | Hovedmottaker                                    |  |
| SNMP v3:  | Deaktivert                         | Sort-hvitt                                       |  |
| LPR/LPD:  |                                    | Aktivert   |  |
| Portnummer:   | 515                                | Egen stifter                                     |  |
| PDL-veksling:   | Deaktivert                         | Forskyvning mellom jobber                        |  |
| Overstyring av PDL-forside:                             | Deaktivert                         | Installert                                       |  |
| Raw IP-utskrift:  |                                    | 3  |  |
| Portnummer 1:   | 9100                               | 2021.101   |  |
| Toves:  | Deaktivert                         | Standard   |  |
| Tidsavbrudd for jobbavslutning:                         | 300                                |  |  |
| PDL-veksling:   | Deaktivert                         |  |  |
| LDAP  |                                    | PCL  |  |
| Fullt navn for LDAP-server 1:                           |                                    | Versjon:   |  |
| Primær LDAP-adresse for LDAP-server 1:                  | 0.0.0.0:389                        | Tegnstørrelse:                                   |  |
| Alternativ LDAP-adresse for LDAP-server 1:              | 0.0.0.0:389                        | 10.00  |  |
| Rutbanen til søkekatalogen for LDAP-server 1:           |                                    | Punktstørrelse:                                  |  |
| Sikker tilkopling (LDAPS) til LDAP-server 1:            | Deaktivert                         | 12.00  |  |
| Bekreft serversertifikat (klarert, ikke utle):          | Deaktivert                         | Skiftnavn:                                       |  |
|   |                                    | Causer   |  |
|   |                                    | 64   |  |
|   |                                    | Aktivert   |  |
|   |                                    | Ikke installert                                  |  |
|   |                                    | Ikke installert                                  |  |
| SMTP  |                                    | Faks:  |  |
| SMTP-server:  | 0.0.0.0:25                         | Fakslinje 1:                                     |  |
| Kryptering av tilkopling (TLS):                         | Ingen kryptering                   | Fakslinje 2:                                     |  |
| Valider serversertifikat (TLS):                         |                                    | Serverfaks:                                      |  |
| Maks meldingsstørrelse (kB):                            | 10240                              | Sendekvitteing:                                  |  |
| Antall fragmenter:                                      | 1                                  | Bare ved feil                                    |  |
| Total jobbstørrelse (kB):                               | 300000                             | Utsatt start:                                    |  |
| Grense for oppdeling av jobb:                           | Sidegrense                         | Deaktivert                                       |  |
| Påloggingsinformasjon for automatisk e-post:            | Ingen                              | FTP  |  |
| Påloggingsinformasjon for lokal bruker:                 | Ingen                              | 0.0.0.0  |  |
| SMTP-oppkjenningstype:                                  | Grunnleggende godkjenning med SMTP | Skanning med maler:                              |  |
| POP3  |                                    | Sendekvitteing:                                  |  |
| POP3-server:  | 0.0.0.0:110                        | Bare ved feil                                    |  |
| Sikker POP3-tilkopling (TLS):                           | Deaktivert                         | FTP  |  |
| E-postadresse:  |                                    | 0.0.0.0  |  |
| Valider POP3-serversertifikat:                          | Deaktivert                         | Protokoll for standard lagringssted:             |  |
| Mottak av e-post via POP3:                              | Aktivert                           | Server for standard lagringssted:                |  |
| Send bekreftelse på forespørsel:                        | Aktivert                           | Dokumentbane for standard lagringssted:          |  |
| Forside for innkommet e-post:                           | Deaktivert                         | Påloggingsinformasjon for standard lagringssted: |  |
|   |                                    | Enhet  |  |
|   |                                    | FTP  |  |
|   |                                    | 0.0.0.0  |  |
|   |                                    | Protokoll for alt lagringssted 1:                |  |
|   |                                    | Server for alt lagringssted 1:                   |  |
|   |                                    | Dokumentbane for alt lagringssted 1:             |  |
|   |                                    | Påloggingsinformasjon for alt lagringssted 1:    |  |
|   |                                    | Enhet  |  |
|   |                                    | FTP  |  |
|   |                                    | 0.0.0.0  |  |
|   |                                    | Protokoll for lagring av arbeidsflyt:            |  |
|   |                                    | Server for lagring av arbeidsflyt:               |  |
|   |                                    | Bane for lagring av arbeidsflyt:                 |  |
|   |                                    | Aktivert   |  |
|   |                                    | E-post:  |  |
|   |                                    | Standard Fra-adresse:                            |  |
|   |                                    | Sendekvitteing:                                  |  |
|   |                                    | Bare ved feil                                    |  |
|   |                                    | Deaktivert                                       |  |
|   |                                    | Send automatisk til meg selv:                    |  |
|   |                                    | Deaktivert                                       |  |
|   |                                    | E-postsikkerhet:                                 |  |
|   |                                    | Deaktivert                                       |  |
|   |                                    | Skann til postboks:                              |  |
|   |                                    | Vis postbokser som standard:                     |  |
|   |                                    | Aktivert   |  |
|   |                                    | Lagringsskapasitet (MB):                         |  |
|   |                                    | 23443 MB   |  |
|   |                                    | Brukt lagringsplass (MB):                        |  |
|   |                                    | 1217 MB  |  |
|   |                                    | Rensing av fellesmapper:                         |  |
|   |                                    | Aktivert   |  |
|   |                                    | Rensing av opprettede mapper:                    |  |
|   |                                    | Aktivert   |  |
|   |                                    | Rensetidspunkt:                                  |  |
|   |                                    | Hver dag   |  |
|   |                                    | Skann til hjem:                                  |  |
|   |                                    | Fullt navn:                                      |  |
|   |                                    | Deaktivert                                       |  |
|   |                                    | Navn på arbeidsflyt:                             |  |
|   |                                    | Automatisk opprettelse av underkatalog:          |  |
|   |                                    | Deaktivert                                       |  |
|   |                                    | Føy brukernavn til bane:                         |  |
|   |                                    | Deaktivert                                       |  |
|   |                                    | Autom opprettelse av brukernavnkatalog:          |  |
|   |                                    | Deaktivert                                       |  |
|   |                                    | Skann til:                                       |  |
|   |                                    | Aktivert   |  |
|   |                                    | Skytjenester:                                    |  |
|   |                                    | Deaktivert                                       |  |
|   |                                    | Skriv ut fra:                                    |  |
|   |                                    | Aktivert   |  |
|   |                                    | Lagrede jobber for ny utskrift:                  |  |
|   |                                    | Aktivert   |  |
|   |                                    | Skriv ut fra USB:                                |  |
|   |                                    | Deaktivert                                       |  |
|   |                                    | Skriv ut fra postboks:                           |  |
|   |                                    | Deaktivert                                       |  |
|   |                                    | Skytjenester:                                    |  |
|   |                                    | Deaktivert                                       |  |

## Kontering

Konteringsmodus: Ingen  
 Kontering via nettværk: Deaktivert

## Sikkerhet

## Godkjenningsskonfigurasjon

Godkjenning av maskinens brukergrens... Lokalt på maskinen  
 Hjem: Ulåst  
 Jobber: Ulåst  
 Enhet: Ulåst

Godkjenning av enhetens nettside: Lokalt på maskinen  
 Godkjenning: Lokalt på maskinen  
 Hent e-post fra LDAP: Aktivert

## Godkjenningsserver:

Kerberos  
 Primært område (realm) for Kerberos:  
 Primæradresse for Kerberos: 0.0.0.0:88  
 Område (realm) for alt. Kerberos 1:  
 Adresse for alt. Kerberos 1: 0.0.0.0:88  
 NT-domene for SMB:  
 NT-domene for alt. SMB 1:  
 Kontrollerserver for smartkort: 0.0.0.0:443  
 Kontrollerdomene for smartkort:  
 URL-adresse for smartkort-OCSP:  
 Kriterier for oppgradering av kortle... Aktivert  
 Fastvareversjonen til kortleseren:

## Xerox Secure Access:

Deaktivert  
 Secure Access-server: 0.0.0.0:443  
 Secure Access-bane:

## Kontrolllogg:

Aktivert

## IPsec:

Deaktivert

## IP-filtrering:

Deaktivert

## Sikkerhetssertifikater

Maskinens sertifikat: Signert  
 Installerte rotsertifikater: 55

## 802.1x:

Deaktivert

## Bildeoverskriving

Umiddelbar: Installert/aktivert  
 Planlagt: Deaktivert  
 Planlagt hyppighet:

## FIPS 140-3:

Deaktivert

## TLS:

TLS 1.1 og TLS 1.2  
 SHA-1, SHA-256 og over

## Trellix innebygd kontroll:

Utvidet sikkerhet

## Installasering av utvidbar tjeneste

Tredje generasjons nettleser: X3G\_3.24.23\_2405\_011\_01.00.00  
 Kontrollprogramversjon: v1.3.17 c8 20140613  
 Kontrollprogramversjon: v2.5.04 g9 20240123

