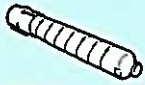


Supplies Usage

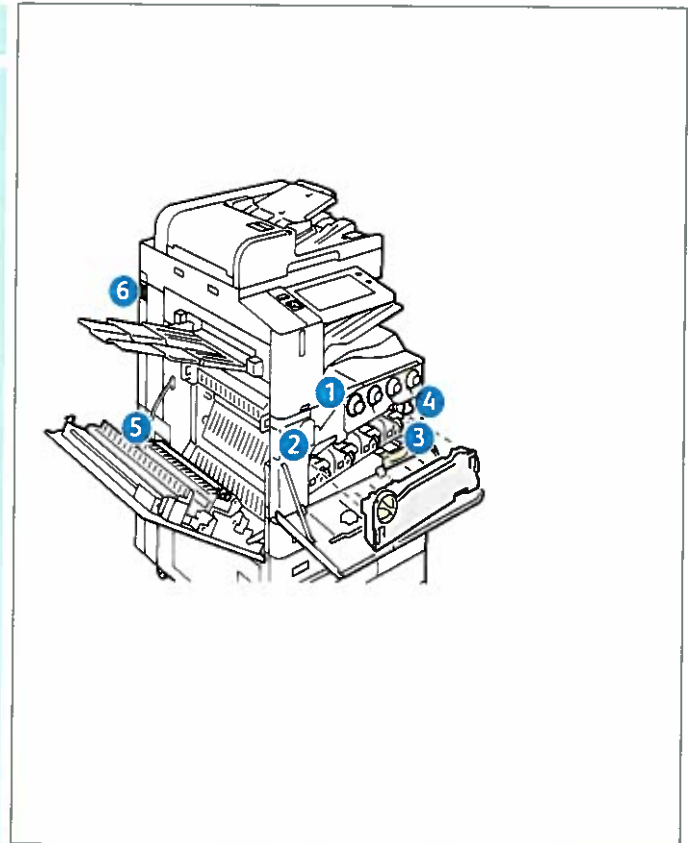
Supplies ordering information is located at www.xerox.com/office/supplies

Consumables

1 Toner Cartridges



Black Date Installed: Mar 12, 2025 Reorder: 006R01742 Estimated Pages Remaining: 36000 (Based upon this toner cartridge's average coverage: 1%)	Life Remaining 100% 50% 0%
Cyan Date Installed: Mar 12, 2025 Reorder: 006R01743 Estimated Pages Remaining: 21000 (Based upon this toner cartridge's average coverage: 0%)	Life Remaining 100% 50% 0%
Magenta Date Installed: Mar 12, 2025 Reorder: 006R01744 Estimated Pages Remaining: 21000 (Based upon this toner cartridge's average coverage: 0%)	Life Remaining 100% 50% 0%
Yellow Date Installed: Mar 12, 2025 Reorder: 006R01745 Estimated Pages Remaining: 21000 (Based upon this toner cartridge's average coverage: 0%)	Life Remaining 100% 50% 0%



Routine Maintenance Items

2 Drum Cartridge



Black (R1) Date Installed: Aug 20, 2018 Reorder: 013R00681 Estimated Pages Remaining: 140000 (Based on average printer job size: 1 Pages)	Life Remaining 100% 50% 0%
Cyan (R2) Date Installed: Aug 20, 2018 Reorder: 013R00681 Estimated Pages Remaining: 150000 (Based on average printer job size: 1 Pages)	Life Remaining 100% 50% 0%
Magenta (R3) Date Installed: Aug 20, 2018 Reorder: 013R00681 Estimated Pages Remaining: 150000 (Based on average printer job size: 1 Pages)	Life Remaining 100% 50% 0%
Yellow (R4) Date Installed: Oct 27, 2021 Reorder: 013R00681 Estimated Pages Remaining: 164500 (Based on average printer job size: 1 Pages)	Life Remaining 100% 50% 0%

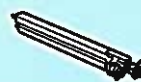
3 Waste Container



Date Installed: Mar 12, 2025
 Reorder: 008R08101

OK

4 Transfer Belt Cleaner



Date Installed: Jan 22, 2024
 Reorder: 001R00623
 Estimated Pages Remaining: 149000



5 Second Bias Transfer Roller



Date Installed: Jan 22, 2024
 Reorder: 008R08103
 Estimated Pages Remaining: 349000

