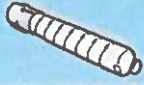


Supplies Usage

Supplies ordering information is located at www.xerox.com/office/supplies

Consumables

1 Toner Cartridges



Black

Date Installed: Unknown
Reorder: Unknown

Life Remaining: 0% (indicated by a red 'X' icon)

Cyan

Date Installed: Jan 1, 2021
Reorder: 006R01743
Estimated Pages Remaining: 9000
(Based upon this toner cartridge's average coverage: 0%)

Life Remaining: 100%

Magenta

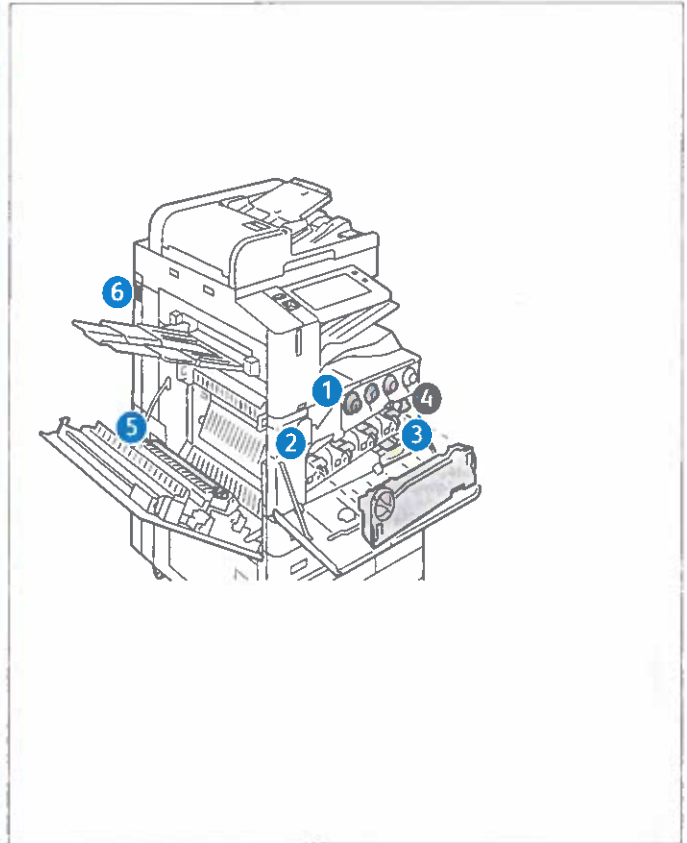
Date Installed: Feb 29, 2024
Reorder: 006R01744
Estimated Pages Remaining: 500
(Based upon this toner cartridge's average coverage: 0%)

Life Remaining: 50% (indicated by a yellow warning triangle icon)

Yellow

Date Installed: Mar 12, 2025
Reorder: 006R01745
Estimated Pages Remaining: 20500
(Based upon this toner cartridge's average coverage: 0%)

Life Remaining: 100%



Routine Maintenance Items

2 Drum Cartridge



Black (R1)

Date Installed: Mar 10, 2023
Reorder: 013R00681
Estimated Pages Remaining: 138000
(Based on average printer job size: 1 Pages)

Life Remaining: 100%

Cyan (R2)

Date Installed: Apr 10, 2023
Reorder: 013R00681
Estimated Pages Remaining: 146500
(Based on average printer job size: 1 Pages)

Life Remaining: 100%

Magenta (R3)

Date Installed: Jan 3, 2021
Reorder: 013R00681
Estimated Pages Remaining: 164500
(Based on average printer job size: 1 Pages)

Life Remaining: 100%

Yellow (R4)

Date Installed: Mar 10, 2023
Reorder: 013R00681
Estimated Pages Remaining: 130000
(Based on average printer job size: 1 Pages)

Life Remaining: 100%

3 Waste Container



Date Installed: Apr 16, 2025
Reorder: 008R08101

OK

4 Transfer Belt Cleaner



Date Installed: Apr 16, 2025
Reorder: 001R00623
Estimated Pages Remaining: 157500

Life Remaining: 100%

5 Second Bias Transfer Roller



Date Installed: Apr 16, 2025
Reorder: 008R08103
Estimated Pages Remaining: 357500

Life Remaining: 100%