

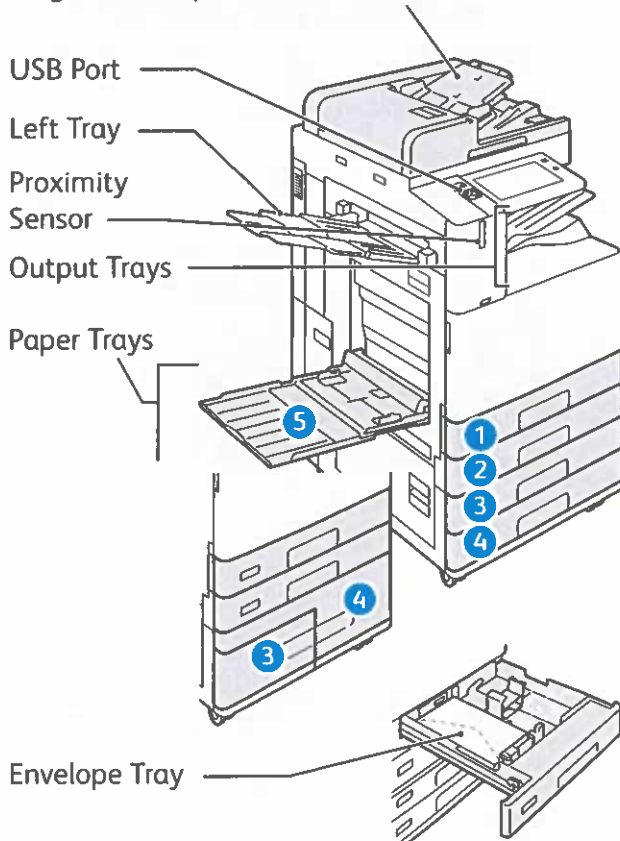
Xerox® AltaLink® C8230/C8235/C8245/C8255/C8270  
Color Multifunction Printer

**xerox™**

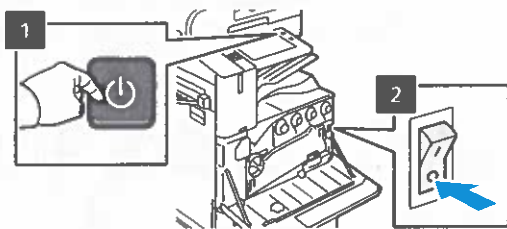
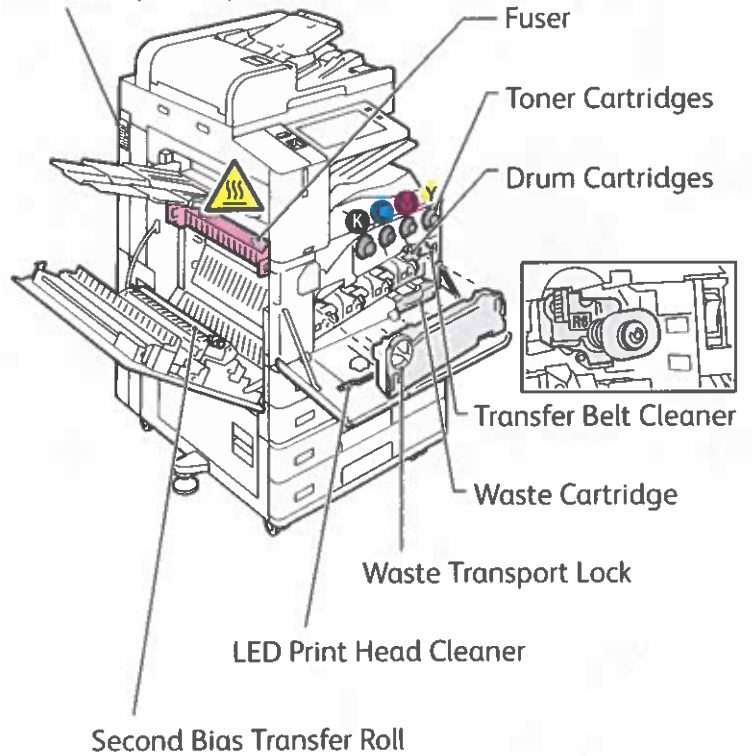
## Printer Tour

Optional accessories can be part of your printer setup. For details, refer to the *User Guide*.

### Single-Pass Duplex Automatic Document Feeder (DADF)



### Fan Filter (C8270)



To restart the printer, on the control panel, press the **secondary power switch** (1).

For full printer power off, press the **secondary power switch** (1). Behind the front cover, press the **main power switch** (2).

To select sleep mode, press the **secondary power switch** (1). At the printer control panel touch screen, touch a selection.