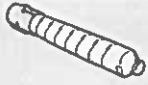


Supplies Usage

Supplies ordering information is located at www.xerox.com/office/supplies

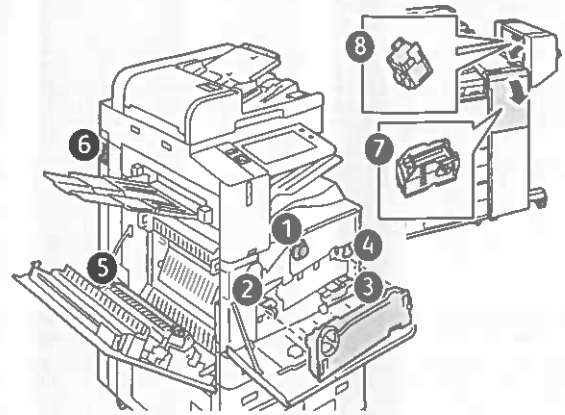
Consumables

1 Toner Cartridges



Black

Date Installed: Unknown
Reorder: 006R01770
Estimated Pages Remaining: 34500
(Based upon this toner cartridge's average coverage: 0%)



7 Staple Refill



Reorder: 008R12941

OK

8 Staple Pack

Reorder: 008R12897

OK

Routine Maintenance Items

2 Drum Cartridge



Black (R1)

Date Installed: Dec 11, 2024
Reorder: 013R00686
Estimated Pages Remaining: 197000
(Based on average printer job size: 1 Pages)



3 Waste Container

Date Installed: Unknown
Reorder: 008R08101

OK



4 Transfer Belt Cleaner

Date Installed: Unknown
Reorder: 001R00623
Estimated Pages Remaining: 159000



5 Second Bias Transfer Roller

Date Installed: Unknown
Reorder: 008R08103
Estimated Pages Remaining: 359000

