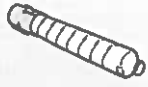


Supplies Usage

Consumables

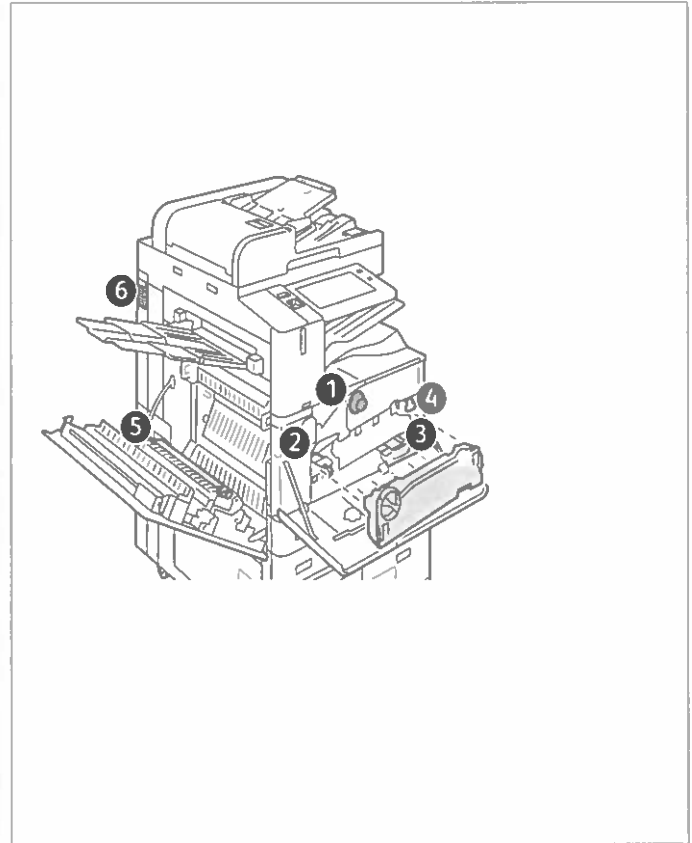
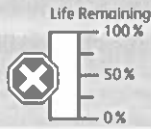
1 Toner Cartridges



Black

Date Installed: Unknown
 Reorder: Unknown
 Estimated Pages Remaining:
 (Based upon this toner cartridge's average coverage:)

Third Party Toner Made. Toner status has been disabled.



Routine Maintenance Items

2 Drum Cartridge



Black (R1)

Date Installed: Nov 9, 2024
 Reorder: 013R00686
 Estimated Pages Remaining: 175500
 (Based on average printer job size: 1 Pages)



3 Waste Container

Date Installed: Jan 22, 2025
 Reorder: 008R08101

OK



4 Transfer Belt Cleaner

Date Installed: Jan 22, 2025
 Reorder: 001R00623
 Estimated Pages Remaining: 58665000



5 Second Bias Transfer Roller

Date Installed: Jan 22, 2025
 Reorder: 008R08103
 Estimated Pages Remaining: 9888000

