

Common User Data

Machine Name: Xerox VersaLink C625 Color MFP (A7:A...  
IP Address: 10.61.15.164  
Machine Serial Number: 5322480247  
Fax Line1:  
Machine URL: https://10.61.15.164  
Machine Activation Date: Jan 01, 1970 05:30:00  
Black Impressions: 1241  
Color Impressions: 956  
Total Impressions: 2197

Machine Profile

Xerox Asset Tag:  
Customer Asset Tag:  
Service Phone Number:  
Customer Support Number:  
Supplies Phone Number:  
System Administrator: System Administrator name not set  
Machine Location: machine location not set

Managed By

Primary MB Server:

Machine Hardware

Fax Card: Not Present  
Fax Memory Size: 0 MB  
Foreign Interface Card: not present  
Device RAM Size: 3904 MB  
Device Storage Size: used=2972MB/total=13925MB (eMMC)  
EPC Memory Size: 187 MB  
Productivity Kit: Not Installed  
Finisher Type: Simple Catch Tray  
Finisher Punch: None  
Finisher Folder: not present  
Multi-feed Detection Kit: Not Installed

General Setup

Remote Services: Enabled  
Remote Software Download: Enabled  
Remote Services Trans. Time: 11:10  
Xerox Workplace Cloud: Enabled  
E-mail Alerts: Disabled  
Service Plan: Metered  
Geographic Region: unknown  
GMT Offset: +05:30  
Cloning Installation: Allowed (Encrypted Files Only)  
File Sharing: Enabled  
JBIG2: Lossless  
Energy Saver: Enabled  
Deep Sleep: Job Activated  
Energy Saver Mode: Not Available  
Smart Proximity Sensor: Not Available  
Wake on Arrival:  
Sleep on Departure:

Software Versions

Device Software: 122.024.004.35400  
Patch Version: None  
Network Controller: 122.024.35400  
UI Panel Firmware: 6.2  
Marking Engine: 230.315  
Document Feeder: 230.315  
Finisher: 000.000.000  
Fax: 000.000.000  
Scanner: 230.315  
Machine Upgrades: Allowed  
Last Successful Upgrade: December 24, 2024 11:39:56

Media Trays

Tray 1: Plain, White and A4 (210 x 297 mm)  
Tray 2: Plain, White and A4 (210 x 297 mm)  
Tray 3: Bond, White and A4 (210 x 297 mm)  
Tray 4: Recycled, White and A4 (210 x 297 mm)  
Tray 5: Lightweight Glossy Cardstock, White and A4  
Bypass Tray: Plain, White and A4 (210 x 297 mm)

Installed Options

PS: Installed

Connectivity

Mobile Workflows

AirPrint Printing: Enabled  
Mopria Printing Discovery: Enabled  
AirPrint / Mopria Scanning Authentication: Enabled  
Physical Connections: Disabled

USB Settings

USB Type A Ports: All Enabled  
USB Type B Port: Disabled

Wired:

Ethernet MAC Address: 56:80:0e:a7:a8:9c  
Ethernet Speed/Duplex Setting: auto  
Status: Disabled

Wireless:

Wireless MAC Address:  
Network Name (SSID):  
BSSID:  
Security Mode:  
Encryption Algorithm:  
Status: Enabled  
Wi-Fi Direct: Not Installed

Wi-Fi Direct:

Wireless Hardware:  
Wi-Fi Protected Setup (WPS) Name:  
Access Point (SSID):  
Show Password on Device Touch Screen: Enabled  
NFC: Enabled  
iBeacon (Bluetooth®) for AirPrint Di...: Not Installed

iBeacon Hardware:  
Bluetooth Device Address:  
iBeacon IP Address:

Protocols

TCP/IPV4:

IP Address: Enabled  
255.255.255.0  
Subnet Mask: 10.61.15.1  
Router/Gateway: 10.61.15.1  
Automatic Addressing: DHCP  
DHCP Server: 10.61.13.224  
DHCP Lease Expiration: Thu Jan 9 15:53:22 2025  
BOOTP Broadcast: Disabled  
Self Assigned Address State: Enabled  
Self Assigned Address: fe80::5480:eff:fea7:a89c

TCP/IPV6:

Link Local Address: Enabled  
Use Router Supplied Prefix: fe80::5480:eff:fea7:a89c  
Stateless Global Address 1: Enabled  
Stateless Global Address 2: fd00:0:2:115:5480:eff:fea7:a89c  
Manual Addressing: :  
DHCP Addressing: Use DHCP as directed by a router  
DHCP Address: fe80::8afc:5dff:fe75:e282  
Default Gateway:  
DUID (DHCP Unique Identifier):

DNS Settings:

Requested Host Name: XRX56800EA7A89C  
Verified Host Name:  
Requested Domain Name:  
Verified Domain Name:  
Multicast DNS: Enabled  
Release DHCP Leases and DNS Registrati...: Disabled  
Primary DNS Server: 10.61.7.15  
Prefer IPv6 DNS over IPv4: Enabled

Bonjour:

Bonjour Printer Name: Xerox VersaLink C625 Color MFP (A7:A...

HTTP:

Force Traffic over Secure Connection (H...: Enabled  
IPP: Yes

SNMP

SNMP v1/v2: Enabled  
SNMP v3: Disabled

LPR/LPD:

Raw IP Printing: Enabled

LDAP

LDAP Server 1 Primary LDAP Address: 0.0.0.0:389  
LDAP Server 1 Search Directory Root:  
LDAP Server 1 Secure Connection (LDA...: Disabled  
LDAP Server 1 Validate Server Certificate...: Disabled

SMTP

SMTP Server: 10.61.10.8:25  
Connect Encryption (TLS): No Encryption  
Validate Server Certificate (TLS):

# Configuration Report

Printed at 02 Jan, 2025 15:53



## Protocols (cont.)

POP3	
POP3 Server:	0.0.0.0:110
POP3 Secure Connection (TLS):	Disabled
E-mail Address:	
NTP:	Disabled
FTP Client:	Enabled
FTP Client Mode:	Passive
Web Services on Device:	Enabled

## Apps

### Printing

Banner Sheet:	Disabled
Error Sheets:	Enabled
Paper Substitution:	Enabled
Tray Priority:	1,2,3,4,5,6
Archival Marking Mode	Off
PostScript	Installed
Level:	3
Version:	3021.101
PCL	
Version:	6
Font Name:	Courier
Custom Color Tables	Enabled
Label:	Not Installed
Fax:	Not Present
Fax Line1:	
Fax Line2:	

### Server Fax:

Repository Protocol:	Enabled
Repository Server:	SFTP
Repository Document Path:	10.61.23.93:22
	\

### Workflow Scanning:

Email:	Enabled
--------	---------

### Scan to Mailbox:

Storage Capacity (MB):	Enabled
Storage Used (MB):	672 MB
Cleanup of Public Folders:	118 MB
Cleanup of Created Folders:	Enabled
Cleanup Time:	Enabled
	Daily

### Scan to Home:

Scan To:	Disabled
----------	----------

### Cloud Services:

Cloud Services:	Enabled
-----------------	---------

### Print From:

Saved Jobs for Reprint:	Disabled
Print From USB:	Enabled
Print From MailBox:	Enabled
Cloud Services:	Disabled

## Accounting

Accounting Mode:	None
Network Accounting:	Disabled

## Security

### Authentication Configuration

Machine UI Authentication:	Locally on the Device
Home:	Unlocked
Jobs:	Unlocked
Device:	Unlocked
Device Website Authentication:	Unlocked
Authorization:	Locally on the Device
Retrieve E-mail from LDAP:	Locally on the Device
Authentication Server:	Enabled
Xerox Secure Access:	Kerberos
Audit Log:	Disabled
IP Sec:	Enabled
IP Filtering:	Disabled
Security Certificates	Disabled

Machine Certificate:	Signed
Root Certificates Installed:	54
802.1x:	Disabled

### Job Data Removal:

Scheduled:	Disabled
IPS 140-3:	Disabled

TLS:	
TLS Hash:	TLS 1.2 and TLS 1.3
Trellix Embedded Control:	SHA-1, SHA-256 and above
	Disabled

**Common User Data**

Machine Name: Xerox VersaLink C625 Color MFP (A7:A...  
 IP Address: 10.61.12.186  
 Machine Serial Number: 5322480247  
 Fax Line 1:  
 Machine URL: https://10.61.12.186  
 Machine Activation Date: Jan 01, 1970 05:30:00  
 Black Impressions: 1242  
 Color Impressions: 957  
 Total Impressions: 2199

**Machine Profile**

Xerox Asset Tag:  
 Customer Asset Tag:  
 Service Phone Number:  
 Customer Support Number:  
 Supplies Phone Number:  
 System Administrator: System Administrator name not set  
 Machine Location: machine location not set  
**Managed By**  
 Primary MB Server:

**Machine Hardware**

Fax Card: Not Present  
 Fax Memory Size: 0 MB  
 Foreign Interface Card: not present  
 Device RAM Size: 3904 MB  
 Device Storage Size: used=2977MB/total=13925MB (eMMC)  
 EPC Memory Size: 187 MB  
 Productivity Kit: Not Installed  
 Finisher Type: Simple Catch Tray  
 Finisher Punch: None  
 Finisher Folder: not present  
 Multi-feed Detection Kit: Not Installed

**General Setup**

Remote Services: Enabled  
 Remote Software Download: Enabled  
 Remote Services Trans. Time: 11:10  
 Xerox Workplace Cloud: Enabled  
 E-mail Alerts: Disabled  
 Service Plan: Metered  
 Geographic Region: unknown  
 GMT Offset: +05:30  
 Cloning Installation: Allowed (Encrypted Files Only)  
 File Sharing: Enabled  
 JBIG2: Lossless  
**Energy Saver**  
 Deep Sleep: Enabled  
 Energy Saver Mode: Job Activated  
**Smart Proximity Sensor**  
 Wake on Arrival: Not Available  
 Sleep on Departure:

**Software Versions**

Device Software: 122.024.004.35400  
 Patch Version: None  
 Network Controller: 122.024.35400  
 UI Panel Firmware: 6.2  
 Marking Engine: 230.315  
 Document Feeder: 230.315  
 Finisher: 000.000.000  
 Fax: 000.000.000  
 Scanner: 230.315  
**Machine Upgrades:**  
 Last Successful Upgrade: December 24, 2024 11:39:56

**Media Trays**

Tray 1: Plain, White and A4 (210 x 297 mm)  
 Tray 2: Plain, White and A4 (210 x 297 mm)  
 Tray 3: Bond, White and A4 (210 x 297 mm)  
 Tray 4: Recycled, White and A4 (210 x 297 mm)  
 Tray 5: Lightweight Glossy Cardstock, White and A...  
 Bypass Tray: Plain, White and A4 (210 x 297 mm)

**Installed Options**

PS: Installed

**Connectivity**

**Mobile Workflows**

AirPrint Printing: Enabled  
 Mopria Printing Discovery: Enabled  
 AirPrint / Mopria Scanning Authentication: Enabled  
 Disabled

**Physical Connections**

**USB Settings**  
 USB Type A Ports: All Enabled  
 USB Type B Port: Disabled  
**Wired:**  
 Ethernet MAC Address: Enabled  
 Ethernet Speed/Duplex Setting: 56:80:0e:a7:a8:9c  
 auto  
 Disabled

**Wireless:**

Wireless MAC Address:  
 Network Name (SSID):  
 BSSID:  
 Security Mode:  
 Encryption Algorithm:  
 Status:  
**Wi-Fi Direct:**  
 Wireless Hardware: Enabled  
 Not Installed  
 Wi-Fi Protected Setup (WPS) Name:  
 Access Point (SSID):  
 Show Password on Device Touch Screen:  
**NFC:**  
 iBeacon (Bluetooth®) for AirPrint DL... Enabled  
 iBeacon Hardware: Enabled  
 Bluetooth Device Address: Not Installed  
 iBeacon IP Address:

**Protocols**

**TCP/IPV4:**

IP Address: 10.61.12.186  
 Subnet Mask: 255.255.255.0  
 Router/Gateway: 10.61.12.1  
 Automatic Addressing: DHCP  
 DHCP Server: 10.61.13.224  
 DHCP Lease Expiration: Fri Jan 10 11:25:46 2025  
 BOOTP Broadcast: Disabled  
 Self Assigned Address State: Enabled  
 Self Assigned Address:

**TCP/IPV6:**

Link Local Address: fe80::5480:eff:fea7:a89c  
 Use Router Supplied Prefix: Enabled  
 Stateless Global Address 1: fd00:0:2:112:5480:eff:fea7:a89c  
 Stateless Global Address 2: ::  
 Manual Address:  
 DHCP Addressing: Use DHCP as directed by a router  
 DHCP Address:  
 Default Gateway: fe80::8afc:5dff:fe75:e282  
 DUID (DHCP Unique Identifier):

**DNS Settings:**

Requested Host Name: XRX56800EA7A89C  
 Verified Host Name:  
 Requested Domain Name:  
 Verified Domain Name:  
 Multicast DNS: Enabled  
 Release DHCP Leases and DNS Registrati... Disabled  
 Primary DNS Server: 10.61.7.15  
 Prefer IPv6 DNS over IPv4: Enabled

**Bonjour:**

Bonjour Printer Name: Xerox VersaLink C625 Color MFP (A7:A...

**HTTP:**

Force Traffic over Secure Connection (H... Enabled  
 Yes  
 IPP: Enabled

**SNMP**

SNMP v1/v2: Enabled  
 SNMP v3: Disabled

**LPR/LPD:**

Raw IP Printing: Enabled  
 Enabled

**LDAP**

LDAP Server 1 Primary LDAP Address: 0.0.0.0:389  
 LDAP Server 1 Search Directory Root:  
 LDAP Server 1 Secure Connection (LDA... Disabled  
 LDAP Server 1 Validate Server Certificate... Disabled

**SMTP**

SMTP Server: 10.61.10.8:25  
 Connect Encryption (TLS): No Encryption  
 Validate Server Certificate (TLS):

## Protocols (cont.)

POP3	
POP3 Server:	0.0.0.0:110
POP3 Secure Connection (TLS):	Disabled
E-mail Address:	
NTP:	Disabled
FTP Client:	Enabled
FTP Client Mode:	Passive
Web Services on Device:	Enabled

## Apps

## Printing

Banner Sheet:	Disabled
Error Sheets:	Enabled
Paper Substitution:	Enabled
Troy Priority:	1,2,3,4,5,6
Archival Marking Mode	Off
PostScript	Installed
Level:	3
Version:	3021.101
PCL	
Version:	6
Font Name:	Courier
Custom Color Tables	Enabled
Label:	Not Installed
Fax:	Not Present

Fax Line1:	
Fax Line2:	
Server Fax:	Enabled
Repository Protocol:	SFTP
Repository Server:	10.61.23.93:22
Repository Document Path:	\

## Workflow Scanning:

Enabled	
Email:	Enabled
Scan to Mailbox:	Enabled
Storage Capacity (MB):	672 MB
Storage Used (MB):	120 MB
Cleanup of Public Folders:	Enabled
Cleanup of Created Folders:	Enabled
Cleanup Time:	Daily

Scan to Home:	Disabled
---------------	----------

Scan To:	Enabled
----------	---------

Cloud Services:	Disabled
-----------------	----------

Print From:	Enabled
-------------	---------

Saved Jobs for Reprint:	Enabled
-------------------------	---------

Print From USB:	Enabled
-----------------	---------

Print From MailBox:	Disabled
---------------------	----------

Cloud Services:	Disabled
-----------------	----------

## Accounting

Accounting Mode:	None
Network Accounting:	Disabled

## Security

## Authentication Configuration

Machine UI Authentication:	Locally on the Device
Home:	Unlocked
Jobs:	Unlocked
Device:	Unlocked
Device Website Authentication:	Locally on the Device
Authorization:	Locally on the Device
Retrieve E-mail from LDAP:	Enabled

Authentication Server:	Kerberos
------------------------	----------

Xerox Secure Access:	Disabled
----------------------	----------

Audit Log:	Enabled
------------	---------

IP Sec:	Disabled
---------	----------

IP Filtering:	Disabled
---------------	----------

Security Certificates	
-----------------------	--

Machine Certificate:	Signed
----------------------	--------

Root Certificates Installed:	54
------------------------------	----

802.1x:	Disabled
---------	----------

Job Data Removal:	
-------------------	--

Scheduled:	Disabled
------------	----------

FIPS 140-3:	Disabled
-------------	----------

TLS:	TLS 1.2 and TLS 1.3
------	---------------------

TLS Hash:	SHA-1, SHA-256 and above
-----------	--------------------------

Trellix Embedded Control:	Disabled
---------------------------	----------

## Common User Data

Machine Name: Xerox VersaLink C625 Color MFP (A7-A...  
 IP Address: 10.61.12.186  
 Machine Serial Number: 5322480247  
 Fax Line1:  
 Machine URL: https://10.61.12.186  
 Machine Activation Date: Jan 01, 1970 05:30:00  
 Black Impressions: 1243  
 Color Impressions: 958  
 Total Impressions: 2201

## Machine Profile

Xerox Asset Tag:  
 Customer Asset Tag:  
 Service Phone Number:  
 Customer Support Number:  
 Supplies Phone Number:  
 System Administrator: System Administrator name not set  
 Machine Location: machine location not set  
**Managed By**  
 Primary MB Server:

## Machine Hardware

Fax Card: Not Present  
 Fax Memory Size: 0 MB  
 Foreign Interface Card: not present  
 Device RAM Size: 3904 MB  
 Device Storage Size: used=2963MB/total=13925MB (eMMC)  
 EPC Memory Size: 187 MB  
 Productivity Kit: used=292MB/total=500107MB (HDD)  
 Finisher Type: Simple Catch Tray  
 Finisher Punch: None  
 Finisher Folder: not present  
 Multi-feed Detection Kit: Not Installed

## General Setup

Remote Services: Enabled  
 Remote Software Download: Enabled  
 Remote Services Trans. Time: 11:10  
 Xerox Workplace Cloud: Enabled  
 E-mail Alerts: Disabled  
 Service Plan: Metered  
 Geographic Region: unknown  
 GMT Offset: +05:30  
 Cloning Installation: Allowed (Encrypted Files Only)  
 File Sharing: Enabled  
 JBIG2: Lossless

## Energy Saver

Deep Sleep: Enabled  
 Energy Saver Mode: Job Activated

## Smart Proximity Sensor

Wake on Arrival: Not Available  
 Sleep on Departure:

## Software Versions

Device Software: 122.024.004.35400  
 Patch Version: None  
 Network Controller: 122.024.35400  
 UI Panel Firmware: 6.2  
 Marking Engine: 230.315  
 Document Feeder: 230.315  
 Finisher: 000.000.000  
 Fax: 000.000.000  
 Scanner: 230.315

## Machine Upgrades:

Last Successful Upgrade: December 24, 2024 11:39:56

## Media Trays

Tray 1: Plain, White and A4 (210 x 297 mm)  
 Tray 2: Plain, White and A4 (210 x 297 mm)  
 Tray 3: Bond, White and A4 (210 x 297 mm)  
 Tray 4: Recycled, White and A4 (210 x 297 mm)  
 Tray 5: Lightweight Glossy Cardstock, White and A...  
 Bypass Tray: Plain, White and A4 (210 x 297 mm)

## Installed Options

PS: Installed

## Connectivity

### Mobile Workflows

AirPrint Printing: Enabled  
 Mopria Printing Discovery: Enabled  
 AirPrint / Mopria Scanning Authentication: Enabled  
 Disabled

### Physical Connections

#### USB Settings

USB Type A Ports: All Enabled  
 USB Type B Port: Disabled

#### Wired:

Ethernet MAC Address: 56:80:0e:a7:a8:9c  
 Ethernet Speed/Duplex Setting: auto  
 Disabled

#### Wireless:

##### Wireless MAC Address:

##### Network Name (SSID):

##### BSSID:

##### Security Mode:

##### Encryption Algorithm:

##### Status:

#### Wi-Fi Direct:

##### Wireless Hardware:

##### Wi-Fi Protected Setup (WPS) Name:

##### Access Point (SSID):

##### Show Password on Device Touch Screen:

##### NFC:

##### iBeacon (Bluetooth®) for AirPrint Di...

##### iBeacon Hardware:

##### Bluetooth Device Address:

##### iBeacon IP Address:

## Protocols

### TCP/IPV4:

IP Address: Enabled  
 10.61.12.186  
 Subnet Mask: 255.255.255.0  
 Router/Gateway: 10.61.12.1  
 Automatic Addressing: DHCP  
 DHCP Server: 10.61.13.224  
 DHCP Lease Expiration: Fri Jan 10 15:45:30 2025  
 BOOTP Broadcast: Disabled  
 Self Assigned Address Statu: Enabled  
 Self Assigned Address:

### TCP/IPV6:

Link Local Address: Enabled  
 fe80::5480:eff:fea7:a89c  
 Use Router Supplied Prefix: Enabled  
 Stateless Global Address 1: fd00:0:2:112:5480:eff:fea7:a89c  
 Stateless Global Address 2: ::  
 Manual Address:  
 DHCP Addressing: Use DHCP as directed by a router  
 DHCP Address:  
 Default Gateway: fe80::8afc:5dff:fe75:e282  
 DUID (DHCP Unique Identifier):

## DNS Settings:

Requested Host Name: XRX56800EA7A89C  
 Verified Host Name:  
 Requested Domain Name:  
 Verified Domain Name:  
 Multicast DNS: Enabled  
 Release DHCP Leases and DNS Registrati...: Disabled  
 Primary DNS Server: 10.61.7.15  
 Prefer IPv6 DNS over IPv4: Enabled

## Bonjour:

Bonjour Printer Name: Xerox VersaLink C625 Color MFP (A7-A...

## HTTP:

Force Traffic over Secure Connection (H...: Yes  
 IPP: Enabled

## SNMP

SNMP v1/v2: Enabled  
 SNMP v3: Disabled

## LPR/LPD:

Enabled

## Raw IP Printing:

## LDAP

LDAP Server 1 Primary LDAP Address: 0.0.0.0:389  
 LDAP Server 1 Search Directory Root:  
 LDAP Server 1 Secure Connection (LDA...: Disabled  
 LDAP Server 1 Validate Server Certificate...: Disabled

## SMTP

SMTP Server: 10.61.10.8:25  
 Connect Encryption (TLS): No Encryption  
 Validate Server Certificate (TLS):

**Protocols (cont.)**

POP3	
POP3 Server:	0.0.0.0:110
POP3 Secure Connection (TLS):	Disabled
E-mail Address:	
NTP:	Disabled
FTP Client:	Enabled
FTP Client Mode:	Passive
Web Services on Device:	Enabled

**Apps****Printing**

Banner Sheet:	Disabled
Error Sheets:	Enabled
Paper Substitution:	Enabled
Tray Priority:	1,2,3,4,5,6
Archival Marking Mode	Off
PostScript	Installed
Level:	3
Version:	3021.101
PCL	
Version:	6
Font Name:	Courier
Custom Color Tables	Enabled
Label:	Not Installed
Fax:	Not Present

Fax Line1:	
Fax Line2:	
Server Fax:	Enabled
Repository Protocol:	SFTP
Repository Server:	10.61.23.93:22
Repository Document Path:	\

**Workflow Scanning:**

Enabled

**Email:**

Scan to Mailbox:	Enabled
Storage Capacity (MB):	23071 MB
Storage Used (MB):	1268 MB
Cleanup of Public Folders:	Enabled
Cleanup of Created Folders:	Enabled
Cleanup Time:	Daily

**Scan to Home:**

Disabled

**Scan To:**

Enabled

**Print From:**

Disabled

Enabled

Enabled

Enabled

Enabled

Enabled

Enabled

Enabled

Enabled

Enabled

Enabled

Enabled

Enabled

Enabled

Enabled

Enabled

Enabled

Enabled

Enabled

Enabled

Enabled

Enabled

Enabled

Enabled

Enabled

Enabled

Enabled

Enabled

Enabled

Enabled

Enabled

Enabled

Enabled

Enabled

Enabled

Enabled

Enabled

Enabled

Enabled

Enabled

Enabled

Enabled

Enabled

Enabled

Enabled

Enabled

Enabled

Enabled

Enabled

Enabled

Enabled

Enabled

Enabled

**Accounting**

Accounting Mode:	None
Network Accounting:	Disabled

**Security****Authentication Configuration**

Machine UI Authentication:	Locally on the Device
Home:	Unlocked
Jobs:	Unlocked
Device:	Unlocked
Device Website Authentication:	Locally on the Device
Authorization:	Locally on the Device
Retrieve E-mail from LDAP:	Enabled

**Authentication Server:**

Kerberos

**Xerox Secure Access:**

Disabled

**Audit Log:**

Enabled

**IP Sec:**

Disabled

**IP Filtering:**

Disabled

**Security Certificates**

Signed

54

Disabled

**802.1x:**

Disabled

**Image Overwrite**

Installed/enabled

Disabled

**FIPS 140-3:**

Disabled

**TLS:**

TLS 1.2 and TLS 1.3

SHA-1, SHA-256 and above

**Trellix Embedded Control:**

Disabled

**Common User Data**

Machine Name: Xerox VersaLink C625 Color MFP (A7:A...  
 IP Address: 10.61.12.186  
 Machine Serial Number: 5322480247  
 Fax Line 1:  
 Machine URL: https://10.61.12.186  
 Machine Activation Date: Jan 01, 1970 05:30:00  
 Black Impressions: 1244  
 Color Impressions: 959  
 Total Impressions: 2203

**Machine Profile**

Xerox Asset Tag:  
 Customer Asset Tag:  
 Service Phone Number:  
 Customer Support Number:  
 Supplies Phone Number:  
 System Administrator: System Administrator name not set  
 Machine Location: machine location not set  
**Managed By**  
 Primary MB Server:

**Machine Hardware**

Fax Card: Not Present  
 Fax Memory Size: 0 MB  
 Foreign Interface Card: not present  
 Device RAM Size: 3904 MB  
 Device Storage Size: used=2734MB/total=13925MB (eMMC)  
 EPC Memory Size: 187 MB  
 Productivity Kit: used=62MB/total=0MB (SSD)  
 Finisher Type: Simple Catch Tray  
 Finisher Punch: None  
 Finisher Folder: not present  
 Multi-feed Detection Kit: Not Installed

**General Setup**

Remote Services: Enabled  
 Remote Software Download: Enabled  
 Remote Services Trans. Time: 11:10  
 Xerox Workplace Cloud: Enabled  
 E-mail Alerts: Disabled  
 Service Plan: Metered  
 Geographic Region: unknown  
 GMT Offset: +05:30  
 Cloning Installation: Allowed (Encrypted Files Only)  
 File Sharing: Enabled  
 JBIG2: Lossless

**Energy Saver**

Deep Sleep: Enabled  
 Energy Saver Mode: Job Activated

**Smart Proximity Sensor**

Wake on Arrival: Not Available  
 Sleep on Departure:

**Software Versions**

Device Software: 122.024.004.35400  
 Patch Version: None  
 Network Controller: 122.024.35400  
 UI Panel Firmware: 6.2  
 Marking Engine: 230.315  
 Document Feeder: 230.315  
 Finisher: 000.000.000  
 Fax: 000.000.000  
 Scanner: 230.315

**Machine Upgrades:**

Last Successful Upgrade: December 24, 2024 11:39:56

**Media Trays**

Tray 1: Plain, White and A4 (210 x 297 mm)  
 Tray 2: Plain, White and A4 (210 x 297 mm)  
 Tray 3: Bond, White and A4 (210 x 297 mm)  
 Tray 4: Recycled, White and A4 (210 x 297 mm)  
 Tray 5: Lightweight Glossy Cardstock, White and A...  
 Bypass Tray: Plain, White and A4 (210 x 297 mm)

**Installed Options**

PS: Installed

**Connectivity**

**Mobile Workflows**

AirPrint Printing: Enabled  
 Mopria Printing Discovery: Enabled  
 AirPrint / Mopria Scanning Authentication: Enabled  
 Disabled

**Physical Connections**

**USB Settings**  
 USB Type A Ports: All Enabled  
 USB Type B Port: Disabled  
**Wired:**  
 Ethernet MAC Address: 56:80:0e:a7:a8:9c  
 Ethernet Speed/Duplex Setting: auto  
**Wireless:**

Wireless MAC Address:  
 Network Name (SSID):  
 BSSID:  
 Security Mode:  
 Encryption Algorithm:  
 Status:  
**Wi-Fi Direct:** Enabled  
 Wireless Hardware: Not Installed

Wi-Fi Protected Setup (WPS) Name:  
 Access Point (SSID):  
 Show Password on Device Touch Screen:  
**NFC:** Enabled  
 iBeacon (Bluetooth®) for AirPrint DL... Enabled  
 iBeacon Hardware: Not Installed  
 Bluetooth Device Address:  
 iBeacon IP Address:

**Protocols**

**TCP/IPV4:** Enabled  
 IP Address: 10.61.12.186  
 Subnet Mask: 255.255.255.0  
 Router/Gateway: 10.61.12.1  
 Automatic Addressing: DHCP  
 DHCP Server: 10.61.13.224  
 DHCP Lease Expiration: Fri Jan 10 16:31:43 2025  
 BOOTP Broadcast: Disabled  
 Self Assigned Address State: Enabled  
 Self Assigned Address:

**TCP/IPV6:**

Link Local Address: Enabled  
 fe80::5480:eff:fea7:a89c  
 Use Router Supplied Prefix: Enabled  
 Stateless Global Address 1: fd00:0:2:112:5480:eff:fea7:a89c  
 Stateless Global Address 2: ::  
 Manual Address:  
 DHCP Addressing: Use DHCP as directed by a router  
 DHCP Address:  
 Default Gateway: fe80::8afc:5dff:fe75:e282  
 DUID (DHCP Unique Identifier):

**DNS Settings:**

Requested Host Name: XRX56800EA7A89C  
 Verified Host Name:  
 Requested Domain Name:  
 Verified Domain Name:  
 Multicast DNS: Enabled  
 Release DHCP Leases and DNS Registrat... Disabled  
 Primary DNS Server: 10.61.7.15  
 Prefer IPv6 DNS over IPv4: Enabled

**Bonjour:**

Bonjour Printer Name: Xerox VersaLink C625 Color MFP (A7:A...

**HTTP:**

Force Traffic over Secure Connection (H... Enabled  
 IPP: Yes  
 Enabled

**SNMP**

SNMP v1/v2: Enabled  
 SNMP v3: Disabled

**LPR/LPD:**

Enabled

**Raw IP Printing:**

Enabled

**LDAP**

LDAP Server 1 Primary LDAP Address: 0.0.0.389  
 LDAP Server 1 Search Directory Root:  
 LDAP Server 1 Secure Connection (LDA... Disabled  
 LDAP Server 1 Validate Server Certificate... Disabled

**SMTP**

SMTP Server: 10.61.10.8:25  
 Connect Encryption (TLS): No Encryption  
 Validate Server Certificate (TLS):

**Protocols (cont.)**

POP3	
POP3 Server:	0.0.0.0:110
POP3 Secure Connection (TLS):	Disabled
E-mail Address:	
NTP:	Disabled
FTP Client:	Enabled
FTP Client Mode:	Passive
Web Services on Device:	Enabled

**Apps****Printing**

Banner Sheet:	Disabled
Error Sheets:	Enabled
Paper Substitution:	Enabled
Tray Priority:	1,2,3,4,5,6
Archival Marking Mode:	Off
PostScript	Installed
Level:	3
Version:	3021.101
PCL	
Version:	6
Font Name:	Courier
Custom Color Tables	Enabled
Label:	Not Installed
Fax:	Not Present

**Fax:**

Fax Line1:	
Fax Line2:	
Server Fax:	Enabled
Repository Protocol:	SFTP
Repository Server:	10.61.23.93:22
Repository Document Path:	\

**Workflow Scanning:**

	Enabled
--	---------

**Email:****Scan to Mailbox:**

Storage Capacity (MB):	672 MB
Storage Used (MB):	49 MB
Cleanup of Public Folders:	Enabled
Cleanup of Created Folders:	Enabled
Cleanup Time:	Daily

**Scan to Home:**

	Disabled
--	----------

**Scan To:**

Cloud Services:	Enabled
Cloud Services:	Disabled

**Print From:**

Saved Jobs for Reprint:	Enabled
Print From USB:	Enabled
Print From MailBox:	Disabled
Cloud Services:	Disabled

**Accounting**

Accounting Mode:	None
Network Accounting:	Disabled

**Security****Authentication Configuration**

Machine UI Authentication:	Locally on the Device
Home:	Unlocked
Jobs:	Unlocked
Device:	Unlocked
Device Website Authentication:	Locally on the Device
Authorization:	Locally on the Device
Retrieve E-mail from LDAP:	Enabled

**Authentication Server:**

	Kerberos
--	----------

**Xerox Secure Access:**

	Disabled
--	----------

**Audit Log:**

	Enabled
--	---------

**IP Sec:**

	Disabled
--	----------

**IP Filtering:**

	Disabled
--	----------

**Security Certificates**

Machine Certificate:	Signed
Root Certificates Installed:	54

**802.1x:**

	Disabled
--	----------

**Job Data Removal:**

Scheduled:	Disabled
------------	----------

**FIPS 140-3:**

	Disabled
--	----------

**TLS:**

	TLS 1.2 and TLS 1.3
--	---------------------

**TLS Hash:**

	SHA-1, SHA-256 and above
--	--------------------------

**Trellix Embedded Control:**

	Disabled
--	----------

**Common User Data**

Machine Name: Xerox VersaLink C625 Color MFP (A7A...  
 IP Address: 10.61.12.186  
 Machine Serial Number: 5322480247  
 Fax Line1:  
 Machine URL: https://10.61.12.186  
 Machine Activation Date: Jan 01, 1970 05:30:00  
 Black Impressions: 1245  
 Color Impressions: 960  
 Total Impressions: 2205

**Machine Profile**

Xerox Asset Tag:  
 Customer Asset Tag:  
 Service Phone Number:  
 Customer Support Number:  
 Supplies Phone Number:  
 System Administrator:  
 Machine Location: System Administrator name not set  
 machine location not set  
**Managed By**  
 Primary MB Server:

**Machine Hardware**

Fax Card: Not Present  
 Fax Memory Size: 0 MB  
 Foreign Interface Card: not present  
 Device RAM Size: 3904 MB  
 Device Storage Size: used=2757MB/total=13925MB (eMMC)  
 EPC Memory Size: 187 MB  
 Productivity Kit: Not Installed  
 Finisher Type: Simple Catch Tray  
 Finisher Punch: None  
 Finisher Folder: not present  
 Multi-feed Detection Kit: Not Installed

**General Setup**

Remote Services: Enabled  
 Remote Software Download: Enabled  
 Remote Services Trans. Time: 11:10  
 Xerox Workplace Cloud: Enabled  
 E-mail Alerts: Disabled  
 Service Plan: Metered  
 Geographic Region: unknown  
 GMT Offset: +05:30  
 Cloning Installation: Allowed (Encrypted Files Only)  
 File Sharing: Enabled  
 JBIG2: Lossless

**Energy Saver**

Deep Sleep: Enabled  
 Energy Saver Mode: Job Activated  
**Smart Proximity Sensor**  
 Wake on Arrival: Not Available  
 Sleep on Departure:

**Software Versions**

Device Software: 122.024.004.35400  
 Patch Version: None  
 Network Controller: 122.024.35400  
 UI Panel Firmware: 6.2  
 Marking Engine: 230.315  
 Document Feeder: 230.315  
 Finisher: 000.000.000  
 Fax: 000.000.000  
 Scanner: 230.315  
**Machine Upgrades:**  
 Last Successful Upgrade: December 24, 2024 11:39:56

**Media Trays**

Tray 1: Plain, White and A4 (210 x 297 mm)  
 Tray 2: Plain, White and A4 (210 x 297 mm)  
 Tray 3: Bond, White and A4 (210 x 297 mm)  
 Tray 4: Recycled, White and A4 (210 x 297 mm)  
 Tray 5: Lightweight Glossy Cardstock, White and A...  
 Bypass Tray: Plain, White and A4 (210 x 297 mm)

**Installed Options**

PS: Installed

**Connectivity**

**Mobile Workflows**

AirPrint Printing: Enabled  
 Mopria Printing Discovery: Enabled  
 AirPrint / Mopria Scanning Authentication: Enabled  
 Disabled

**Physical Connections**

**USB Settings**  
 USB Type A Ports: All Enabled  
 USB Type B Port: Disabled  
**Wired:**  
 Ethernet MAC Address: Enabled  
 Ethernet Speed/Duplex Setting: 56:80:0e:a7:a8:9c  
 auto  
 Disabled

**Wireless:**

Wireless MAC Address:  
 Network Name (SSID):  
 BSSID:  
 Security Mode:  
 Encryption Algorithm:  
 Status:  
**Wi-Fi Direct:** Enabled  
 Wireless Hardware: Not Installed

Wi-Fi Protected Setup (WPS) Name:  
 Access Point (SSID):  
 Show Password on Device Touch Screen:

**NFC:**

iBeacon (Bluetooth®) for AirPrint Di...: Enabled  
 iBeacon Hardware: Enabled  
 Bluetooth Device Address: Not Installed  
 iBeacon IP Address:

**Protocols**

**TCP/IPV4:**

Enabled  
 IP Address: 10.61.12.186  
 Subnet Mask: 255.255.255.0  
 Router/Gateway: 10.61.12.1  
 Automatic Addressing: DHCP  
 DHCP Server: 10.61.13.224  
 DHCP Lease Expiration: Fri Jan 10 16:35:33 2025  
 BOOTP Broadcast: Disabled  
 Self Assigned Address State: Enabled  
 Self Assigned Address:

**TCP/IPV6:**

Enabled  
 Link Local Address: fe80::5480:eff:fea7:a89c  
 Use Router Supplied Prefix: Enabled  
 Stateless Global Address 1: fd00:0:2:112:5480:eff:fea7:a89c  
 Stateless Global Address 2: ::  
 Manual Address:  
 DHCP Addressing: Use DHCP as directed by a router  
 DHCP Address:  
 Default Gateway: fe80::8afc:5dff:fe75:e282  
 DUID (DHCP Unique Identifier):

**DNS Settings:**

Requested Host Name: XRX56800EA7A89C  
 Verified Host Name:  
 Requested Domain Name:  
 Verified Domain Name:  
 Multicast DNS: Enabled  
 Release DHCP Leases and DNS Registrati...: Disabled  
 Primary DNS Server: 10.61.7.15  
 Prefer IPv6 DNS over IPv4: Enabled

**Bonjour:**

Bonjour Printer Name: Xerox VersaLink C625 Color MFP (A7A...  
**HTTP:** Enabled  
 Force Traffic over Secure Connection (H...: Yes  
 IPP: Enabled

**SNMP**

SNMP v1/v2: Enabled  
 SNMP v3: Disabled

**LPR/LPD:**

Enabled

**Raw IP Printing:**

Enabled

**LDAP**

LDAP Server 1 Primary LDAP Address: 0.0.0.389  
 LDAP Server 1 Search Directory Root:  
 LDAP Server 1 Secure Connection (LDA...: Disabled  
 LDAP Server 1 Validate Server Certificate...: Disabled

**SMTP**

SMTP Server: 10.61.10.8.25  
 Connect Encryption (TLS): No Encryption  
 Validate Server Certificate (TLS):

## Protocols (cont.)

POP3	
POP3 Server:	0.0.0.0:110
POP3 Secure Connection (TLS):	Disabled
E-mail Address:	
NTP:	Disabled
FTP Client:	Enabled
FTP Client Mode:	Passive
Web Services on Device:	Enabled

## Apps

## Printing

Banner Sheet:	Disabled
Error Sheets:	Enabled
Paper Substitution:	Enabled
Troy Priority:	1,2,3,4,5,6
Archival Marking Mode	Off
PostScript	Installed
Level:	3
Version:	3021.101
PCL	
Version:	6
Font Name:	Courier
Custom Color Tables	Enabled
Label:	Not Installed
Fax:	Not Present
Fax Line1:	
Fax Line2:	

## Server Fax:

Repository Protocol:	Enabled
Repository Server:	SFTP
Repository Server:	10.61.23.93:22
Repository Document Path:	/

## Workflow Scanning:

	Enabled
--	---------

## Email:

	Enabled
--	---------

## Scan to Mailbox:

	Enabled
--	---------

Storage Capacity (MB):	672 MB
------------------------	--------

Storage Used (MB):	49 MB
--------------------	-------

Cleanup of Public Folders:	Enabled
----------------------------	---------

Cleanup of Created Folders:	Enabled
-----------------------------	---------

Cleanup Time:	Daily
---------------	-------

## Scan to Home:

	Disabled
--	----------

## Scan To:

	Enabled
--	---------

Cloud Services:	Disabled
-----------------	----------

## Print From:

	Enabled
--	---------

Saved Jobs for Reprint:	Enabled
-------------------------	---------

Print From USB:	Enabled
-----------------	---------

Print From MailBox:	Disabled
---------------------	----------

Cloud Services:	Disabled
-----------------	----------

## Accounting

Accounting Mode:	None
------------------	------

Network Accounting:	Disabled
---------------------	----------

## Security

## Authentication Configuration

Machine UI Authentication:	Locally on the Device
----------------------------	-----------------------

Home:	Unlocked
-------	----------

Jobs:	Unlocked
-------	----------

Device:	Unlocked
---------	----------

Device Website Authentication:	Locally on the Device
--------------------------------	-----------------------

Authorization:	Locally on the Device
----------------	-----------------------

Retrieve E-mail from LDAP:	Enabled
----------------------------	---------

## Authentication Server:

	Kerberos
--	----------

## Xerox Secure Access:

	Disabled
--	----------

## Audit Log:

	Enabled
--	---------

## IP Sec:

	Disabled
--	----------

## IP Filtering:

	Disabled
--	----------

## Security Certificates

Machine Certificate:	Signed
----------------------	--------

Root Certificates Installed:	54
------------------------------	----

## 802.1x:

	Disabled
--	----------

## Job Data Removal:

Scheduled:	Disabled
------------	----------

## FIPS 140-3:

	Disabled
--	----------

## TLS:

	TLS 1.2 and TLS 1.3
--	---------------------

TLS Hash:	SHA-1, SHA-256 and above
-----------	--------------------------

## Trellix Embedded Control:

	Disabled
--	----------

# Supplies Usage

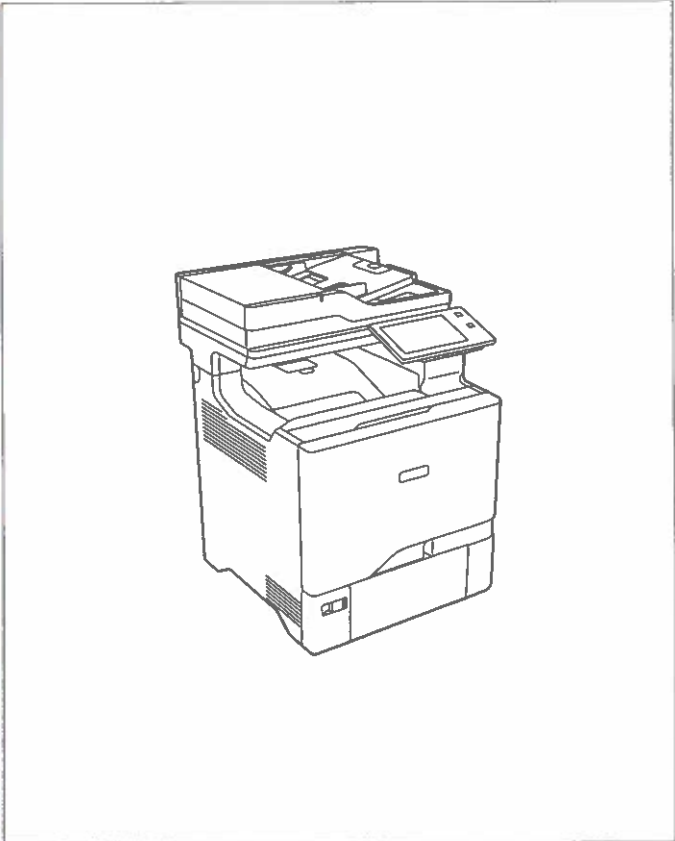
Supplies ordering information is located at [www.xerox.com/office/supplies](http://www.xerox.com/office/supplies)

## Consumables

### Toner Cartridges



<p><b>Black</b></p> <p>Date Installed: Feb 6, 2024 Reorder: 00 Estimated Pages Remaining: 14500 (Based upon this toner cartridge's average coverage: 2%)</p>	<p>Life Remaining</p> <p>100% 50% 0%</p>
<p><b>Cyan</b></p> <p>Date Installed: Feb 15, 2023 Reorder: 00 Estimated Pages Remaining: 10000 (Based upon this toner cartridge's average coverage: 0%)</p>	<p>Life Remaining</p> <p>100% 50% 0%</p>
<p><b>Magenta</b></p> <p>Date Installed: Dec 13, 2023 Reorder: 00 Estimated Pages Remaining: 2000 (Based upon this toner cartridge's average coverage: 1%)</p>	<p>Life Remaining</p> <p>100% 50% 0%</p>
<p><b>Yellow</b></p> <p>Date Installed: Dec 13, 2023 Reorder: 00 Estimated Pages Remaining: 2500 (Based upon this toner cartridge's average coverage: 5%)</p>	<p>Life Remaining</p> <p>100% 50% 0%</p>



## Routine Maintenance Items

### Imaging Units



<p><b>Black Imaging Kit</b></p> <p>Date Installed: Feb 6, 2024 Reorder: 4 Estimated Pages Remaining: 150000 (Based on average printer job size: 1 Pages)</p>	<p>Life Remaining</p> <p>100% 50% 0%</p>
<p><b>Color Imaging Kit</b></p> <p>Date Installed: Feb 6, 2024 Reorder: 4 Estimated Pages Remaining: 150000 (Based on average printer job size: 1 Pages)</p>	<p>Life Remaining</p> <p>100% 50% 0%</p>

### Waste Container



Date Installed: Dec 6, 2024  
Reorder: 008

OK

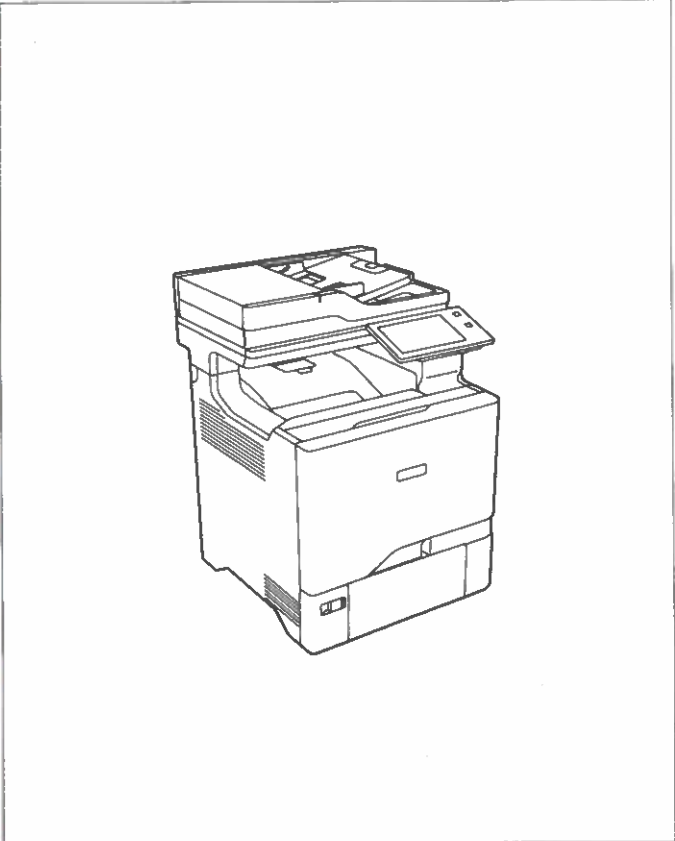
# Supplies Usage

## Consumables

### Toner Cartridges



<p><b>Black</b></p> <p>Date Installed: Feb 6, 2024                  Reorder: 00                  Estimated Pages Remaining: 14500                  (Based upon this toner cartridge's average coverage: 2%)</p>	<p>Life Remaining</p> <p>100% 50% 0%</p>
<p><b>Cyan</b></p> <p>Date Installed: Feb 15, 2023                  Reorder: 00                  Estimated Pages Remaining: 10000                  (Based upon this toner cartridge's average coverage: 9%)</p>	<p>Life Remaining</p> <p>100% 50% 0%</p>
<p><b>Magenta</b></p> <p>Date Installed: Sep 25, 2024                  Reorder: 00                  Estimated Pages Remaining: 6000                  (Based upon this toner cartridge's average coverage: 0%)</p>	<p>Life Remaining</p> <p>100% 50% 0%</p>
<p><b>Yellow</b></p> <p>Date Installed: Dec 13, 2023                  Reorder: 00                  Estimated Pages Remaining: 2500                  (Based upon this toner cartridge's average coverage: 5%)</p>	<p>Life Remaining</p> <p>100% 50% 0%</p>



## Routine Maintenance Items

### Imaging Units



<p><b>Black Imaging Kit</b></p> <p>Date Installed: Feb 6, 2024                  Reorder: 4                  Estimated Pages Remaining: 150000                  (Based on average printer job size: 1 Pages)</p>	<p>Life Remaining</p> <p>100% 50% 0%</p>
<p><b>Color Imaging Kit</b></p> <p>Date Installed: Feb 6, 2024                  Reorder: 4                  Estimated Pages Remaining: 150000                  (Based on average printer job size: 1 Pages)</p>	<p>Life Remaining</p> <p>100% 50% 0%</p>

### Waste Container



Date Installed: Dec 6, 2024  
 Reorder: 008

OK

## Übliche Benutzerdaten

Gerätename:	Xerox VersaLink C625 Color MFP (A7:A...
IP-Adresse:	10.61.12.186
Geräteserienummer:	5322480247
Faxleitung 1:	
Geräte-URL:	https://10.61.12.186
Datum der Geräteaktivierung:	Jan 01, 1970 05:30:00
Schwarzdrucke:	1246
Farbdrucke:	964
Druckseiten, gesamt:	2210

## Geräteprofil

Kennzeichen (Xerox)	
Kennzeichen (eigenes)	
Kundendienst-Telefonnr.:	
Telefonnummer für Kundendienst:	
Telefonnummer für Verbrauchsmaterial:	
Systemadministrator:	Name des Systemadministrators nicht eing...
Gerätestandort:	Gerätestandort nicht eingestellt

## Verwaltet von

Primärer MB-Server:

## Geräte-Hardware

Fax-Karte:	Nicht vorhanden
Fax-Speichergröße:	0 MB
Externe Schnittstelle:	nicht vorhanden
Größe des Geräte-Arbeitsspeichers (R...):	3904 MB
Größe des Gerätespeichers:	benutzt=2953MB/gesamt=13925MB (eMMC)
EPC-Speichergröße:	187 MB
Produktivitäts-Kit:	Nicht installiert
Finisher-Typ:	Einfaches Ausgabefach
Locher des Finishers:	Kein(e)
Falzmodul:	nicht vorhanden
Kit für Erkennung von Mehrfacheinzügen:	Nicht installiert

## Allgemeine Einrichtung

Fernservice:	Aktiviert
Remote-Software-Download:	Aktiviert
Uhrzeit für Fernservice-Übertragung:	11:10
Xerox Workplace Cloud:	Aktiviert
E-Mail-Warnungen:	Deaktiviert
Wartungsplan:	Zählergebunden
Geografische Region:	Unbekannt
Versatz zu Weltzeit (GMT):	+05:30
Klonen der Installation:	Zulässig (nur verschlüsselte Dateien)
Dateifreigabe:	Aktiviert
JBIG2:	Verlustfrei

## Energiesparbetrieb

Ruhezustand:	Aktiviert
Energiesparbetrieb:	Auftragsgesteuert

## Intelligenter Näherungssensor

Reaktivierung bei Ankomst:	Nicht verfügbar
Ruhezustand bei Verlassen:	

## Softwareversionen

Gerätesoftware:	122.024.004.35400
Patch-Version:	Kein(e)
Netzwerkcontroller:	122.024.35400
Steuerpult-Firmware:	6.2
Druckeinheit:	230.315
Vorlageneinzug:	230.315
Finisher:	000.000.000
Fax:	000.000.000
Scanner:	230.315
Geräteaktualisierungen:	Zugelassen
Letzte erfolgreiche Aktualisierung:	Dezember 24, 2024 11:39:56

## Materialbehälter

Behälter 1:	Normal, Weiß and A4 (210 x 297 mm)
Behälter 2:	Normal, Weiß and A4 (210 x 297 mm)
Behälter 3:	Postpapier, Weiß and A4 (210 x 297 mm)
Behälter 4:	Umweltpapier, Weiß and A4 (210 x 297...
Behälter 5:	Leichter Hochglanzkarton, Weiß and A4 (21...
Zusatzzufuhr:	Normal, Weiß and A4 (210 x 297 mm)

## Installierte Optionen

PS:	Installiert
-----	-------------

## Netzanschluss

### Mobile Workflows

AirPrint-Druck:	Aktiviert
Mopria-Druckersuche:	Aktiviert
AirPrint-/Mopria-Scanbetrieb:	Aktiviert
Authentifizierung:	Deaktiviert
Verbindungen:	
USB-Einstellungen:	
USB-Anschlüsse, Typ A:	Alle aktiviert
USB-Anschluss, Typ B:	Deaktiviert
Kabelverbindung:	Aktiviert
Ethernet-MAC-Adresse:	56:80:De:a7:a8:9c
Ethernet-Geschwindigkeit/Duplexeinst...:	automatisch
Wireless:	Deaktiviert
WLAN-MAC-Adresse:	
Netzwerkname (SSID):	
BSSID:	
Sicherheitsmodus:	
Verschlüsselungsalgorithmus:	
Status:	
Wi-Fi Direct:	Aktiviert
Wireless-Hardware:	Nicht installiert
WPS-Name (Wi-Fi Protected Setup):	
Zugriffspunkt (SSID):	
Kenntwort am Gerätetouchscreen anzeigen:	
NFC:	Aktiviert
iBeacon (Bluetooth®) zur AirPrint-Erken...:	Aktiviert
iBeacon-Hardware:	Nicht installiert
Bluetooth-Geräteadresse:	
iBeacon-IP-Adresse:	

## Protokolle

### TCP/IP v4:

IP-Adresse:	10.61.12.186
Subnet Mask:	255.255.255.0
Router/Gateway:	10.61.12.1
Automatische Adressierung:	DHCP
DHCP-Server:	10.61.13.224
Ende der DHCP-Leasefrist:	Fri Jan 10 16:35:33 2025
BOOTP-Broadcast:	Deaktiviert
Selbstzugewiesener Adressenzustand:	Aktiviert
Selbstzugewiesene Adresse:	

### TCP/IP v6:

Linklokale Adresse:	Aktiviert
Von Router geliefertes Präfix verwen...:	fe80::5480:eff:fea7:a89c
Zustandslose globale Adresse 1:	Aktiviert
Zustandslose globale Adresse 2:	fd00:0:2:112:5480:eff:fea7:a89c
Manuelle Adresse:	
DHCP-Adressierung:	DHCP laut Routeranweisung verwenden
DHCP-Adresse:	
Standard-Gateway:	fe80::8afc:5dff:fe75:e282
DUID (DHCP Unique Identifier):	

### DNS-Einstellungen:

Angeforderter Hostname:	XRX56800EA7A89C
Überprüfter Hostname:	
Angeforderter Domänenname:	
Überprüfter Domänenname:	
Multicast-DNS:	Aktiviert
DHCP-Leases und DNS-Registrierungen fr...:	Deaktiviert
Primärer DNS-Server:	10.61.7.15
IPv6 DNS vorrangig vor IPv4:	Aktiviert

### Bonjour:

Bonjour-Druckername: Xerox VersaLink C625 Color MFP (A7:A...

### HTTP:

Datenverkehr zwangsweise über sichere V...:	Aktiviert
IPP:	Ja

### SNMP

SNMP v1/v2:	Aktiviert
SNMP v3:	Deaktiviert

### LPR/LPD:

LPR/LPD: Aktiviert

### Raw IP-Druck:

Raw IP-Druck: Aktiviert

### LDAP

LDAP-Server 1 - primäre LDAP-Adresse:	0.0.0.0:389
LDAP-Server 1 - Suchstammverzeichnis:	

LDAP-Server 1 - sichere Verbindung (LD...): Deaktiviert

LDAP-Server 1 - Serverzertifikat überprüf...: Deaktiviert

### SMTP

SMTP-Server: 10.61.10.8:25

Verbindungsverschlüsselung (TLS): Keine Verschlüsselung

Serverzertifikat überprüfen(TLS):

## Protokolle (Forts.)

POP3	
POP3-Server:	0.0.0.110
Sichere POP3-Verbindung (TLS):	Deaktiviert
E-Mail-Adresse:	
NTP:	Deaktiviert
FTP-Client:	Aktiviert
FTP-Client-Modus:	Passiv
WSD (Web Services on Device):	Aktiviert

## Apps

## In Druckausgabe

Begleitblatt:	Deaktiviert
Fehlerblätter:	Aktiviert
Materialersatz:	Aktiviert
Behälterpriorität:	1,2,3,4,5,6
Archivierungskennzeichnungsmodus	Aus
PostScript	Installiert
Version:	3
Version:	3021.101
PCL	
Version:	6
Schriftartname:	Courier
Benutzerdefinierte Farbtabelle	Aktiviert
Label:	Nicht installiert
Fax:	Nicht vorhanden
Faxleitung 1:	
Faxleitung 2:	

## Server-Fax:

Aktiviert	
Ablagebereich-Protokoll:	SFTP
Ablagebereich-Server:	10.61.23.93:22
Pfad für Ablagebereich:	\

## Workflow-Scannen:

Aktiviert	
-----------	--

## E-Mail:

## Scan-Ausgabe - Mailbox:

Aktiviert	
Speicherkapazität (MB):	672 MB
Belegte Speicherkapazität (MB):	49 MB
Bereinigung öffentlicher Ordner:	Aktiviert
Bereinigung erstellter Ordner:	Aktiviert
Bereinigungszeit:	Täglich

## Scan-Ausgabe - Home:

Deaktiviert	
-------------	--

## Scanausgabe:

Aktiviert	
Clouddienste	Deaktiviert

## Drucken von:

Aktiviert	
Gespeicherte Aufträge für Nachdruck:	Aktiviert
USB-Direktdruck:	Aktiviert
Druck aus Mailbox:	Deaktiviert
Clouddienste	Deaktiviert

## Kostenzählung

Kostenzahlungsmodus:	Kein(e)
Netzwerk-Kostenzählung:	Deaktiviert

## Sicherheit

## Authentifizierungskonfiguration

Authentifizier., Geratedisplay:	Am Gerät
Startseite:	Entsperrt
Aufträge:	Entsperrt
Gerät:	Entsperrt
Gerätewebsiteauthentifizierung:	Am Gerät
Autorisierung:	Am Gerät
E-Mail von LDAP automatisch abrufen:	Aktiviert

## Authentifizierungsserver:

Kerberos	
----------	--

## Xerox Secure Access:

Deaktiviert	
-------------	--

## Prüfprotokoll:

Aktiviert	
-----------	--

## IP-Sec:

Deaktiviert	
-------------	--

## IP-Filterung:

Deaktiviert	
-------------	--

## Sicherheitszertifikate

Gerätezertifikat:	Signiert
Stammzertifikat installiert:	S4

## 802.1x:

Deaktiviert	
-------------	--

## Auftragsdatenlöschung:

Planmäßig:	Deaktiviert
------------	-------------

## FIPS 140-3

Deaktiviert	
-------------	--

## TLS:

TLS-Hash:	TLS 1.2 und TLS 1.3
-----------	---------------------

## Trellix Embedded Control:

Deaktiviert	
-------------	--

## Übliche Benutzerdaten

Gerätename:	Xerox VersaLink C625 Color MFP (A7:A...
IP-Adresse:	10.61.12.186
Geräteseriennummer:	5322480247
Faxleitung 1:	
Geräte-URL:	https://10.61.12.186
Datum der Geräteaktivierung:	Jan 01, 1970 05:30:00
Schwarzdrucke:	1246
Farbdrucke:	964
Druckseiten, gesamt:	2210

## Geräteprofil

Kennzeichen (Xerox)	
Kennzeichen (eigenes)	
Kundendienst-Telefonnr.:	
Telefonnummer für Kundendienst:	
Telefonnummer für Verbrauchsmaterial:	
Systemadministrator:	Name des Systemadministrators nicht eing...
Gerätestandort:	Gerätestandort nicht eingestellt

## Verwaltet von

Primärer MB-Server:

## Geräte-Hardware

Fax-Karte:	Nicht vorhanden
Fax-Speichergröße:	0 MB
Externe Schnittstelle:	nicht vorhanden
Größe des Geräte-Arbeitsspeichers (R...):	3904 MB
Größe des Gerätespeichers:	benutzt+2954MB/gesamt+13925MB (eMMC)
EPC-Speichergröße:	187 MB
Produktivitäts-Kit:	Nicht installiert
Finisher - Typ:	Einfaches Ausgabefach
Locher des Finishers	Kein(e)
Falzmodul:	nicht vorhanden
Kit für Erkennung von Mehrfacheinzügen:	Nicht installiert

## Allgemeine Einrichtung

Fernservice:	Aktiviert
Remote-Software-Download:	Aktiviert
Uhrzeit für Fernservice- Übertragung:	11:10
Xerox Workplace Cloud	Aktiviert
E-Mail-Warnungen:	Deaktiviert
Wartungsplan:	Zählergebunden
Geografische Region	Unbekannt
Startkonfigurationsbericht:	Aktiviert
Versatz zu Weltzeit (GMT):	+05:30
Klone der Installation	Zulässig (nur verschlüsselte Dateien)
Druckübermittlung von Klondateien zu...	Aktiviert
Dateifreigabe	Aktiviert
JBIG2	Verlustfrei

## Energiesparbetrieb

Ruhezustand:	Aktiviert
Energiesparbetrieb:	Auftragsgesteuert
Ruhezustand-Timer:	120 Minuten
Automatisch Aus:	Deaktiviert

## Softwareversionen

Gerätesoftware:	122.024.004.35400
Patch-Version:	Kein(e)
Netzwerkcontroller:	122.024.35400
Steuerpult-Firmware:	6.2
Benutzeroberfläche:	122.024.35400
Druckeinheit:	230.315
Kopiercontroller:	122.024.35400
Vorlageneinzug:	230.315
Finisher:	000.000.000
Fax:	000.000.000
Betriebssystem:	230.315
Scanner	230.315
Softwareaktualisierung:	005.007
Upgrade der ALTB00T-Software:	005.007
Behälter 2:	A15.51_B2.3
Behälter 3:	A15.51_B2.3
Behälter 4:	A15.51_B2.3
Behälter 5:	A15.51_B2.3

## Geräteaktualisierungen:

Letzte erfolgreiche Aktualisierung:	Dezember 24, 2024 11:39:56
Planmäßige autom. Aktualisierungen:	Deaktiviert
Startzeit der automatischen Aktualis...	Täglich
Server für automatische Aktualisierung:	0.0.0.0:21

## Materialbehälter

Behälter 1:	Normal, Weiß and A4 (210 x 297 mm)
Behälter 2:	Normal, Weiß and A4 (210 x 297 mm)
Behälter 3:	Postpapier, Weiß and A4 (210 x 297 mm)
Behälter 4:	Umweltpapier, Weiß and A4 (210 x 297...
Behälter 5:	Leichter Hochglanzkarton, Weiß and A4 (21...
Zusatzzufuhr:	Normal, Weiß and A4 (210 x 297 mm)

## Netzanschluss

### Mobile Workflows

AirPrint-Druck:	Aktiviert
Mopria-Druckersuche:	Aktiviert
AirPrint-/Mopria-Scanbetrieb	Aktiviert
Authentifizierung	Deaktiviert
Universal Print:	Deaktiviert
Universal Print-Registrierungsstatus:	Nicht registriert

### Verbindungen

#### USB-Einstellungen

USB-Anschlüsse, Typ A	Alle aktiviert
USB-Anschluss, Typ B	Deaktiviert
Verbindungs-Timeout	5 Sekunden
Kabelverbindung:	Aktiviert
Ethernet-MAC-Adresse:	56:80:0e:a7:a8:9c
Ethernet-Geschwindigkeit/DuplexeinstL...	automatisch
Wireless:	Deaktiviert

#### WLAN-MAC-Adresse:

#### Netzwerkname (SSID):

#### BSSID:

#### Sicherheitsmodus:

#### Verschlüsselungsalgorithmus:

#### Status:

#### Wi-Fi Direct:

#### Wireless-Hardware:

#### WPS-Name (Wi-Fi Protected Setup):

#### Verbindungsmethode:

#### Subnetz-Adresspräfix:

#### Zugriffspunkt (SSID):

#### Kenntwort am Gerätetouchscreen anzeigen:

#### NFC:

#### iBeacon (Bluetooth®) zur AirPrint-Erken...

#### iBeacon-Hardware:

#### Bluetooth-Geräteadresse:

#### iBeacon-IP-Adresse:

## Protokolle

### TCP/IPv4:

IP-Adresse:	Aktiviert	10.61.12.186
Subnet Mask:		255.255.255.0
Router/Gateway:		10.61.12.1
Automatische Adressierung:		DHCP
DHCP-Server:		10.61.13.224
Ende der DHCP-Leasefrist:		Fri Jan 10 16:35:33 2025
BOOTP-Broadcast:		Deaktiviert
Selbstzugewiesener Adressenzustand:		Aktiviert
Selbstzugewiesene Adresse:		

### TCP/IPv6:

Linklokale Adresse:	Aktiviert	fe80::5480:eff:fea7:a89c
Von Router geliefertes Präfix verwen...	Aktiviert	
Zustandslose globale Adresse 1:		fd00:0:2:112:5480:eff:fea7:a89c
Zustandslose globale Adresse 2:		::
Manuelle Adresse:		
DHCP-Adressierung:		DHCP laut Routeranweisung verwenden
DHCP-Adresse:		
Standard-Gateway:		fe80::8afc::5dff:fe75:e282
DUID (DHCP Unique Identifier):		

### DNS-Einstellungen:

Angeforderter Hostname:		XRXS6800EA7A89C
Überprüfter Hostname:		
Angeforderter Domänenname:		
Überprüfter Domänenname:		
Multicast-DNS:	Aktiviert	
DHCP-Leases und DNS-Registrierungen fr...	Deaktiviert	
Primärer DNS-Server:		10.61.7.15
Alternativer DNS Server 1:		10.61.10.6
Alternativer DNS Server 2:		::
DNS-Verbindungstimeout:		5
Geräte Domäne anfügen:	Aktiviert	
Übergeordnete Domänen anfügen:	Deaktiviert	
DNS-Domänensuchliste:		XEROXQA.COM.
IPv6 DNS vorrangig vor IPv4:	Aktiviert	

## Installierte Optionen

PS:	Installiert
-----	-------------

**Protokolle (Forts.)**

<b>Bonjour:</b>	
Bonjour-Druckername:	Xerox VersaLink C625 Color MFP (A7A...
<b>HTTP:</b>	
Anschlussnummer:	80
Datenverkehr zwangsweise über sichere V...	Ja
Sichere HTTP-Anschlussnummer:	443
Proxyserver:	Manuell
Proxyserver-Adresse:	10.177.8.91:8080
IPP:	Aktiviert
Sicherer IPP-Modus:	IPP und sicheres IPPS
IPP-Netzwerkpfad:	http://10.61.12.186:631
<b>SNMP</b>	
SNMP v1/v2:	Aktiviert
SNMP v3:	Deaktiviert
<b>LPR/LPD:</b>	
Anschlussnummer:	Aktiviert
PDL-Wechsel:	515
Überschreiben von PDL-Begleitblatt:	Deaktiviert
<b>Raw IP-Druck:</b>	
Anschlussnummer 1:	Aktiviert
Bidirektional:	9100
Auftragsende-Timeout:	Deaktiviert
PDL-Wechsel:	300
<b>LDAP</b>	
LDAP-Server 1 - angezeigter Name:	
LDAP-Server 1 - primäre LDAP-Adresse:	0.0.0.0:389
LDAP-Server 1 - alternative LDAP-Adi...	0.0.0.0:389
LDAP-Server 1 - Suchstammverzeichnis:	
LDAP-Server 1 - sichere Verbindung (LD...	Deaktiviert
LDAP-Server 1 - Serverzertifikat überprüf...	Deaktiviert
<b>SMTP</b>	
SMTP-Server:	10.61.10.8:25
Verbindungsverschlüsselung (TLS):	Keine Verschlüsselung
Serverzertifikat überprüfen(TLS):	
Max. Meldungsumfang (KB):	10240
Anzahl der Fragmente:	1
Auftragsgesamtumfang (KB):	300000
Auftragsteilungsgrenze:	Seite
Anmeldeinformationen für automatische E-Mail-Nac...	Kein(e)
Anmeldeinformationen für Standardbenutzer:	Kein(e)
<b>POP3</b>	
POP3-Server:	0.0.0.0:110
Sichere POP3-Verbindung (TLS):	Deaktiviert
E-Mail-Adresse:	
E-Mail-Empfang über POP3:	Deaktiviert
Bei Anforderung Bestätigung senden:	Aktiviert
Deckblatt, eingehende E-Mail:	Aktiviert
<b>NTP:</b>	
Primärer Server:	Deaktiviert
Alternativer Server:	0.0.0.0:123
<b>SLP:</b>	
FTP-Client:	Deaktiviert
FTP-Client-Modus:	Aktiviert
<b>WSD (Web Services on Device):</b>	
WS-Discovery:	Passiv
WS-Discovery Multicast:	Aktiviert
WS-Print:	Aktiviert
WS-Scan:	Aktiviert
<b>Web Services</b>	
Kopienübermittlung:	Aktiviert
Verwaltung des digitalen Zertifikats und S...	Aktiviert
Registrierung für Erweiterungsdienste:	Aktiviert
Auftragslimits:	Aktiviert
Erweiterte Auftragsverwaltung:	Aktiviert
Gerätekonfiguration:	Aktiviert
Scanübermittlung:	Aktiviert
Scanworkflowverwaltung:	Aktiviert
Sitzungsdaten:	Aktiviert
Konfiguration der Benutzeroberfläche:	Aktiviert
EIP Proxy-Konfiguration:	Aktiviert
Xerox Secure Access:	Deaktiviert
EIP SNMP-Konfiguration:	Aktiviert
Druckübermittlung:	Aktiviert
Scanprüfverw.:	Aktiviert
Massenspeicherzugriff:	Aktiviert
Kartenleserzugriff:	Aktiviert
Konfiguration der Authentifizierung und K...	Aktiviert
Prüfprotokoll exportieren:	Aktiviert
Trellix Embedded Control:	Aktiviert

**Apps**

**In Druckausgabe**

Begleitblatt:	Deaktiviert
System-/Startauftrag:	Deaktiviert
Angehaltene Aufträge löschen nach:	3 Day(s) 0 Hour(s) 0 Minute(s)
Fehlerblätter:	Aktiviert
Materialersatz:	Aktiviert
Behälterpriorität:	1,2,3,4,5,6
Standardauflage:	1
Standardauftragsart:	Proof-Druck
Standardformat:	x=8.50 inches, y=11.00 inches
Standardmaterialfarbe:	Weiß
2-seitiger Seitenaufdruck als Standard:	2-seitig
Standardausgabefach:	Mittleres Fach
Standardausgabefarbe:	Farbe
Sortierte Satze als Standard:	Aktiviert
Standardheftung:	Keine Heftung
Versatz zwischen Aufträgen erfolgt:	Kein Versatz zwischen Aufträgen
Archivierungskennzeichnungsmodus:	Aus
PostScript:	Installiert
Version:	3
Version:	3021.101
Bildqualität:	Verbessert
PCL:	
Version:	6
Schrittweite:	10.00
Schriftgrad:	12.00
Schriftartname:	Courier
Zeilen pro Seite:	60
Benutzerdefinierte Farbtabelle:	Aktiviert
Label:	Nicht installiert
Fax:	Nicht vorhanden
Faxleitung 1:	
Faxleitung 2:	

**Server-Fax:**

Bestätigungsblatt:	Aktiviert
Ein:	Ein
Start verzögern:	Deaktiviert
Ablagebereich - Protokoll:	SFTP
Ablagebereich - Server:	10.61.23.93:22
Pfad für Ablagebereich:	/

**Workflow-Scannen:**

Bestätigungsblatt:	Aktiviert
Ein:	Ein
Standardablagebereichprotokoll:	SMB
Standardablagebereichserver:	10.61.23.93:445
Pfad für Standardablagebereich:	/
Standardablagebereich - Anmeldeinformationen:	Gerät
Alt1 - Ablagebereich - Protokoll:	SMB
Alt1 - Ablagebereich - Server:	0.0.0.0
Alt1 - Ablagebereich - Pfad:	
Alt1 - Ablagebereich - Anmeldeinformationen:	Gerät
Workflowsammlungprotokoll:	SMB
Workflowsammlungserver:	0.0.0.0
Workflowsammlungspfad:	

**E-Mail:**

Standardabsenderadresse:	Aktiviert
athimeenas@xeroxqa.com	
Bestätigungsblatt:	Ein
Automatisch an Eigenadresse senden:	Deaktiviert
E-Mailsicherheit:	Deaktiviert

**Scan-Ausgabe - Mailbox:**

Mailboxen standardmäßig anzeigen:	Aktiviert
Speicherkapazität (MB):	Aktiviert
672 MB	
Belegte Speicherkapazität (MB):	Aktiviert
49 MB	
Bereinigung öffentlicher Ordner:	Aktiviert
Bereinigung erstellter Ordner:	Aktiviert
Täglich	
Bereinigungszeit:	

**Scan-Ausgabe - Home:**

Benutzerlesbarer Name:	Deaktiviert
Workflowname:	Deaktiviert
Unterverzeichnis autom. erstellen:	Deaktiviert
Benutzernamen an Pfad anfügen:	Deaktiviert
Benutzernamensverz. autom. erstellen:	Deaktiviert

**Scanausgabe:**

Clouddienste:	Aktiviert
Clouddienste:	Deaktiviert
<b>Drucken von:</b>	
Gespeicherte Aufträge für Nachdruck:	Aktiviert
USB-Direktdruck:	Aktiviert
Druck aus Mailbox:	Deaktiviert
Clouddienste:	Deaktiviert

**Kostenzählung**

Kostenzählungsmodus:	Kein(e)
Netzwerkostenzählung:	Deaktiviert

**Sicherheit****Authentifizierungskonfiguration**

Authentifizier., Gerätedisplay:	Am Gerät
Startseite:	Entsperrt
Aufträge:	Entsperrt
Gerät:	Entsperrt
Gerätewebsiteauthentifizierung:	Am Gerät
Autorisierung:	Am Gerät
E-Mail von LDAP automatisch abrufen:	Aktiviert

**Authentifizierungsserver:**

Kerberos Primärer Bereich:	
Kerberos-Primäradresse:	0.0.0.0:88
Kerberos Alt. 1 Bereich:	
Kerberos Alt. 1 Adresse:	0.0.0.0:88
SMB NT-Domäne:	
SMB Alt. 1 NT-Domäne:	
Smartcard-Controllerserver:	0.0.0.0:443
Smartcard-Controllerdomäne:	
SmartCard-OCSP-URL:	
Upgrade-Richtlinie für Kartenlesegerät:	Aktiviert
Firmwareversion des Kartenlesegeräts:	

**Xerox Secure Access:**

Secure Access-Server:	Deaktiviert
Secure Access-Pfad:	0.0.0.0:443

**Prüfprotokoll:**

Prüfprotokoll:	Aktiviert
----------------	-----------

**IP-Sec:**

IP-Sec:	Deaktiviert
---------	-------------

**IP-Filterung:**

IP-Filterung:	Deaktiviert
---------------	-------------

**Sicherheitszertifikate**

Gerätezertifikat:	Signiert
Stammzertifikat installiert:	54

**802.1x:**

802.1x:	Deaktiviert
---------	-------------

**Auftragsdatenlöschung:**

Planmäßig:	Deaktiviert
Planmäßiges Intervall:	Einmal pro Monat

**FIPS 140-3**

FIPS 140-3:	Deaktiviert
-------------	-------------

**TLS:**

TLS:	TLS 1.2 und TLS 1.3
TLS-Hash:	SHA-1, SHA-256 und höher

**Trellix Embedded Control:**

Trellix Embedded Control:	Deaktiviert
---------------------------	-------------

**Erweiterungsdienst Einrichtung**

Browser der dritten Generation:	X3G_3.24.23_2.40.5_012_01.00.00
Widget-Version:	v1.3.17 c8 20140613
Widget-Version:	v2.5.04 g9 20240123

# Abrechnungsübersicht

## Systeminformationen

Gerätename:	Xerox VersaLink C625 Color MFP (A7:A...	<b>Softwareversionen</b>	
Geräteseriennummer:	5322480247	Gerätesoftware:	122.024.004.35400
Druckseiten seit Einschalten:	5	Patch-Version:	Kein(e)
		Netzwerkcontroller:	122.024.35400
		Steuerpult-Firmware:	6.2
		Bilderzeugungseinheit:	230.315
		Vorlageneinzug:	230.315
		Finisher:	000.000.000
		Fax:	000.000.000
		Scanner:	230.315

## Zähler

<b>Fax</b>		Normalpapier:	412
Integriertes Fax, gesendete Bilder:	0	Postpapier:	7
Integriertes Fax:	0	Umweltpapier:	8
		Briefkopfpapier:	7
		Hochglanzpapier:	6
<b>Kopieren</b>			
Schwarzweißkopien, Seiten:	338		
Farbkopien, Seiten:	131		
<b>Drucken</b>			
Schwarzweißdrucke, Seiten:	822		
Farbdrucke, Seiten:	807		
<b>Scannen</b>			
Scannen, gesendete Bilder:	101		
Per E-Mail gesendete Seiten:	5		
<b>Summen, Gerät</b>			
Schwarzweißdruckseiten:	1246		
Farbe:	964		
Gesamt:	2210		

# Verbrauchsmaterialnutzung

Informationen zu Verbrauchsmaterial sind zu finden unter [www.xerox.com/office/supplies](http://www.xerox.com/office/supplies)

## Verbrauchsmaterialien

### Tonerkartuschen



#### Schwarz

Installationsdatum: Feb 6, 2024  
 Nachbestellung: 00  
 Verbleibende Seiten geschätzt: 14500  
 (Basiert auf durchschnittlicher Deckung mit dieser Tonerkartusche: 2%)



#### Cyan

Installationsdatum: Jan 8, 2024  
 Nachbestellung: 00  
 Verbleibende Seiten geschätzt: 16000  
 (Basiert auf durchschnittlicher Deckung mit dieser Tonerkartusche: 0%)



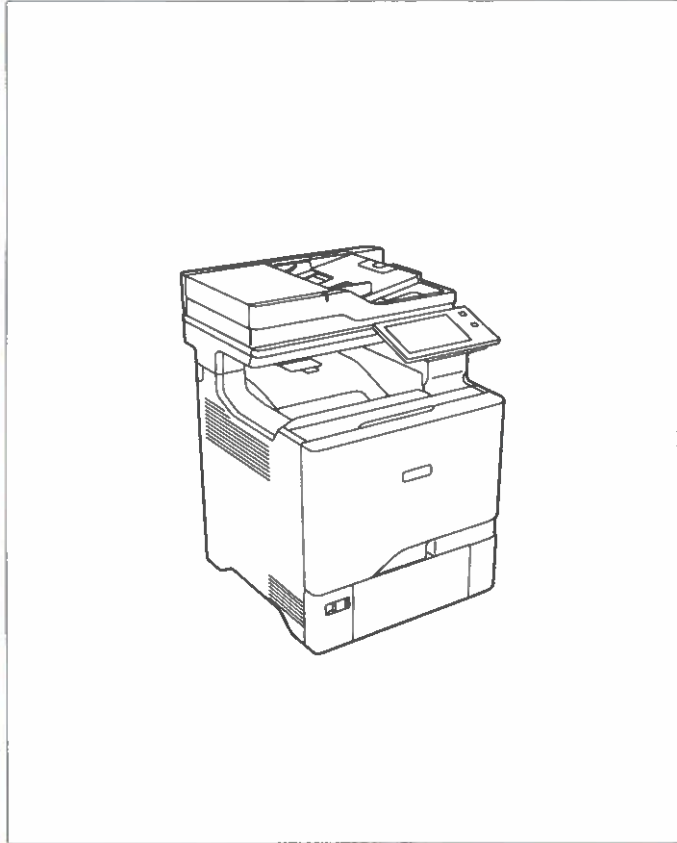
#### Magenta

Installationsdatum: Nov 28, 2024  
 Nachbestellung: 00  
 Verbleibende Seiten geschätzt: 16000  
 (Basiert auf durchschnittlicher Deckung mit dieser Tonerkartusche: 0%)



#### Gelb

Installationsdatum: Jul 24, 2024  
 Nachbestellung: 00  
 Verbleibende Seiten geschätzt: 16000  
 (Basiert auf durchschnittlicher Deckung mit dieser Tonerkartusche: 0%)



## Austauschmodule

### Belichtungseinheiten



#### Imaging-Einheit Schwarz

Installationsdatum: Feb 6, 2024  
 Nachbestellung: 4  
 Verbleibende Seiten geschätzt: 150000  
 (Basiert auf der durchschnittlichen Druckerauftragsgröße: 1 Seiten)



#### Imaging-Einheit Farbe

Installationsdatum: Feb 6, 2024  
 Nachbestellung: 4  
 Verbleibende Seiten geschätzt: 150000  
 (Basiert auf der durchschnittlichen Druckerauftragsgröße: 1 Seiten)



### Abfallbehälter



Installationsdatum: Dec 6, 2024  
 Nachbestellung: 008

OK

## Uobičajeni korisnički podaci

Naziv uređaja:	Xerox VersaLink C625 Color MFP (A7A...
IP adresa:	10.61.12.186
Serijski broj uređaja:	5322480247
Linija faksa 1:	
URL uređaja:	https://10.61.12.186
Datum aktivacije uređaja:	Jan 01, 1970 05:30:00
Crni otisci:	1255
Otisci u boji:	993
Ukupno broj otisaka:	2248

## Profil uređaja

Xerox oznake sredstva:	
Korisničke oznake sredstva:	
Telefonski broj za usluge:	
Broj tehničke podrške za korisnike:	
Broj telefona za potrošni materijal:	
Administrator sustava:	Ime administratora sustava nije post...
Lokacija uređaja:	Lokacija uređaja nije postavljena

## Upravlja

Primarni MB poslu itelj:

## Hardver uređaja

Faks kartica:	Nije prisutno
Veličina memorije faksa:	0 MB
Ploča stranog sučelja:	nije prisutno
Veličina RAM-a uređaja:	3904 MB
Veličina pohrane uređaja:	korišteno = 2983MB/ukupno = 13925MB (eMMC)
Veličina memorije EPC:	187 MB
Komplet za produktivnost:	Nije instalirano
Vrsta finišera:	Jednostavna izlazna ladica
Finišer s probijačem:	Ništa
Mapa finišera:	nije prisutno
Komplet za otkrivanje višestrukog um...	Nije instalirano

## Opće postavke

Daljinske usluge:	Omogućeno
Udaljeno preuzimanje softvera:	Omogućeno
Prijenos udaljenih usluga Vrijeme:	11:10
Xerox Workplace Cloud	Omogućeno
Upozorenja e-pošte:	Onemogućeno
Paket usluga:	Mjereno
Zemljopisno područje:	nepoznato
Pomak GMT:	+05:30
Instalacija kloniranja	Dopušteno (samo šifrirane datoteke)
Dijeljenje datoteka	Omogućeno
JBIG2	Bez gubitka

## Štedljivi način rada

Stanje dubokog mirovanja:	Omogućeno
Štedljivi način rada:	Zadatak aktiviran

## Pametni senzor blizine

Buđenje na dolasku:	Nedostupno
Mirovanje na odlasku:	

## Verzije softvera

Softver uređaja:	122.024.004.35400
Verzija zakrpe:	Ništa
Mre ni upravljač:	122.024.35400
Firmver upravljačke ploče korisničkog suč...	6.2
Modul označavanja:	230.315
Uvlačeći dokumenta:	230.315
Finišer:	000.000.000
Faks:	000.000.000
Skener:	230.315

## Nadogradnje uređaja:

Zadnja uspješna nadogradnja:	Dopušteno prosinac 24, 2024 11:39:56
------------------------------	---

## Ladice za medij

Ladica 1:	Obični, Bijela and A4 (210 x 297 mm)
Ladica 2:	Obični, Bijela and A4 (210 x 297 mm)
Ladica 3:	Uvezani papir, Bijela and A4 (210 x ...
Ladica 4:	Reciklirani, Bijela and A4 (210 x 29...
Ladica 5:	Laki sjajni karton, Bijela and A4 (210 x 29...
Zaobilazna ladica:	Obični, Bijela and A4 (210 x 297 mm)

## Instalirane opcije

PS:	Instalirano
-----	-------------

## Povezivost

## Mobilni tijekovi rada

Ispis AirPrint:	Omogućeno
Pronala enje pisača Mopria:	Omogućeno
Skeniranje AirPrint / Morphla	Omogućeno
Provjera autentičnosti	Onemogućeno

## Fizičke veze

Postavke USB-a	
USB priključci tipa A	Sve omogućeno
USB priključak tipa B	Onemogućeno
Bežično:	Omogućeno
MAC adresa Ethernet:	56:80:0e:a7:a8:9c
Brzina Ethernet / postavke dvostr:	automatski
Bežično:	Onemogućeno

## Bežično MAC adresa:

Naziv mreže (SSID):	
BSSID:	
Način sigurnosti:	
Algoritam šifriranja:	
Status:	

## Wi-Fi Direct:

Bežični hardver:	Omogućeno
Naziv Wi-Fi zaštićenog postavljanja ...	Nije instalirano
Pristupna točka (SSID):	
Prikaz zaporka na zaslonu uređaja osjetlj...	

## NFC:

iBeacon (Bluetooth®) za otkrivanje znača...	Omogućeno
Hardver za iBeacon:	Omogućeno
Adresa Bluetooth uređaja:	Nije instalirano
IP adresa uređaja iBeacon:	

## Protokoli

## TCP/IP v4:

IP adresa:	Omogućeno
Maska podmreže:	10.61.12.186
Ruter/pristupnik:	255.255.255.0
Automatsko adresiranje:	10.61.12.1
DHCP poslu itelj:	DHCP
Kraj najma DHCP-a:	10.61.13.224
Emitiranje BOOTP:	Fri Jan 10 16:35:33 2025
Stanje samostalno dodijeljene adrese:	Onemogućeno
Samostalno dodijeljena adresa:	Omogućeno

## TCP/IP v6:

Lokalna adresa na razini veze:	Omogućeno
Korištenje prefiksa usmjerenja:	fe80::5480:eff:fea7:a89c
Globalna adresa 1 bez stanja:	Omogućeno
Globalna adresa 2 bez stanja:	fd00:0:2:112:5480:eff:fea7:a89c
Ručna adresa:	::

## Adresiranje DHCP:

Adresa DHCP:	Koristi DHCP prema uputama usmjerenja
Zadani pristupnik:	fe80::8afc:5dff:fe75:e282

## DUID (jedinstveni identifikator DHCP):

DUID (jedinstveni identifikator DHCP):	
--	--

## Postavke DNS-a:

Zatvori eni naziv hosta:	XRX56800EA7A89C
Potvrđeni naziv hosta:	
Zatvori eni naziv domene:	
Potvrđeni naziv domene:	
mDNS:	Omogućeno
Pokreni najam DHCP-a i registracije ...	Onemogućeno
Primarni DNS poslu itelj:	10.61.7.15
Preferiraj IPv6 DNS umjesto IPv4:	Omogućeno

## Bonjour:

Naziv Bonjour pisača:	Xerox VersaLink C625 Color MFP (A7A...
-----------------------	--

## HTTP:

Zadavanje prometa putem sigurne veze (...)	Omogućeno
IPP	Da
Omogućeno	Omogućeno

## SNMP

SNMP v1/v2:	Omogućeno
SNMP v3:	Onemogućeno

## LPR/LPD:

LPR/LPD:	Omogućeno
----------	-----------

## Izravni ispis IP:

Izravni ispis IP:	Omogućeno
-------------------	-----------

## LDAP

LDAP poslu itelj 1, primarna LDAP ad...	0.0.0.0:389
---	-------------

LDAP poslu itelj 1, pretraživanje korijen...	Onemogućeno
--	-------------

LDAP poslu itelj 1, sigurna veza (LD...	Onemogućeno
---	-------------

## SMTP

SMTP poslu itelj:	10.61.10.8:25
-------------------	---------------

Šifriranje povezivanja (TLS):	Nema šifriranja
-------------------------------	-----------------

Provjera certifikata poslu itelja (T...	
---	--

## Protokoli (nast.)

POP3	
POP3 poslu itelj:	0.0.0.0:110
POP3 Sigurno veza (TLS):	Onemogućeno
Adresa e-pošte:	
NTP:	Onemogućeno
FTP klijent:	Omogućeno
Način rada FTP klijenta:	Neaktivno
Web usluge za uređaje:	Omogućeno

## Aplikacije

## Ispisivanje

Oglasna stranica:	Onemogućeno
Listovi s pogreškama:	Omogućeno
Zamjena papira:	Omogućeno
Prioritet ladica:	1, 2, 3, 4, 5, 6
Način označavanja arhive	Isključeno
PostScript	Instalirano
Razina:	3
Verzija:	3021.101
PCL	
Verzija:	6
Naziv fonta:	Courier
Prilagođene tablice boja	Omogućeno
Oznaka:	Nije instalirano
Faks:	Nije prisutno

Linija faksa 1:	
Linija faksa 2:	
Poslu iteljski faks:	Omogućeno
Protokol spremišta:	SFTP
Poslu itelj spremišta:	10.61.23.93:22
Putanja dokumenta spremišta:	/

## Skeniranje radnog tijeka:

E-pošta:	Omogućeno
Skeniranje na poštanski pretinac:	Omogućeno
Kapacitet pohrane (MB):	672 MB
Iskorištena pohrana (MB):	49 MB
Eišanjenje javnih mapa:	Omogućeno
Eišanjenje stvorenih mapa:	Omogućeno
Vrijeme eišanjenja:	Svakodnevno

## Skeniranje na početni zaslon:

Skeniraj na:	Omogućeno
Usluge u oblaku:	Onemogućeno
Ispis s:	Omogućeno
Spremljeni zadaci za ponovni ispis:	Omogućeno
Ispis s USB-a:	Omogućeno
Ispis iz poštanskog pretinca:	Onemogućeno
Usluge u oblaku:	Onemogućeno

## Računovodstvo

Način računovodstva:	Ništa
Mrežno računovodstvo:	Onemogućeno

## Sigurnost

## Konfiguracija provjere autentičnosti

Provjera autentičnosti UI na uređaju:	Lokalno na uređaju
Početni zaslon:	Otključano
Zadaci:	Otključano
Uređaj:	Otključano
Provjera autentičnosti uređaja na web mje...	Lokalno na uređaju
Autorizacija:	Lokalno na uređaju
Dohvaćanje e-pošte s LDAP-a:	Omogućeno
Poslu itelj za provjeru autentičnosti:	Kerberos
Xerox zaštićeni pristup:	Onemogućeno
Zapis za reviziju:	Omogućeno
Sig. IP:	Onemogućeno
Filtriranje IP:	Onemogućeno

## Sigurnosni certifikati

Certifikat uređaja:	Potpisano
Instalirani korisnički certifikati:	54

## 802.1x: Onemogućeno

## Uklanjanje podataka o zadatku:

Zakazano:	Onemogućeno
FIPS 140-3:	Onemogućeno
TLS:	TLS 1.2 i TLS 1.3
TLS Hash:	SHA-1, SHA-256 i noviji
Trellix Embedded Control:	Onemogućeno

## Uobičajeni korisnički podaci

Naziv uređaja:	Xerox VersaLink C625 Color MFP (A7:A...
IP adresa:	10.61.12.186
Serijski broj uređaja:	5322480247
Linija faksa 1:	
URL uređaja:	https://10.61.12.186
Datum aktivacije uređaja:	Jan 01, 1970 05:30:00
Crni otisci:	1255
Otisci u boji:	993
Ukupan broj otisaka:	2248

## Profil uređaja

Xerox oznake sredstva:	
Korisničke oznake sredstva:	
Telefonski broj za usluge:	
Broj tehničke podrške za korisnike:	
Broj telefona za potrošni materijal:	
Administrator sustava:	Ime administratora sustava nije post...
Lokacija uređaja:	Lokacija uređaja nije postavljena
<b>Upravlja</b>	
Primarni MB poslu itelj:	

## Hardver uređaja

Faks kartica:	Nije prisutno
Veličina memorije faksa:	0 MB
Ploča stranog sučelja:	nije prisutno
Veličina RAM-a uređaja:	3904 MB
Veličina pohrane uređaja:	korišteno=2983MB/ukupno=13925MB (eMMC)
Veličina memorije EPC:	187 MB
Komplet za produktivnost:	Nije instalirano
Vrsta finišera:	Jednostavna izlazna ladica
Finišer s probijačem:	Ništa
Mapa finišera:	nije prisutno
Komplet za otkrivanje višestrukog um...	Nije instalirano

## Opće postavke

Daljinske usluge:	Omogućeno
Udaljeno preuzimanje softvera:	Omogućeno
Prijenos udaljenih usluga Vrijeme:	11:10
Xerox Workplace Cloud	Omogućeno
Upozorenja e-pošte:	Onemogućeno
Paket usluga:	Mjereno
Zemljopisno područje:	nepoznato
Izveštaje konfiguriranja pokretanja:	Omogućeno
Pomak GMT:	+05:30
Instalacija kloniranja	Dopušteno (samo šifrirane datoteke)
Dopusti skeniranje ispisanih kloniranih dat...	Omogućeno
Dijeljenje datoteka	Omogućeno
JBIG2	Bez gubitka

## Štedljivi način rada

Stanje dubokog mirovanja:	Omogućeno
Štedljivi način rada:	Zadatak aktiviran
Tajmer načina mirovanja:	120 minute
Auto isključivanje:	Onemogućeno

## Verzije softvera

Softver uređaja:	122.024.004.35400
Verzija zakrpe:	Ništa
Mre ni upravljač:	122.024.35400
Firmver upravljačke ploče korisničkog suč...	6.2
Korisničko sučelje:	122.024.35400
Modul označavanja:	230.315
Upravljač kopiranja:	122.024.35400
Uvlačenje dokumenata:	230.315
Finišer:	000.000.000
Faks:	000.000.000
OS:	230.315
Skener:	230.315
Nadogradnja softvera:	005.007
Nadogradnja softvera ALTB00T:	005.007
Ladica 2:	A15.51_B2.3
Ladica 3:	A15.51_B2.3
Ladica 4:	A15.51_B2.3
Ladica 5:	A15.51_B2.3

## Nadogradnje uređaja

Zadnja uspješna nadogradnja:	Dopušteno
Zakazane auto nadogradnje:	prosinac 24, 2024 11:39:56
Vrijeme početka auto nadogradnje:	Onemogućeno
Poslu itelj auto nadogradnje:	Svakodnevno
	0.0.0.0:21

## Ladice za medij

Ladica 1:	Obični, Bijela and A4 (210 x 297 mm)
Ladica 2:	Obični, Bijela and A4 (210 x 297 mm)
Ladica 3:	Uvezani papir, Bijela and A4 (210 x ...
Ladica 4:	Reciklirani, Bijela and A4 (210 x 29...
Ladica 5:	Lakl sjajni karton, Bijela and A4 (210 x 29...
Zaobilazna ladica:	Obični, Bijela and A4 (210 x 297 mm)

## Povezivost

## Mobilni tijekovi rada

Ispis AirPrint:	Omogućeno
Pronalačenje pisača Mopria:	Omogućeno
Skeniranje AirPrint / Morphia:	Omogućeno
Provjera autentičnosti:	Onemogućeno
Univerzalni ispis:	Onemogućeno
Status registracije univerzalnog isp...	Nije registrirano
<b>Fizičke veze</b>	
<b>Postavke USB-a</b>	
USB priključci tipa A:	Sve omogućeno
USB priključak tipa B:	Onemogućeno
Istek vremena veze:	5 sekunde
ičano:	Omogućeno
MAC adresa Ethernet:	56:80:0e:a7:a8:9c
Brzina Ethernet / postavke dvostr...	automatski
Be ično:	Onemogućeno
Be ično MAC adresa:	
Naziv mreže (SSID):	
BSSID:	
Način sigurnosti:	
Algoritam šifriranja:	
Status:	
<b>Wi-Fi Direct:</b>	Omogućeno
Be ični hardver:	Nije instalirano
Naziv Wi-Fi zaštićenog postavljanja ...	
Metoda povezivanja:	
Adresa pod mreže nog prefiksa:	
Pristupna točka (SSID):	
Prikaz zaparke na zaslonu uređaja osjetlj...	
<b>NFC:</b>	Omogućeno
iBeacon (Bluetooth®) za otkrivanje znača...	Omogućeno
Hardver za iBeacon:	Nije instalirano
Adresa Bluetooth uređaja:	
IP adresa uređaja iBeacon:	

## Protokoli

## TCP/IPv4:

IP adresa:	Omogućeno	10.61.12.186
Maska pod mreže:	255.255.255.0	
Ruter/pristupnik:	10.61.12.1	
Automatsko adresiranje:	DHCP	
DHCP poslu itelj:	10.61.13.224	
Kraj najma DHCP-a:	Fri Jan 10 16:35:33 2025	
Emitiranje BOOTP:	Onemogućeno	
Stanje samostalno dodijeljene adrese:	Omogućeno	
Samostalno dodijeljena adresa:		

## TCP/IPv6:

Lokalna adresa na razini veze:	Omogućeno	fe80::5480:eff:fea7:a89c
Korištenje prefiksa usmjerivača:	Omogućeno	fd00:0:2:112:5480:eff:fea7:a89c
Globalna adresa 1 bez stanja:		::
Globalna adresa 2 bez stanja:		::
Ručna adresa:		
Adresiranje DHCP:	Koristi DHCP prema uputama usmjerivača	
Adresa DHCP:		
Zadani pristupnik:	fe80::8afc:5dff:fe75:e282	
DUID (jedinstveni identifikator DHCP):		

## Postavke DNS-a:

Zatraži naziv hosta:	XXR56800EA7A89C
Potvrđeni naziv hosta:	
Zatraži naziv domene:	
Potvrđeni naziv domene:	
mDNS:	Omogućeno
Pokreni najam DHCP-a i registracije ...	Onemogućeno
Primarni DNS poslu itelj:	10.61.7.15
Zamjenski DNS poslu itelj 1:	10.61.10.6
Zamjenski DNS poslu itelj 2:	::
Stanka povezivanja DNS-a:	5
Pridruivanje domene uređaja:	Omogućeno
Pridruivanje nadređene domene:	Onemogućeno
Popis pretraivanja domene DNS:	XEROXQA.COM
Preferiraj IPv6 DNS umjesto IPv4:	Omogućeno

## Instalirane opcije

PS:	Instalirano
-----	-------------

## Protokoli (nast.)

<b>Banjour:</b>	
Naziv Banjour pisaoča:	Xerox VersaLink C625 Color MFP (A7A...
<b>HTTP:</b>	
Broj priključka:	Omogućeno
Zadavanje prometa putem sigurne veze (...):	80
Broj sigurnog HTTP priključka:	Da
Proxy poslu itelj:	443
Adresa proxy poslu itelja:	Ručno
IPP:	10.177.8.91:8080
Način sigurnog IPP-ja:	Omogućeno
IPP mreži put:	IPP i sigurni IPPS
<b>SNMP</b>	
SNMP v1/v2:	http://10.61.12.186:631
SNMP v3:	Omogućeno
<b>LPR/LPD:</b>	
Broj priključka:	Omogućeno
Prebacivanje PDL-a:	Omogućeno
PDL zamjena oglasa:	Omogućeno
<b>Izravni ispis IP:</b>	
Broj priključka 1:	Omogućeno
Dvosmjerna:	9100
Stanka na kraju zadatka:	Omogućeno
Prebacivanje PDL-a:	300
<b>LDAP</b>	
LDAP poslu itelj 1, prilagođeni naziv:	Omogućeno
LDAP poslu itelj 1, primarna LDAP ad...:	0.0.0.0:389
LDAP poslu itelj 1, zamjenska LDAP a...:	0.0.0.0:389
LDAP poslu itelj 1, pretraživanje korijen...:	Omogućeno
LDAP poslu itelj 1, sigurna veza (LD...):	Omogućeno
LDAP poslu itelj 1, provjerite valjanost ce...:	Omogućeno
<b>SMTP</b>	
SMTP poslu itelj:	10.61.10.8:25
Šifriranje povezivanja (TLS):	Nema šifriranja
Provjeri certifikata poslu itelja (T...):	10240
Maks. veličina poruke (KB):	1
Broj fragmenata:	300000
Ukupna veličina posla (KB):	Granica stranice
Granica podjele posla:	Ništo
Podaci za auto e-poštu:	Ništo
Podaci za Walkup korisnike:	Ništo
<b>POP3</b>	
POP3 poslu itelj:	0.0.0.0:110
POP3 Sigurna veza (TLS):	Omogućeno
Adresa e-pošte:	Omogućeno
Primitak e-pošte putem POP3:	Omogućeno
Slanje potvrde na zahtjev:	Omogućeno
Naslovna stranica ulazne e-pošte:	Omogućeno
<b>NTP:</b>	
Primarni poslu itelj:	0.0.0.0:123
Alternativni poslu itelj:	0.0.0.0:123
<b>SLP:</b>	
<b>FTP klijent:</b>	
Način rada FTP klijenta:	Omogućeno
<b>Web usluge za uređaje:</b>	
WS otkrivanje:	Omogućeno
WS otkrivanje višesmjernog slanja:	Omogućeno
WS ispis:	Omogućeno
WS skeniranje:	Omogućeno
<b>Mrežne usluge</b>	
Kopiraj podneseno:	Omogućeno
Upravljanje digitalnim certifikatima i konf...:	Omogućeno
Registracija proširivih usluga:	Omogućeno
Ograničenja zadatka:	Omogućeno
Proširenje za upravljanje poslovima:	Omogućeno
Konfiguracija uređaja:	Omogućeno
Skeniraj podneseno:	Omogućeno
Upravljanje skeniranjem radnog tijeka:	Omogućeno
Podaci sesije:	Omogućeno
Konfiguracija korisničkog sučelja:	Omogućeno
Konfiguracija EIP proxyja:	Omogućeno
Xerox zaštićeni pristup:	Omogućeno
Konfiguracija SNMP-a EIP:	Omogućeno
Slanje ispisa:	Omogućeno
Upr. predloškom sken:	Omogućeno
Pristup masovnoj pohrani:	Omogućeno
Pristup čitaču kartice:	Omogućeno
Konfiguracija provjere autentičnosti i rač...:	Omogućeno
Izvezi zapis za reviziju:	Omogućeno
Trellix Embedded Control:	Omogućeno

## Aplikacije

## Ispisivanje

Oglasna stranica:	Omogućeno
Sus/pokretanje posla:	Omogućeno
Izbrisi zadane zadatke nakon:	3 Day(s) 0 Hour(s) 0 Minute(s)
Lista s pogreškama:	Omogućeno
Zamjena papira:	Omogućeno
Prioritet ladica:	1,2,3,4,5,6
Zadane kopije:	1
Zadana vrsta zadatka:	Probni ispis
Zadana veličina papira:	x=8.50 inches, y=11.00 inches
Zadana boja papira:	Bijela
Zadani dvostrani ispis:	Dvostrano
Zadana izlazna ladica:	Središnja ladica
Zadana izlazna boja:	Boja
Zadani poredani skupovi:	Omogućeno
Zadano spajanje:	Nema spajalice
Poravnavanje između zadataka:	Nema pomaka između zadataka
Način označavanja arhive	Isključeno
<b>PostScript</b>	
Razina:	Instalirano
Vežnja:	3
Kvaliteta slike:	3021.101
<b>PCL</b>	
Vežnja:	Poboljšano
Veličina razmaka:	6
Veličina točke:	10.00
Naziv fonta:	12.00
Redaka po stranici:	Courier
Prilagođene tablice boja	60
Oznaka:	Omogućeno
<b>Faks:</b>	
Linija faksa 1:	Nije instalirano
Linija faksa 2:	Nije prisutno

## Poslu iteljski faks:

Omogućeno
Uključeno
Omogućeno
SMTP
10.61.23.93:22
\
Omogućeno
Uključeno
SMB
10.61.23.93:445
/
Uređaj
SMB
0.0.0.0:0
Uređaj
SMB
0.0.0.0:0

## E-pošta:

Omogućeno	
Zadano s adrese:	rathimeenas@xeroxqa.com
Putanja dokumenta zadalog spremišta:	Uključeno
Podaci za prijavu na zadano spremište:	Omogućeno
Protokol Alt 1 spremišta:	Omogućeno
Podaci za prijavu na Alt 1 spremište:	Omogućeno
Protokol skupa radnih tijekova:	Omogućeno
Put skupa radnih tijekova:	Omogućeno

## Skeniranje na poštanski pretinac:

Omogućeno	
Zadano pregledavanje poštanskih pret...	Omogućeno
Kapacitet pohrane (MB):	672 MB
Iskorištena pohrana (MB):	49 MB
Éišaenje javnih mapa:	Omogućeno
Éišaenje stvorenih mapa:	Omogućeno
Vrijeme éišaenja:	Švakodnevno

## Skeniranje na početni zaslon:

Omogućeno	
Prilagođeni naziv:	Omogućeno
Naziv tjeka rada:	Omogućeno
Auto stvari poddirek...:	Omogućeno
Dodaj korisničko ime u putanju:	Omogućeno
Auto stvar. dir. korisničkog imena:	Omogućeno

## Skeniraj na:

Usluge u oblaku:	Omogućeno
<b>Ispis s:</b>	
Spremljeni zadaci za ponovni ispis:	Omogućeno
Ispis s USB-a:	Omogućeno
Ispisi iz poštanskog pretinca:	Omogućeno
Usluge u oblaku:	Omogućeno

**Računovodstvo**

Način računovodstva:	Ništa
Mrežno računovodstvo:	Onemogućeno

**Sigurnost****Konfiguracija provjere autentičnosti**

Provjera autentičnosti UI na uređaju:	Lokalno na uređaju
Početni zaslon:	Otključano
Zadaci:	Otključano
Uređaj:	Otključano
Provjera autentičnosti uređaja na web mje...	Lokalno na uređaju
Autorizacija:	Lokalno na uređaju
Dohvaćanje e-pošte s LDAP-a:	Onemogućeno

**Poslu itelj za provjeru autentičnosti:**

Kerberos

**Kerberos primarno područje:**

Kerberos primarna adresa: 0.0.0.88

Kerberos Alt 1 područje:

Kerberos Alt 1 adresa: 0.0.0.88

SMB NT domena:

SMB Alt 1 NT domena:

Poslu itelj uprav. p. karticom: 0.0.0.443

Domena uprav. p. karticom:

URL OCSP-a p. kartice:

Pravilo za nadogradnju čitača kartica:

Onemogućeno

Verzija firmvera čitača kartica:

**Xerox zaštićeni pristup:**

Onemogućeno

Poslu itelj za sigurni pristup: 0.0.0.443

Putanja za sigurni pristup:

**Zapis za reviziju:**

Onemogućeno

**Sig. IP:**

Onemogućeno

**Filtriranje IP:**

Onemogućeno

**Sigurnosni certifikati**

Certifikat uređaja:

Potpisano

Instalirani korisnički certifikati:

54

**802.1x:**

Onemogućeno

**Uklanjanje podataka o zadatku:**

Zakazano:

Onemogućeno

Učestalost zakazanog:

Mjesečno

**FIPS 140-3:**

Onemogućeno

**TLS:**

TLS Hash:

TLS 1.2 i TLS 1.3

**Trellix Embedded Control:**

SHA-1, SHA-256 i noviji

Onemogućeno

**Postavljanje proširivih usluga**

Preglednik treće generacije:	X3G_3.24.23_240.5_012_01.00.00
Verzija widgeta:	v1.3.17 c8 20140613
Verzija widgeta:	v2.5.04 g9 20240123

# Sa etak naplate

## Informacije o sustavu

Naziv uređaja:	Xerox VersaLink C625 Color MFP (A7:A...	Verzije softvera	
Serijski broj uređaja:	5322480247	Softver uređaja:	122.024.004.35400
Uključeni otisci:	43	Verzija zakrpe:	Ništa
		Mre ni kontroler:	122.024.35400
		Firmver upravljačke ploče korisničkog sučelja:	6.2
		Modul označavanja:	230.315
		Uvlakač dokumenata:	230.315
		Finišer:	000.000.000
		Faks:	000.000.000
		Skener:	230.315

## Mjerenja naplate

<b>Faks</b>		Obični papir:	418
Poslane slike ugrađenog faksa:	0	Uvezani papir:	7
Otisci ugrađenog faksa:	0	Reciklirani:	8
		Zaglavlje pisma:	7
		Papir sa sjajnim premazom:	6
<b>Kopiraj</b>			
Otisci crnih kopija:	338		
Otisci kopija u boji:	131		
<b>Ispiši</b>			
Otisci crnih ispisa:	831		
Otisci ispisa u boji:	836		
<b>Skeniranje</b>			
Poslane slike mre nog skeniranja:	101		
Poslane slike e-pošte:	5		
<b>Ukupan broj uređaja</b>			
Crni otisci:	1255		
Otisci u boji:	993		
Ukupan broj otisaka:	2248		

**Datos de usuario comunes**

Nombre del dispositivo: Xerox VersaLink C625 Color MFP (A7A...  
 Dirección IP: 10.61.12.186  
 Número de serie del dispositivo: 5322480247  
 Línea de fax 1:  
 URL del dispositivo: https://10.61.12.186  
 Fecha de activación de la máquina: Jan 01, 1970 05:30:00  
 Impresiones en negro: 1262  
 Impresiones en cian: 1019  
 Total de impresiones: 2281

**Perfil de dispositivo**

Código de recurso de Xerox  
 Código de recurso del cliente  
 Teléfono de servicio técnico:  
 Número de asistencia al cliente:  
 Número de teléfono de suministros:  
 Administrador del sistema: nombre del administrador del sistema no de...  
 Ubicación del dispositivo: ubicación del dispositivo no definida

**Administrado por**

Servidor MB principal:

**Hardware de dispositivo**

Tarjeta de fax: No se encuentra  
 Tamaño memoria fax: 0 MB  
 Tarjeta de interfaz de terceros: ausente  
 Cantidad de RAM del dispositivo: 3904 MB  
 Cantidad de almacenamiento del dispo... usados= 3015MB/total=13925MB (eMMC)  
 Tamaño memoria EPC: 187 MB  
 Kit de productividad: No instalado  
 Tipo de acabadora: Bandeja de salida escalonada  
 Perforación de acabadora: Ninguna  
 Plegadora de la acabadora: ausente  
 Kit de detección de alimentación múlt... No instalado

**Configuración general**

Servicios remotos: Activado  
 Descarga del software de acceso remoto: Activado  
 Transm. Servicios remotos. Hora: 11:10  
 Xerox Workplace Cloud: Activado  
 Alertas de e-mail: Desactivada  
 Plan de servicio: Contador  
 Región geográfica: Desconocido  
 Diferencia horaria con GMT: +05:30  
 Instalación de archivo de clonación: Permisivo (solo archivos cifrados)  
 Uso compartido de archivos: Activado  
 JBIG2: Sin pérdida

**Ahorro de energía**

Reposo: Activado  
 Modo de ahorro de energía: Trabajo activado

**Sensor inteligente de proximidad**

Activar al llegar: No está disponible  
 Suspender al salir:

**Versiones de software**

Software del dispositivo: 122.024.004.35400  
 Versión de revisión: Ninguno  
 Controlador de red: 122.024.35400  
 Firmware del panel de la interfaz de... 6.2  
 Motor de marcado: 230.315  
 Alimentador de documentos: 230.315  
 Acabadora: 000.000.000  
 Fax: 000.000.000  
 Escáner: 230.315

**Actualizaciones del dispositivo:**

Última actualización exitosa: Diciembre 24, 2024 11:39:56

**Bandejas del papel**

Bandeja 1: Común, Blanco and A4 (210 x 297 mm)  
 Bandeja 2: Común, Blanco and A4 (210 x 297 mm)  
 Bandeja 3: Bond, Blanco and A4 (210 x 297 mm)  
 Bandeja 4: Reciclado, Blanco and A4 (210 x 297 mm)  
 Bandeja 5: Cartulina ligera brillante, Blanco and A4 (2...  
 Bandeja especial: Común, Blanco and A4 (210 x 297 mm)

**Opciones instaladas**

PS: Instalado

**Conectividad**

**Flujos de trabajo móviles**

Impresión AirPrint: Activado  
 Detección de impresión Mopria: Activado  
 Escaneado de AirPrint / Mopria: Activado  
 Autenticación: Desactivada

**Conexiones físicas**

Configuración de USB: Todo activado  
 Puertos USB tipo A: Desactivada  
 Puerto USB tipo B: Activado  
 Conexión cableada: 56:80:0e:a7:a8:9c  
 Dirección Mac de Ethernet: auto  
 Opción de velocidad/dúplex de Ethernet: Desactivada

**Conexión inalámbrica:**

Dirección MAC inalámbrica:  
 Nombre de la red (SSID):  
 BSSID:  
 Modo de seguridad:  
 Algoritmo de cifrado:  
 Estado:

**Wi-Fi Direct:**

Hardware inalámbrico: Activado  
 No instalado  
 Nombre de configuración Wi-Fi protegida ...  
 Punto de acceso (SSID):  
 Mostrar clave en la pantalla táctil del disp...

**NFC:**

Detección de iBeacon (Bluetooth®) para A...: Activado  
 Hardware de iBeacon: Activado  
 Dirección del dispositivo Bluetooth: No instalado  
 Dirección IP de iBeacon:

**Protocolos**

**TCP/IPV4:**

Dirección IP: Activado  
 10.61.12.186  
 Máscara de subred: 255.255.255.0  
 Encaminador/Puerta de enlace: 10.61.12.1  
 Direccionamiento automático: DHCP  
 Servidor DHCP: 10.61.13.224  
 Caducidad de concesión DHCP: Fri Jan 10 16:35:33 2025  
 Difusión BOOTP: Desactivada  
 Estado de dirección autoasignada: Activado  
 Dirección autoasignada:

**TCP/IPV6:**

Enlazar dirección local: Activado  
 fe80::5480:eff:fea7:a89c  
 Usar prefijo del encaminador: Activado  
 Dirección global 1 sin estado: fd00::2:112:5480:eff:fea7:a89c  
 Dirección global 2 sin estado: ::  
 Dirección manual:  
 Direccionamiento DHCP: Usar DHCP dirigido por el encaminador  
 Dirección DHCP:  
 Puerta de enlace prefijada: fe80::8afc:5dff:fe75:e282  
 DUID (identificador único de DHCP):

**Opciones de DNS:**

Nombre de host solicitado: XRX56800EA7A89C  
 Nombre del host verificado:  
 Nombre de dominio solicitado:  
 Nombre de dominio verificado:  
 DNS multidestino: Activado  
 Liberar concesiones DHCP y registros...: Desactivada  
 Servidor de DNS principal: 10.61.7.15  
 Preferir dirección IPv6 DNS sobre IPv4: Activado

**Bonjour:**

Nombre de la impresora Bonjour: Xerox VersaLink C625 Color MFP (A7A...

**HTTP:**

Forzar el tráfico en la conexión segura (...): Activado  
 IPP: Sí  
 Activado

**SNMP**

SNMP v1/v2: Activado  
 SNMP v3: Desactivada

**LPR/LPD:**

Activado

**Impresión IP sin procesar:**

Activado

**LDAP**

Servidor LDAP 1 - Dirección LDAP pri...: 0.0.0.0:389  
 Servidor LDAP 1 - Raíz de directorio de b...  
 Servidor LDAP 1 - Conexión segura (L...: Desactivada  
 Servidor LDAP 1 - Validar certificado del ...: Desactivada

**SMTp**

Servidor SMTp: 10.61.10.8:25  
 Cifrado de la conexión (TLS): Sin cifrado  
 Validar el certificado del servidor ...

**Protocolos (cont.)**

POP3	
Servidor POP3:	0.0.0.110
Conexión segura (TLS) POP3:	Desactivada
Dirección de e-mail:	
NTP:	Desactivada
Cliente de FTP:	Activado
Modo cliente de FTP:	Pasivo
Servicios web en el dispositivo:	Activado

**Aplicaciones****Imprimiendo**

Portada:	Desactivada
Hojas de errores:	Activado
Sustitución del papel:	Activado
Prioridad de bandejas:	1,2,3,4,5,6
Modo de marcado de archivo:	Desactivado
PostScript	Instalada
Nivel:	3
Versión:	3021.101
PCL	
Versión:	6
Nombre de fuente:	Courier
Tablas de colores personalizados	Activado
Etiqueta:	No instalado
Fax:	No se encuentra
Línea de fax 1:	
Línea de fax 2:	

**Fax de servidor:**

Protocolo de depósitos:	SFTP
Servidor de depósitos:	10.61.23.93:22
Ruta de depósito de documentos:	/

**Escaneado de flujo de trabajo:**

Activado

**E-mail:**

Activado

**Escaneado a buzón:**

Activado

Capacidad de almacenamiento (MB):	672 MB
Almacenamiento usado (MB):	49 MB
Limpieza de carpetas públicas:	Activado
Limpieza de carpetas creadas:	Activado
Hora de limpieza:	Cada día

**Escaneado a base activado:**

Desactivado

**Escanear a:**

Activado

Servicios en la nube:	Desactivada
-----------------------	-------------

**Imprimir desde:**

Activado

Trabajos guardados para reimpresión:	Activado
Imprimir desde USB:	Activado
Imprimir desde buzón:	Desactivada
Servicios en la nube:	Desactivado

**Contabilidad**

Modo de contabilidad:	Ninguno
Contabilidad de red:	Desactivada

**Seguridad****Configuración de autenticación**

Autenticación de interfaz del disposit...	Localmente en el dispositivo
Particular:	Sin bloquear
Trabajos:	Sin bloquear
Dispositivo:	Sin bloquear
Autenticación del sitio web del disp...	Localmente en el dispositivo
Autorización:	Localmente en el dispositivo
Recuperar e-mail de LDAP:	Activado

**Servidor de autenticación:**

Kerberos

**Xerox Secure Access:**

Desactivada

**Registro de auditoría:**

Activado

**Seguridad IP (IPsec):**

Desactivada

**Filtrado IP:**

Desactivado

**Certificados de seguridad**

Certificado del dispositivo:	Firmado
Certificados raíz instalados:	54

**802.1x:**

Desactivada

**Eliminación de datos del trabajo:**

Programado:	Desactivado
-------------	-------------

**FIPS 140-3:**

Desactivada

**TLS:**

Hash TLS:	TLS 1.2 y TLS 1.3
-----------	-------------------

**Control integrado Trellix:**

Desactivado

## Datos de usuario comunes

Nombre del dispositivo:	Xerox VersaLink C625 Color MFP (A7:A...
Dirección IP:	10.61.12.186
Número de serie del dispositivo:	5322480247
Línea de fax 1:	
URL del dispositivo:	https://10.61.12.186
Fecha de activación de la máquina:	Jan 01, 1970 05:30:00
Impresiones en negro:	1264
Impresiones en cian:	1021
Total de impresiones:	2285

## Perfil de dispositivo

Código de recurso de Xerox	
Código de recurso del cliente	
Teléfono de servicio técnico:	
Número de asistencia al cliente:	
Número de teléfono de suministros:	
Administrador del sistema:	nombre del administrador del sistema no de...
Ubicación del dispositivo:	ubicación del dispositivo no definida

## Administrado por

Servidor MB principal:

## Hardware de dispositivo

Tarjeta de fax:	No se encuentra
Tamaño memoria fax:	0 MB
Tarjeta de interfaz de terceros:	ausente
Cantidad de RAM del dispositivo:	3904 MB
Cantidad de almacenamiento del dispo...	usados=2998MB/total=13925MB (eMMC)
Tamaño memoria EPC:	187 MB
Kit de productividad:	No instalado
Tipo de acabadora:	Bandeja de salida escalonada
Perforación de acabadora	Ninguna
Plegadora de la acabadora:	ausente
Kit de detección de alimentación múl...	No instalado

## Configuración general

Servicios remotos:	Activado
Descarga del software de acceso remoto:	Activado
Transm. Servicios remotos. Hora:	11:10
Xerox Workplace Cloud	Activado
Alertas de e-mail:	Desactivada
Plan de servicio:	Contador
Región geográfica	Desconocido
Informe de configuración de arranque:	Activado
Diferencia horaria con GMT:	+05:30
Instalación de archivo de clonación	Permitido (solo archivos cifrados)
Permitir el envío de impresión de archivos...	Activado
Uso compartido de archivos	Activado
JBIG2	Sin pérdida
Ahorro de energía	
Reposa:	Activado
Modo de ahorro de energía:	Trabajo activado
Temporizador Modo suspensión:	120 minutos
Apagado automático:	Desactivada

## Versiones de software

Software del dispositivo:	122.024.004.35400
Versión de revisión:	Ninguno
Controlador de red:	122.024.35400
Firmware del panel de la interfaz de...	6.2
Interfaz de usuario:	122.024.35400
Motor de marcado:	230.315
Controlador de copia:	122.024.35400
Alimentador de documentos:	230.315
Acabadora:	000.000.000
Fax:	000.000.000
SO:	230.315
Escáner:	230.315
Actualización de software:	005.007
Actualización de software de ALTB00T	005.007
Bandeja 2:	A15.51_B2.3
Bandeja 3:	A15.51_B2.3
Bandeja 4:	A15.51_B2.3
Bandeja 5:	A15.51_B2.3
Actualizaciones del dispositivo:	Permitido
Última actualización exitosa:	Diciembre 24, 2024 11:39:56
Actualizaciones automáticas programa...	Desactivada
Hora de inicio de actualización auto...	Cada día
Servidor de actualizaciones automáti...	0.0.0.0:21

## Bandejas del papel

Bandeja 1:	Común, Blanco and A4 (210 x 297 mm)
Bandeja 2:	Común, Blanco and A4 (210 x 297 mm)
Bandeja 3:	Bond, Blanco and A4 (210 x 297 mm)
Bandeja 4:	Reciclado, Blanco and A4 (210 x 297 mm)
Bandeja 5:	Cartulina ligera brillante, Blanco and A4 (2...
Bandeja especial:	Común, Blanco and A4 (210 x 297 mm)

## Conectividad

### Flujos de trabajo móviles

Impresión AirPrint:	Activado
Detección de impresión Mopria:	Activado
Escaneo de AirPrint / Mopria	Activado
Autenticación	Desactivada
Impresión universal:	Desactivada
Estado de registro de la impresión u...	No registrado

### Conexiones físicas

Configuración de USB	
Puertos USB tipo A	Todo activado
Puerto USB tipo B	Desactivado
Tiempo de espera de conexión	5 segundos
Conexión cableada:	Activado
Dirección Mac de Ethernet:	56:80:0e:a7:a8:9c
Opción de velocidad/dúplex de Ethernet:	auto
Conexión inalámbrica:	Desactivada

### Conexión inalámbrica:

Dirección MAC inalámbrica:	
Nombre de la red (SSID):	
BSSID:	
Modo de seguridad:	
Algoritmo de cifrado:	
Estado:	
Wi-Fi Direct:	Activado
Hardware inalámbrica:	No instalado
Nombre de configuración Wi-Fi protegida ...	
Método de conexión:	
Dirección de prefijo de la subred:	
Punto de acceso (SSID):	
Mostrar clave en la pantalla táctil del disp...	
NFC:	Activado
Detección de iBeacon (Bluetooth®) para A...	Activado
Hardware de iBeacon:	No instalado
Dirección del dispositivo Bluetooth:	
Dirección IP de iBeacon:	

## Protocolos

### TCP/IPv4:

Dirección IP:	Activado	10.61.12.186
Máscara de subred:		255.255.255.0
Encaminador/Puerta de enlace:		10.61.12.1
Direccionamiento automático:		DHCP
Servidor DHCP:		10.61.13.224
Caducidad de concesión DHCP:		Fri Jan 10 16:35:33 2025
Difusión BOOTP:		Desactivada
Estado de dirección autoasignada:		Activado

### TCP/IPv6:

Enlazar dirección local:	Activado	fe80::5480:eff:fea7:a89c
Usar prefijo del encaminador:	Activado	fd00:0:2:11:2:5480:eff:fea7:a89c
Dirección global 1 sin estado:		::
Dirección global 2 sin estado:		::
Dirección manual:		
Direccionamiento DHCP:		Usar DHCP dirigido por el encaminador
Dirección DHCP:		
Puerta de enlace prefijada:		fe80::8afc:5dff:fe75:e282
DUID (identificador único de DHCP):		

### Opciones de DNS:

Nombre de host solicitado:		XXR56800EA7A89C
Nombre de host verificado:		
Nombre de dominio solicitado:		
Nombre de dominio verificado:		
DNS multidestino:	Activado	
Liberar concesiones DHCP y registros...	Desactivada	
Servidor de DNS principal:		10.61.7.15
Servidor DNS suplente 1:		10.61.10.6
Servidor DNS suplente 2:		::
Tiempo de espera para conexión DNS:		5
Agregar dominio de dispositivo:	Activado	
Agregar dominios primarios:	Desactivada	
Lista de búsqueda de dominio DNS:		XEROXQA.COM.
PREFERIR DIRECCIÓN IPV6 DNS SOBRE IPV4:	Activado	

## Opciones instaladas

PS:	Instalado
-----	-----------

**Protocolos (cont.)**

<b>Bonjour:</b>	
Nombre de la impresora Bonjour:	Xerox VersaLink C625 Color MFP (A7-A...
<b>HTTP:</b>	
Número del puerto:	80
Forzar el tráfico en la conexión segura (...):	Si
Número de puerto HTTP protegido:	443
Servidor proxy:	Manual
Dirección de servidor proxy:	10.177.8.91:8080
IPP:	Activado
Modo IPP protegido:	IPP e IPPS segura
Ruta de red IPP:	http://10.61.12.186:631
<b>SNMP</b>	
SNMP v1/v2:	Activado
SNMP v3:	Desactivado
<b>LPR/LPD:</b>	
Número del puerto:	515
Cambio de PDL:	Desactivado
Substituir portada PDL:	Desactivado
<b>Impresión IP sin procesar:</b>	
Número de puerto 1:	9100
Bidireccional:	Desactivado
Fin de espera de trabajo:	300
Cambio de PDL:	Desactivado
<b>LDAP</b>	
Servidor LDAP 1 - Nombre descriptivo:	
Servidor LDAP 1 - Dirección LDAP pri...:	0.0.0.0:389
Servidor LDAP 1 - Dirección LDAP alterna...:	0.0.0.0:389
Servidor LDAP 1 - Raíz de directorio de b...:	
Servidor LDAP 1 - Conexión segura (L...):	Desactivado
Servidor LDAP 1 - Validar certificado del ...:	Desactivado
<b>SMTP</b>	
Servidor SMTP:	10.61.10.8:25
Cifrado de la conexión (TLS):	Sin cifrado
Validar el certificado del servidor ...:	
Tamaño de mensaje máximo (KB):	10240
Número de fragmentos:	1
Tamaño de trabajo total (KB):	300000
Límite de separación de trabajo:	Límite de página
Identidad para e-mails automáticos:	Ninguno
Identidad para usuario local:	Ninguno
<b>POP3</b>	
Servidor POP3:	0.0.0.0:110
Conexión segura (TLS) POP3:	Desactivado
Dirección de e-mail:	
Recepción de correo electrónico mediante ...:	Desactivado
Enviar confirmación a petición:	Activado
Portada correo elec. entrante:	Activado
<b>NTP:</b>	
Servidor principal:	0.0.0.0:123
Servidor alternativo:	0.0.0.0:123
<b>SLP:</b>	
Cliente de FTP:	Activado
Modo cliente de FTP:	Pasivo
<b>Servicios web en el dispositivo:</b>	
Detección de WS:	Activado
Multidifusión de detección de WS:	Activado
Impresión de WS:	Activado
Escaneado de WS:	Activado
<b>Servicios web</b>	
Envío de copia:	Activado
Gestión del certificado digital y configura...:	Activado
Registro de servicio extensible:	Activado
Límites de trabajos:	Activado
Extensión de gestión de trabajos:	Activado
Configuración del dispositivo:	Activado
Envío de escaneado:	Activado
Administración de flujos de trabajo de esc...:	Activado
Datos de sesión:	Activado
Configuración de la interfaz del usu...:	Activado
Configuración de Proxy de EIP:	Activado
Xerox Secure Access:	Desactivado
Configuración de SNMP de EIP:	Activado
Envío de impresión:	Activado
Gestión plantillas escaneada:	Activado
Acceso de almacenamiento masivo:	Activado
Acceso de lector de tarjetas:	Activado
Configuración de autenticación y cantabil...:	Activado
Exportar registro de auditoría:	Activado
Control integrado Trellix:	Activado

**Aplicaciones**

**Imprimiendo**

Portada:	Desactivada
Sistema/Iniciar trabajo:	Desactivada
Eliminar trabajos retenidos después de:	3 Day(s) 0 Hour(s) 0 Minute(s)
Hojas de errores:	Activado
Sustitución del papel:	Activado
Prioridad de bandejas:	1,2,3,4,5,6
Copias prefijadas:	1
Tipo de trabajo prefijado:	Impresión de prueba
Tamaño prefijado (papel):	x=8.50 inches, y=11.00 inches
Color de papel prefijado:	Blanco
Impresión a 2 caras prefijada:	A 2 caras
Bandeja de salida prefijada:	Bandeja central
Color de salida prefijado:	Color
Luces clasificadas prefijadas:	Activado
Grupado prefijado:	Sin grupar
Desplazamiento entre trabajos:	Sin desplazar entre trabajos
Modo de marcado de archivos:	Desactivado
PostScript:	Instalado
Nivel:	3
Versión:	3021.101
Calidad de imagen:	Mejorado
<b>PCL</b>	
Versión:	6
Espaciado:	10.00
Tamaño en puntos:	12.00
Nombre de fuente:	Courier
Lineas por página:	60
Tablas de colores personalizadas:	Activado
Etiqueta:	No instalado
<b>Fax:</b>	
Línea de fax 1:	No se encuentra
Línea de fax 2:	
<b>Fax de servidor:</b>	
Hoja de confirmación:	Activado
Inicio diferido:	Desactivado
Protocolo de depósitos:	SFTP
Servidor de depósitos:	10.61.23.93:22
Ruta de depósito de documentos:	/
<b>Escaneado de flujo de trabajo:</b>	
Hoja de confirmación:	Activado
Protocolo de depósito prefijado:	Activado
Servidor de depósito prefijado:	SMB
Ruta de depósito de documentos prefij...:	10.61.23.93:445
Identidad de conexión de depósito pr...:	/
Protocolo de depósitos alternativo 1:	Dispositivo
Servidor de depósitos alternativo 1:	SMB
Ruta de depósito de documentos alter...:	0.0.0.0
Identidad de conexión de depósito alterna...:	Dispositivo
Protocolo de conjuntos de flujos de ...:	SMB
Servidor de conjunto de flujos de tr...:	0.0.0.0
Ruta de conjuntos de flujos de trabaja...:	0.0.0.0
<b>E-mail:</b>	
Prefijado de dirección:	Activado
Hoja de confirmación:	Activado
Autoenviar:	Desactivado
Seguridad de e-mail:	Desactivado
<b>Escaneado a buzón:</b>	
Presentación prefijada de buzones:	Activado
Capacidad de almacenamiento (MB):	672 MB
Almacenamiento usado (MB):	49 MB
Limpieza de carpetas públicas:	Activado
Limpieza de carpetas creadas:	Activado
Hora de limpieza:	Cada día
<b>Escaneado a base activado:</b>	
Nombre amistoso:	
Nombre del flujo de trabajo:	
Autocrear subdirectorios:	Desactivada
Agregar nombre de usuario a la ruta:	Desactivada
Autocrear directorio de nombre de us...:	Desactivada
<b>Escanear a:</b>	
Servicios en la nube:	Activado
<b>Imprimir desde:</b>	
Trabajos guardados para reimpresión:	Activado
Imprimir desde USB:	Activado
Imprimir desde buzón:	Desactivado
Servicios en la nube:	Desactivada

**Contabilidad**

Modo de contabilidad: Ninguno  
 Contabilidad de red: Desactivado

**Seguridad****Configuración de autenticación**

Autenticación de interfaz del disposit... Localmente en el dispositivo  
 Particular: Sin bloquear  
 Trabajos: Sin bloquear  
 Dispositivo: Sin bloquear  
 Autenticación del sitio web del disp... Localmente en el dispositivo  
 Autorización: Localmente en el dispositivo  
 Recuperar e-mail de LDAP: Activado

**Servidor de autenticación:**

Kerberos  
 Dominio principal de Kerberos:  
 Dirección principal de Kerberos: 0.0.0.0:88  
 Dominio alternativo 1 de Kerberos:  
 Dirección alternativa 1 de Kerberos: 0.0.0.0:88  
 Dominio NT SMB:  
 Dominio NT SMB alternativo 1:  
 Servidor de controlador de tarjeta intelige... 0.0.0.0:443  
 Dominio de controlador de tarjeta in...  
 URL OCSP de tarjeta inteligente:  
 Norma de actualización del lector de... Activado  
 Versión de firmware del lector de ta...

**Xerox Secure Access:**

Desactivado  
 Servidor Secure Access: 0.0.0.0:443  
 Ruta de Secure Access:

**Registro de auditoría:**

Activado  
**Seguridad IP (IPsec):** Desactivado

**Filtrado IP:**

Desactivado

**Certificados de seguridad**

Certificado del dispositivo: Firmado  
 Certificados raíz instalados: S4  
**802.1x:** Desactivado

**Eliminación de datos del trabajo:**

Programado: Desactivado  
 Frecuencia programada: Cada mes

**FIPS 140-3:**

Desactivado

**TLS:**

Hash TLS: TLS 1.2 y TLS 1.3  
 SHA-1, SHA-256 y superior

**Control integrado Trellix:**

Desactivado

**Configuración de servicio extensible**

Navegador de tercera generación: X3G\_3.24.23\_2.40.5\_012\_01.00.00  
 Versión de widget: v1.3.17 c8 20140613  
 Versión de widget: v2.5.04 g9 20240123

# Resumen de facturación

## Información del sistema

Nombre del dispositivo: Xerox VersaLink C625 Color MFP (A7:A...  
 Número de serie del dispositivo: 5322480247  
 Impresiones desde encendido: 81

**Versiones de software**  
 Software del dispositivo: 122.024.004.35400  
 Versión de revisión: Ninguno  
 Controlador de red: 122.024.35400  
 Firmware del panel de la interfaz de usuario:  
 6.2  
 Motor de marcado: 230.315  
 Alimentador de documentos: 230.315  
 Acabadora: 000.000.000  
 Fax: 000.000.000  
 Escáner: 230.315

## Contadores de facturación

### Fax

Imágenes de fax interno enviadas: 0  
 Impresiones de fax interno: 0

### Copia

Impresiones copiadas en negro: 338  
 Impresiones copiadas en color: 131

### Impresión

Impresiones impresas en negro: 840  
 Impresiones impresas en color: 865

### Escaneado

Imágenes escaneado red enviadas: 101  
 Imágenes correo electr enviadas: 5

## Totales dispositivo

Impresiones en negro: 1264  
 Impresiones en color: 1022  
 Total de impresiones: 2286

Papel común: 443  
 Bond: 7  
 Reciclado: 8  
 Con membrete: 7  
 Papel estucado brillante: 6

# Uso de suministros

Ubicación de información para pedir suministros:  
[www.xerox.com/office/supplies](http://www.xerox.com/office/supplies)

## Consumibles

### Cartuchos de tóner



#### Negro

Fecha de instalación: Feb 6, 2024  
 Pedir: 00  
 Páginas restantes estimadas: 14500  
 (Basado en la cobertura media de este cartucho de tóner: 3%)



#### Cian

Fecha de instalación: Jan 8, 2024  
 Pedir: 00  
 Páginas restantes estimadas: 16000  
 (Basado en la cobertura media de este cartucho de tóner: 1%)



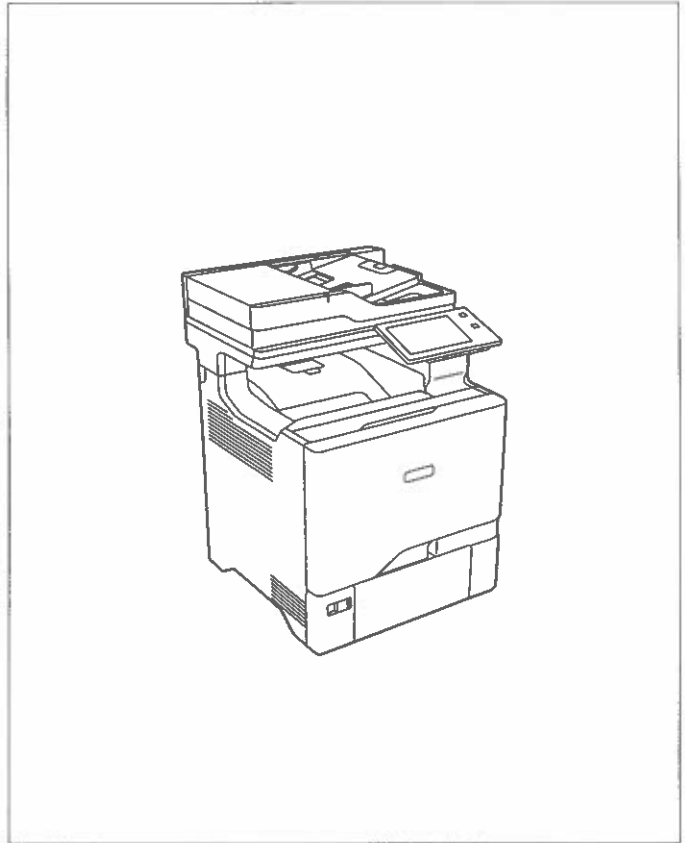
#### Magenta

Fecha de instalación: Nov 28, 2024  
 Pedir: 00  
 Páginas restantes estimadas: 16000  
 (Basado en la cobertura media de este cartucho de tóner: 1%)



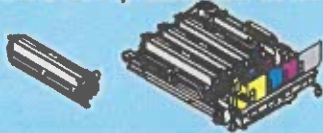
#### Amarillo

Fecha de instalación: Jul 24, 2024  
 Pedir: 00  
 Páginas restantes estimadas: 16000  
 (Basado en la cobertura media de este cartucho de tóner: 1%)



## Componentes de mantenimiento básico

### Unidades de reproducción de imágenes



#### Kit de generación de imágenes en negro

Fecha de instalación: Feb 6, 2024  
 Pedir: 4  
 Páginas restantes estimadas: 150000  
 (Basado en la media del tamaño de trabajos de la impresora: 1 Páginas)



#### Kit de generación de imágenes en color

Fecha de instalación: Feb 6, 2024  
 Pedir: 4  
 Páginas restantes estimadas: 150000  
 (Basado en la media del tamaño de trabajos de la impresora: 1 Páginas)



### Contenedor de residuos



Fecha de instalación: Dec 6, 2024  
 Pedir: 008

Aceptar

# Uso de suprimentos

## Consumíveis

### Cartuchos de toner



#### Preto

Data de instalação: Feb 6, 2024  
Solicitar novamente: 00  
Páginas restantes estimadas: 14500  
(Com base na cobertura média deste cartucho de toner: 3%)



#### Ciano

Data de instalação: Jan 8, 2024  
Solicitar novamente: 00  
Páginas restantes estimadas: 16000  
(Com base na cobertura média deste cartucho de toner: 1%)



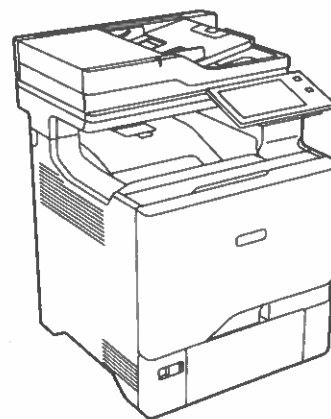
#### Magenta

Data de instalação: Nov 28, 2024  
Solicitar novamente: 00  
Páginas restantes estimadas: 16000  
(Com base na cobertura média deste cartucho de toner: 1%)



#### Amarelo

Data de instalação: Jul 24, 2024  
Solicitar novamente: 00  
Páginas restantes estimadas: 16000  
(Com base na cobertura média deste cartucho de toner: 1%)



## Itens de manutenção de rotina

### Unidades de imagem



#### Kit de tratamento de imagens em preto

Data de instalação: Feb 6, 2024  
Solicitar novamente: 4  
Páginas restantes estimadas: 150000  
(Com base no tamanho do trabalho da impressora em média: 1 Páginas)



#### Kit de tratamento de imagens em cores

Data de instalação: Feb 6, 2024  
Solicitar novamente: 4  
Páginas restantes estimadas: 150000  
(Com base no tamanho do trabalho da impressora em média: 1 Páginas)



### Recipiente de resíduos



Data de instalação: Dec 6, 2024  
Solicitar novamente: 008

OK

**Common User Data**

Machine Name: Xerox VersaLink C625 Color MFP (A7A...  
 IP Address: 10.61.12.186  
 Machine Serial Number: 5322480247  
 Fax Line1:  
 Machine URL: https://10.61.12.186  
 Machine Activation Date: Jan 01, 1970 05:30:00  
 Black Impressions: 1273  
 Color Impressions: 1051  
 Total Impressions: 2324

**Machine Profile**

Xerox Asset Tag:  
 Customer Asset Tag:  
 Service Phone Number:  
 Customer Support Number:  
 Supplies Phone Number:  
 System Administrator: System Administrator name not set  
 Machine Location: machine location not set  
**Managed By**  
 Primary MB Server:

**Machine Hardware**

Fax Card: Not Present  
 Fax Memory Size: 0 MB  
 Foreign Interface Card: not present  
 Device RAM Size: 3904 MB  
 Device Storage Size: used=2998MB/total=13925MB (eMMC)  
 EPC Memory Size: 187 MB  
 Productivity Kit: Not Installed  
 Finisher Type: Simple Catch Tray  
 Finisher Punch: None  
 Finisher Folder: not present  
 Multi-feed Detection Kit: Not Installed

**General Setup**

Remote Services: Enabled  
 Remote Software Download: Enabled  
 Remote Services Trans. Time: 11:10  
 Xerox Workplace Cloud: Enabled  
 E-mail Alerts: Disabled  
 Service Plan: Metered  
 Geographic Region: unknown  
 Startup Config Report: Enabled  
 GMT Offset: +05:30  
 Cloning Installation: Allowed (Encrypted Files Only)  
 Allow Print Submission of Clone Files: Enabled  
 File Sharing: Enabled  
 J81G2: Lossless  
**Energy Saver**  
 Deep Sleep: Enabled  
 Energy Saver Mode: Job Activated  
 Sleep Mode Timer: 120 minutes  
 Auto-Off: Disabled

**Software Versions**

Device Software: 122.024.004.35400  
 Patch Version: None  
 Network Controller: 122.024.35400  
 UI Panel Firmware: 6.2  
 User Interface: 122.024.35400  
 Marking Engine: 230.315  
 Copy Controller: 122.024.35400  
 Document Feeder: 230.315  
 Finisher: 000.000.000  
 Fax: 000.000.000  
 OS: 230.315  
 Scanner: 230.315  
 Software Upgrade: 005.007  
 ALTBOOT Software Upgrade: 005.007  
 Tray 2: A15.51\_B23  
 Tray 3: A15.51\_B23  
 Tray 4: A15.51\_B23  
 Tray 5: A15.51\_B23

**Machine Upgrades:**

Last Successful Upgrade: December 24, 2024 11:39:56  
 Scheduled Auto Upgrade: Disabled  
 Auto Upgrade Start Time: Daily  
 Auto Upgrade Server: 0.0.0.21

**Media Trays**

Tray 1: Plain, White and A4 (210 x 297 mm)  
 Tray 2: Plain, White and A4 (210 x 297 mm)  
 Tray 3: Bond, White and A4 (210 x 297 mm)  
 Tray 4: Recycled, White and A4 (210 x 297 mm)  
 Tray 5: Lightweight Glossy Cardstock, White and A...  
 Bypass Tray: Plain, White and A4 (210 x 297 mm)

**Connectivity**

**Mobile Workflows**

AirPrint Printing: Enabled  
 Mopria Printing Discovery: Enabled  
 AirPrint / Mopria Scanning: Enabled  
 Authentication: Disabled  
 Universal Print: Disabled  
 Universal Print Registration Status: Not Registered

**Physical Connections**

**USB Settings**  
 USB Type A Ports: All Enabled  
 USB Type B Port: Disabled  
 Connection Timeout: 5 seconds

**Wired:**

Ethernet MAC Address: 56:80:0e:a7:a8:9c  
 Ethernet Speed/Duplex Setting: auto  
 Disabled

**Wireless:**

Wireless MAC Address:  
 Network Name (SSID):  
 BSSID:  
 Security Mode:  
 Encryption Algorithm:  
 Status:  
**Wi-Fi Direct:**  
 Wireless Hardware: Enabled  
 Not Installed

Wi-Fi Protected Setup (WPS) Name:  
 Connection Method:  
 Subnet Prefix Address:  
 Access Point (SSID):  
 Show Password on Device Touch Screen:  
**NFC:**  
 iBeacon (Bluetooth®) for AirPrint Di...  
 iBeacon Hardware: Enabled  
 Bluetooth Device Address:  
 iBeacon IP Address: Not Installed

**Protocols**

**TCP/IPV4:**

IP Address: Enabled  
 10.61.12.186  
 Subnet Mask: 255.255.255.0  
 Router/Gateway: 10.61.12.1  
 Automatic Addressing: DHCP  
 DHCP Server: 10.61.13.224  
 DHCP Lease Expiration: Fri Jan 10 16:35:33 2025  
 BOOTP Broadcast: Disabled  
 Self Assigned Address State: Enabled  
 Self Assigned Address:

**TCP/IPV6:**

Link Local Address: Enabled  
 fe80::5480:eff:fea7:a89c  
 Use Router Supplied Prefix: Enabled  
 Stateless Global Address 1: fd00:0:2:112:5480:eff:fea7:a89c  
 Stateless Global Address 2: ::  
 Manual Address:  
 DHCP Addressing: Use DHCP as directed by a router  
 DHCP Address:  
 Default Gateway: fe80::8afc:5dff:fe75:e282  
 DUID (DHCP Unique Identifier):

**DNS Settings:**

Requested Host Name: XRX56800EA7A89C  
 Verified Host Name:  
 Requested Domain Name:  
 Verified Domain Name:  
 Multicast DNS: Enabled  
 Release DHCP Leases and DNS Registrati...: Disabled  
 Primary DNS Server: 10.61.7.15  
 Alternate DNS Server 1: 10.61.10.6  
 Alternate DNS Server 2: ::  
 DNS Connection Timeout: 5  
 Append Device Domain: Enabled  
 Append Parent Domains: Disabled  
 DNS Domain Search List: XEROXQA.COM.  
 Prefer IPv6 DNS over IPv4: Enabled

**Installed Options**

PS: Installed

## Protocols (cont.)

<b>Bonjour:</b>	
Bonjour Printer Name:	Xerox VersaLink C625 Color MFP (A7.A...
<b>HTTP:</b>	
Port Number:	80
Force Traffic over Secure Connection (H...	Yes
Secure HTTP Port Number:	443
Proxy Server:	Manual
Proxy Server Address:	10.177.8.91.8080
IPP:	Enabled
Secure IPP Mode:	IPP and Secure IPPS
IPP Network Path:	http://10.61.12.186:631
<b>SNMP</b>	
SNMP v1/v2:	Enabled
SNMP v3:	Disabled
<b>LPR/LPD:</b>	
Port Number:	515
PDL Switching:	Disabled
PDL Banner Override:	Disabled
<b>Raw IP Printing:</b>	
Port Number 1:	9100
Bidirectional:	Disabled
End of Job Timeout:	300
PDL Switching:	Disabled
<b>LDAP</b>	
LDAP Server 1 Friendly Name:	
LDAP Server 1 Primary LDAP Address:	0.0.0.0:389
LDAP Server 1 Alternate LDAP Address:	0.0.0.0:389
LDAP Server 1 Search Directory Root:	
LDAP Server 1 Secure Connection (LDA...	Disabled
LDAP Server 1 Validate Server Certificate...	Disabled
<b>SMTP</b>	
SMTP Server:	10.61.10.8:25
Connect Encryption (TLS):	No Encryption
Validate Server Certificate (TLS):	
Max Message Size (KB):	10240
Number of Fragments:	1
Total Job Size (KB):	300000
Job Splitting Boundary:	Page Boundary
Credentials for Auto E-mails:	None
Credentials for Walkup User:	None
<b>POP3</b>	
POP3 Server:	0.0.0.0:110
POP3 Secure Connection (TLS):	Disabled
E-mail Address:	
Receipt of E-mail via POP3:	Disabled
Send Confirmation Request:	Enabled
Incoming E-mail cover sheet:	Enabled
<b>NTP:</b>	
Primary Server:	0.0.0.0:123
Alternate Server:	0.0.0.0:123
<b>SLP:</b>	
SLP:	Disabled
<b>FTP Client:</b>	
FTP Client Mode:	Passive
<b>Web Services on Device:</b>	
WS-Discovery:	Enabled
WS-Discovery Multicast:	Enabled
WS-Print:	Enabled
WS-Scan:	Enabled
<b>Web Services</b>	
Copy Submission:	Enabled
Digital Certificate Management and Secur...	Enabled
Extensible Service Registration:	Enabled
Job Limits:	Enabled
Job Management Extension:	Enabled
Device Configuration:	Enabled
Scan Submission:	Enabled
Scan Workflow Management:	Enabled
Session Data:	Enabled
User Interface Configuration:	Enabled
EIP Proxy Configuration:	Enabled
Xerox Secure Access:	Disabled
EIP SNMP Configuration:	Enabled
Print Submission:	Enabled
Scan Template Mgmt:	Enabled
Mass Storage Access:	Enabled
Card Reader Access:	Enabled
Authentication & Accounting Configur...	Enabled
Export Audit Log:	Enabled
Trellix Embedded Control:	Enabled

## Apps

<b>Printing</b>	
Banner Sheet:	Disabled
Sys/Start Job:	Disabled
Delete Held Jobs After:	3 Day(s) 0 Hour(s) 0 Minute(s)
Error Sheets:	Enabled
Paper Substitution:	Enabled
Troy Priority:	1,2,3,4,5,6
Default Copies:	1
Default Job Type:	Normal Print
Default Paper Size:	x = 8.50 inches, y = 11.00 inches
Default Paper Color:	White
Default 2 Sided Printing:	2 Sided
Default Output Tray:	Center Tray
Default Output Color:	Color
Default Collated Sets:	Enabled
Default Stapling:	Not Available
Offsetting Between Jobs:	No Offset Between Jobs
Archival Marking Mode:	Off
PostScript:	Installed
Level:	3
Version:	3021.101
Image Quality:	B&Witett
<b>PCL</b>	
Version:	6
Pitch Size:	10.00
Point Size:	12.00
Font Name:	Courier
Lines Per Page:	60
Custom Color Tables:	Enabled
Label:	Not Installed
<b>Fax:</b>	
Fax Line1:	Not Present
Fax Line2:	Not Present
<b>Server Fax:</b>	
Confirmation Sheet:	Enabled
On:	On
Delay Start:	Disabled
Repository Protocol:	SFTP
Repository Server:	10.61.23.93:22
Repository Document Path:	/
<b>Workflow Scanning:</b>	
Confirmation Sheet:	Enabled
On:	On
Default Repository Protocol:	SMB
Default Repository Server:	10.61.23.93:445
Default Repository Document Path:	/
Default Repository Login Credentials:	Device
Alt1 Repository Protocol:	SMB
Alt1 Repository Server:	0.0.0.0
Alt1 Repository Document Path:	
Alt1 Repository Login Credentials:	Device
Workflow Pool Protocol:	SMB
Workflow Pool Server:	0.0.0.0
Workflow Pool Path:	
<b>Email:</b>	
Default From Address:	Enabled
Confirmation Sheet:	rathimeenas@xeroxqa.com
Auto Send to Self:	On
E-mail Security:	Disabled
<b>Scan to Mailbox:</b>	
View Mailboxes by Default:	Disabled
Storage Capacity (MB):	Enabled
Storage Used (MB):	672 MB
Cleanup of Public Folders:	49 MB
Cleanup of Created Folders:	Enabled
Cleanup Time:	Enabled
Daily:	Disabled
<b>Scan to Home:</b>	
Friendly Name:	
Workflow Name:	
Auto Create Subdir:	Disabled
Append User Name to Path:	Disabled
Auto Create User Name Dir:	Disabled
<b>Scan To:</b>	
Cloud Services:	Enabled
Print From:	Disabled
Saved Jobs for Reprint:	Enabled
Print From USB:	Enabled
Print From MailBox:	Disabled
Cloud Services:	Disabled

**Accounting**

Accounting Mode: None  
 Network Accounting: Disabled

**Security****Authentication Configuration**

Machine UI Authentication: Locally on the Device  
 Home: Unlocked  
 Jobs: Unlocked  
 Device: Unlocked  
 Device Website Authentication: Locally on the Device  
 Authorization: Locally on the Device  
 Retrieve E-mail from LDAP: Enabled

**Authentication Server:**

Kerberos Kerberos  
 Kerberos Primary Realm:  
 Kerberos Primary Address: 0.0.0.0:88  
 Kerberos Alt 1 Realm:  
 Kerberos Alt 1 Address: 0.0.0.0:88  
 SMB NT Domain:  
 SMB Alt 1 NT Domain:  
 Smartcard Ctrl Server: 0.0.0.0:443  
 Smartcard Ctrl Domain:  
 SmartCard OCSP URL:  
 Card Reader Upgrade Policy: Enabled  
 Card Reader Firmware Version:

**Xerox Secure Access:**

Disabled  
 Secure Access Server: 0.0.0.0:443  
 Secure Access Path:

**Audit Log:**

Enabled

**IP Sec:**

Disabled

**IP Filtering:**

Disabled

**Security Certificates**

Machine Certificate: Signed  
 Root Certificates Installed: 54

**802.1x:**

Disabled

**Job Data Removal:**

Scheduled: Disabled  
 Scheduled Frequency: Monthly

**FIPS 140-3:**

Disabled

**TLS:**

TLS Hash: TLS 1.2 and TLS 1.3  
 SHA-1, SHA-256 and above

**Trellix Embedded Control:**

Disabled

**Extensible Service Setup**

Third Generation Browser: X3G\_3.24.23\_2.40.5\_012\_01.00.00  
 Widget Version: v1.3.17 c8 20140613  
 Widget Version: v2.5.04 g9 20240123

# Számlázási összegzés

## Rendszeradatok

Gép neve:	Xerox VersaLink C625 Color MFP (A7:A...	<b>Szoftververziók</b>	
Gép gyári száma:	5322480247	Készüléksoftver:	122.024.004.35400
Bekapcsoláskori lenyomatok:	121	Javítófájl verziója:	None
		Hálózatvezérlő:	122.024.35400
		Felhasználói kezelőfelület paneljének firmware-je:	6.2
		Jelölőmotor:	230.315
		Dokuadagoló:	230.315
		Finiser:	000.000.000
		Faxolás:	000.000.000
		Szkenner:	230.315

## Számlázásmérők

### Faxolás

Beágyazott faxon elküldött képek:	0
Beágyazott faxlenyomatok:	0

### Másolás

Fekete-fehér másolt lenyomatok:	338
Színes másolt lenyomatok:	131

### Nyomtatás

Fekete-fehér nyomtatott lenyomatok:	850
Színes nyomtatott lenyomatok:	895

### Szkennelés

Hálózati szkenneléssel küldött képek:	101
E-mail képek elküldve:	5

## Készülék összesenjei

Fekete lenyomatok:	1274
Színes lenyomatok:	1052
Összes lenyomat:	2326

Síma papír:	468
Levélpapír:	7
Újrahasznosított:	8
Fejléces:	7
Fényes bevonatos papír:	6