

**Common User Data**

Machine Name: Xerox VersaLink C625 Color MFP (A7A...  
 IP Address: 10.61.15.164  
 Machine Serial Number: 5322480247  
 Fax Line1:  
 Machine URL: https://10.61.15.164  
 Machine Activation Date: Jan 01, 1970 05:30:00  
 Black Impressions: 1241  
 Color Impressions: 956  
 Total Impressions: 2197

**Machine Profile**

Xerox Asset Tag:  
 Customer Asset Tag:  
 Service Phone Number:  
 Customer Support Number:  
 Supplies Phone Number:  
 System Administrator:  
 Machine Location:  
 System Administrator name not set  
 machine location not set

**Managed By**

Primary MB Server:

**Machine Hardware**

Fax Card: Not Present  
 Fax Memory Size: 0 MB  
 Foreign Interface Card: not present  
 Device RAM Size: 3904 MB  
 Device Storage Size: used=2972MB/total=13925MB (eMMC)  
 EPC Memory Size: 187 MB  
 Productivity Kit: Not Installed  
 Finisher Type: Simple Catch Tray  
 Finisher Punch: None  
 Finisher Folder: not present  
 Multi-feed Detection Kit: Not Installed

**General Setup**

Remote Services: Enabled  
 Remote Software Download: Enabled  
 Remote Services Trans. Time: 11:10  
 Xerox Workplace Cloud: Enabled  
 E-mail Alerts: Disabled  
 Service Plan: Metered  
 Geographic Region: unknown  
 GMT Offset: +05:30  
 Cloning Installation: Allowed (Encrypted Files Only)  
 File Sharing: Enabled  
 JBIG2: Lossless  
**Energy Saver**  
 Deep Sleep: Enabled  
 Energy Saver Mode: Job Activated  
**Smart Proximity Sensor**  
 Wake on Arrival: Not Available  
 Sleep on Departure:

**Software Versions**

Device Software: 122.024.004.35400  
 Patch Version: None  
 Network Controller: 122.024.35400  
 UI Panel Firmware: 6.2  
 Marking Engine: 230.315  
 Document Feeder: 230.315  
 Finisher: 000.000.000  
 Fax: 000.000.000  
 Scanner: 230.315  
**Machine Upgrades:**  
 Last Successful Upgrade: December 24, 2024 11:39:56

**Media Trays**

Tray 1: Plain, White and A4 (210 x 297 mm)  
 Tray 2: Plain, White and A4 (210 x 297 mm)  
 Tray 3: Bond, White and A4 (210 x 297 mm)  
 Tray 4: Recycled, White and A4 (210 x 297 mm)  
 Tray 5: Lightweight Glossy Cardstock, White and A...  
 Bypass Tray: Plain, White and A4 (210 x 297 mm)

**Installed Options**

PS: Installed

**Connectivity**

**Mobile Workflows**

AirPrint Printing: Enabled  
 Mopria Printing Discovery: Enabled  
 AirPrint / Mopria Scanning Authentication: Disabled

**Physical Connections**

**USB Settings**  
 USB Type A Ports: All Enabled  
 USB Type B Port: Disabled  
**Wired:**  
 Ethernet MAC Address: Enabled  
 Ethernet Speed/Duplex Setting: 56:80:0e:a7:a8:9c  
 auto  
 Disabled

**Wireless:**

Wireless MAC Address:  
 Network Name (SSID):  
 BSSID:  
 Security Mode:  
 Encryption Algorithm:  
 Status:  
**Wi-Fi Direct:** Enabled  
 Wireless Hardware: Not Installed

Wi-Fi Protected Setup (WPS) Name:  
 Access Point (SSID):  
 Show Password on Device Touch Screen:  
**NFC:** Enabled  
**iBeacon (Bluetooth®) for AirPrint DL...** Enabled  
 iBeacon Hardware: Not Installed  
 Bluetooth Device Address:  
 iBeacon IP Address:

**Protocols**

**TCP/IPV4:**

IP Address: Enabled  
 10.61.15.164  
 Subnet Mask: 255.255.255.0  
 Router/Gateway: 10.61.15.1  
 Automatic Addressing: DHCP  
 DHCP Server: 10.61.13.224  
 DHCP Lease Expiration: Thu Jan 9 15:53:22 2025  
 BOOTP Broadcast: Disabled  
 Self Assigned Address State: Enabled  
 Self Assigned Address:

**TCP/IPV6:**

Link Local Address: Enabled  
 fe80::5480:eff:fea7:a89c  
 Use Router Supplied Prefix: Enabled  
 Stateless Global Address 1: Enabled  
 fe00:0:2:115:5480:eff:fea7:a89c  
 Stateless Global Address 2: ::  
 Manual Address:  
 DHCP Addressing: Use DHCP as directed by a router  
 DHCP Address:  
 Default Gateway: fe80::8afc:Sdff:fe75:e282  
 DUID (DHCP Unique Identifier):

**DNS Settings:**

Requested Host Name: XRX56800EA7A89C  
 Verified Host Name:  
 Requested Domain Name:  
 Verified Domain Name:  
 Multicast DNS: Enabled  
 Release DHCP Leases and DNS Registrat... Disabled  
 Primary DNS Server: 10.61.7.15  
 Prefer IPv6 DNS over IPv4: Enabled

**Bonjour:**

Bonjour Printer Name: Xerox VersaLink C625 Color MFP (A7A...

**HTTP:**

Force Traffic over Secure Connection (H... Enabled  
 IPP: Yes  
 Enabled

**SNMP**

SNMP v1/v2: Enabled  
 SNMP v3: Disabled  
 LPR/LPD: Enabled  
 Raw IP Printing: Enabled

**LDAP**

LDAP Server 1 Primary LDAP Address: 0.0.0.0:389  
 LDAP Server 1 Search Directory Root:  
 LDAP Server 1 Secure Connection (LDA... Disabled  
 LDAP Server 1 Validate Server Certificate... Disabled

**SMTP**

SMTP Server: 10.61.10.8:25  
 Connect Encryption (TLS): No Encryption  
 Validate Server Certificate (TLS):

**Protocols (cont.)**

POP3  
 POP3 Server: 0.0.0.0:110  
 POP3 Secure Connection (TLS): Disabled  
 E-mail Address:  
 NTP: Disabled  
 FTP Client: Enabled  
 FTP Client Mode: Passive  
 Web Services on Device: Enabled

**Apps**

**Printing**

Banner Sheet: Disabled  
 Error Sheets: Enabled  
 Paper Substitution: Enabled  
 Tray Priority: 1,2,3,4,5,6  
 Archival Marking Mode: Off  
 PostScript  
 Level: Installed  
 Version: 3  
 PCL  
 Version: 3021.101  
 Font Name: 6  
 Courier  
 Custom Color Tables: Enabled  
 Label: Not Installed  
 Not Present

**Fax:**

Fax Line1:  
 Fax Line2:  
**Server Fax:** Enabled  
 Repository Protocol: SFTP  
 Repository Server: 10.61.23.93:22  
 Repository Document Path: \

**Workflow Scanning:** Enabled

**Email:** Enabled

**Scan to Mailbox:** Enabled

Storage Capacity (MB): 672 MB  
 Storage Used (MB): 118 MB  
 Cleanup of Public Folders: Enabled  
 Cleanup of Created Folders: Enabled  
 Cleanup Time: Daily

**Scan to Home:** Disabled

**Scan To:** Enabled

Cloud Services: Disabled

**Print From:** Enabled

Saved Jobs for Reprint: Enabled  
 Print From USB: Enabled  
 Print From MailBox: Disabled  
 Cloud Services: Disabled

**Accounting**

Accounting Mode: None  
 Network Accounting: Disabled

**Security**

**Authentication Configuration**

**Machine UI Authentication:** Locally on the Device  
 Home: Unlocked  
 Jobs: Unlocked  
 Device: Unlocked  
**Device Website Authentication:** Locally on the Device  
 Authorization: Locally on the Device  
 Retrieve E-mail from LDAP: Enabled

**Authentication Server:** Kerberos

**Xerox Secure Access:** Disabled

**Audit Log:** Enabled

**IP Sec:** Disabled

**IP Filtering:** Disabled

**Security Certificates**

Machine Certificate: Signed

Root Certificates Installed: 54

**802.1x:** Disabled

**Job Data Removal:**

Scheduled: Disabled

**FIPS 140-3:** Disabled

**TLS:** TLS 1.2 and TLS 1.3

TLS Hash: SHA-1, SHA-256 and above

**Trellix Embedded Control:** Disabled

**Common User Data**

Machine Name: Xerox VersaLink C625 Color MFP (A7A...  
 IP Address: 10.61.12.186  
 Machine Serial Number: 5322480247  
 Fax Line1:  
 Machine URL: https://10.61.12.186  
 Machine Activation Date: Jan 01, 1970 05:30:00  
 Black Impressions: 1242  
 Color Impressions: 957  
 Total Impressions: 2199

**Machine Profile**

Xerox Asset Tag:  
 Customer Asset Tag:  
 Service Phone Number:  
 Customer Support Number:  
 Supplies Phone Number:  
 System Administrator:  
 Machine Location:  
**Managed By**  
 Primary MB Server:

System Administrator name not set  
 machine location not set

**Machine Hardware**

Fax Card: Not Present  
 Fax Memory Size: 0 MB  
 Foreign Interface Card: not present  
 Device RAM Size: 3904 MB  
 Device Storage Size: used=2977MB/total=13925MB (eMMC)  
 EPIC Memory Size: 187 MB  
 Productivity Kit: Not Installed  
 Finisher Type: Simple Catch Tray  
 Finisher Punch: None  
 Finisher Folder: not present  
 Multi-feed Detection Kit: Not Installed

**General Setup**

Remote Services: Enabled  
 Remote Software Download: Enabled  
 Remote Services Trans. Time: 11:10  
 Xerox Workplace Cloud: Enabled  
 E-mail Alerts: Disabled  
 Service Plan: Metered  
 Geographic Region: unknown  
 GMT Offset: +05:30  
 Cloning Installation: Allowed (Encrypted Files Only)  
 File Sharing: Enabled  
 JBIG2: Lossless

**Energy Saver**

Deep Sleep: Enabled  
 Energy Saver Mode: Job Activated  
**Smart Proximity Sensor**  
 Wake on Arrival:  
 Sleep on Departure:

Not Available

**Software Versions**

Device Software: 122.024.004.35400  
 Patch Version: None  
 Network Controller: 122.024.35400  
 UI Panel Firmware: 6.2  
 Marking Engine: 230.315  
 Document Feeder: 230.315  
 Finisher: 000.000.000  
 Fax: 000.000.000  
 Scanner: 230.315  
**Machine Upgrades:**  
 Last Successful Upgrade: December 24, 2024 11:39:56

**Media Trays**

Tray 1: Plain, White and A4 (210 x 297 mm)  
 Tray 2: Plain, White and A4 (210 x 297 mm)  
 Tray 3: Bond, White and A4 (210 x 297 mm)  
 Tray 4: Recycled, White and A4 (210 x 297 mm)  
 Tray 5: Lightweight Glossy Cardstock, White and A...  
 Bypass Tray: Plain, White and A4 (210 x 297 mm)

**Installed Options**

PS: Installed

**Connectivity**

**Mobile Workflows**

AirPrint Printing: Enabled  
 Mopria Printing Discovery: Enabled  
 AirPrint / Mopria Scanning Authentication: Enabled  
 Disabled

**Physical Connections**

**USB Settings**  
 USB Type A Ports: All Enabled  
 USB Type B Port: Disabled  
**Wired:**  
 Ethernet MAC Address: Enabled  
 Ethernet Speed/Duplex Setting: auto  
**Wireless:**  
 Wireless MAC Address: Disabled

Network Name (SSID):  
 BSSID:  
 Security Mode:  
 Encryption Algorithm:  
 Status:  
**Wi-Fi Direct:** Enabled  
 Not Installed  
 Wireless Hardware:  
 Wi-Fi Protected Setup (WPS) Name:  
 Access Point (SSID):  
 Show Password on Device Touch Screen:

**NFC:** Enabled  
**iBeacon (Bluetooth®) for AirPrint Di...** Enabled  
 iBeacon Hardware: Not Installed  
 Bluetooth Device Address:  
 iBeacon IP Address:

**Protocols**

**TCP/IPV4:**

IP Address: Enabled  
 10.61.12.186  
 Subnet Mask: 255.255.255.0  
 Router/Gateway: 10.61.12.1  
 Automatic Addressing: DHCP  
 DHCP Server: 10.61.13.224  
 DHCP Lease Expiration: Fri Jan 10 11:25:46 2025  
 BOOTP Broadcast: Disabled  
 Self Assigned Address State: Enabled  
 Self Assigned Address:

**TCP/IPV6:**

Enabled  
 Link Local Address: fe80::5480:eff:fea7:a89c  
 Use Router Supplied Prefix: Enabled  
 Stateless Global Address 1: fd00:0:2:112:5480:eff:fea7:a89c  
 Stateless Global Address 2: ::  
 Manual Address:  
 DHCP Addressing: Use DHCP as directed by a router  
 DHCP Address:  
 Default Gateway: fe80::8afc:5dff:fe75:e282  
 DUID (DHCP Unique Identifier):

**DNS Settings:**

Requested Host Name: XRXS6800EA7A89C  
 Verified Host Name:  
 Requested Domain Name:  
 Verified Domain Name:  
 Multicast DNS: Enabled  
 Release DHCP Leases and DNS Registrati... Disabled  
 Primary DNS Server: 10.61.7.15  
 Prefer IPv6 DNS over IPv4: Enabled

**Bonjour:**

Bonjour Printer Name: Xerox VersaLink C625 Color MFP (A7A...  
**HTTP:** Enabled  
 Force Traffic over Secure Connection (H... Yes  
 IPP: Enabled

**SNMP**

SNMP v1/v2: Enabled  
 SNMP v3: Disabled

**LPR/LPD:**

Enabled

**Raw IP Printing:**

Enabled

**LDAP**

LDAP Server 1 Primary LDAP Address: 0.0.0.0:389  
 LDAP Server 1 Search Directory Root:  
 LDAP Server 1 Secure Connection (LDA... Disabled  
 LDAP Server 1 Validate Server Certificate... Disabled

**SMTP**

SMTP Server: 10.61.10.8:25  
 Connect Encryption (TLS): No Encryption  
 Validate Server Certificate (TLS):

**Protocols (cont.)**

<b>POP3</b>	
POP3 Server:	0.0.0.0:110
POP3 Secure Connection (TLS):	Disabled
E-mail Address:	
<b>NTP:</b>	Disabled
<b>FTP Client:</b>	Enabled
FTP Client Mode:	Passive
<b>Web Services on Device:</b>	Enabled

**Apps****Printing**

Banner Sheet:	Disabled
Error Sheets:	Enabled
Paper Substitution:	Enabled
Tray Priority:	1,2,3,4,5,6
<b>Archival Marking Mode</b>	Off
<b>PostScript</b>	Installed
Level:	3
Version:	3021.101
<b>PCL</b>	
Version:	6
Font Name:	Courier
<b>Custom Color Tables</b>	Enabled
Label:	Not Installed
<b>Fax:</b>	Not Present
Fax Line1:	
Fax Line2:	

**Server Fax:**

Repository Protocol:	Enabled
Repository Server:	SFTP
Repository Document Path:	10.61.23.93:22
Repository Document Path:	\

**Workflow Scanning:**

Enabled

**Email:**

Enabled

**Scan to Mailbox:**

Enabled

Storage Capacity (MB): 672 MB

Storage Used (MB): 120 MB

Cleanup of Public Folders: Enabled

Cleanup of Created Folders: Enabled

Cleanup Time: Daily

**Scan to Home:**

Disabled

**Scan To:**

Enabled

Cloud Services: Disabled

**Print From:**

Enabled

Saved Jobs for Reprint: Enabled

Print From USB: Enabled

Print From MailBox: Disabled

Cloud Services: Disabled

**Accounting**

Accounting Mode: None

Network Accounting: Disabled

**Security****Authentication Configuration**

Machine UI Authentication: Locally on the Device

Home: Unlocked

Jobs: Unlocked

Device: Unlocked

Device Website Authentication: Locally on the Device

Authorization: Locally on the Device

Retrieve E-mail from LDAP: Enabled

**Authentication Server:**

Kerberos

**Xerox Secure Access:**

Disabled

**Audit Log:**

Enabled

**IP Sec:**

Disabled

**IP Filtering:**

Disabled

**Security Certificates**

Machine Certificate: Signed

Root Certificates Installed: 54

**802.1x:**

Disabled

**Job Data Removal:**

Scheduled: Disabled

**FIPS 140-3:**

Disabled

**TLS:**

TLS 1.2 and TLS 1.3

TLS Hash: SHA-1, SHA-256 and above

**Trellix Embedded Control:**

Disabled

**Common User Data**

Machine Name: Xerox VersaLink C625 Color MFP (A7:A...  
 IP Address: 10.61.12.186  
 Machine Serial Number: 5322480247  
 Fax Line1:  
 Machine URL: https://10.61.12.186  
 Machine Activation Date: Jan 01, 1970 05:30:00  
 Black Impressions: 1243  
 Color Impressions: 958  
 Total Impressions: 2201

**Machine Profile**

Xerox Asset Tag:  
 Customer Asset Tag:  
 Service Phone Number:  
 Customer Support Number:  
 Supplies Phone Number:  
 System Administrator: System Administrator name not set  
 Machine Location: machine location not set  
**Managed By**  
 Primary MB Server:

**Machine Hardware**

Fax Card: Not Present  
 Fax Memory Size: 0 MB  
 Foreign Interface Card: not present  
 Device RAM Size: 3904 MB  
 Device Storage Size: used=2963MB/total=13925MB (eMMC)  
 EPC Memory Size: 187 MB  
 Productivity Kit: used=292MB/total=500107MB (HDD)  
 Finisher Type: Simple Catch Tray  
 Finisher Punch: None  
 Finisher Folder: not present  
 Multi-feed Detection Kit: Not Installed

**General Setup**

Remote Services: Enabled  
 Remote Software Download: Enabled  
 Remote Services Trans. Time: 11:10  
 Xerox Workplace Cloud: Enabled  
 E-mail Alerts: Disabled  
 Service Plan: Metered  
 Geographic Region: unknown  
 GMT Offset: +05:30  
 Cloning Installation: Allowed (Encrypted Files Only)  
 File Sharing: Enabled  
 JBIG2: Lossless  
**Energy Saver**  
 Deep Sleep: Enabled  
 Energy Saver Mode: Job Activated  
**Smart Proximity Sensor**  
 Wake on Arrival: Not Available  
 Sleep on Departure:

**Software Versions**

Device Software: 122.024.004.35400  
 Patch Version: None  
 Network Controller: 122.024.35400  
 UI Panel Firmware: 6.2  
 Marking Engine: 230.315  
 Document Feeder: 230.315  
 Finisher: 000.000.000  
 Fax: 000.000.000  
 Scanner: 230.315  
**Machine Upgrades:**  
 Last Successful Upgrade: December 24, 2024 11:39:56

**Media Trays**

Tray 1: Plain, White and A4 (210 x 297 mm)  
 Tray 2: Plain, White and A4 (210 x 297 mm)  
 Tray 3: Bond, White and A4 (210 x 297 mm)  
 Tray 4: Recycled, White and A4 (210 x 297 mm)  
 Tray 5: Lightweight Glossy Cardstock, White and A...  
 Bypass Tray: Plain, White and A4 (210 x 297 mm)

**Installed Options**

PS: Installed

**Connectivity**

**Mobile Workflows**

AirPrint Printing: Enabled  
 Mopria Printing Discovery: Enabled  
 AirPrint / Mopria Scanning Authentication: Enabled  
 Physical Connections: Disabled

**USB Settings**

USB Type A Ports: All Enabled  
 USB Type B Port: Disabled

**Wired:**

Ethernet MAC Address: Enabled  
 Ethernet Speed/Duplex Setting: 56:80:0e:a7:a8:9c  
 auto

**Wireless:**

Wireless MAC Address: Disabled  
 Network Name (SSID):  
 BSSID:  
 Security Mode:  
 Encryption Algorithm:  
 Status:

**Wi-Fi Direct:**

Wireless Hardware: Enabled  
 Not Installed

**Wi-Fi Protected Setup (WPS) Name:**

Access Point (SSID):  
 Show Password on Device Touch Screen:

NFC: Enabled  
 Disabled

**iBeacon (Bluetooth®) for AirPrint Di...**

iBeacon Hardware: Enabled  
 Not Installed

Bluetooth Device Address:  
 iBeacon IP Address:

**Protocols**

**TCP/IPV4:**

IP Address: Enabled  
 10.61.12.186  
 Subnet Mask: 255.255.255.0  
 Router/Gateway: 10.61.12.1  
 Automatic Addressing: DHCP  
 DHCP Server: 10.61.13.224  
 DHCP Lease Expiration: Fri Jan 10 15:45:30 2025  
 BOOTP Broadcast: Disabled  
 Self Assigned Address State: Enabled  
 Self Assigned Address:

**TCP/IPV6:**

Link Local Address: Enabled  
 fe80::5480:eff:fea7:a89c  
 Use Router Supplied Prefix: Enabled  
 Stateless Global Address 1: fd00:0:2:112:5480:eff:fea7:a89c  
 Stateless Global Address 2: ::  
 Manual Address:  
 DHCP Addressing: Use DHCP as directed by a router  
 DHCP Address:  
 Default Gateway: fe80::8afc:5dff:fe75:e282  
 DUID (DHCP Unique Identifier):

**DNS Settings:**

Requested Host Name: XRX56800EA7A89C  
 Verified Host Name:  
 Requested Domain Name:  
 Verified Domain Name:  
 Multicast DNS: Enabled  
 Release DHCP Leases and DNS Registrati...: Disabled  
 Primary DNS Server: 10.61.7.15  
 Prefer IPv6 DNS over IPv4: Enabled

**Bonjour:**

Bonjour Printer Name: Xerox VersaLink C625 Color MFP (A7:A...

**HTTP:**

Force Traffic over Secure Connection (H...: Enabled  
 IPP: Enabled

**SNMP**

SNMP v1/v2: Enabled  
 Disabled

**LPR/LPD:**

Enabled  
 Disabled

**Raw IP Printing:**

**LDAP**

LDAP Server 1 Primary LDAP Address: 0.0.0.0:389

LDAP Server 1 Search Directory Root:  
 LDAP Server 1 Secure Connection (LDA...: Disabled  
 LDAP Server 1 Validate Server Certificat...: Disabled

**SMTP**

SMTP Server: 10.61.10.8:25  
 Connect Encryption (TLS): No Encryption  
 Validate Server Certificate (TLS):

**Protocols (cont.)****POP3**

POP3 Server:	0.0.0.0:110
POP3 Secure Connection (TLS):	Disabled
E-mail Address:	
NTP:	Disabled
FTP Client:	Enabled
FTP Client Mode:	Passive
Web Services on Device:	Enabled

**Apps****Printing**

Banner Sheet:	Disabled
Error Sheets:	Enabled
Paper Substitution:	Enabled
Tray Priority:	1,2,3,4,5,6
Archival Marking Mode	Off
PostScript	Installed
Level:	3
Version:	3021 101
PCL	
Version:	6
Font Name:	Courier
Custom Color Tables	Enabled
Label:	Not Installed
Fax:	Not Present
Fax Line1:	
Fax Line2:	

**Server Fax:**

Repository Protocol:	Enabled
Repository Server:	SFTP
Repository Document Path:	10.61.23.93:22
	\

**Workflow Scanning:****Email:****Scan to Mailbox:**

Storage Capacity (MB):	Enabled
Storage Used (MB):	23071 MB
Cleanup of Public Folders:	1268 MB
Cleanup of Created Folders:	Enabled
Cleanup Time:	Enabled
	Daily

**Scan to Home:****Scan To:**

Cloud Services:	Disabled
-----------------	----------

**Print From:**

Saved Jobs for Reprint:	Enabled
Print From USB:	Enabled
Print From MailBox:	Disabled
Cloud Services:	Disabled

**Accounting**

Accounting Mode:	None
Network Accounting:	Disabled

**Security****Authentication Configuration**

Machine UI Authentication:	Locally on the Device
Home:	Unlocked
Jobs:	Unlocked
Device:	Unlocked
Device Website Authentication:	Locally on the Device
Authorization:	Locally on the Device
Retrieve E-mail from LDAP:	Enabled

**Authentication Server:**

Kerberos

**Xerox Secure Access:**

Disabled

**Audit Log:**

Enabled

**IP Sec:**

Disabled

**IP Filtering:**

Disabled

**Security Certificates**

Machine Certificate: Signed

Root Certificates Installed: 54

802.1x: Disabled

**Image Overwrite**

Immediate: installed/enabled

Scheduled: Disabled

**FIPS 140-3:**

Disabled

**TLS:**

TLS Hash: TLS 1.2 and TLS 1.3

SHA-1, SHA-256 and above

**Trellix Embedded Control:**

Disabled

**Common User Data**

Machine Name: Xerox VersaLink C625 Color MFP (A7-A...  
 IP Address: 10.61.12.186  
 Machine Serial Number: 5322480247  
 Fax Line 1:  
 Machine URL: https://10.61.12.186  
 Machine Activation Date: Jan 01, 1970 05:30:00  
 Black Impressions: 1244  
 Color Impressions: 959  
 Total Impressions: 2203

**Machine Profile**

Xerox Asset Tag:  
 Customer Asset Tag:  
 Service Phone Number:  
 Customer Support Number:  
 Supplies Phone Number:  
 System Administrator: System Administrator name not set  
 Machine Location: machine location not set  
**Managed By**  
 Primary MB Server:

**Machine Hardware**

Fax Card: Not Present  
 Fax Memory Size: 0 MB  
 Foreign Interface Card: not present  
 Device RAM Size: 3904 MB  
 Device Storage Size: used=2734MB/total=13925MB (eMMC)  
 EPC Memory Size: 187 MB  
 Productivity Kit: used=62MB/total=0MB (SSD)  
 Finisher Type: Simple Catch Tray  
 Finisher Punch: None  
 Finisher Folder: not present  
 Multi-feed Detection Kit: Not Installed

**General Setup**

Remote Services: Enabled  
 Remote Software Download: Enabled  
 Remote Services Trans. Time: 11:10  
 Xerox Workplace Cloud: Enabled  
 E-mail Alerts: Disabled  
 Service Plan: Metered  
 Geographic Region: unknown  
 GMT Offset: +05:30  
 Cloning Installation: Allowed (Encrypted Files Only)  
 File Sharing: Enabled  
 JBIG2: Lossless  
**Energy Saver**  
 Deep Sleep: Enabled  
 Energy Saver Mode: Job Activated  
**Smart Proximity Sensor**  
 Wake on Arrival: Not Available  
 Sleep on Departure:

**Software Versions**

Device Software: 122.024.004.35400  
 Patch Version: None  
 Network Controller: 122.024.35400  
 UI Panel Firmware: 6.2  
 Marking Engine: 230.315  
 Document Feeder: 230.315  
 Finisher: 000.000.000  
 Fax: 000.000.000  
 Scanner: 230.315  
**Machine Upgrades:**  
 Last Successful Upgrade: December 24, 2024 11:39:56

**Media Trays**

Tray 1: Plain, White and A4 (210 x 297 mm)  
 Tray 2: Plain, White and A4 (210 x 297 mm)  
 Tray 3: Bond, White and A4 (210 x 297 mm)  
 Tray 4: Recycled, White and A4 (210 x 297 mm)  
 Tray 5: Lightweight Glossy Cardstock, White and A...  
 Bypass Tray: Plain, White and A4 (210 x 297 mm)

**Installed Options**

PS: Installed

**Connectivity**

**Mobile Workflows**

AirPrint Printing: Enabled  
 Mopria Printing Discovery: Enabled  
 AirPrint / Mopria Scanning Authentication: Enabled  
 Physical Connections: Disabled

**USB Settings**

USB Type A Ports: All Enabled  
 USB Type B Port: Disabled

**Wired:**

Ethernet MAC Address: Enabled  
 Ethernet Speed/Duplex Setting: auto  
**Wireless:** Disabled

**Wireless MAC Address:**

Network Name (SSID):

BSSID:

Security Mode:

Encryption Algorithm:

Status:

Wi-Fi Direct: Enabled

Wireless Hardware: Not Installed

Wi-Fi Protected Setup (WPS) Name:

Access Point (SSID):

Show Password on Device Touch Screen:

NFC:

iBeacon (Bluetooth®) for AirPrint Di...

iBeacon Hardware:

Bluetooth Device Address:

iBeacon IP Address:

**Protocols**

**TCP/IPV4:**

IP Address: Enabled  
 10.61.12.186  
 Subnet Mask: 255.255.255.0  
 Router/Gateway: 10.61.12.1  
 Automatic Addressing: DHCP  
 DHCP Server: 10.61.13.224  
 DHCP Lease Expiration: Fri Jan 10 16:31:43 2025  
 BOOTP Broadcast: Disabled  
 Self Assigned Address State: Enabled  
 Self Assigned Address:

**TCP/IPV6:**

Link Local Address: Enabled  
 fe80::5480:eff:fea7:a89c  
 Use Router Supplied Prefix: Enabled  
 Stateless Global Address 1: fd00:0:2:112:5480:eff:fea7:a89c  
 Stateless Global Address 2: ::  
 Manual Address:  
 DHCP Addressing: Use DHCP as directed by a router  
 DHCP Address:

Default Gateway: fe80::8afc:5dff:fe75:e282  
 DUID (DHCP Unique Identifier):

**DNS Settings:**

Requested Host Name: XR56800EA7A89C  
 Verified Host Name:  
 Requested Domain Name:  
 Verified Domain Name:  
 Multicast DNS: Enabled  
 Release DHCP Leases and DNS Registrati...: Disabled  
 Primary DNS Server: 10.61.7.15  
 Prefer IPv6 DNS over IPv4: Enabled

**Bonjour:**

Bonjour Printer Name: Xerox VersaLink C625 Color MFP (A7-A...

**HTTP:**

Force Traffic over Secure Connection (H...: Enabled  
 IPP: Enabled

**SNMP**

SNMP v1/v2: Enabled  
 SNMP v3: Disabled

**LPR/LPD:**

Enabled

**Raw IP Printing:**

**LDAP**

LDAP Server 1 Primary LDAP Address: 0.0.0.0:389  
 LDAP Server 1 Search Directory Root:  
 LDAP Server 1 Secure Connection (LDA...: Disabled  
 LDAP Server 1 Validate Server Certificate...: Disabled

**SMTP**

SMTP Server: 10.61.10.8:25  
 Connect Encryption (TLS): No Encryption  
 Validate Server Certificate (TLS):

**Protocols (cont.)**

<b>POP3</b>	
POP3 Server:	0.0.0.110
POP3 Secure Connection (TLS):	Disabled
E-mail Address:	
<b>NTP:</b>	Disabled
<b>FTP Client:</b>	Enabled
FTP Client Mode:	Passive
<b>Web Services on Device:</b>	Enabled

**Apps****Printing**

<b>Banner Sheet:</b>	Disabled
<b>Error Sheets:</b>	Enabled
<b>Paper Substitution:</b>	Enabled
<b>Tray Priority:</b>	1,2,3,4,5,6
<b>Archival Marking Mode</b>	Off
<b>PostScript</b>	Installed
Level:	3
Version:	3021.101
<b>PCL</b>	
Version:	6
Font Name:	Courier
<b>Custom Color Tables</b>	Enabled
Label:	Not Installed
<b>Fax:</b>	Not Present
Fax Line1:	
Fax Line2:	

**Server Fax:**

Repository Protocol:	Enabled
Repository Server:	SFTP
Repository Document Path:	10.61.23.93:22

**Workflow Scanning:**

**Email:** Enabled

**Scan to Mailbox:**

Storage Capacity (MB):	Enabled
Storage Used (MB):	672 MB
Cleanup of Public Folders:	49 MB
Cleanup of Created Folders:	Enabled
Cleanup Time:	Enabled
	Daily

**Scan to Home:**

**Scan To:** Disabled

**Cloud Services:** Enabled

**Print From:** Disabled

Saved Jobs for Reprint:	Enabled
Print From USB:	Enabled
Print From MailBox:	Disabled
Cloud Services:	Disabled

**Accounting**

<b>Accounting Mode:</b>	None
<b>Network Accounting:</b>	Disabled

**Security****Authentication Configuration**

<b>Machine UI Authentication:</b>	Locally on the Device
Home:	Unlocked
Jobs:	Unlocked
Device:	Unlocked
<b>Device Website Authentication:</b>	Locally on the Device
Authorization:	Locally on the Device
Retrieve E-mail from LDAP:	Enabled

**Authentication Server:**

Kerberos

**Xerox Secure Access:** Disabled

**Audit Log:** Enabled

**IP Sec:** Disabled

**IP Filtering:** Disabled

**Security Certificates**

Machine Certificate:	Signed
Root Certificates Installed:	54
<b>802.1x:</b>	Disabled

**Job Data Removal:**

Scheduled: Disabled

**FIPS 140-3:** Disabled

**TLS:** TLS 1.2 and TLS 1.3

TLS Hash: SHA-1, SHA-256 and above

**Trellix Embedded Control:** Disabled

## Common User Data

Machine Name:	Xerox VersaLink C625 Color MFP (A7A...
IP Address:	10.61.12.186
Machine Serial Number:	5322480247
Fax Line 1:	
Machine URL:	https://10.61.12.186
Machine Activation Date:	Jan 01, 1970 05:30:00
Black Impressions:	1245
Color Impressions:	960
Total Impressions:	2205

## Machine Profile

Xerox Asset Tag:	
Customer Asset Tag:	
Service Phone Number:	
Customer Support Number:	
Supplies Phone Number:	
System Administrator:	System Administrator name not set
Machine Location:	machine location not set
<b>Managed By</b>	
Primary MB Server:	

## Machine Hardware

Fax Card:	Not Present
Fax Memory Size:	0 MB
Foreign Interface Card:	not present
Device RAM Size:	3904 MB
Device Storage Size:	used=2757MB/total=13925MB (eMMC)
EPC Memory Size:	187 MB
Productivity Kit:	Not Installed
Finisher Type:	Simple Catch Tray
Finisher Punch:	None
Finisher Folder:	not present
Multi-feed Detection Kit:	Not Installed

## General Setup

Remote Services:	Enabled
Remote Software Download:	Enabled
Remote Services Trans. Time:	11:10
Xerox Workplace Cloud:	Enabled
E-mail Alerts:	Disabled
Service Plan:	Metered
Geographic Region:	unknown
GMT Offset:	+05:30
Cloning Installation:	Allowed (Encrypted Files Only)
File Sharing:	Enabled
JBIG2:	Lossless

## Energy Saver

Deep Sleep:	Enabled
Energy Saver Mode:	Job Activated
<b>Smart Proximity Sensor</b>	
Wake on Arrival:	Not Available
Sleep on Departure:	

## Software Versions

Device Software:	122.024.004.35400
Patch Version:	None
Network Controller:	122.024.35400
UI Panel Firmware:	6.2
Marking Engine:	230.315
Document Feeder:	230.315
Finisher:	000.000.000
Fax:	000.000.000
Scanner:	230.315
<b>Machine Upgrades:</b>	
Last Successful Upgrade:	December 24, 2024 11:39:56

## Media Trays

Tray 1:	Plain, White and A4 (210 x 297 mm)
Tray 2:	Plain, White and A4 (210 x 297 mm)
Tray 3:	Bond, White and A4 (210 x 297 mm)
Tray 4:	Recycled, White and A4 (210 x 297 mm)
Tray 5:	Lightweight Glossy Cardstock, White and A...
Bypass Tray:	Plain, White and A4 (210 x 297 mm)

## Installed Options

PS:	Installed
-----	-----------

## Connectivity

### Mobile Workflows

AirPrint Printing:	Enabled
Mopria Printing Discovery:	Enabled
AirPrint / Mopria Scanning Authentication:	Enabled
Physical Connections:	Disabled

### USB Settings

USB Type A Ports:	All Enabled
USB Type B Port:	Disabled
Wired:	Enabled
Ethernet MAC Address:	56:80:0e:a7:a8:9c
Ethernet Speed/Duplex Setting:	auto
Wireless:	Disabled

### Wireless

Wireless MAC Address:	
Network Name (SSID):	
BSSID:	
Security Mode:	
Encryption Algorithm:	
Status:	Enabled
Wi-Fi Direct:	Not Installed

Wireless Hardware:	
Wi-Fi Protected Setup (WPS) Name:	
Access Point (SSID):	
Show Password on Device Touch Screen:	
NFC:	Enabled
iBeacon (Bluetooth®) for AirPrint Di...:	Enabled
iBeacon Hardware:	Not Installed
Bluetooth Device Address:	
iBeacon IP Address:	

## Protocols

### TCP/IPv4:

IP Address:	Enabled
10.61.12.186	
Subnet Mask:	255.255.255.0
Router/Gateway:	10.61.12.1
Automatic Addressing:	DHCP
DHCP Server:	10.61.13.224
DHCP Lease Expiration:	Fri Jan 10 16:35:33 2025
BOOTP Broadcast:	Disabled
Self Assigned Address State:	Enabled
Self Assigned Address:	

### TCP/IPv6:

Link Local Address:	Enabled
fe80::5480:eff:fea7:a89c	
Use Router Supplied Prefix:	Enabled
Stateless Global Address 1:	fd00:0:2:112:5480:eff:fea7:a89c
Stateless Global Address 2:	::
Manual Address:	
DHCP Addressing:	Use DHCP as directed by a router
DHCP Address:	
Default Gateway:	fe80::8afc:5dff:fe75:e282
DUID (DHCP Unique Identifier):	

### DNS Settings:

Requested Host Name:	XRX56800EA7A89C
Verified Host Name:	
Requested Domain Name:	
Verified Domain Name:	
Multicast DNS:	Enabled
Release DHCP Leases and DNS Registrat...:	Disabled
Primary DNS Server:	10.61.7.15
Prefer IPv6 DNS over IPv4:	Enabled

### Bonjour:

Bonjour Printer Name:	Xerox VersaLink C625 Color MFP (A7A...
HTTP:	Enabled
Force Traffic over Secure Connection (H... IPP:	Yes
IPP:	Enabled

### SNMP

SNMP v1/v2:	Enabled
SNMP v3:	Disabled
LPR/LPD:	Enabled
Raw IP Printing:	Enabled

### LDAP

LDAP Server 1 Primary LDAP Address:	0.0.0.0:389
LDAP Server 1 Search Directory Root:	
LDAP Server 1 Secure Connection (LDA...:	Disabled
LDAP Server 1 Validate Server Certificate...:	Disabled

### SMTP

SMTP Server:	10.61.10.8:25
Connect Encryption (TLS):	No Encryption
Validate Server Certificate (TLS):	

**Protocols (cont.)**

POP3	
POP3 Server:	0.0.0.0:110
POP3 Secure Connection (TLS):	Disabled
E-mail Address:	
NTP:	Disabled
FTP Client:	Enabled
FTP Client Mode:	Passive
Web Services on Device:	Enabled

**Apps****Printing**

Banner Sheet:	Disabled
Error Sheets:	Enabled
Paper Substitution:	Enabled
Tray Priority:	1,2,3,4,5,6
Archival Marking Mode	Off
PostScript	Installed
Level:	3
Version:	3021.101
PCL	
Version:	6
Font Name:	Courier
Custom Color Tables	Enabled
Label:	Not Installed

**Fax:**

Fax Line1:	Not Present
Fax Line2:	

**Server Fax:**

Repository Protocol:	Enabled
Repository Server:	SFTP
Repository Document Path:	10.61.23.93:22

**Workflow Scanning:**

	Enabled
--	---------

**Email:**

	Enabled
--	---------

**Scan to Mailbox:**

Storage Capacity (MB):	Enabled
Storage Used (MB):	672 MB
Cleanup of Public Folders:	49 MB
Cleanup of Created Folders:	Enabled
Cleanup Time:	Enabled
	Daily

**Scan to Home:**

	Disabled
--	----------

**Scan To:**

	Enabled
--	---------

**Cloud Services:**

	Disabled
--	----------

**Print From:**

Saved Jobs for Reprint:	Enabled
Print From USB:	Enabled
Print From MailBox:	Disabled
Cloud Services:	Disabled

**Accounting**

Accounting Mode:	None
Network Accounting:	Disabled

**Security****Authentication Configuration**

Machine UI Authentication:	Locally on the Device
Home:	Unlocked
Jobs:	Unlocked
Device:	Unlocked
Device Website Authentication:	Locally on the Device
Authorization:	Locally on the Device
Retrieve E-mail from LDAP:	Enabled

**Authentication Server:**

	Kerberos
--	----------

**Xerox Secure Access:**

	Disabled
--	----------

**Audit Log:**

	Enabled
--	---------

**IP Sec:**

	Disabled
--	----------

**IP Filtering:**

	Disabled
--	----------

**Security Certificates**

Machine Certificate:	Signed
Root Certificates Installed:	54

**802.1x:**

	Disabled
--	----------

**Job Data Removal:**

Scheduled:	Disabled
------------	----------

**FIPS 140-3:**

	Disabled
--	----------

**TLS:**

TLS Hash:	TLS 1.2 and TLS 1.3
	SHA-1, SHA-256 and above

**Trellix Embedded Control:**

	Disabled
--	----------

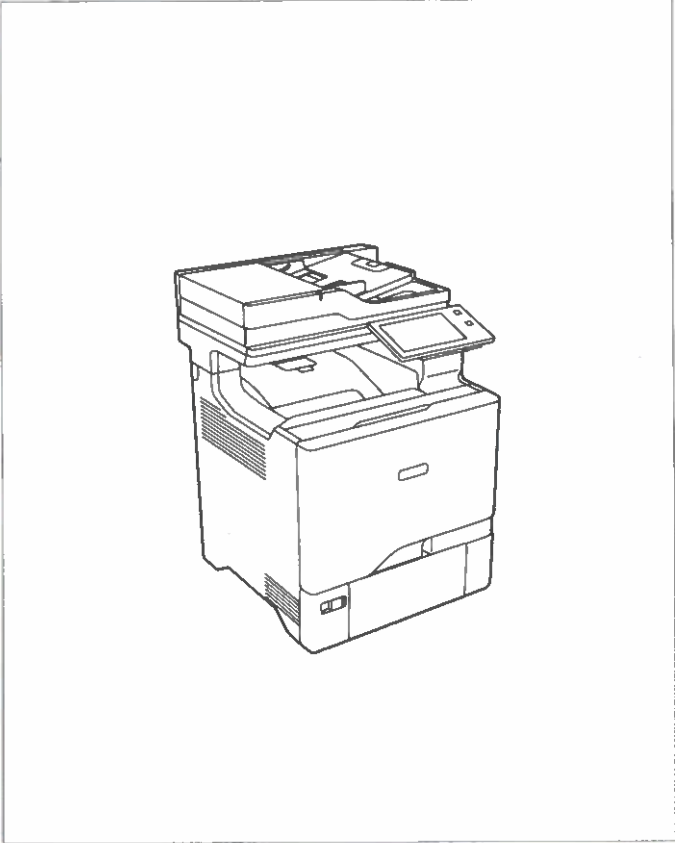
# Supplies Usage

## Consumables

### Toner Cartridges



<p><b>Black</b></p> <p>Date Installed: Feb 6, 2024 Reorder: 00 Estimated Pages Remaining: 14500 (Based upon this toner cartridge's average coverage: 2%)</p>	<p>Life Remaining</p> <p>100% 50% 0%</p>
<p><b>Cyan</b></p> <p>Date Installed: Feb 15, 2023 Reorder: 00 Estimated Pages Remaining: 10000 (Based upon this toner cartridge's average coverage: 0%)</p>	<p>Life Remaining</p> <p>100% 50% 0%</p>
<p><b>Magenta</b></p> <p>Date Installed: Dec 13, 2023 Reorder: 00 Estimated Pages Remaining: 2000 (Based upon this toner cartridge's average coverage: 1%)</p>	<p>Life Remaining</p> <p>100% 50% 0%</p>
<p><b>Yellow</b></p> <p>Date Installed: Dec 13, 2023 Reorder: 00 Estimated Pages Remaining: 2500 (Based upon this toner cartridge's average coverage: 5%)</p>	<p>Life Remaining</p> <p>100% 50% 0%</p>



## Routine Maintenance Items

### Imaging Units



<p><b>Black Imaging Kit</b></p> <p>Date Installed: Feb 6, 2024 Reorder: 4 Estimated Pages Remaining: 150000 (Based on average printer job size: 1 Pages)</p>	<p>Life Remaining</p> <p>100% 50% 0%</p>
<p><b>Color Imaging Kit</b></p> <p>Date Installed: Feb 6, 2024 Reorder: 4 Estimated Pages Remaining: 150000 (Based on average printer job size: 1 Pages)</p>	<p>Life Remaining</p> <p>100% 50% 0%</p>

### Waste Container



Date Installed: Dec 6, 2024  
Reorder: 008

OK

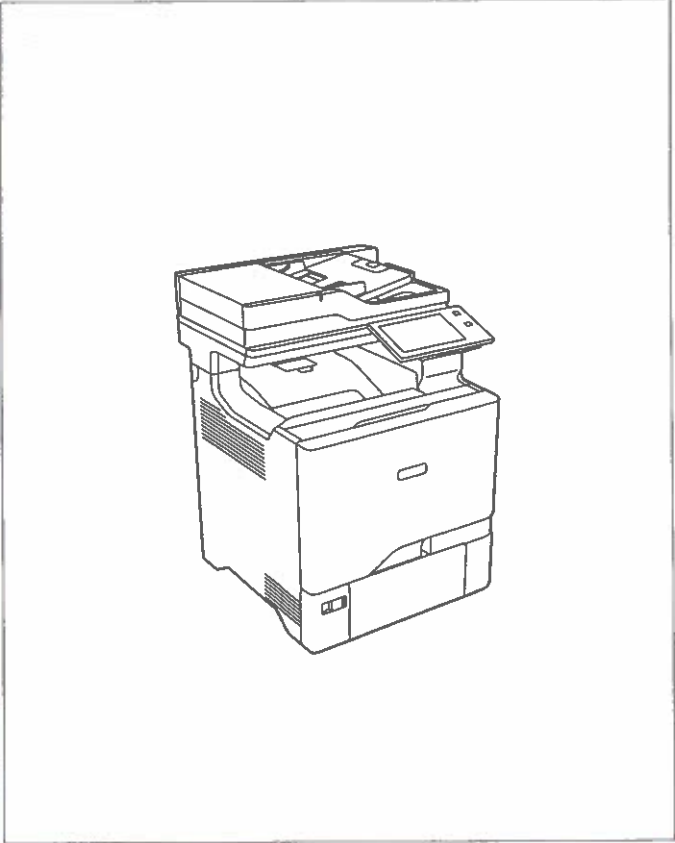
# Supplies Usage

## Consumables

### Toner Cartridges



<p><b>Black</b></p> <p>Date Installed: Feb 6, 2024 Reorder: 00 Estimated Pages Remaining: 14500 (Based upon this toner cartridge's average coverage: 2%)</p>	<p>Life Remaining</p> <p>100 % 50 % 0 %</p>
<p><b>Cyan</b></p> <p>Date Installed: Feb 15, 2023 Reorder: 00 Estimated Pages Remaining: 10000 (Based upon this toner cartridge's average coverage: 9%)</p>	<p>Life Remaining</p> <p>100 % 50 % 0 %</p>
<p><b>Magenta</b></p> <p>Date Installed: Sep 25, 2024 Reorder: 00 Estimated Pages Remaining: 6000 (Based upon this toner cartridge's average coverage: 0%)</p>	<p>Life Remaining</p> <p>100 % 50 % 0 %</p>
<p><b>Yellow</b></p> <p>Date Installed: Dec 13, 2023 Reorder: 00 Estimated Pages Remaining: 2500 (Based upon this toner cartridge's average coverage: 5%)</p>	<p>Life Remaining</p> <p>100 % 50 % 0 %</p>



## Routine Maintenance Items

### Imaging Units



<p><b>Black Imaging Kit</b></p> <p>Date Installed: Feb 6, 2024 Reorder: 4 Estimated Pages Remaining: 150000 (Based on average printer job size: 1 Pages)</p>	<p>Life Remaining</p> <p>100 % 50 % 0 %</p>
<p><b>Color Imaging Kit</b></p> <p>Date Installed: Feb 6, 2024 Reorder: 4 Estimated Pages Remaining: 150000 (Based on average printer job size: 1 Pages)</p>	<p>Life Remaining</p> <p>100 % 50 % 0 %</p>

### Waste Container



Date Installed: Dec 6, 2024  
Reorder: 008

OK

## Übliche Benutzerdaten

Gerätename:	Xerox VersaLink C625 Color MFP (A7A...
IP-Adresse:	10.61.12.186
Geräteseriennummer:	5322480247
Faxleitung 1:	
Geräte-URL:	https://10.61.12.186
Datum der Geräteaktivierung:	Jan 01, 1970 05:30:00
Schwarzdrucke:	1246
Farbdrucke:	964
Druckseiten, gesamt:	2210

## Geräteprofil

Kennzeichen (Xerox):	
Kennzeichen (eigenes):	
Kundendienst-Telefonnr.:	
Telefonnummer für Kundendienst:	
Telefonnummer für Verbrauchsmaterial:	
Systemadministrator:	Name des Systemadministrators nicht eing...
Gerätestandort:	Gerätestandort nicht eingestellt

## Verwaltet von

Primärer MB-Server:

## Geräte-Hardware

Fax-Karte:	Nicht vorhanden
Fax-Speichergröße:	0 MB
Externe Schnittstelle:	nicht vorhanden
Größe des Geräte-Arbeitsspeichers (R...):	3904 MB
Größe des Gerätespeichers:	benutzt=2953MB/gesamt=13925MB (eMMC)
EPC-Speichergröße:	187 MB
Produktivitäts-Kit:	Nicht installiert
Finisher-Typ:	Einfaches Ausgabefach
Locher des Finishers:	Kein(e)
Falzmodul:	nicht vorhanden
Kit für Erkennung von Mehrfacheinzügen:	Nicht installiert

## Allgemeine Einrichtung

Fernservice:	Aktiviert
Remote-Software-Download:	Aktiviert
Uhrzeit für Fernservice-Übertragung:	11:10
Xerox Workplace Cloud:	Aktiviert
E-Mail-Warnungen:	Deaktiviert
Wartungsplan:	Zählergebunden
Geografische Region:	Unbekannt
Versatz zu Weltzeit (GMT):	+05:30
Klonen der Installation:	Zulässig (nur verschlüsselte Dateien)
Dateifreigabe:	Aktiviert
JBIG2:	Verlustfrei

## Energiesparbetrieb

Ruhezustand:	Aktiviert
Energiesparbetrieb:	Auftragsgesteuert
Intelligenter Näherungssensor:	Nicht verfügbar

## Reaktivierung bei Ankunft:

Ruhezustand bei Verlassen:

## Softwareversionen

Gerätesoftware:	122.024.004.35400
Patch-Version:	Kein(e)
Netzwerkcontroller:	122.024.35400
Steuerpult-Firmware:	6.2
Druckeinheit:	230.315
Vorlageneinzug:	230.315
Finisher:	000.000.000
Fax:	000.000.000
Scanner:	230.315
Geräteaktualisierungen:	Zugelassen
Letzte erfolgreiche Aktualisierung:	Dezember 24, 2024 11:39:56

## Materialbehälter

Behälter 1:	Normal, Weiß and A4 (210 x 297 mm)
Behälter 2:	Normal, Weiß and A4 (210 x 297 mm)
Behälter 3:	Postpapier, Weiß and A4 (210 x 297 mm)
Behälter 4:	Umweltpapier, Weiß and A4 (210 x 297...)
Behälter 5:	Leichter Hochglanzkarton, Weiß and A4 (21...
Zusatzzufuhr:	Normal, Weiß and A4 (210 x 297 mm)

## Installierte Optionen

PS:	Installiert
-----	-------------

## Netzanschluss

### Mobile Workflows

AirPrint-Druck:	Aktiviert
Mopria-Druckersuche:	Aktiviert
AirPrint-/Mopria-Scanbetrieb:	Aktiviert
Authentifizierung:	Deaktiviert

### Verbindungen

USB-Einstellungen	
USB-Anschlüsse, Typ A	Alle aktiviert
USB-Anschluss, Typ B	Deaktiviert
Kabelverbindung:	Aktiviert
Ethernet-MAC-Adresse:	56:80:0e:a7:a8:9c
Ethernet-Geschwindigkeit/Duplexeinst...:	automatisch
Wireless:	Deaktiviert

WLAN-MAC-Adresse:	
Netzwerkname (SSID):	
BSSID:	
Sicherheitsmodus:	
Verschlüsselungsalgorithmus:	
Status:	
Wi-Fi Direct:	Aktiviert
Wireless-Hardware:	Nicht installiert

WPS-Name (Wi-Fi Protected Setup):	
Zugriffspunkt (SSID):	
Kennwert am Gerätetouchscreen anzeigen:	
NFC:	Aktiviert
iBeacon (Bluetooth®) zur AirPrint-Erken...:	Aktiviert
iBeacon-Hardware:	Nicht installiert
Bluetooth-Geräteadresse:	
iBeacon-IP-Adresse:	

## Protokolle

### TCP/IPV4:

IP-Adresse:	Aktiviert
10.61.12.186	
Subnet Mask:	255.255.255.0
Router/Gateway:	10.61.12.1
Automatische Adressierung:	DHCP
DHCP-Server:	10.61.13.224
Ende der DHCP-Leasefrist:	Fri Jan 10 16:35:33 2025
BOOTP-Broadcast:	Deaktiviert
Selbstzugewiesener Adressenzustand:	Aktiviert
Selbstzugewiesene Adresse:	

### TCP/IPV6:

Linklokale Adresse:	Aktiviert
fe80::5480:eff:fea7:a89c	
Von Router geliefertes Präfix verwen...:	Aktiviert
Zustandslose globale Adresse 1:	fd00:0:2:112:5480:eff:fea7:a89c
Zustandslose globale Adresse 2:	::
Manuelle Adresse:	
DHCP-Adressierung:	DHCP laut Routeranweisung verwenden
DHCP-Adresse:	
Standard-Gateway:	fe80::8afc:5dff:fe75:e282

### DUID (DHCP Unique Identifier):

XXR56800EA7A89C

### DNS-Einstellungen:

Angefordertes Hostname:	
Überprüfter Hostname:	
Angefordertes Domänenname:	
Überprüfter Domänenname:	
Multicast-DNS:	Aktiviert
DHCP-Leases und DNS-Registrierungen fr...:	Deaktiviert
Primärer DNS-Server:	10.61.7.15
IPv6 DNS vorrangig vor IPv4:	Aktiviert

### Bonjour:

Bonjour-Druckername: Xerox VersaLink C625 Color MFP (A7A...

### HTTP:

Datenverkehr zwangsweise über sichere V...:	Aktiviert
IPP:	Aktiviert

### SNMP

SNMP v1/v2:	Aktiviert
SNMP v3:	Deaktiviert

### LPR/LPD:

LPR/LPD: Aktiviert

### Raw IP-Druck:

### LDAP

LDAP-Server 1 - primäre LDAP-Adresse:	0.0.0.0:389
LDAP-Server 1 - Suchstammverzeichnis:	
LDAP-Server 1 - sichere Verbindung (LD...):	Deaktiviert
LDAP-Server 1 - Serverzertifikat überprüf...:	Deaktiviert

### SMTP

SMTP-Server:	10.61.10.8:25
Verbindungsverschlüsselung (TLS):	Keine Verschlüsselung
Serverzertifikat überprüfen(TLS):	

**Protokolle (Forts.)**

POP3	
POP3-Server:	0.0.0.0:110
Sichere POP3-Verbindung (TLS):	Deaktiviert
E-Mail-Adresse:	
NTP:	Deaktiviert
FTP-Client:	Aktiviert
FTP-Client-Modus:	Passiv
WSD (Web Services on Device):	Aktiviert

**Apps****In Druckausgabe**

Begleitblatt:	Deaktiviert
Fehlerblätter:	Aktiviert
Materialersatz:	Aktiviert
Behälterpriorität:	1,2,3,4,5,6
Archivierungskennzeichnungsmodus	Aus
PostScript	Installiert
Version:	3
Version:	3021.101
PCL	
Version:	6
Schriftartname:	Courier
Benutzerdefinierte Farbtabelle	Aktiviert
Label:	Nicht installiert
Fax:	Nicht vorhanden
Faxleitung 1:	
Faxleitung 2:	

**Server-Fax:**

Ablagebereich-Protokoll:	Aktiviert
Ablagebereich-Server:	SFTP
Ablagebereich-Server:	10.61.23.93:22
Pfad für Ablagebereich:	\

**Workflow-Scannen:**

	Aktiviert
--	-----------

**E-Mail:**

	Aktiviert
--	-----------

**Scan-Ausgabe - Mailbox:**

Speicherkapazität (MB):	Aktiviert
Belegte Speicherkapazität (MB):	672 MB
Bereinigung öffentlicher Ordner:	49 MB
Bereinigung erstellter Ordner:	Aktiviert
Bereinigungszeit:	Aktiviert
	Täglich

**Scan-Ausgabe - Home:**

	Deaktiviert
--	-------------

**Scanausgabe:**

Clouddienste	Aktiviert
	Deaktiviert

**Drucken von:**

Gespeicherte Aufträge für Nachdruck:	Aktiviert
USB-Direktdruck:	Aktiviert
Druck aus Mailbox:	Deaktiviert
Clouddienste	Deaktiviert

**Kostenzählung**

Kostenzählungsmodus:	Kein(e)
Netzwerkostenzählung:	Deaktiviert

**Sicherheit****Authentifizierungskonfiguration**

Authentifizier., Gerätedisplay:	Am Gerät
Startseite:	Entsperrt
Aufträge:	Entsperrt
Gerät:	Entsperrt
Gerätewebsiteauthentifizierung:	Am Gerät
Autorisierung:	Am Gerät
E-Mail von LDAP automatisch abrufen:	Aktiviert

**Authentifizierungsserver:**

	Kerberos
--	----------

**Xerox Secure Access:**

	Deaktiviert
--	-------------

**Prüfprotokoll:**

	Aktiviert
--	-----------

**IP-Sec:**

	Deaktiviert
--	-------------

**IP-Filterung:**

	Deaktiviert
--	-------------

**Sicherheitszertifikate**

Gerätezertifikat:	Signiert
Stammzertifikat installiert:	54

**802.1x:**

	Deaktiviert
--	-------------

**Auftragsdatenlöschung:**

Planmäßig:	Deaktiviert
------------	-------------

**FIPS 140-3**

	Deaktiviert
--	-------------

**TLS:**

	TLS 1.2 und TLS 1.3
	SHA-1, SHA-256 und höher

**Trellix Embedded Control:**

	Deaktiviert
--	-------------

## Übliche Benutzerdaten

Gerätename:	Xerox VersaLink C625 Color MFP (A7:A...
IP-Adresse:	10.61.12.186
Geräteseriennummer:	5322480247
Faxleitung 1:	
Geräte-URL:	https://10.61.12.186
Datum der Geräteaktivierung:	Jan 01, 1970 05:30:00
Schwarzdrucke:	1246
Farbdrucke:	964
Druckseiten, gesamt:	2210

## Geräteprofil

Kennzeichen (Xerox)	
Kennzeichen (eigenes)	
Kundendienst-Telefonnr.:	
Telefonnummer für Kundendienst:	
Telefonnummer für Verbrauchsmaterial:	
Systemadministrator:	Name des Systemadministrators nicht eing...
Gerätestandort:	Gerätestandort nicht eingestellt
<b>Verwaltet von</b>	
Primärer MB-Server:	

## Geräte-Hardware

Fax-Karte:	Nicht vorhanden
Fax-Speichergöße:	0 MB
Externe Schnittstelle:	nicht vorhanden
Größe des Geräte-Arbeitsspeichers (R...):	3904 MB
Größe des Gerätespeichers:	benutzt=2954MB/gesamt=13925MB (eMMC)
EPC-Speichergöße:	187 MB
Produktivitäts-Kit:	Nicht installiert
Finisher-Typ:	Einfaches Ausgabefach
Locher des Finishers	Kein(e)
Falzmodul:	nicht vorhanden
Kit für Erkennung von Mehrfacheinzügen:	Nicht installiert

## Allgemeine Einrichtung

Fernservice:	Aktiviert
Remote-Software-Download:	Aktiviert
Uhrzeit für Fernservice-Übertragung:	11:10
Xerox Workplace Cloud	Aktiviert
E-Mail-Warnungen:	Deaktiviert
Wartungsplan:	Zählergebunden
Geografische Region	Unbekannt
Startkonfigurationsbericht:	Aktiviert
Versatz zu Weltzeit (GMT):	+05:30
Klonen der Installation	Zulässig (nur verschlüsselte Dateien)
Druckübermittlung von Klondateien zu...:	Aktiviert
Dateifreigabe	Aktiviert
JBIG2	Verlustfrei

## Energiesparbetrieb

Ruhezustand:	Aktiviert
Energiesparbetrieb:	Auftragsgesteuert
Ruhezustand-Timer:	120 Minuten
Automatisch Aus:	Deaktiviert

## Softwareversionen

Geräte-Software:	122.024.004.35400
Patch-Version:	Kein(e)
Netzwerkcontroller:	122.024.35400
Steuerpult-Firmware:	6.2
Benutzeroberfläche:	122.024.35400
Druckelnheit:	230.315
Kopiercontroller:	122.024.35400
Vorlageneinzug:	230.315
Finisher:	000.000.000
Fax:	000.000.000
Betriebssystem:	230.315
Scanner	230.315
Softwareaktualisierung:	005.007
Upgrade der ALTBOT-Software:	005.007
Behälter 2:	A15.51_B2.3
Behälter 3:	A15.51_B2.3
Behälter 4:	A15.51_B2.3
Behälter 5:	A15.51_B2.3

## Geräteaktualisierungen:

Letzte erfolgreiche Aktualisierung:	Zugelassen
Planmäßige autom. Aktualisierungen:	Dezember 24, 2024 11:39:56
Startzeit der automatischen Aktualis...:	Deaktiviert
Server für automatische Aktualisierung:	Täglich
	0.0.0.0:21

## Materialbehälter

Behälter 1:	Normal, Weiß and A4 (210 x 297 mm)
Behälter 2:	Normal, Weiß and A4 (210 x 297 mm)
Behälter 3:	Postpapier, Weiß and A4 (210 x 297 mm)
Behälter 4:	Umweltpapier, Weiß and A4 (210 x 297 mm)
Behälter 5:	Leichter Hochglanzkarton, Weiß and A4 (210 x 297 mm)
Zusatzzufuhr:	Normal, Weiß and A4 (210 x 297 mm)

## Netzanschluss

<b>Mobile Workflows</b>	
AirPrint-Druck:	Aktiviert
Mopria-Druckersuche:	Aktiviert
AirPrint-/Mopria-Scanbetrieb	Aktiviert
Authentifizierung	Deaktiviert
Universal Print:	Deaktiviert
Universal Print-Registrierungsstatus:	Nicht registriert
<b>Verbindungen</b>	
<b>USB-Einstellungen</b>	
USB-Anschlüsse, Typ A	Alle aktiviert
USB-Anschluss, Typ B	Deaktiviert
Verbindungs-Timeout	5 Sekunden
<b>Kabelverbindung:</b>	Aktiviert
Ethernet-MAC-Adresse:	56:80:0e:a7:a8:9c
Ethernet-Geschwindigkeit/Duplexeinst...:	automatisch
<b>Wireless:</b>	Deaktiviert
WLAN-MAC-Adresse:	
Netzwerkname (SSID):	
BSSID:	
Sicherheitsmodus:	
Verschlüsselungsalgorithmus:	
Status:	
<b>Wi-Fi Direct:</b>	Aktiviert
Wireless-Hardware:	Nicht installiert
WPS-Name (Wi-Fi Protected Setup):	
Verbindungsmethode:	
Subnetz-Adresspräfix:	
Zugriffspunkt (SSID):	
Kennwort am Gerätetouchscreen anzeigen:	
<b>NFC:</b>	Aktiviert
iBeacon (Bluetooth®) zur AirPrint-Erken...:	Aktiviert
iBeacon-Hardware:	Nicht installiert
Bluetooth-Geräteadresse:	
iBeacon-IP-Adresse:	

## Protokolle

<b>TCP/IPV4:</b>	
IP-Adresse:	Aktiviert
Subnet Mask:	10.61.12.186
Router/Gateway:	255.255.255.0
Automatische Adressierung:	10.61.12.1
DHCP-Server:	DHCP
Ende der DHCP-Leasefrist:	10.61.13.224
BOOTP-Broadcast:	Fri Jan 10 16:35:33 2025
Selbstzugewiesener Adressenzustand:	Deaktiviert
Selbstzugewiesene Adresse:	Aktiviert
<b>TCP/IPV6:</b>	
Linklokale Adresse:	fe80::5480:eff:fea7:a89c
Von Router geliefertes Präfix verwenden...:	Aktiviert
Zustandslose globale Adresse 1:	fd00:0:2:112:5480:eff:fea7:a89c
Zustandslose globale Adresse 2:	=
Manuelle Adresse:	
DHCP-Adressierung:	DHCP laut Routeranweisung verwenden
DHCP-Adresse:	
Standard-Gateway:	fe80::8afc:5dff:fe75:e282
DUID (DHCP Unique Identifier):	
<b>DNS-Einstellungen:</b>	
Angefordertes Hostname:	XRX56800EA7A89C
Überprüfter Hostname:	
Angefordertes Domänenname:	
Überprüfter Domänenname:	
Multicast-DNS:	Aktiviert
DHCP-Leases und DNS-Registrierungen fr...:	Deaktiviert
Primärer DNS-Server:	10.61.7.15
Alternativer DNS Server 1:	10.61.10.6
Alternativer DNS Server 2:	::
DNS-Verbindungstimeout:	5
Gerätedomäne anfügen:	Aktiviert
Übergeordnete Domänen anfügen:	Deaktiviert
DNS-Domänensuchliste:	XEROXQA.COM.
IPv6 DNS vorrangig vor IPv4:	Aktiviert

## Installierte Optionen

PS:	Installiert
-----	-------------

## Protokolle (Forts.)

<b>Bonjour:</b>	
Bonjour-Druckername:	Xerox VersaLink C625 Color MFP (A7-A...
<b>HTTP:</b>	
Anschlussnummer:	Aktiviert
Datenverkehr zwangsweise über sichere V...:	80
Sichere HTTP-Anschlussnummer:	Ja
Proxyserver:	443
Proxyserver-Adresse:	Manuell
IPP:	10.177.8.91:8080
Sicherer IPP-Modus:	Aktiviert
IPP-Netzwerkpfad:	IPP und sicheres IPPS
	http://10.61.12.186:631
<b>SNMP:</b>	
SNMP v1/v2:	Aktiviert
SNMP v3:	Deaktiviert
<b>LPR/LPD:</b>	
Anschlussnummer:	Aktiviert
PDL-Wechsel:	515
Überschreiben von PDL-Begleitblatt:	Deaktiviert
<b>Raw IP-Druck:</b>	
Anschlussnummer 1:	Aktiviert
Bidirektional:	9100
Auftragsende-Timerout:	Deaktiviert
PDL-Wechsel:	300
<b>LDAP:</b>	
LDAP-Server 1 - angezeigter Name:	
LDAP-Server 1 - primäre LDAP-Adresse:	0.0.0.0:389
LDAP-Server 1 - alternative LDAP-Adr...:	0.0.0.0:389
LDAP-Server 1 - Suchstammverzeichnis:	
LDAP-Server 1 - sichere Verbindung (LD...:	Deaktiviert
LDAP-Server 1 - Serverzertifikat überprüf...:	Deaktiviert
<b>SMTP:</b>	
SMTP-Server:	10.61.10.8.25
Verbindungsverschlüsselung (TLS):	Keine Verschlüsselung
Serverzertifikat überprüfen(TLS):	
Max. Meldungsumfang (KB):	10240
Anzahl der Fragmente:	1
Auftragsgesamtumfang (KB):	300000
Auftragstellungsgrenze:	Seite
Anmeldeinformationen für automatische E-Mail-Nac...:	Kein(e)
Anmeldeinformationen für Standardbenutzer:	Kein(e)
<b>POP3:</b>	
POP3-Server:	0.0.0.0:110
Sichere POP3-Verbindung (TLS):	Deaktiviert
E-Mail-Adresse:	
E-Mail-Empfang über POP3:	Deaktiviert
Bei Anforderung Bestätigung senden:	Aktiviert
Deckblatt, eingehende E-Mail:	Aktiviert
<b>NTP:</b>	
Primärer Server:	Deaktiviert
Alternativer Server:	0.0.0.0:123
<b>SLP:</b>	
FTP-Client:	Deaktiviert
FTP-Client-Modus:	Aktiviert
<b>WSD (Web Services on Device):</b>	
WS-Discovery:	Aktiviert
WS-Discovery Multicast:	Aktiviert
WS-Print:	Aktiviert
WS-Scan:	Aktiviert
<b>Web Services:</b>	
Kopierübermittlung:	Aktiviert
Verwaltung des digitalen Zertifikats und S...:	Aktiviert
Registrierung für Erweiterungsdienste:	Aktiviert
Auftragsmits:	Aktiviert
Erweiterte Auftragsverwaltung:	Aktiviert
Gerätekonfiguration:	Aktiviert
Scanübermittlung:	Aktiviert
Scanworkflowverwaltung:	Aktiviert
Sitzungsdaten:	Aktiviert
Konfiguration der Benutzeroberfläche:	Aktiviert
EIP Proxy-Konfiguration:	Aktiviert
Xerox Secure Access:	Deaktiviert
EIP SNMP-Konfiguration:	Aktiviert
Druckübermittlung:	Aktiviert
Scanprofilverw.:	Aktiviert
Massenspeicherzugriff:	Aktiviert
Kartenleserzugriff:	Aktiviert
Konfiguration der Authentifizierung und K...:	Aktiviert
Prüfprotokoll exportieren:	Aktiviert
Trellix Embedded Control:	Aktiviert

## Apps

## In Druckausgabe

Begleitblatt:	Deaktiviert
System-/Startauftrag:	Deaktiviert
Angehaltene Aufträge löschen nach:	3 Day(s) 0 Hour(s) 0 Minute(s)
Fehlerblätter:	Aktiviert
Materialersatz:	Aktiviert
Behälterpriorität:	1,2,3,4,5,6
Standardaufgabe:	1
Standardauftragsart:	Proof-Druck
Standardformat:	x=8.50 inches, y=11.00 inches
Standardmaterialfarbe:	Weiß
2-seitiger Seitenaufdruck als Standard:	2-seitig
Standardausgabefach:	Mittleres Fach
Standardausgabefarbe:	Farbe
Sortierte Sätze als Standard:	Aktiviert
Standardheftung:	Keine Heftung
Versatz zwischen Aufträgen erfolgt:	Kein Versatz zwischen Aufträgen
Archivierungskennzeichnungsmodus:	Aus
PostScript:	Installiert
Version:	3
Version:	3021.101
Bildqualität:	Verbessert
<b>PCL:</b>	
Version:	6
Schrittweite:	10.00
Schriftgrad:	12.00
Schriftartname:	Courier
Zeilen pro Seite:	60
<b>Benutzerdefinierte Farbtabelle:</b>	
Label:	Aktiviert
	Nicht installiert
	Nicht vorhanden
<b>Fax:</b>	
Faxleitung 1:	
Faxleitung 2:	
<b>Server-Fax:</b>	
Bestätigungsblatt:	Aktiviert
Start verzögern:	Ein
Ablagebereich-Protokoll:	Deaktiviert
Ablagebereich-Server:	SFTP
Pfad für Ablagebereich:	10.61.23.93.22
	\
<b>Workflow-Scannen:</b>	
Bestätigungsblatt:	Aktiviert
Standardablagebereichprotokoll:	Ein
Standardablagebereichserver:	SMB
Pfad für Standardablagebereich:	10.61.23.93.445
	/
Standardablagebereich-Anmeldeinformationen:	Gerät
Alt1-Ablagebereich - Protokoll:	SMB
Alt1-Ablagebereich - Server:	0.0.0.0:0
Alt1-Ablagebereich - Pfad:	
Alt1-Ablagebereich - Anmeldeinformationen:	Gerät
Workflowsammlungprotokoll:	SMB
Workflowsammlungserver:	0.0.0.0:0
Workflowsammlungspfad:	
<b>E-Mail:</b>	
Standardabsenderadresse:	Aktiviert
Bestätigungsblatt:	rathimeenas@xeroxqa.com
Automatisch an Eigenadresse senden:	Ein
E-Mailicherheit:	Deaktiviert
	Deaktiviert
<b>Scan-Ausgabe - Mailbox:</b>	
Mailboxen standardmäßig anzeigen:	Aktiviert
Speicherkapazität (MB):	Aktiviert
Belegte Speicherkapazität (MB):	672 MB
Bereinigung öffentlicher Ordner:	49 MB
Bereinigung erstellter Ordner:	Aktiviert
Bereinigungszeit:	Aktiviert
	Täglich
<b>Scan-Ausgabe - Home:</b>	
Benutzerlesbarer Name:	Deaktiviert
Workflowname:	Deaktiviert
Unterverzeichnis autom. erstellen:	Deaktiviert
Benutzernamen an Pfad anfügen:	Deaktiviert
Benutzernamensverz. autom. erstellen:	Deaktiviert
<b>Scanausgabe:</b>	
Clouddienste:	Aktiviert
	Deaktiviert
<b>Drucken von:</b>	
Gespeicherte Aufträge für Nachdruck:	Aktiviert
USB-Direktdruck:	Aktiviert
Druck aus Mailbox:	Aktiviert
Clouddienste:	Deaktiviert
	Deaktiviert

**Kostenzählung**

Kostenzählungsmodus:	Kein(e)
Netzwerkkostenzählung:	Deaktiviert

**Sicherheit****Authentifizierungskonfiguration**

Authentifizier., Gerätedisplay:	Am Gerät
Startseite:	Entsperrt
Aufträge:	Entsperrt
Gerät:	Entsperrt
Gerätewebsiteauthentifizierung:	Am Gerät
Autorisierung:	Am Gerät
E-Mail von LDAP automatisch abrufen:	Aktiviert

**Authentifizierungsserver:**

Kerberos Primärer Bereich:	
Kerberos-Primäradresse:	0.0.0.88
Kerberos Alt. 1 Bereich:	
Kerberos Alt. 1 Adresse:	0.0.0.88
SMB NT-Domäne:	
SMB Alt. 1 NT-Domäne:	
Smartcard-Controllerserver:	0.0.0.443
Smartcard-Controllerdomäne:	
SmartCard-OCSP-URL:	
Upgrade-Richtlinie für Kartenlesegerät:	Aktiviert
Firmwareversion des Kartenlesegeräts:	

**Xerox Secure Access:**

Secure Access-Server:	Deaktiviert
Secure Access-Pfad:	0.0.0.443

**Prüfprotokoll:**

Aktiviert

**IP-Sec:**

Deaktiviert

**IP-Filterung:**

Deaktiviert

**Sicherheitszertifikate**

Gerätezertifikat:	Signiert
Stammzertifikat installiert:	54
<b>802.1x:</b>	Deaktiviert

**Auftragsdatenlöschung:**

Planmäßig:	Deaktiviert
Planmäßiges Intervall:	Einmal pro Monat

**FIPS 140-3**

Deaktiviert

**TLS:**

TLS 1.2 und TLS 1.3

**TLS-Hash:**

SHA-1, SHA-256 und höher

**Trellix Embedded Control:**

Deaktiviert

**Erweiterungsdienst Einrichtung**

Browser der dritten Generation:	X3G_3.24.23_2.40.5_012_01.00.00
Widget-Version:	v1.3.17 e8 20140613
Widget-Version:	v2.5.04 g9 20240123

# Abrechnungsübersicht

## Systeminformationen

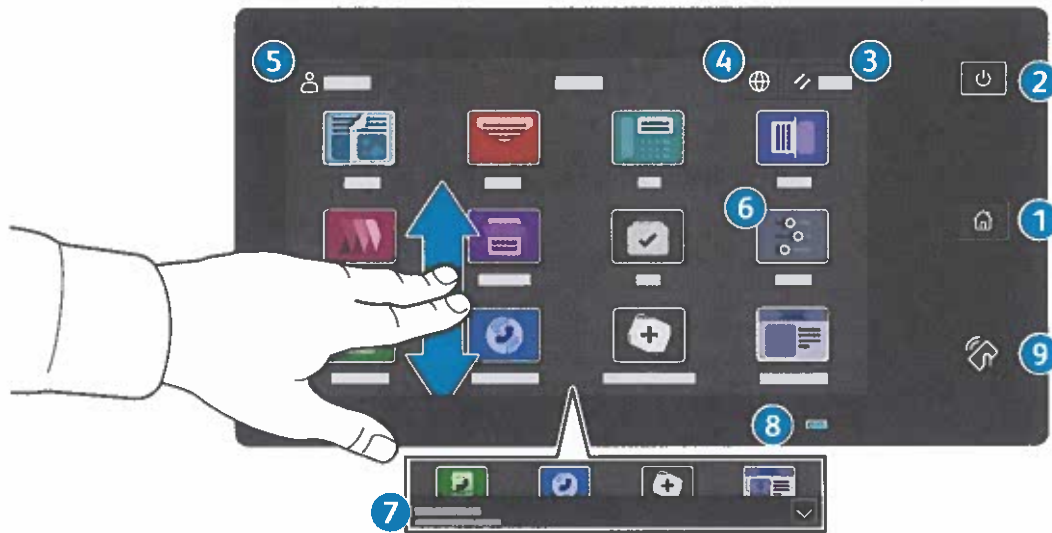
Gerätename:	Xerox VersaLink C625 Color MFP (A7:A...	<b>Softwareversionen</b>	
Geräteseriennummer:	5322480247	Gerätesoftware:	122.024.004.35400
Druckseiten seit Einschalten:	5	Patch-Version:	Kein(e)
		Netzwerkcontroller:	122.024.35400
		Steuerpult-Firmware:	6.2
		Bilderzeugungseinheit:	230.315
		Vorlageneinzug:	230.315
		Finisher:	000.000.000
		Fax:	000.000.000
		Scanner:	230.315

## Zähler

<b>Fax</b>		Normalpapier:	412
Integriertes Fax, gesendete Bilder:	0	Postpapier:	7
Integriertes Fax:	0	Umweltpapier:	8
		Briefkopfpapier:	7
		Hochglanzpapier:	6
<b>Kopieren</b>			
Schwarzweißkopien, Seiten:	338		
Farbkopien, Seiten:	131		
<b>Drucken</b>			
Schwarzweißdrucke, Seiten:	822		
Farbdrucke, Seiten:	807		
<b>Scannen</b>			
Scannen, gesendete Bilder:	101		
Per E-Mail gesendete Seiten:	5		
<b>Summen, Gerät</b>			
Schwarzweißdruckseiten:	1246		
Farbe:	964		
Gesamt:	2210		

# Steuerpult

Welche Apps verfügbar sind, hängt davon ab, wie der Drucker eingerichtet ist. Weitere Informationen über Apps und Funktionen siehe *Benutzerhandbuch*.



- 1 **Startseite** führt zurück zum App-Hauptfenster.
- 2 **Einschalten/Aktivieren** startet den Drucker oder bietet Optionen für Ruhezustand, Neustart oder Ausschalten des Druckers.
- 3 **Zurücksetzen** setzt die Einstellungen in allen Apps auf ihre Standardwerte zurück.
- 4 **Sprache** bietet eine Auswahl von Anzeigesprachen.
- 5 **Anmelden** dient zum Zugriff auf die Verwaltung und bestimmte Einstellungen.
- 6 **Geräte-App** dient zum Zugriff auf Druckerdaten und -einstellungen.
- 7 **Benachrichtigungsbanner** – zeigt den Druckerstatus und den Drucker betreffende Warnungen an. Damit alle Benachrichtigungen angezeigt werden, das Banner antippen. Um das Banner zu schließen, den Abwärtspfeil antippen.
- 8 **Status-LED** – gibt den Druckerstatus an. Ausführliche Informationen enthält das *Benutzerhandbuch*.
- 9 **NFC-Bereich** ermöglicht die Kopplung mit einem Mobilgerät zum Drucken/Scannen aus einer App.

## Geräte-App

Die Geräte-App bietet Zugriff auf Verbrauchsmaterialstatus, Druckerdaten und Einstellungen. Zum Zugriff auf bestimmte Menüs und Einstellungen ist eine Anmeldung als Administrator mit dem entsprechenden Kennwort erforderlich.



## Gebühren- und Nutzungsdaten

Um die wichtigsten Zählerstände aufzurufen, im Menü der Gerätefunktionen **Gebührenzähler/ Nutzung** antippen. Zum Aufrufen detaillierter Nutzungsdaten **Zähler** antippen. Die Liste zeigt genauere Informationen über die gedruckten Seiten nach Kategorie.

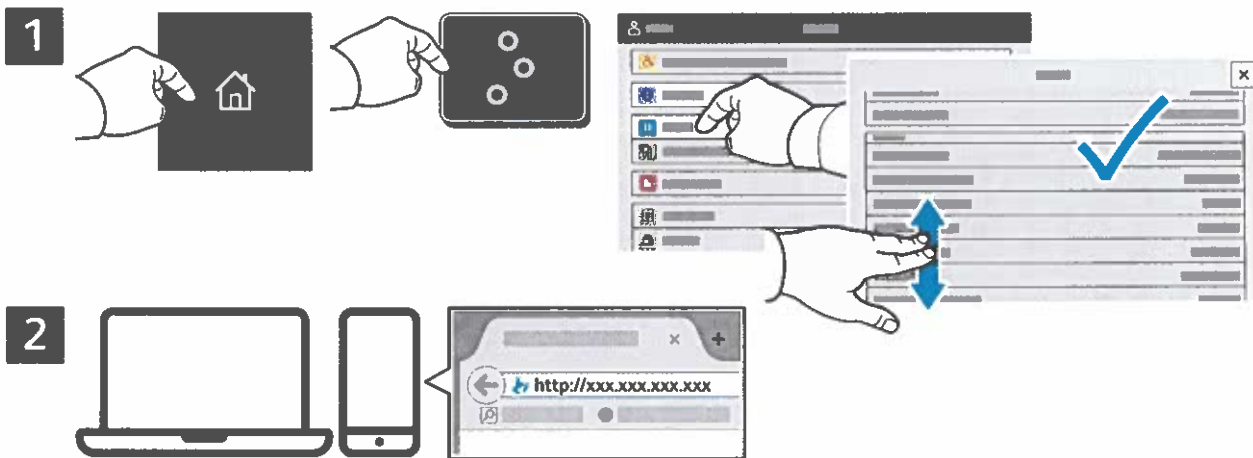


## Integrierter Webserver

Der integrierte Webserver von Xerox® ermöglicht den Zugriff auf Druckerkonfigurationsdetails, Papier- und Verbrauchsmaterialstand, und Auftragsstatus sowie Diagnosefunktionen über ein Netzwerk. Außerdem können Fax- und E-Mail-Betrieb sowie Adressbücher verwaltet werden.

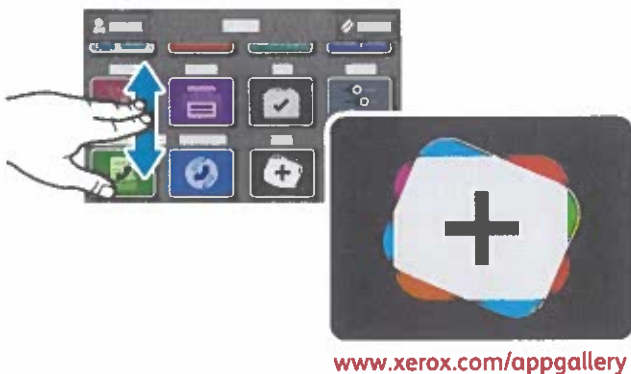
Im Webbrowser die IP-Adresse des Druckers eingeben. Die IPv4-Adresse des Netzwerks ist auf dem Touchscreen des Steuerpults verfügbar. **Geräte-App** > **Info** antippen und nach unten blättern.

Weitere Informationen zum integrierten Webserver siehe *Benutzerhandbuch* auf [Xerox.com](http://Xerox.com).



## App Gallery

Die Xerox App Gallery umfasst eine wachsende Sammlung von Produktivitäts-Apps, die auf dem Drucker installiert werden können. Die App auf der Startseite suchen und eine Anmeldung direkt erstellen oder unter [www.xerox.com/appgallery](http://www.xerox.com/appgallery) anmelden und das Gerät hinzufügen. Zum Vereinfachen der App-Installation für die Anmeldung bei der App Gallery und beim Drucker den gleichen Benutzernamen verwenden.

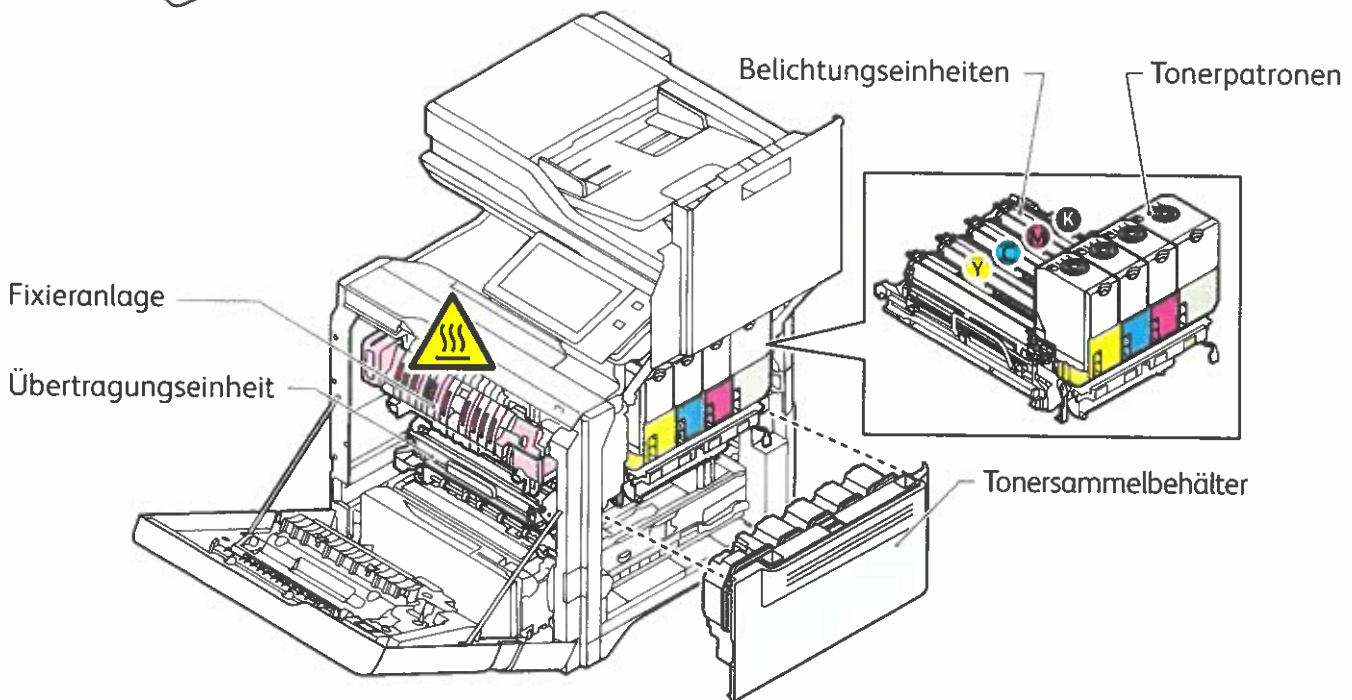
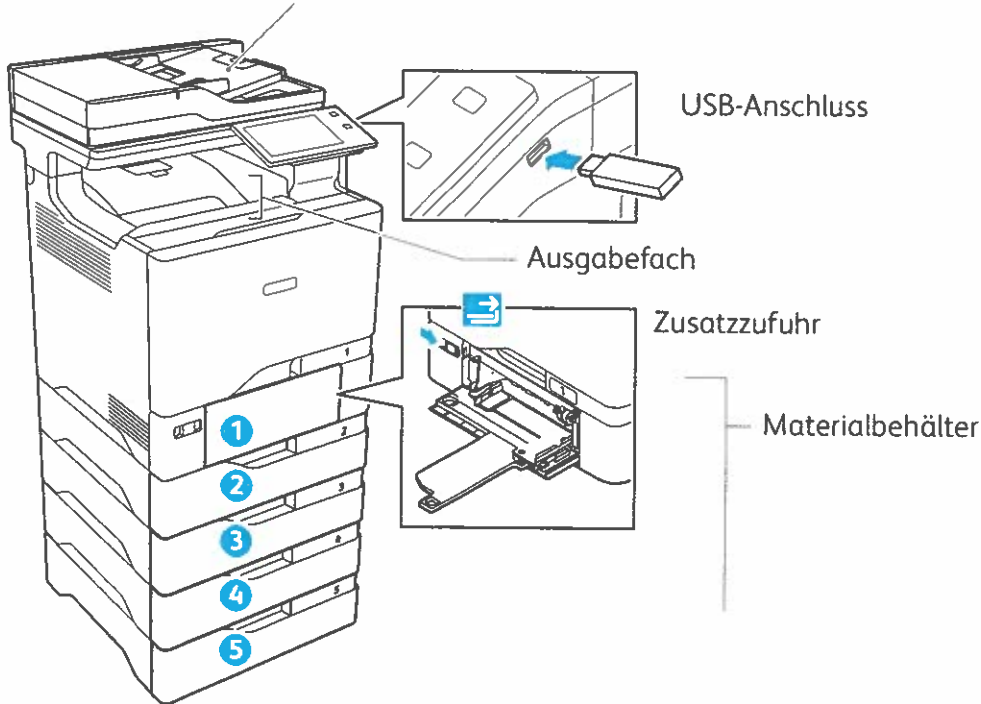


[www.xerox.com/appgallery](http://www.xerox.com/appgallery)

# Der Drucker im Überblick

Manche Drucker sind mit optionalem Zubehör ausgestattet. Weitere Informationen siehe *Benutzerhandbuch*.

Automatischer Duplex-Vorlageneinzug (Single-Pass)



## Materialhandhabung

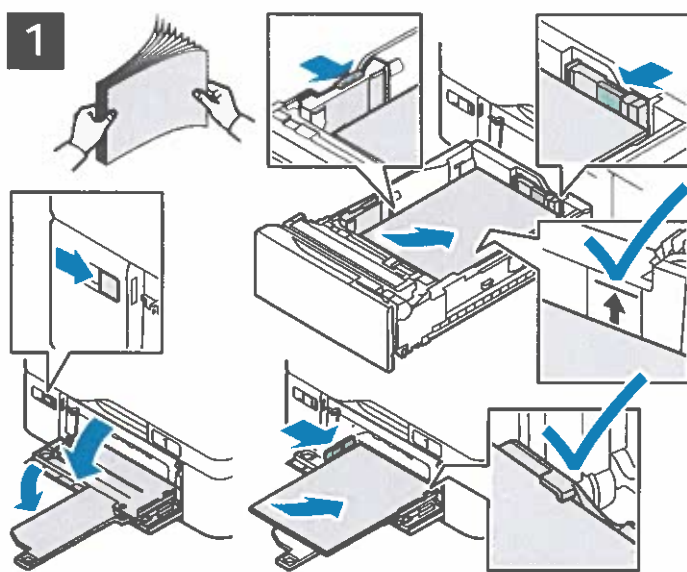
Eine komplette Liste der mit dem Gerät kompatiblen Druckmaterialien ist verfügbar in Form der Recommended Media List (Liste der empfohlenen Medien) unter:

[www.xerox.com/rmlna](http://www.xerox.com/rmlna) (USA und Kanada)

[www.xerox.com/rmleu](http://www.xerox.com/rmleu) (Europa)

Weitere Informationen über Materialbehälter und Druckmaterial siehe *Benutzerhandbuch*.

## Einlegen von Druckmaterial



Um bestmögliche Ergebnisse zu erzielen, das Papier auffächern. Die Führungen auf das Materialformat einstellen. Die Markierung für die maximale Füllhöhe nicht überschreiten.

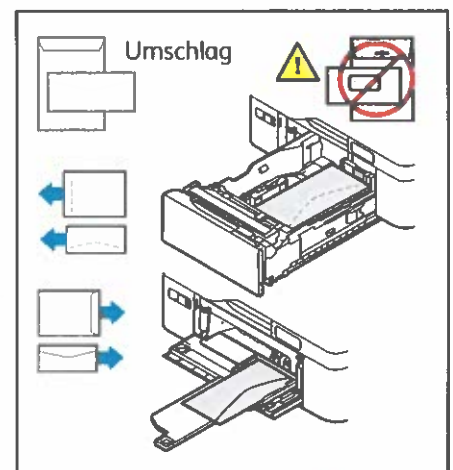
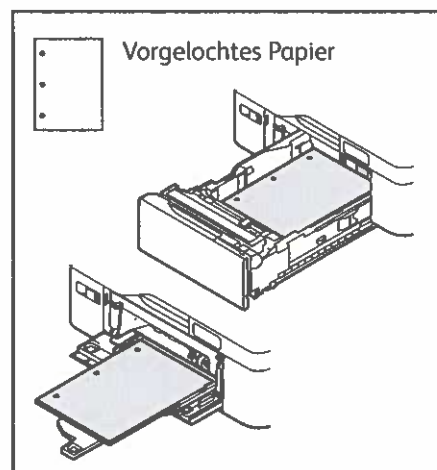
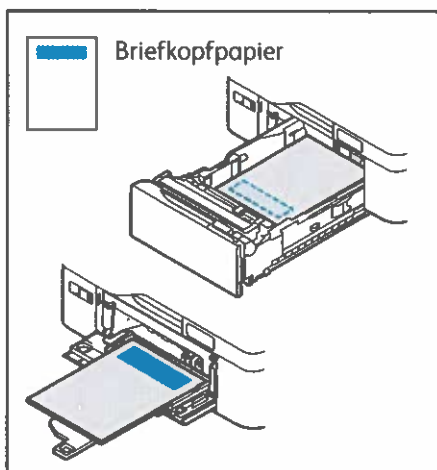


Einstellung von Materialformat, -art und -farbe ggf. bestätigen oder ändern.



Zum Drucken im Druckertreiber die gewünschten Optionen wählen.

## Materialausrichtung



# Kopieren

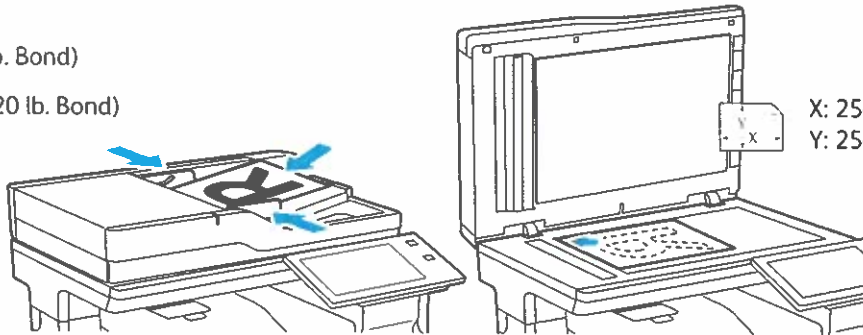
Weitere Informationen siehe *Benutzerhandbuch*.

1

X: 139–356 mm (5,47–14 Zoll)  
Y: 105–216 mm (4,13–8,5 Zoll)

52–120 g/m<sup>2</sup>  
(14 lb. Text–32 lb. Bond)

≤100 (75 g/m<sup>2</sup>, 20 lb. Bond)



X: 25–355,6 mm (.98–14 Zoll)  
Y: 25–215,9 mm (.98–8,5 Zoll)

Die Vorlagen in den Vorlageneinzug oder auf das Vorlagenglas legen.

2

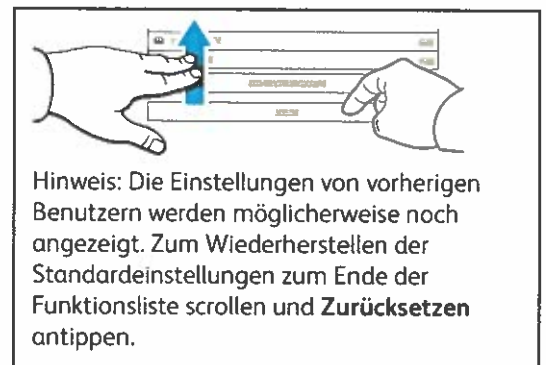


Kopieren antippen und die Auflage auswählen.

3



Die Funktionseinstellungen in der Liste auswählen, dann **Start** antippen.



## Scannen und E-Mail

Ist der Drucker mit einem Netzwerk verbunden, kann am Steuerpult ein Scanziel ausgewählt werden.

Diese Anleitung erläutert die Vorgehensweisen zum Scannen von Dokumenten ohne spezielle Konfiguration:

- Vorlage scannen und Dokument an E-Mail-Adresse senden.
- Vorlage scannen und Dokument an einen als Favorit oder im Adressbuch gespeicherten Empfänger senden oder auf einem USB-Laufwerk speichern.
- Vorlage scannen und Dokument im öffentlichen Standardordner auf dem Drucker speichern, von wo die Scandatei über den Webbrowser abgerufen werden kann.

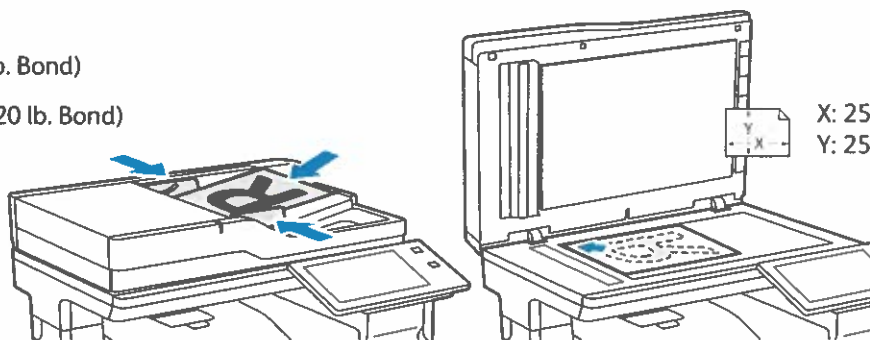
Weitere Informationen über Scaneinstellungen siehe *Benutzerhandbuch*. Weitere Informationen über das Adressbuch und über die Einrichtung von Workflow-Profilen siehe *System Administrator Guide (Systemhandbuch)*.

1

 X: 139–356 mm (5,47–14 Zoll)  
Y: 105–216 mm (4,13–8,5 Zoll)

 52–120 g/m<sup>2</sup>  
(14 lb. Text-32 lb. Bond)

 ≤100 (75 g/m<sup>2</sup>, 20 lb. Bond)



Die Vorlagen in den Vorlageneinzug oder auf das Vorlagenglas legen.

2



Zunächst **Startseite** drücken, dann **E-Mail** antippen, um den Scan per E-Mail zu verschicken. Zum Scannen an den standardmäßigen öffentlichen Ordner oder einen USB-Datenträger **Workflow-Scannen** antippen. Wenn das Scanziel im Adressbuch oder als Favorit gespeichert ist, **Scannen** antippen.

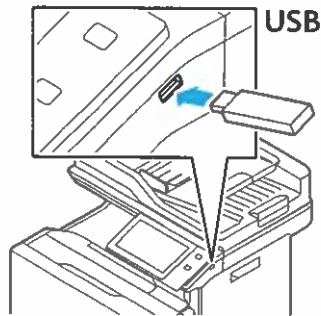
3



Für E-Mail **Manueller Eintrag** antippen, über die angezeigte Tastatur die E-Mail-Adresse eingeben, dann **Hinzufügen** antippen. Um der Liste mehrere Adressen hinzuzufügen, **Empfänger hinzufügen** antippen. Um eine Betreffzeile für die E-Mail einzugeben, **Betreff** antippen. Sollen gespeicherte E-Mail-Adressen verwendet werden, diese aus dem Geräteadressbuch oder aus den Favoriten auswählen.



Zum Workflow-Scannen den **standardmäßigen öffentlichen Ordner** antippen oder den USB-Datenträger einstecken.

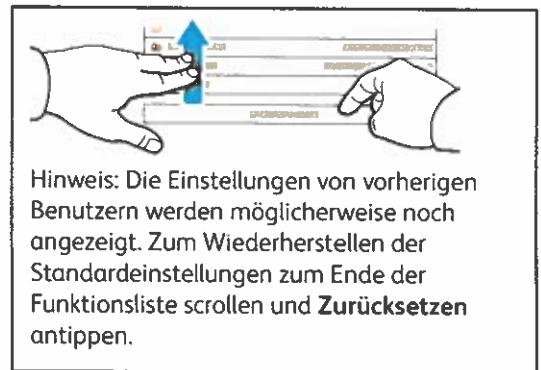


Zur Auswahl der Scanausgabe eine Zielart antippen und die zutreffenden Angaben eintragen. Um mehrere Ziele in die Liste aufzunehmen, **Ziel hinzufügen** antippen.

4



Die Einstellungen nach Bedarf ändern, dann **Scannen** oder für den E-Mail-Versand **Senden** antippen.



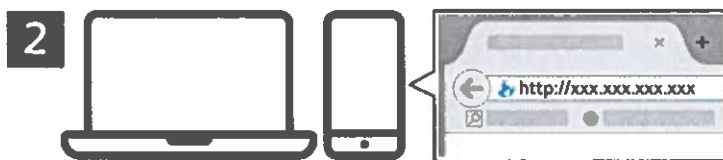
Hinweis: Die Einstellungen von vorherigen Benutzern werden möglicherweise noch angezeigt. Zum Wiederherstellen der Standardeinstellungen zum Ende der Funktionsliste scrollen und **Zurücksetzen** antippen.

# Aufrufen von Scandateien

Um die gescannten Bilder aus dem standardmäßigen öffentlichen Ordner auf den Drucker zu laden, Embedded Web Server verwenden. In Embedded Web Server können persönliche Ordner und Vorlagen für Workflow-Scannen eingerichtet werden. Genauere Einzelheiten enthält das *Benutzerhandbuch*.



Die IP-Adresse des Druckers wird auf dem Touchscreen angezeigt. Wenn die IP-Adresse nicht oben auf dem Touchscreen erscheint, „Startseite“ drücken, **Gerät > Info** antippen, dann scrollen, um die IP-Adresse zu überprüfen.

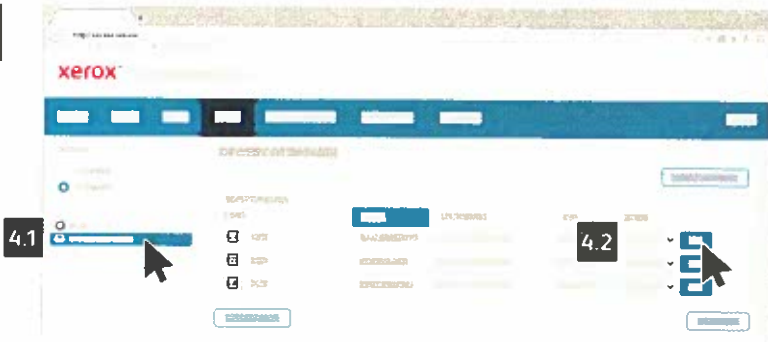


Die IP-Adresse des Druckers in einen Webbrowser eingeben und die **Eingabe-** oder **Return-Taste** drücken.



Die Registerkarte **Scannen** öffnen.

4



Den **standardmäßigen öffentlichen Ordner** auswählen, dann den Scan in der Liste ermitteln. Um den Scan herunterzuladen, auf **Start** klicken.

Zum Aktualisieren der Liste auf **Ansicht aktualisieren** klicken.

Zum Speichern der Datei auf dem Computer **Laden** wählen.  
**Nachdrucken** auswählen, um die gespeicherte Datei erneut zu drucken.  
Zum Löschen des gespeicherten Auftrags **Löschen** wählen.  
Zum Öffnen eines Verzeichnisses **Öffnen** wählen.

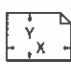
# Faxen


Für den Faxversand stehen vier Möglichkeiten zur Auswahl:

- **Fax:** Das Dokument wird gescannt und direkt an ein Faxgerät gesendet.
- **Serverfax:** Das Dokument wird gescannt und an einen Faxserver gesendet, der die Faxnachricht an ein Faxgerät übermittelt.
- **Internetfax:** Das Dokument wird gescannt und per E-Mail an einen Empfänger gesendet.
- **LAN-Fax:** Der aktuelle Druckauftrag wird als Fax gesendet.

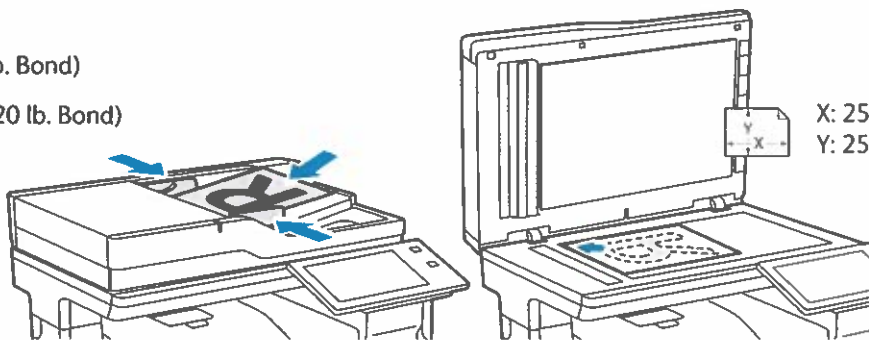
Weitere Informationen siehe *Benutzerhandbuch*. Weitere Informationen über die LAN-Fax-Funktion siehe Druckertreiber-Software. Detailinformationen über die Faxeinrichtung und erweiterte Einstellungen siehe *System Administrator Guide (Systemhandbuch)*.

1

 X: 139–356 mm (5,47–14 Zoll)  
Y: 105–216 mm (4,13–8,5 Zoll)

 52–120 g/m<sup>2</sup>  
(14 lb. Text-32 lb. Bond)

 ≤100 (75 g/m<sup>2</sup>, 20 lb. Bond)



X: 25–355,6 mm (.98–14 Zoll)  
Y: 25–215,9 mm (.98–8,5 Zoll)

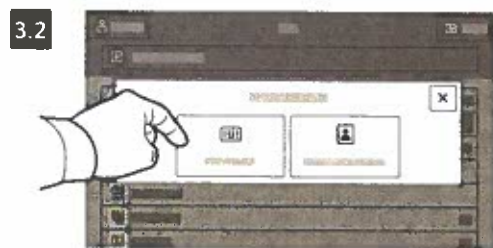
Die Vorlagen in den Vorlageneinzug oder auf das Vorlagenglas legen.

2



Zur Übermittlung an ein Faxgerät **Startseite** drücken, dann **Fax** oder **Serverfax** antippen.

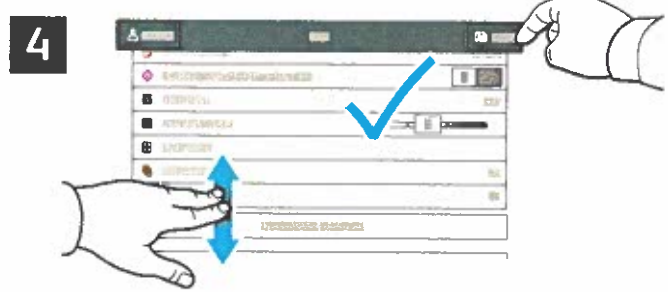
Zum Senden eines Faxes als E-Mail-Anlage **Startseite** drücken und **Internetfax** antippen.



Für Faxnummern **Manueller Eintrag** antippen und die Faxnummer über die Tastatur am Touchscreen eingeben. **Hinzufügen** antippen. Um der Liste weitere Faxnummern hinzuzufügen, **Empfänger hinzufügen** antippen.

Die E-Mail-Adressen für Internetfaxnachrichten können nach Antippen von **Manueller Eintrag** über die Touchscreen-Tastatur eingegeben werden. **Hinzufügen** antippen. Um der Liste weitere E-Mail-Adressen hinzuzufügen, **Empfänger hinzufügen** antippen.

Um gespeicherte Nummern auszuwählen, das Geräteadressbuch oder die Favoriten verwenden. Zum Auswählen von Faxablagebereichen die Mailbox- oder Faxabruf-Funktion verwenden.

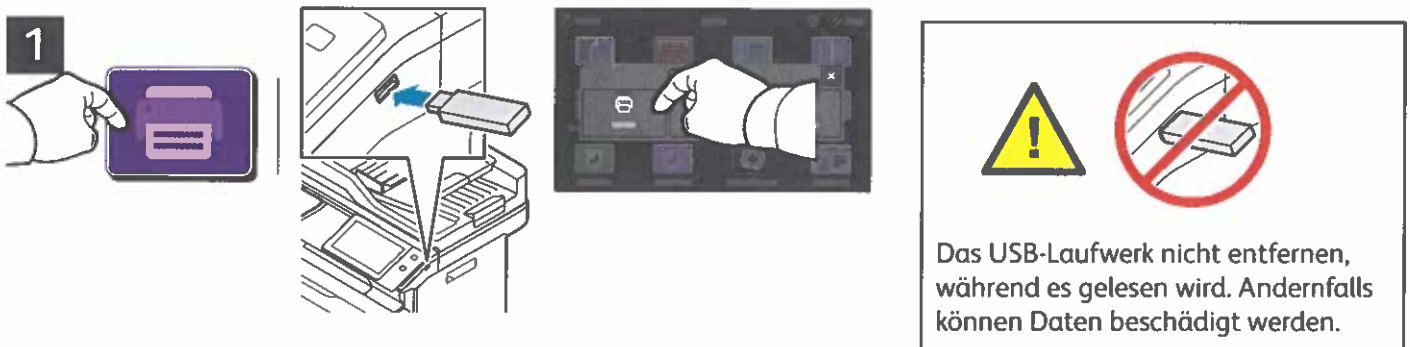


Hinweis: Die Einstellungen von vorherigen Benutzern werden möglicherweise noch angezeigt. Zum Wiederherstellen der Standardeinstellungen zum Ende der Funktionsliste scrollen und **Zurücksetzen** antippen.

Die Einstellungen nach Bedarf ändern und **Senden** antippen.

## Drucken von USB-Datenträger

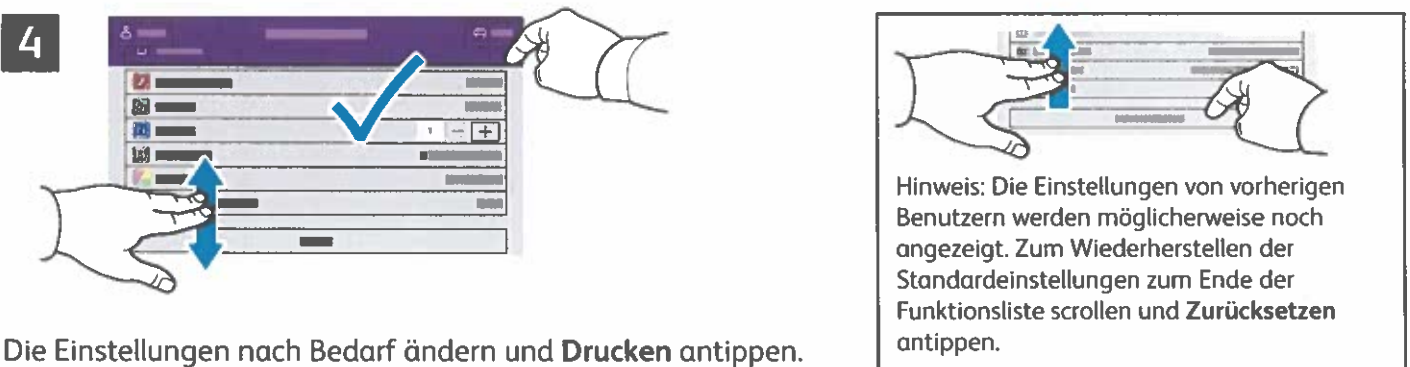
Dateien im PDF-, TIFF-, PS- und XPS-Format können direkt von einem USB-Laufwerk gedruckt werden. Weitere Informationen siehe *Benutzerhandbuch*.



Drucken von antippen oder USB-Datenträger einführen und **USB-Direktdruck** antippen.



**Dokument hinzufügen** antippen, dann die Dateien auswählen.

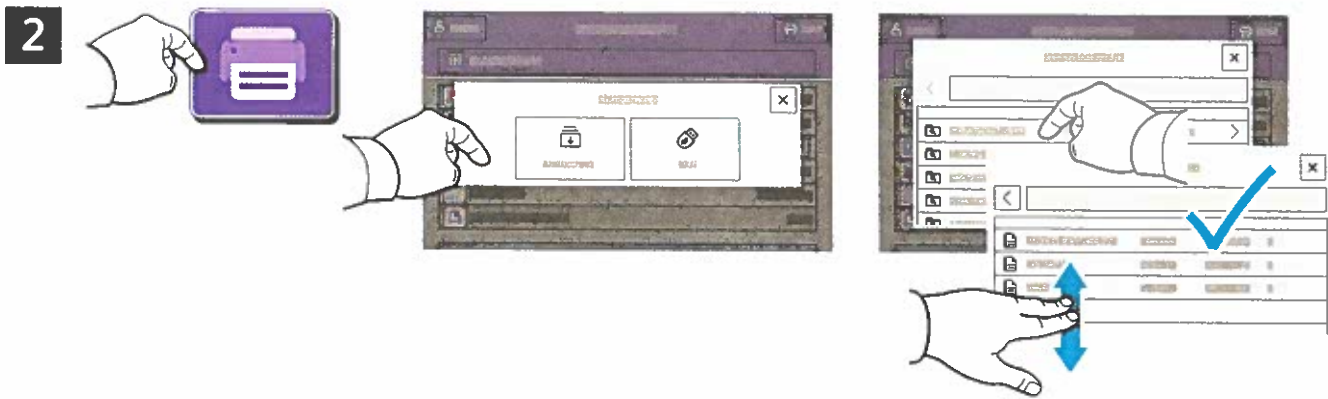


Die Einstellungen nach Bedarf ändern und **Drucken** antippen.

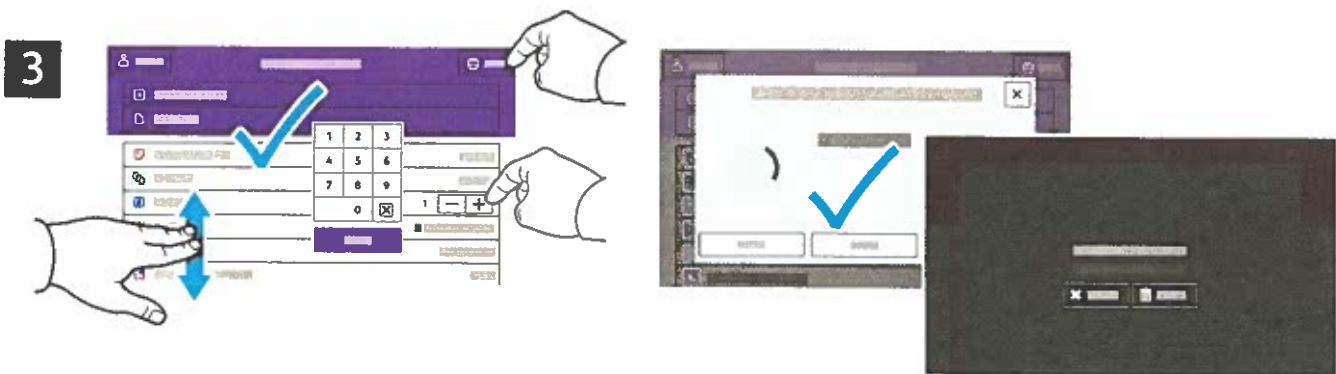
# Drucken gespeicherter Aufträge



Ein Druckauftrag kann auf dem Drucker gespeichert und später am Steuerpult ausgewählt und gedruckt werden. Aufträge können im öffentlichen Ordner gespeichert oder durch ein Kennwort geschützt werden. Im Xerox®-Druckertreiber **Eigenschaften** (Windows) bzw. **Xerox-Funktionen** (Mac OS), und dann **Auftragsart** wählen. **Speicherauftrag** oder **Geschützte Ausgabe** wählen. Für die geschützte Ausgabe ein Kennwort eingeben. Auf **OK** klicken und den Auftrag drucken.



**Drucken von** und dann **Gespeicherte Aufträge** antippen. Den **öffentlichen Standardordner** und dann den Druckauftrag auswählen.



Einstellungen aus der Liste auswählen. Zum Einstellen der Auflage das Pluszeichen (+) oder das Minuszeichen (-) antippen. Bei größeren Auflagen **Auflage** antippen und Zahl eingeben. „Drucken“ antippen. Zum Löschen des Auftrags auf der Druck- und Bestätigungsanzeige **Löschen** wählen.

## Fehlerbehebung bei der Druckqualität

Normalerweise wird mit dem Xerox® VersaLink® C625 stets eine einwandfreie Ausgabequalität erzielt. Sollten Probleme mit der Druck- oder Kopierqualität auftreten, können die Informationen auf diesen Seiten zur Fehlerbehebung herangezogen werden. Ausführliche Online-Supportinformationen siehe [www.xerox.com/office/support](http://www.xerox.com/office/support).

**ACHTUNG:** Schäden, die durch nicht unterstütztes Druckmaterial verursacht wurden, fallen nicht unter die Xerox®-Garantie, den Servicevertrag oder die Total Satisfaction Guarantee (umfassende Garantie). Die Total Satisfaction Guarantee (umfassende Garantie) wird in den USA und in Kanada angeboten. Für die übrigen Länder kann ein anderer Gewährleistungsumfang gelten. Nähere Informationen erteilt der lokale Xerox-Partner.

### Materialart

**ACHTUNG:** Wenn in einen Behälter eine andere Materialart eingelegt wird, muss die Materialeinstellung am Steuerpult entsprechend aktualisiert werden. Wird die Einstellung der Materialart nicht geändert, kann es zu Einbußen bei der Druckqualität und Schäden am Fixiermodul kommen.

Das beste Ergebnis wird mit empfohlenen Druckmaterialien von Xerox® erzielt. Mit Xerox®-Druckmaterialien wird auf dem Xerox® VersaLink® C625 eine optimale Ausgabequalität erzielt. Xerox®-Druckmaterialien können bestellt werden unter: [www.xerox.com/office/supplies](http://www.xerox.com/office/supplies).


Eine umfassende Liste der für den Drucker empfohlenen Druckmaterialien ist zu finden unter:

- Nordamerika: [www.xerox.com/rmlna](http://www.xerox.com/rmlna)
- Europa: [www.xerox.com/rmleu](http://www.xerox.com/rmleu)




### Beheben von Problemen mit der Druckqualität

Die folgenden Tabellen enthalten Lösungen zu speziellen Druckqualitätsproblemen.v

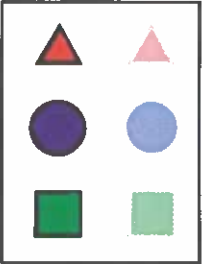
## Beheben von Problemen mit der Druckqualität

Problem	Lösung
<p data-bbox="132 371 408 400"><b>Unvollständige Fixierung</b></p> <p data-bbox="132 409 576 468">Die Ausgabe weist Auslassungen auf und/oder der Toner lässt sich leicht abreiben.</p> 	<ol data-bbox="678 371 1465 689" style="list-style-type: none"><li>1. Sicherstellen, dass das Druckmaterial für den Drucker geeignet ist und ordnungsgemäß eingelegt wurde. Eine umfassende Liste der für den Drucker empfohlenen Druckmaterialien ist zu finden unter:<ul data-bbox="715 510 1157 582" style="list-style-type: none"><li>– Nordamerika: <a href="http://www.xerox.com/rmlna">www.xerox.com/rmlna</a></li><li>– Europa: <a href="http://www.xerox.com/rmleu">www.xerox.com/rmleu</a></li></ul></li><li>2. Überprüfen, ob am Steuerpult und im Druckertreiber das richtige Druckmaterial ausgewählt wurde.</li><li>3. Tritt das Problem weiterhin auf, einen der folgenden Schritte ausführen:</li></ol> <p data-bbox="715 703 1398 790"><b>Hinweis:</b> Anmeldung als Systemadministrator vornehmen, wenn die Einstellung von Format, Art oder Farbe des Materials in einem Festformatbehälter geändert werden soll.</p> <ol data-bbox="715 801 1445 1243" style="list-style-type: none"><li>a. Bei Behältern, die auf „Dediziert“ eingestellt sind:<ul data-bbox="751 846 1445 1061" style="list-style-type: none"><li>• Am Bedienfeld Anmelden antippen. Systemadministrator-Anmeldeinformationen eingeben und <b>Eingabe</b> antippen. Weitere Informationen siehe <i>Systemhandbuch</i>.</li><li>• <b>Gerät &gt; Verwaltung &gt; Geräteeinstellungen &gt; Materialverwaltung &gt; Behältereinstellungen</b> antippen. Den Behälter auswählen, Bearbeiten antippen und die Materialart ändern.</li></ul></li><li>b. Bei Behältern, die auf „Vollständig anpassbar“ eingestellt sind<ul data-bbox="751 1115 1445 1243" style="list-style-type: none"><li>• Materialbehälter: Den ausgewählten Materialbehälter öffnen und wieder schließen.</li><li>• Zusatzzufuhr: Das Druckmaterial entfernen und wieder einlegen.</li></ul></li></ol> <p data-bbox="715 1256 1390 1314">Am Steuerpult wird zum Bestätigen oder Ändern der Materialart aufgefordert.</p> <ul data-bbox="751 1326 1445 1525" style="list-style-type: none"><li>• Am Touchscreen <b>Art</b> antippen und dann einen der folgenden Schritte ausführen:<ul data-bbox="798 1397 1406 1525" style="list-style-type: none"><li>• Richtige Materialart auswählen und dann <b>Bestätigen</b> antippen.</li><li>• Nächstschwerere Materialart auswählen und dann <b>Bestätigen</b> antippen.</li></ul></li></ul> <p data-bbox="715 1538 1445 1597"><b>Hinweis:</b> Die Druckmaterialarten vom leichtesten bis zum schwersten Material sind:</p> <ul data-bbox="751 1608 1430 1736" style="list-style-type: none"><li>• Ungestrichenes Material: Normalpapier, Dünner Karton und Karton.</li><li>• Gestrichenes Material: Dünner Hochglanzkarton und Hochglanzkarton.</li></ul>

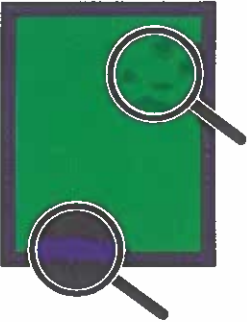

## Beheben von Problemen mit der Druckqualität (Fortsetzung)

Problem	Lösung
<p><b>Wiederholte Fehler</b></p> <p>Die Ausgabe weist in Zufuhrriechung Punkte oder Linien auf, die in regelmäßigen Abständen wiederkehren und bei allen Farben bzw. in unbedruckten Bereichen auftreten.</p>  <p>Die Ausgabe weist in Zufuhrriechung Punkte oder Linien auf, die in regelmäßigen Abständen wiederkehren, aber nur bei einer Farbe auftreten.</p> 	<ol style="list-style-type: none"><li>1. Am Steuerpult <b>Gerät &gt; Verwaltung &gt; Fehlerbehebung &gt; Hilfsseiten &gt; Seite für Wiederholungsfehler &gt; Drucken</b> antippen. Die Seite für Wiederholungsfehler mit Anweisungen zum Ermitteln der defekten Komponente(n) wird ausgegeben.</li><li>2. Zum Beheben des Problems die anhand der Seite für Wiederholungsfehler ermittelten Teile austauschen. </li><li>3. Beim Austausch eines Verbrauchsmaterials den Zähler zurücksetzen:<ol style="list-style-type: none"><li>a. Am Bedienfeld <b>Anmelden</b> antippen. Systemadministrator-Anmeldeinformationen eingeben und <b>Eingabe</b> antippen. Weitere Informationen siehe <i>Systemhandbuch</i>.</li><li>b. <b>Gerät &gt; Verwaltung &gt; Geräteeinstellung</b> antippen.</li><li>c. Bildlauf durchführen und <b>Austauschmodule &gt; Verbrauchsmaterialzähler zurücksetzen</b> antippen.</li><li>d. Das ausgetauschte <b>Verbrauchsmaterial</b> antippen.</li><li>e. <b>Zähler zurücksetzen</b> antippen.</li><li>f. Zum Schließen des Popupfensters das <b>X</b>, dann <b>admin</b> antippen und <b>Abmelden</b> auswählen.</li></ol></li></ol>


## Beheben von Problemen mit der Druckqualität (Fortsetzung)

Problem	Lösung
<p><b>Versetztes Bild</b></p> <p>Der am häufigsten vorkommende Versatzfehler besteht darin, dass ein Druckbild im Abstand von 95 mm (3,75 Zoll) in Zufuhrrichtung wiederholt wird, so dass es ggf. zu einer Überlagerung kommt.</p> <p><b>Hinweis:</b> Bei anderen Abständen die Ursache anhand der Seite für Wiederholungsfehler ermitteln.</p> 	<ol style="list-style-type: none"> <li>Prüfen, ob das Druckmaterial für den Drucker geeignet ist und ordnungsgemäß eingelegt wurde. Eine umfassende Liste der für den Drucker empfohlenen Druckmaterialien ist zu finden unter: <ul style="list-style-type: none"> <li>Nordamerika: <a href="http://www.xerox.com/rmlna">www.xerox.com/rmlna</a></li> <li>Europa: <a href="http://www.xerox.com/rmleu">www.xerox.com/rmleu</a></li> </ul> </li> <li>Überprüfen, ob am Steuerpult und im Druckertreiber das richtige Druckmaterial ausgewählt wurde. <b>Hinweis:</b> Anmeldung als Systemadministrator vornehmen, wenn die Einstellung von Format, Art oder Farbe des Materials in einem Festformatbehälter geändert werden soll.</li> <li>Tritt das Problem weiterhin auf, einen der folgenden Schritte ausführen: <b>Hinweis:</b> Anmeldung als Systemadministrator vornehmen, wenn die Einstellung von Format, Art oder Farbe des Materials in einem Festformatbehälter geändert werden soll. <ol style="list-style-type: none"> <li>Bei Behältern, die auf „Dediziert“ eingestellt sind: <ul style="list-style-type: none"> <li>Am Bedienfeld Anmelden antippen. Systemadministrator-Anmeldeinformationen eingeben und <b>Eingabe</b> antippen. Weitere Informationen siehe <i>Systemhandbuch</i>.</li> <li><b>Gerät &gt; Verwaltung &gt; Geräteeinstellungen &gt; Materialverwaltung &gt; Behältereinstellungen</b> antippen. Den Behälter auswählen, Bearbeiten antippen und die Materialart ändern.</li> </ul> </li> <li>Bei Behältern, die auf „Vollständig anpassbar“ eingestellt sind <ul style="list-style-type: none"> <li>Materialbehälter: Den ausgewählten Materialbehälter öffnen und wieder schließen.</li> <li>Zusatzzufuhr: Das Druckmaterial entfernen und wieder einlegen.</li> </ul> </li> </ol> <p>Am Steuerpult wird zum Bestätigen oder Ändern der Materialart aufgefordert.</p> <ul style="list-style-type: none"> <li>Am Touchscreen <b>Art</b> antippen und dann einen der folgenden Schritte ausführen: <ul style="list-style-type: none"> <li>Richtige Materialart auswählen und dann <b>Bestätigen</b> antippen.</li> <li>Nächstschwerere Materialart auswählen und dann <b>Bestätigen</b> antippen.</li> </ul> </li> </ul> <p><b>Hinweis:</b> Die Druckmaterialarten vom leichtesten bis zum schwersten Material sind:</p> <ul style="list-style-type: none"> <li>Ungestrichenes Material: Normalpapier, Dünner Karton und Karton.</li> <li>Gestrichenes Material: Dünner Hochglanzkarton und Hochglanzkarton.</li> </ul> </li> <li>Gestrichenes Material: Dünner Hochglanzkarton und Hochglanzkarton. Ursache mithilfe der Seite für Wiederholungsfehler ermitteln. Weitere Informationen siehe vorige Seite.</li> </ol>

## Beheben von Problemen mit der Druckqualität (Fortsetzung)

Problem	Lösung
<p><b>Fleckige Ausgabe bei hoher Tonerdichte</b> Schwarztöne erscheinen blau</p> 	<ol style="list-style-type: none"><li>1. Sicherstellen, dass das Druckmaterial für den Drucker geeignet ist und ordnungsgemäß eingelegt wurde. Eine umfassende Liste der für den Drucker empfohlenen Druckmaterialien ist zu finden unter:<ul style="list-style-type: none"><li>– Nordamerika: <a href="http://www.xerox.com/rmlna">www.xerox.com/rmlna</a></li><li>– Europa: <a href="http://www.xerox.com/rmleu">www.xerox.com/rmleu</a></li></ul></li><li>2. Überprüfen, ob am Steuerpult und im Druckertreiber das richtige Druckmaterial ausgewählt wurde.</li></ol> <p><b>Hinweis:</b> Tritt das Problem weiterhin auf, Service anfordern.</p>
<p><b>Falsche Farbausrichtung</b> Es treten Farbverschiebungen bzw. -überlagerungen auf.</p> 	<p>Vordere Abdeckung öffnen und wieder schließen. Mit dem nächsten Druckauftrag wird automatisch eine Kalibrierung zur Ausrichtung der Farben durchgeführt.</p> <p><b>Hinweis:</b> Tritt das Problem weiterhin auf, Service anfordern.</p>
<p><b>Alle Farben zu hell oder zu dunkel</b> Farben erscheinen blass oder zu dunkel auf dem Druck oder der Kopie.</p>	<ol style="list-style-type: none"><li>1. Sicherstellen, dass das Druckmaterial für den Drucker geeignet ist und ordnungsgemäß eingelegt wurde. Eine umfassende Liste der für den Drucker empfohlenen Druckmaterialien ist zu finden unter:<ul style="list-style-type: none"><li>– Nordamerika: <a href="http://www.xerox.com/rmlna">www.xerox.com/rmlna</a></li><li>– Europa: <a href="http://www.xerox.com/rmleu">www.xerox.com/rmleu</a></li></ul></li><li>2. Überprüfen, ob am Steuerpult und im Druckertreiber das richtige Druckmaterial ausgewählt wurde.</li></ol> <p><b>Hinweis:</b> Tritt das Problem weiterhin auf, im <i>Benutzerhandbuch</i> nachschlagen oder Service anfordern.</p>

## Beheben von Problemen mit der Druckqualität (Fortsetzung)

Problem	Lösung
<p><b>Striche, verschmierte Stellen oder Streifen</b> Die Ausgabe weist dunkle oder helle Stellen auf (alle Farben bzw. nicht bedruckte Bereiche).</p> 	<ol style="list-style-type: none"> <li>1. Sicherstellen, dass das Druckmaterial für den Drucker geeignet ist und ordnungsgemäß eingelegt wurde. Eine umfassende Liste der für den Drucker empfohlenen Druckmaterialien ist zu finden unter: <ul style="list-style-type: none"> <li>– Nordamerika: <a href="http://www.xerox.com/rmlna">www.xerox.com/rmlna</a></li> <li>– Europa: <a href="http://www.xerox.com/rmleu">www.xerox.com/rmleu</a></li> </ul> </li> <li>2. Überprüfen, ob am Steuerpult und im Druckertreiber das richtige Druckmaterial ausgewählt wurde.</li> <li>3. Zur Ermittlung der Ursache die zusammen mit der Seite zur Fehlerbehebung bei Druckqualitätsproblemen ausgegebene Wiederholungsfehlerseite konsultieren. Am Bedienfeld <b>Gerät &gt; Verwaltung &gt; Fehlerbehebung &gt; Supportseiten &gt; Wiederholungsfehlerseite &gt; Drucken</b> antippen.</li> <li>4. Zur Behebung des Problems die auf der Wiederholungsfehlerseite genannten Teile austauschen.</li> </ol>
<p><b>Farben variieren von Computer zu Computer</b> Bei der Dokumentausgabe von unterschiedlichen Computern stimmen die Farben nicht überein.</p>	<ol style="list-style-type: none"> <li>1. Sicherstellen, dass die Treibereinstellungen für Druckqualität, Farbkorrektur und „Farbe nach Wörtern“ auf beiden Computern identisch sind.</li> <li>2. Ggf. die Einstellungen anpassen. <b>Hinweis:</b> Die Einstellungen im Druckertreiber haben Vorrang vor den am Steuerpult des Druckers vorgenommenen Einstellungen.</li> </ol>
<p><b>Farben stimmen nicht überein</b> Die ausgegebene Farbe entspricht nicht der Zielfarbe.</p>	<p>Weitere Informationen über die Farbabstimmung siehe Online-Support-Assistent unter <a href="http://www.xerox.com/office/support">www.xerox.com/office/support</a>.</p>
<p><b>Farben auf der Ausgabe stimmen nicht mit den Farben am Bildschirm überein</b> Die ausgegebene Farbe entspricht nicht der am Computerbildschirm angezeigten Farbe.</p>	<p>Informationen zur Farbabstimmung zwischen Bildschirm und gedrucktem Dokument siehe Online-Support-Assistent unter: <a href="http://www.xerox.com/office/support">www.xerox.com/office/support</a>.</p>

## Einstellungen für die Druckqualität

Der Druckqualitätsmodus und die Farbkorrekturoptionen haben direkten Einfluss auf die Druckqualität. Diese Einstellungen können im Druckertreiber geändert werden. Die für den Druckauftrag am besten geeignete Einstellung wählen.

### Druckqualitätsmodus

- **Optimiert:** Dies ist der Allzweckmodus für frische, leuchtende Farbdrucke. Der Modus „Optimiert“ sorgt für ein ausgewogenes Verhältnis zwischen Geschwindigkeit und Qualität.
- **Hohe Auflösung:** Dieser Modus sorgt für hohe Qualität mit feiner Linien- und Detailzeichnung. Der Modus „Hohe Auflösung“ wird für kräftige, satte Farbdrucke empfohlen. Beim Modus „Hohe Auflösung“ hat Qualität Vorrang vor der Geschwindigkeit.
- **Tonersparbetrieb:** In diesem für Entwurfsdrucke geeigneten Modus wird der Tonerverbrauch reduziert. Die Druckqualität ist etwas geringer als beim Standardmodus.

### Farbkorrektur

Die Farbkorrektur ist auf der Registerkarte „Bildqualität“ im Druckertreiber verfügbar. Das Vorschauenfenster befindet sich rechts auf der Registerkarte „Bildqualität“. Wenn das Kontrollkästchen „Vorschau“ aktiviert ist, wird die Farbkorrektur im Vorschauenfenster angezeigt. Das korrigierte Bild kann mit dem nicht korrigierten Bild verglichen werden, indem die Vorschauoption wechselweise aktiviert und deaktiviert wird.

Zum Anpassen der Farben eines Druckauftrags die Registerkarte „Farbkorrektur“ und dann die gewünschten Optionen auswählen.

- **Xerox-Schwarzweißumwandlung** konvertiert die Farben in Graustufen. Die Ausgabe erfolgt in Schwarzweiß. Diese Einstellung eignet sich zum Erstellen von Schwarzweißvorlagen zum Kopieren oder Übermitteln per Fax.
- **Farbkorrektur** bietet Optionen zur möglichst genauen Abstimmung der Druckerfarben auf die von anderen Geräten produzierten im Farben, zum Beispiel von einem Computerbildschirm oder einem bestimmten Drucksystem.
  - **Automatisch** wendet auf jedes Grafikelement des Dokuments die optimale Farbkorrektur an: Text, Grafiken und Fotos.
  - **LCD-Anzeige simulieren** nähert die Farbe des Druckauftrags an die Farben eines LCD-Computermonitors an.
  - **sRGB-Anzeige simulieren** nähert die Farbe des Druckauftrags an die Farben einer RGB-Anzeige (Rot, Grün, Blau) an.
  - **Aus:** Farbkorrektur deaktiviert. Diese Einstellung ist die beste Wahl, wenn die Farbe in der Anwendung oder im Betriebssystem spezifiziert wurde.
- **Xerox-Autofarbe** wendet auf jedes grafische Element (Text, Grafiken, Fotos) die optimale Farbkorrektur an.
- **Benutzerdefinierte automatische Farbe** stellt zusätzliche Optionen zum Anpassen der Farben im Druckauftrag bereit. Eine der Einstellungen zum Anpassen der Farbe von Text und Grafiken auswählen. Die andere Einstellung zum Anpassen der auf die Bilder angewendeten Farbkorrektur verwenden. Auf jedes Element können viele verschiedene Farboptionen angewendet werden, um die Ausgabe verschiedener Farbgeräte zu simulieren.

Zum Anpassen von Farben mit beschreibenden Ausdrücken die Registerkarte **Farbe nach Wörtern** auswählen. Aus den Menüs die Wörter für den Satz auswählen, der die gewünschte Farbanpassung beschreibt. Es können mehrere Sätze auf einen Druckauftrag angewendet werden. Die Korrektur kann für eine einzelne Farbe oder ein gesamtes Farbspektrum durchgeführt werden.

Zum Ändern der Einstellungen einzelner Farbparameter die Registerkarte **Farbanpassung** auswählen und die Schieberegler anpassen. Mithilfe der Skalen kann für jedes nachstehend aufgeführte Element ein durchgängiger Bereich mit Anpassungen ausgewählt werden:

- Helligkeit
- Kontrast
- Sättigung
- Cyan in Rot
- Magenta in Grün
- Gelb in Blau

Weitere Informationen zu Farbanpassung und ICC-Profilen siehe [www.xerox.com/office/support](http://www.xerox.com/office/support).

# Verbrauchsmaterialnutzung

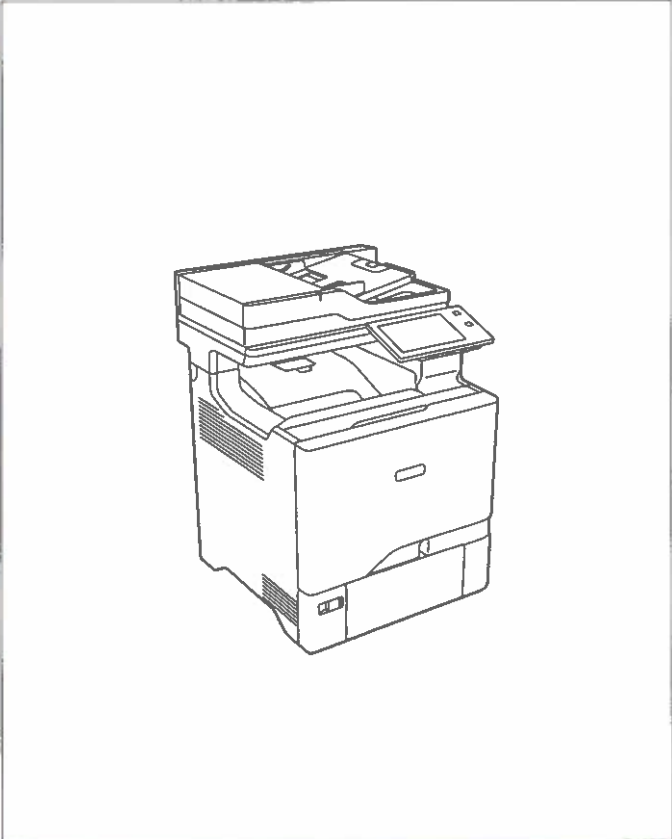
Informationen zu Verbrauchsmaterial sind zu finden unter [www.xerox.com/office/supplies](http://www.xerox.com/office/supplies)

## Verbrauchsmaterialien

### Tonerkartuschen



<p><b>Schwarz</b></p> <p>Installationsdatum: Feb 6, 2024                  Nachbestellung: 00                  Verbleibende Seiten geschätzt: 14500                  (Basiert auf durchschnittlicher Deckung mit dieser Tonerkartusche: 2%)</p>	<p>Reststandzeit</p> <p>100% 50% 0%</p>
<p><b>Cyan</b></p> <p>Installationsdatum: Jan 8, 2024                  Nachbestellung: 00                  Verbleibende Seiten geschätzt: 16000                  (Basiert auf durchschnittlicher Deckung mit dieser Tonerkartusche: 0%)</p>	<p>Reststandzeit</p> <p>100% 50% 0%</p>
<p><b>Magenta</b></p> <p>Installationsdatum: Nov 28, 2024                  Nachbestellung: 00                  Verbleibende Seiten geschätzt: 16000                  (Basiert auf durchschnittlicher Deckung mit dieser Tonerkartusche: 0%)</p>	<p>Reststandzeit</p> <p>100% 50% 0%</p>
<p><b>Gelb</b></p> <p>Installationsdatum: Jul 24, 2024                  Nachbestellung: 00                  Verbleibende Seiten geschätzt: 16000                  (Basiert auf durchschnittlicher Deckung mit dieser Tonerkartusche: 0%)</p>	<p>Reststandzeit</p> <p>100% 50% 0%</p>



## Austauschmodule

### Belichtungseinheiten



<p><b>Imaging-Einheit Schwarz</b></p> <p>Installationsdatum: Feb 6, 2024                  Nachbestellung: 4                  Verbleibende Seiten geschätzt: 150000                  (Basiert auf der durchschnittlichen Druckerauftragsgröße: 1 Seiten)</p>	<p>Reststandzeit</p> <p>100% 50% 0%</p>
<p><b>Imaging-Einheit Farbe</b></p> <p>Installationsdatum: Feb 6, 2024                  Nachbestellung: 4                  Verbleibende Seiten geschätzt: 150000                  (Basiert auf der durchschnittlichen Druckerauftragsgröße: 1 Seiten)</p>	<p>Reststandzeit</p> <p>100% 50% 0%</p>

### Abfallbehälter



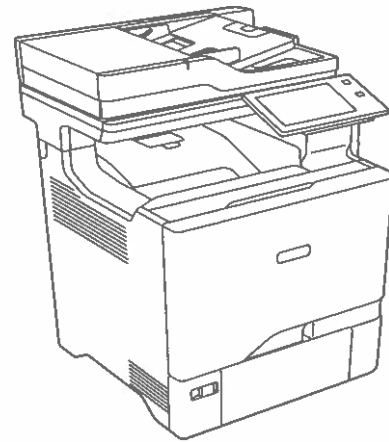
Installationsdatum: Dec 6, 2024  
 Nachbestellung: 008

OK





# Xerox® VersaLink® C625 Color Multifunction Printer

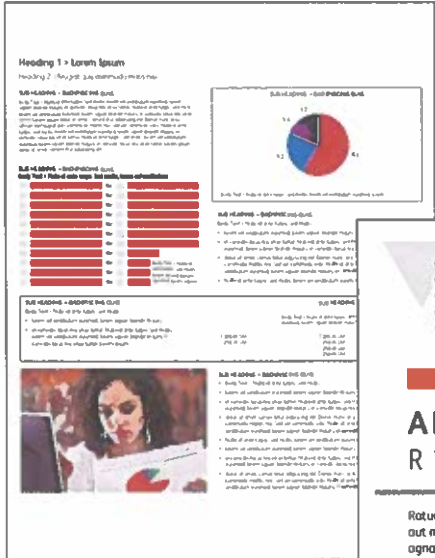
Powerful performance. Personalized productivity.

The VersaLink® C625 Color Multifunction Printer provides exceptional performance and unbeatable reliability. Cloud-connected, mobile-ready, app-enabled, and easy to customize, the C625 is your modern workplace assistant — transforming the way you work today, while ensuring you can keep up with the needs of tomorrow.



PRINT, COPY, SCAN, FAX, CLOUD

-  52 ppm Letter  
50 ppm A4
-  Solutions
-  Cloud connectivity
-  Single pass  
Two-sided scanning
-  1200 x 1200 dpi
-  Up to 2,850 pages
-  Optional: 4 additional  
paper trays



## Residente Schriftarten

Position	Schriftname	Muster
1	Courier «Esc»(Symbol set«Esc»(s0p«pitch»h0s0b4099T	'ABCDEFGHabcdefgh0123456789&?!.,'
2	CG Times «Esc»(Symbol set«Esc»(s1p«size»v0s0b4101T	'ABCDEFGHabcdefgh0123456789&?!.,'
3	CG Times Bold «Esc»(Symbol set«Esc»(s1p«size»v0s3b4101T	'ABCDEFGHabcdefgh0123456789&?!.,'
4	CG Times Italic «Esc»(Symbol set«Esc»(s1p«size»v1s0b4101T	'ABCDEFGHabcdefgh0123456789&?!.,'
5	CG Times Bold Italic «Esc»(Symbol set«Esc»(s1p«size»v1s3b4101T	'ABCDEFGHabcdefgh0123456789&?!.,'
6	CG Omega «Esc»(Symbol set«Esc»(s1p«size»v0s0b4113T	'ABCDEFGHabcdefgh0123456789&?!.,'
7	CG Omega Bold «Esc»(Symbol set«Esc»(s1p«size»v0s3b4113T	'ABCDEFGHabcdefgh0123456789&?!.,'
8	CG Omega Italic «Esc»(Symbol set«Esc»(s1p«size»v1s0b4113T	'ABCDEFGHabcdefgh0123456789&?!.,'
9	CG Omega Bold Italic «Esc»(Symbol set«Esc»(s1p«size»v1s3b4113T	'ABCDEFGHabcdefgh0123456789&?!.,'
10	Coronet «Esc»(Symbol set«Esc»(s1p«size»v1s0b4116T	'ABCDEFGHabcdefgh0123456789&?!.,'
11	Clarendon Condensed «Esc»(Symbol set«Esc»(s1p«size»v4s3b4140T	'ABCDEFGHabcdefgh0123456789&?!.,'
12	Univers Medium «Esc»(Symbol set«Esc»(s1p«size»v0s0b4148T	'ABCDEFGHabcdefgh0123456789&?!.,'
13	Univers Bold «Esc»(Symbol set«Esc»(s1p«size»v0s3b4148T	'ABCDEFGHabcdefgh0123456789&?!.,'
14	Univers Medium Italic «Esc»(Symbol set«Esc»(s1p«size»v1s0b4148T	'ABCDEFGHabcdefgh0123456789&?!.,'
15	Univers Bold Italic «Esc»(Symbol set«Esc»(s1p«size»v1s3b4148T	'ABCDEFGHabcdefgh0123456789&?!.,'
16	Univers Medium Condensed «Esc»(Symbol set«Esc»(s1p«size»v4s0b4148T	'ABCDEFGHabcdefgh0123456789&?!.,'
17	Univers Bold Condensed «Esc»(Symbol set«Esc»(s1p«size»v4s3b4148T	'ABCDEFGHabcdefgh0123456789&?!.,'
18	Univers Medium Condensed Italic «Esc»(Symbol set«Esc»(s1p«size»v5s0b4148T	'ABCDEFGHabcdefgh0123456789&?!.,'

## Residente Schriftarten

Position	Schriftname	Muster
19	Univers Bold Condensed Italic «Esc»(Symbol set«Esc»(s1p«size»v5s3b4148T	' <i>ABCDEFGabcdefg0123456789&amp;?!.,'</i>
20	Antique Olive «Esc»(Symbol set«Esc»(s1p«size»v0s0b4168T	'ABCDEFGabcdefg0123456789&?!.,'
21	Antique Olive Bold «Esc»(Symbol set«Esc»(s1p«size»v0s3b4168T	' <b>ABCDEFGabcdefg0123456789&amp;?!.,'</b>
22	Antique Olive Italic «Esc»(Symbol set«Esc»(s1p«size»v1s0b4168T	' <i>ABCDEFGabcdefg0123456789&amp;?!.,'</i>
23	Garamond Antiqua «Esc»(Symbol set«Esc»(s1p«size»v0s0b4197T	'ABCDEFGabcdefg0123456789&?!.,'
24	Garamond Halbfett «Esc»(Symbol set«Esc»(s1p«size»v0s3b4197T	'ABCDEFGabcdefg0123456789&?!.,'
25	Garamond Kursiv «Esc»(Symbol set«Esc»(s1p«size»v1s0b4197T	' <i>ABCDEFGabcdefg0123456789&amp;?!.,'</i>
26	Garamond Kursiv Halbfett «Esc»(Symbol set«Esc»(s1p«size»v1s3b4197T	' <i>ABCDEFGabcdefg0123456789&amp;?!.,'</i>
27	Marigold «Esc»(Symbol set«Esc»(s1p«size»v0s0b4297T	'ABCDEFGabcdefg0123456789&?!.,'
28	Albertus Medium «Esc»(Symbol set«Esc»(s1p«size»v0s1b4362T	'ABCDEFGabcdefg0123456789&?!.,'
29	Albertus Extra Bold «Esc»(Symbol set«Esc»(s1p«size»v0s4b4362T	' <b>ABCDEFGabcdefg0123456789&amp;?!.,'</b>
30	Ryadh «Esc»(Symbol set«Esc»(s1p«size»v0s0b4859T	ABCDEFGabcdefg0123456789&?!.,'
31	Ryadh Bold «Esc»(Symbol set«Esc»(s1p«size»v0s3b4859T	ABCDEFGabcdefg0123456789&?!.,'
32	Malka «Esc»(Symbol set«Esc»(s1p«size»v0s0b16584T	ABCDEFGabcdefg0123456789&?!.,'
33	Malka Bold «Esc»(Symbol set«Esc»(s1p«size»v0s3b16584T	ABCDEFGabcdefg0123456789&?!.,'
34	Malka Italic «Esc»(Symbol set«Esc»(s1p«size»v1s0b16584T	<i>ABCDEFGabcdefg0123456789&amp;?!.,'</i>
35	Dorit «Esc»(Symbol set«Esc»(s1p«size»v0s0b16585T	ABCDEFGabcdefg0123456789&?!.,'
36	Dorit Bold «Esc»(Symbol set«Esc»(s1p«size»v0s3b16585T	ABCDEFGabcdefg0123456789&?!.,'

## Residente Schriftarten

Position	Schriftname	Muster
37	Naamit «Esc»(Symbol set«Esc»(s1p«size»v0s0b16587T	ABCDEFGGabcdefg0123456789&?!.,'
38	Naamit Bold «Esc»(Symbol set«Esc»(s1p«size»v0s3b16587T	<b>ABCDEFGGabcdefg0123456789&amp;?!.,'</b>
39	Arial «Esc»(Symbol set«Esc»(s1p«size»v0s0b16602T	'ABCDEFGGabcdefg0123456789&?!.,'
40	Arial Bold «Esc»(Symbol set«Esc»(s1p«size»v0s3b16602T	<b>'ABCDEFGGabcdefg0123456789&amp;?!.,'</b>
41	Arial Italic «Esc»(Symbol set«Esc»(s1p«size»v1s0b16602T	' <i>ABCDEFGGabcdefg0123456789&amp;?!.,'</i>
42	Arial Bold Italic «Esc»(Symbol set«Esc»(s1p«size»v1s3b16602T	<b>'<i>ABCDEFGGabcdefg0123456789&amp;?!.,'</i></b>
43	Times New Roman «Esc»(Symbol set«Esc»(s1p«size»v0s0b16901T	'ABCDEFGGabcdefg0123456789&?!.,'
44	Times New Roman Bold «Esc»(Symbol set«Esc»(s1p«size»v0s3b16901T	<b>'ABCDEFGGabcdefg0123456789&amp;?!.,'</b>
45	Times New Roman Italic «Esc»(Symbol set«Esc»(s1p«size»v1s0b16901T	' <i>ABCDEFGGabcdefg0123456789&amp;?!.,'</i>
46	Times New Roman Bold Italic «Esc»(Symbol set«Esc»(s1p«size»v1s3b16901T	<b>'<i>ABCDEFGGabcdefg0123456789&amp;?!.,'</i></b>
47	Helvetica «Esc»(Symbol set«Esc»(s1p«size»v0s0b24580T	'ABCDEFGGabcdefg0123456789&?!.,'
48	Helvetica Bold «Esc»(Symbol set«Esc»(s1p«size»v0s3b24580T	<b>'ABCDEFGGabcdefg0123456789&amp;?!.,'</b>
49	Helvetica Oblique «Esc»(Symbol set«Esc»(s1p«size»v1s0b24580T	' <i>ABCDEFGGabcdefg0123456789&amp;?!.,'</i>
50	Helvetica Bold Oblique «Esc»(Symbol set«Esc»(s1p«size»v1s3b24580T	<b>'<i>ABCDEFGGabcdefg0123456789&amp;?!.,'</i></b>
51	Helvetica Narrow «Esc»(Symbol set«Esc»(s1p«size»v4s0b24580T	'ABCDEFGGabcdefg0123456789&?!.,'
52	Helvetica Narrow Bold «Esc»(Symbol set«Esc»(s1p«size»v4s3b24580T	<b>'ABCDEFGGabcdefg0123456789&amp;?!.,'</b>
53	Helvetica Narrow Oblique «Esc»(Symbol set«Esc»(s1p«size»v5s0b24580T	' <i>ABCDEFGGabcdefg0123456789&amp;?!.,'</i>
54	Helvetica Narrow Bold Oblique «Esc»(Symbol set«Esc»(s1p«size»v5s3b24580T	<b>'<i>ABCDEFGGabcdefg0123456789&amp;?!.,'</i></b>

## Residente Schriftarten

Position	Schriftname	Muster
55	Palatino Roman «Esc»(Symbol set«Esc»(s1p«size»v0s0b24591T	'ABCDEFGHabcdefgh0123456789&?!.,'
56	Palatino Bold «Esc»(Symbol set«Esc»(s1p«size»v0s3b24591T	'ABCDEFGHabcdefgh0123456789&?!.,'
57	Palatino Italic «Esc»(Symbol set«Esc»(s1p«size»v1s0b24591T	'ABCDEFGHabcdefgh0123456789&?!.,'
58	Palatino Bold Italic «Esc»(Symbol set«Esc»(s1p«size»v1s3b24591T	'ABCDEFGHabcdefgh0123456789&?!.,'
59	ITC Avant Garde Book «Esc»(Symbol set«Esc»(s1p«size»v0s0b24607T	'ABCDEFGHabcdefgh0123456789&?!.,'
60	ITC Avant Garde DemiBold «Esc»(Symbol set«Esc»(s1p«size»v0s2b24607T	'ABCDEFGHabcdefgh0123456789&?!.,'
61	ITC Avant Garde Book Oblique «Esc»(Symbol set«Esc»(s1p«size»v1s0b24607T	'ABCDEFGHabcdefgh0123456789&?!.,'
62	ITC Avant Garde DemiBold Oblique «Esc»(Symbol set«Esc»(s1p«size»v1s2b24607T	'ABCDEFGHabcdefgh0123456789&?!.,'
63	ITC Bookman Light «Esc»(Symbol set«Esc»(s1p«size»v0s-3b24623T	'ABCDEFGHabcdefgh0123456789&?!.,'
64	ITC Bookman DemiBold «Esc»(Symbol set«Esc»(s1p«size»v0s2b24623T	'ABCDEFGHabcdefgh0123456789&?!.,'
65	ITC Bookman Light Italic «Esc»(Symbol set«Esc»(s1p«size»v1s-3b24623T	'ABCDEFGHabcdefgh0123456789&?!.,'
66	ITC Bookman DemiBold Italic «Esc»(Symbol set«Esc»(s1p«size»v1s2b24623T	'ABCDEFGHabcdefgh0123456789&?!.,'
67	New Century Schoolbook Roman «Esc»(Symbol set«Esc»(s1p«size»v0s0b24703T	'ABCDEFGHabcdefgh0123456789&?!.,'
68	New Century Schoolbook Bold «Esc»(Symbol set«Esc»(s1p«size»v0s3b24703T	'ABCDEFGHabcdefgh0123456789&?!.,'
69	New Century Schoolbook Italic «Esc»(Symbol set«Esc»(s1p«size»v1s0b24703T	'ABCDEFGHabcdefgh0123456789&?!.,'
70	New Century Schoolbook Bold Ital «Esc»(Symbol set«Esc»(s1p«size»v1s3b24703T	'ABCDEFGHabcdefgh0123456789&?!.,'
71	Times Roman «Esc»(Symbol set«Esc»(s1p«size»v0s0b25093T	'ABCDEFGHabcdefgh0123456789&?!.,'
72	Times Roman Bold «Esc»(Symbol set«Esc»(s1p«size»v0s3b25093T	'ABCDEFGHabcdefgh0123456789&?!.,'

Residente Schriftarten

Position	Schriftname	Muster
73	Times Roman Italic «Esc»(Symbol set«Esc»(s1p«size»v1s0b25093T	'ABCDEF <i>G</i> abcde <i>f</i> g0123456789&?!.,'
74	Times Bold Italic «Esc»(Symbol set«Esc»(s1p«size»v1s3b25093T	'ABCDEF <i><b>G</b></i> abcde <i><b>f</b></i> g0123456789&?!.,'
75	Zapf Chancery Medium Italic «Esc»(Symbol set«Esc»(s1p«size»v1s0b45099T	'ABCDEF <i>G</i> abcde <i>f</i> g0123456789&?!.,'
76	Symbol «Esc»(19M«Esc»(s1p«size»v0s0b16686T	(αβχδεφγηηφκλμνοπθ ρστυωξψζθς)
77	Symbol PS «Esc»(19M«Esc»(s1p«size»v0s0b45358T	(αβχδεφγηηφκλμνοπθ ρστυωξψζθς)
78	Wingdings «Esc»(579L«Esc»(s1p«size»v0s0b31402T	⌘ ▲ ⬆ ⬇ ✓ ☑ ☒ ☓ ☔ ☕ ☖ ☗ ☘ ☙ ☚ ☛ ☜ ☝ ☞ ☟ ☠ ☡ ☢ ☣ ☤ ☥ ☦ ☧ ☨ ☩ ☪ ☫ ☬ ☭ ☮ ☯ ☰ ☱ ☲ ☳ ☴ ☵ ☶ ☷ ☸ ☹ ☺ ☻ ☼ ☽ ☾ ☿ ♂ ♀ ♁ ♂ ♃ ♄ ♅ ♆ ♇ ♈ ♉ ♊ ♋ ♌ ♍ ♎ ♏ ♐ ♑ ♒ ♓ ♔ ♕ ♖ ♗ ♘ ♙ ♚ ♛ ♜ ♝ ♞ ♟ ♠ ♡ ♢ ♣ ♤ ♥ ♦ ♧ ♨ ♩ ♪ ♫ ♬ ♭ ♮ ♯ ♰ ♱ ♲ ♳ ♴ ♵ ♶ ♷ ♸ ♹ ♺ ♻ ♼ ♽ ♾ ♿
79	Zapf Dingbats «Esc»(14L«Esc»(s1p«size»v0s0b45101T	⊛ ⊜ ⊝ ⊞ ⊟ ⊠ ⊡ ⊢ ⊣ ⊤ ⊥ ⊦ ⊧ ⊨ ⊩ ⊪ ⊫ ⊬ ⊭ ⊮ ⊯ ⊰ ⊱ ⊲ ⊳ ⊴ ⊵ ⊶ ⊷ ⊸ ⊹ ⊺ ⊻ ⊼ ⊽ ⊾ ⊿
80	Courier Bold «Esc»(Symbol set«Esc»(s0p«pitch»h0s3b4099T	'ABCDEF <i><b>G</b></i> abcde <i><b>f</b></i> g0123456789&?!.,'
81	Courier Italic «Esc»(Symbol set«Esc»(s0p«pitch»h1s0b4099T	'ABCDEF <i>G</i> abcde <i>f</i> g0123456789&?!.,'
82	Courier Bold Italic «Esc»(Symbol set«Esc»(s0p«pitch»h1s3b4099T	'ABCDEF <i><b>G</b></i> abcde <i><b>f</b></i> g0123456789&?!.,'
83	Letter Gothic «Esc»(Symbol set«Esc»(s0p«pitch»h0s0b4102T	'ABCDEF <i>G</i> abcde <i>f</i> g0123456789&?!.,'
84	Letter Gothic Bold «Esc»(Symbol set«Esc»(s0p«pitch»h0s3b4102T	'ABCDEF <i><b>G</b></i> abcde <i><b>f</b></i> g0123456789&?!.,'
85	Letter Gothic Italic «Esc»(Symbol set«Esc»(s0p«pitch»h1s0b4102T	'ABCDEF <i>G</i> abcde <i>f</i> g0123456789&?!.,'
86	Naskh «Esc»(Symbol set«Esc»(s0p«pitch»h0s0b4124T	ABCDEF <i>G</i> abcde <i>f</i> g0123456789&?!.,'
87	Naskh Bold «Esc»(Symbol set«Esc»(s0p«pitch»h0s3b4124T	ABCDEF <i><b>G</b></i> abcde <i><b>f</b></i> g0123456789&?!.,'
88	Koufi «Esc»(Symbol set«Esc»(s0p«pitch»h0s0b4264T	ABCDEF <i>G</i> abcde <i>f</i> g0123456789&?!.,'
89	Koufi Bold «Esc»(Symbol set«Esc»(s0p«pitch»h0s3b4264T	ABCDEF <i><b>G</b></i> abcde <i><b>f</b></i> g0123456789&?!.,'
90	Courier PS «Esc»(Symbol set«Esc»(s0p«pitch»h0s0b24579T	'ABCDEF <i>G</i> abcde <i>f</i> g0123456789&?!.,'

## Residente Schriftarten

Position	Schriftname	Muster
91	Courier PS Bold «Esc»(Symbol set«Esc»(s0p«pitch»h0s3b24579T	' <b>ABCDEFGGabcdefg0123456789&amp;?!.,'</b>
92	Courier PS Oblique «Esc»(Symbol set«Esc»(s0p«pitch»h1s0b24579T	' <i>ABCDEFGGabcdefg0123456789&amp;?!.,'</i>
93	Courier PS Bold Oblique «Esc»(Symbol set«Esc»(s0p«pitch»h1s3b24579T	' <b><i>ABCDEFGGabcdefg0123456789&amp;?!.,'</i></b>
93	Line Printer «Esc»(8U«Esc»(s0p16.67h8.48v0s0b0T	' <b>ABCDEFGGabcdefg0123456789&amp;?!.,'</b>

# PostScript-Schriftartenliste

## Interne Schriftarten:

AlbertusMT	ABCDEFGH abcdefg 0123456789 &?!\$.,€
AlbertusMT-Italic	<i>ABCDEFGH abcdefg 0123456789 &amp;?!\$.,€</i>
AlbertusMT-Light	ABCDEFGH abcdefg 0123456789 &?!\$.,€
AntiqueOlive-Bold	<b>ABCDEFGH abcdefg 0123456789 &amp;?!\$.,€</b>
AntiqueOlive-Compact	<b>ABCDEFGH abcdefg 0123456789 &amp;?!\$.,€</b>
AntiqueOlive-Italic	<i>ABCDEFGH abcdefg 0123456789 &amp;?!\$.,€</i>
AntiqueOlive-Roman	ABCDEFGH abcdefg 0123456789 &?!\$.,€
Apple-Chancery	<i>ABCDEFGH abcdefg 0123456789 &amp;?!\$.,€</i>
Arial-BoldItalicMT	<b><i>ABCDEFGH abcdefg 0123456789 &amp;?!\$.,€</i></b>
Arial-BoldMT	<b>ABCDEFGH abcdefg 0123456789 &amp;?!\$.,€</b>
Arial-ItalicMT	<i>ABCDEFGH abcdefg 0123456789 &amp;?!\$.,€</i>
ArialMT	ABCDEFGH abcdefg 0123456789 &?!\$.,€
AvantGarde-Book	ABCDEFGH abcdefg 0123456789 &?!\$.,€
AvantGarde-BookOblique	<i>ABCDEFGH abcdefg 0123456789 &amp;?!\$.,€</i>
AvantGarde-Demi	<b>ABCDEFGH abcdefg 0123456789 &amp;?!\$.,€</b>
AvantGarde-DemiOblique	<b><i>ABCDEFGH abcdefg 0123456789 &amp;?!\$.,€</i></b>
Bodoni	ABCDEFGH abcdefg 0123456789 &?!\$.,€
Bodoni-Bold	<b>ABCDEFGH abcdefg 0123456789 &amp;?!\$.,€</b>
Bodoni-BoldItalic	<b><i>ABCDEFGH abcdefg 0123456789 &amp;?!\$.,€</i></b>
Bodoni-Italic	<i>ABCDEFGH abcdefg 0123456789 &amp;?!\$.,€</i>
Bodoni-Poster	<b>ABCDEFGH abcdefg 0123456789 &amp;?!\$.,€</b>
Bodoni-PosterCompressed	<b>ABCDEFGH abcdefg 0123456789 &amp;?!\$.,€</b>
Bookman-Demi	<b>ABCDEFGH abcdefg 0123456789 &amp;?!\$.,€</b>
Bookman-DemiItalic	<b><i>ABCDEFGH abcdefg 0123456789 &amp;?!\$.,€</i></b>
Bookman-Light	ABCDEFGH abcdefg 0123456789 &?!\$.,€
Bookman-LightItalic	<i>ABCDEFGH abcdefg 0123456789 &amp;?!\$.,€</i>
Carta	*!@#%&'()*+,-./:;<=>?@ABCD EFGHIJKL MNOPQRSTUVWXYZ
Chicago	<b>ABCDEFGH abcdefg 0123456789 &amp;?!\$.,€</b>
Clarendon	ABCDEFGH abcdefg 0123456789 &?!\$.,€
Clarendon-Bold	<b>ABCDEFGH abcdefg 0123456789 &amp;?!\$.,€</b>
Clarendon-Light	ABCDEFGH abcdefg 0123456789 &?!\$.,€
CooperBlack	<b>ABCDEFGH abcdefg 0123456789 &amp;?!\$.,€</b>
CooperBlack-Italic	<b><i>ABCDEFGH abcdefg 0123456789 &amp;?!\$.,€</i></b>
Copperplate-ThirtyThreeBC	<b>ABCDEFGH ABCDEFG 0123456789 &amp;?!\$.,€</b>
Copperplate-ThirtyTwoBC	ABCDEFGH ABCDEFG 0123456789 &?!\$.,€
Coronet-Regular	<i>ABCDEFGH abcdefg 0123456789 &amp;?!\$.,€</i>
Courier	ABCDEFGH abcdefg 0123456789 &?!\$.,€
Courier-Bold	<b>ABCDEFGH abcdefg 0123456789 &amp;?!\$.,€</b>
Courier-BoldOblique	<b><i>ABCDEFGH abcdefg 0123456789 &amp;?!\$.,€</i></b>
Courier-Oblique	<i>ABCDEFGH abcdefg 0123456789 &amp;?!\$.,€</i>
Eurostile	ABCDEFGH abcdefg 0123456789 &?!\$.,€
Eurostile-Bold	<b>ABCDEFGH abcdefg 0123456789 &amp;?!\$.,€</b>
Eurostile-BoldExtendedTwo	<b>ABCDEFGH abcdefg 0123456789 &amp;?!\$.,€</b>
Eurostile-ExtendedTwo	ABCDEFGH abcdefg 0123456789 &?!\$.,€
Geneva	ABCDEFGH abcdefg 0123456789 &?!\$.,€
GillSans	ABCDEFGH abcdefg 0123456789 &?!\$.,€
GillSans-Bold	<b>ABCDEFGH abcdefg 0123456789 &amp;?!\$.,€</b>
GillSans-BoldCondensed	<b>ABCDEFGH abcdefg 0123456789 &amp;?!\$.,€</b>
GillSans-BoldItalic	<b><i>ABCDEFGH abcdefg 0123456789 &amp;?!\$.,€</i></b>
GillSans-Condensed	ABCDEFGH abcdefg 0123456789 &?!\$.,€
GillSans-ExtraBold	<b>ABCDEFGH abcdefg 0123456789 &amp;?!\$.,€</b>
GillSans-Italic	<i>ABCDEFGH abcdefg 0123456789 &amp;?!\$.,€</i>
GillSans-Light	ABCDEFGH abcdefg 0123456789 &?!\$.,€
GillSans-LightItalic	<i>ABCDEFGH abcdefg 0123456789 &amp;?!\$.,€</i>
Goudy	ABCDEFGH abcdefg 0123456789 &?!\$.,€
Goudy-Bold	<b>ABCDEFGH abcdefg 0123456789 &amp;?!\$.,€</b>
Goudy-BoldItalic	<b><i>ABCDEFGH abcdefg 0123456789 &amp;?!\$.,€</i></b>
Goudy-ExtraBold	<b>ABCDEFGH abcdefg 0123456789 &amp;?!\$.,€</b>
Goudy-Italic	<i>ABCDEFGH abcdefg 0123456789 &amp;?!\$.,€</i>
GreekMono737	ABCDEFGH abcdefg 0123456789 &?!\$.,€
GreekMono737-Bold	<b>ABCDEFGH abcdefg 0123456789 &amp;?!\$.,€</b>
GreekMono737-BoldItalic	<b><i>ABCDEFGH abcdefg 0123456789 &amp;?!\$.,€</i></b>
GreekMono737-Italic	<i>ABCDEFGH abcdefg 0123456789 &amp;?!\$.,€</i>
GreekMono851	ABCDEFGH abcdefg 0123456789 &?!\$.,€
GreekMono851-Bold	<b>ABCDEFGH abcdefg 0123456789 &amp;?!\$.,€</b>
GreekMono851-BoldItalic	<b><i>ABCDEFGH abcdefg 0123456789 &amp;?!\$.,€</i></b>
GreekMono851-Italic	<i>ABCDEFGH abcdefg 0123456789 &amp;?!\$.,€</i>
GreekMono8859-7	ABCDEFGH abcdefg 0123456789 &?!\$.,€
GreekMono8859-7Bold	<b>ABCDEFGH abcdefg 0123456789 &amp;?!\$.,€</b>

# PostScript-Schriftartenliste

## Interne Schriftarten (Fortsetzung):

GreekMono8859-7BoldItalic	<b>ABCDEFG abcdefg 0123456789 &amp;?!\$.,</b>
GreekMono8859-7Italic	<i>ABCDEFG abcdefg 0123456789 &amp;?!\$.,</i>
GreekSans737	ABCDEFG abcdefg 0123456789 &?!\$.,
GreekSans737-Bold	<b>ABCDEFG abcdefg 0123456789 &amp;?!\$.,</b>
GreekSans737-BoldItalic	<b><i>ABCDEFG abcdefg 0123456789 &amp;?!\$.,</i></b>
GreekSans737-Italic	<i>ABCDEFG abcdefg 0123456789 &amp;?!\$.,</i>
GreekSans851	ABCDEFG abcdefg 0123456789 &?!\$.,
GreekSans851-Bold	<b>ABCDEFG abcdefg 0123456789 &amp;?!\$.,</b>
GreekSans851-BoldItalic	<b><i>ABCDEFG abcdefg 0123456789 &amp;?!\$.,</i></b>
GreekSans851-Italic	<i>ABCDEFG abcdefg 0123456789 &amp;?!\$.,</i>
GreekSans8859-7	ABCDEFG abcdefg 0123456789 &?!\$.,
GreekSans8859-7Bold	<b>ABCDEFG abcdefg 0123456789 &amp;?!\$.,</b>
GreekSans8859-7BoldItalic	<b><i>ABCDEFG abcdefg 0123456789 &amp;?!\$.,</i></b>
GreekSans8859-7Italic	<i>ABCDEFG abcdefg 0123456789 &amp;?!\$.,</i>
GreekSerif737	ABCDEFG abcdefg 0123456789 &?!\$.,
GreekSerif737-Bold	<b>ABCDEFG abcdefg 0123456789 &amp;?!\$.,</b>
GreekSerif737-BoldItalic	<b><i>ABCDEFG abcdefg 0123456789 &amp;?!\$.,</i></b>
GreekSerif737-Italic	<i>ABCDEFG abcdefg 0123456789 &amp;?!\$.,</i>
GreekSerif851	ABCDEFG abcdefg 0123456789 &?!\$.,
GreekSerif851-Bold	<b>ABCDEFG abcdefg 0123456789 &amp;?!\$.,</b>
GreekSerif851-BoldItalic	<b><i>ABCDEFG abcdefg 0123456789 &amp;?!\$.,</i></b>
GreekSerif851-Italic	<i>ABCDEFG abcdefg 0123456789 &amp;?!\$.,</i>
GreekSerif8859-7	ABCDEFG abcdefg 0123456789 &?!\$.,
GreekSerif8859-7Bold	<b>ABCDEFG abcdefg 0123456789 &amp;?!\$.,</b>
GreekSerif8859-7BoldItalic	<b><i>ABCDEFG abcdefg 0123456789 &amp;?!\$.,</i></b>
GreekSerif8859-7Italic	<i>ABCDEFG abcdefg 0123456789 &amp;?!\$.,</i>
Helvetica	ABCDEFG abcdefg 0123456789 &?!\$.,€
Helvetica-Bold	<b>ABCDEFG abcdefg 0123456789 &amp;?!\$.,€</b>
Helvetica-BoldOblique	<b><i>ABCDEFG abcdefg 0123456789 &amp;?!\$.,€</i></b>
Helvetica-Condensed	ABCDEFG abcdefg 0123456789 &?!\$.,€
Helvetica-Condensed-Bold	<b>ABCDEFG abcdefg 0123456789 &amp;?!\$.,€</b>
Helvetica-Condensed-BoldObl	<b><i>ABCDEFG abcdefg 0123456789 &amp;?!\$.,€</i></b>
Helvetica-Condensed-Oblique	<i>ABCDEFG abcdefg 0123456789 &amp;?!\$.,€</i>
Helvetica-Narrow	ABCDEFG abcdefg 0123456789 &?!\$.,€
Helvetica-Narrow-Bold	<b>ABCDEFG abcdefg 0123456789 &amp;?!\$.,€</b>
Helvetica-Narrow-BoldOblique	<b><i>ABCDEFG abcdefg 0123456789 &amp;?!\$.,€</i></b>
Helvetica-Narrow-Oblique	<i>ABCDEFG abcdefg 0123456789 &amp;?!\$.,€</i>
Helvetica-Oblique	<i>ABCDEFG abcdefg 0123456789 &amp;?!\$.,€</i>
HoeflerText-Black	<b>ABCDEFG abcdefg 0123456789 &amp;?!\$.,€</b>
HoeflerText-BlackItalic	<b><i>ABCDEFG abcdefg 0123456789 &amp;?!\$.,€</i></b>
HoeflerText-Italic	<i>ABCDEFG abcdefg 0123456789 &amp;?!\$.,€</i>
HoeflerText-Ornaments	ABCDEFG abcdefg 0123456789 &?!\$.,€
HoeflerText-Regular	ABCDEFG abcdefg 0123456789 &?!\$.,€
JoannaMT	ABCDEFG abcdefg 0123456789 &?!\$.,€
JoannaMT-Bold	<b>ABCDEFG abcdefg 0123456789 &amp;?!\$.,€</b>
JoannaMT-BoldItalic	<b><i>ABCDEFG abcdefg 0123456789 &amp;?!\$.,€</i></b>
JoannaMT-Italic	<i>ABCDEFG abcdefg 0123456789 &amp;?!\$.,€</i>
LetterGothic	ABCDEFG abcdefg 0123456789 &?!\$.,€
LetterGothic-Bold	<b>ABCDEFG abcdefg 0123456789 &amp;?!\$.,€</b>
LetterGothic-BoldSlanted	<b><i>ABCDEFG abcdefg 0123456789 &amp;?!\$.,€</i></b>
LetterGothic-Slanted	<i>ABCDEFG abcdefg 0123456789 &amp;?!\$.,€</i>
LubalinGraph-Book	ABCDEFG abcdefg 0123456789 &?!\$.,€
LubalinGraph-BookOblique	<i>ABCDEFG abcdefg 0123456789 &amp;?!\$.,€</i>
LubalinGraph-Demi	<b>ABCDEFG abcdefg 0123456789 &amp;?!\$.,€</b>
LubalinGraph-DemiOblique	<b><i>ABCDEFG abcdefg 0123456789 &amp;?!\$.,€</i></b>
Marigold	ABCDEFG abcdefg 0123456789 &?!\$.,€
Monalisa-Recut	ABCDEFG abcdefg 0123456789 &?!\$.,€
Monaco	ABCDEFG abcdefg 0123456789 &?!\$.,€
NewCenturySchlbk-Bold	<b>ABCDEFG abcdefg 0123456789 &amp;?!\$.,€</b>
NewCenturySchlbk-BoldItalic	<b><i>ABCDEFG abcdefg 0123456789 &amp;?!\$.,€</i></b>
NewCenturySchlbk-Italic	<i>ABCDEFG abcdefg 0123456789 &amp;?!\$.,€</i>
NewCenturySchlbk-Roman	ABCDEFG abcdefg 0123456789 &?!\$.,€
NewYork	ABCDEFG abcdefg 0123456789 &?!\$.,€
Optima	ABCDEFG abcdefg 0123456789 &?!\$.,€
Optima-Bold	<b>ABCDEFG abcdefg 0123456789 &amp;?!\$.,€</b>
Optima-BoldItalic	<b><i>ABCDEFG abcdefg 0123456789 &amp;?!\$.,€</i></b>
Optima-Italic	<i>ABCDEFG abcdefg 0123456789 &amp;?!\$.,€</i>
Oxford	ABCDEFG abcdefg 0123456789 &?!\$.,€
Palatino-Bold	<b>ABCDEFG abcdefg 0123456789 &amp;?!\$.,€</b>



## Uobičajeni korisnički podaci

Naziv uređaja:	Xerox VersaLink C625 Color MFP (A7:A...
IP adresa:	10.61.12.186
Serijski broj uređaja:	5322480247
Linija faksa 1:	
URL uređaja:	https://10.61.12.186
Datum aktivacije uređaja:	Jan 01, 1970 05:30:00
Crni otisci:	1255
Otisci u boji:	993
Ukupan broj otisaka:	2248

## Profil uređaja

Xerox oznake sredstva:	
Korisničke oznake sredstva:	
Telefonski broj za usluge:	
Broj tehničke podrške za korisnike:	
Broj telefona za potrošni materijal:	
Administrator sustava:	Ime administratora sustava nije post...
Lokacija uređaja:	Lokacija uređaja nije postavljena

## Upravlja

Primarni MB poslu itelj:

## Hardver uređaja

Faks kartica:	Nije prisutno
Veličina memorije faksa:	0 MB
Ploča stranog sučelja:	nije prisutno
Veličina RAM-a uređaja:	3904 MB
Veličina pohrane uređaja:	korišteno=2983MB/ukupno=13925MB (eMMC)
Veličina memorije EPC:	187 MB
Komplet za produktivnost:	Nije instalirano
Vrsta finišera:	Jednostavna izlazna ladica
Finišer s probijačem:	Ništa
Mapa finišera:	nije prisutno
Komplet za otkrivanje višestrukog um...	Nije instalirano

## Opaće postavke

Daljinske usluge:	Omogućeno
Udaljeno preuzimanje softvera:	Omogućeno
Prijenos udaljenih usluga Vrijeme:	11:10
Xerox Workplace Cloud	Omogućeno
Upozorenja e-pošte:	Onemogućeno
Paket usluga:	Mjereno
Zemljopisno područje:	nepoznato
Pomak GMT:	+05:30
Instalacija kloniranja	Dopušteno (samo šifrirane datoteke)
Dijeljenje datoteka	Omogućeno
JBIG2	Bez gubitka

## Štedljivi način rada

Stanje dubokog mirovanja:	Omogućeno
Štedljivi način rada:	Zadatak aktiviran

## Pametni senzor blizine

Buđenje na dolasku:	Nedostupno
Mirovanje na odlasku:	

## Verzije softvera

Softver uređaja:	122.024.004.35400
Verzija zakrpe:	Ništa
Mre ni upravljač:	122.024.35400
Firmver upravljačke ploče korisničkog suč...	6.2
Modul označavanja:	230.315
Uvlačenje dokumenata:	230.315
Finišer:	000.000.000
Faks:	000.000.000
Skener:	230.315
Nadogradnje uređaja:	Dopušteno
Zadnja uspješna nadogradnja:	prosinac 24, 2024 11:39:56

## Ladice za medij

Ladica 1:	Obični, Bijela and A4 (210 x 297 mm)
Ladica 2:	Obični, Bijela and A4 (210 x 297 mm)
Ladica 3:	Uvezani papir, Bijela and A4 (210 x ...
Ladica 4:	Reciklirani, Bijela and A4 (210 x 29...
Ladica 5:	Laki sjajni karton, Bijela and A4 (210 x 29...
Zaobilazna ladica:	Obični, Bijela and A4 (210 x 297 mm)

## Instalirane opcije

PS:	Instalirano
-----	-------------

## Povezivost

## Mobilni tijekovi rada

Ispis AirPrint:	Omogućeno
Pronala enje pisača Mopria:	Omogućeno
Skeniranje AirPrint / Morphia	Omogućeno
Provjera autentičnosti	Onemogućeno

## Fizičke veze

Postavke USB-a	
USB priključci tipa A	Sve omogućeno
USB priključak tipa B	Onemogućeno
ičano:	Omogućeno
MAC adresa Ethernet:	S6:80:0e:a7:a8:9c
Brzina Ethernet / postavke dvostr:	automatski
Be ično:	Onemogućeno

Be ično MAC adresa:	
Naziv mre e (SSID):	
BSSID:	
Način sigurnosti:	
Algoritam šifriranja:	
Status:	

Wi-Fi Direct:	Omogućeno
Be ični hardver:	Nije instalirano

Naziv Wi-Fi zaštićenog postavljanja ...	
Pristupna točka (SSID):	
Prikaz zaporka na zaslonu uređaja osjetlj...	

NFC:	Omogućeno
iBeacon (Bluetooth®) za otkrivanje znača...	Omogućeno

Hardver za iBeacon:	Nije instalirano
Adresa Bluetooth uređaja:	
IP adresa uređaja iBeacon:	

## Protokoli

TCP/IPV4:	Omogućeno
IP adresa:	10.61.12.186
Maska podmre e:	255.255.255.0
Ruter/pristupnik:	10.61.12.1
Automatsko adresiranje:	DHCP
DHCP poslu itelj:	10.61.13.224
Kraj najma DHCP-a:	Fri Jan 10 16:35:33 2025
Emitiranje BOOTP:	Onemogućeno
Stanje samostalno dodijeljene adrese:	Omogućeno
Samostalno dodijeljena adresa:	

## TCP/IPV6:

Lokalna adresa na razini veze:	Omogućeno
Korištenje prefiksa usmjerivača:	fe80::5480:eff:fea7:a89c
Globalna adresa 1 bez stanja:	Omogućeno
Globalna adresa 2 bez stanja:	fd00:0:2:112:5480:eff:fea7:a89c
..	::

Ručna adresa:	
Adresiranje DHCP:	Koristi DHCP prema uputama usmjerivača
Adresa DHCP:	

Zadani pristupnik:	fe80::8afc:5dff:fe75:e282
--------------------	---------------------------

## DUID (jedinствeni identifikator DHCP):

Postavke DNS-a:	
Zatra eni naziv hosta:	XXR56800EA7A89C

Potvrđeni naziv hosta:	
Zatra eni naziv domene:	
Potvrđeni naziv domene:	

mDNS:	Omogućeno
Pokreni najam DHCP-a i registracije ...	Onemogućeno

Primarni DNS poslu itelj:	10.61.7.15
Preferiraj IPv6 DNS umjesto IPv4:	Omogućeno

## Bonjour:

Naziv Bonjour pisača:	Xerox VersaLink C625 Color MFP (A7:A...
-----------------------	---

HTTP:	Omogućeno
Zadavanje prometa putem sigurne veze f...	Da
IPP	Omogućeno

SNMP	
SNMP v1/v2:	Omogućeno
SNMP v3:	Onemogućeno

LPR/LPD:	Omogućeno
Izravni ispis IP:	Omogućeno

LDAP	
LDAP poslu itelj 1, primarna LDAP ad...	0.0.0.0:389
LDAP poslu itelj 1, pretra ivanje korijen...	
LDAP poslu itelj 1, sigurna veza (LD...	
LDAP poslu itelj 1, provjerite valjanost ce...	

Onemogućeno	
Onemogućeno	

SMTP	
SMTP poslu itelj:	10.61.10.8:25
Šifriranje povezivanja (TLS):	Nema šifriranja
Provjera certifikata poslu itelja (T...	

**Protokoli (nast.)**

<b>POP3</b>	
POP3 poslu itelj:	0.0.0.0:110
POP3 Sigurna veza (TLS):	Onemoguæeno
Adresa e-pošte:	
<b>NTP:</b>	Onemoguæeno
<b>FTP klijent:</b>	Onemoguæeno
Naèin rada FTP klijenta:	Neaktivno
<b>Web usluge za ureðaje:</b>	Omoguæeno

**Aplikacije****Ispisivanje**

Oglasna stranica:	Onemoguæeno
Listovi s pogreškama:	Omoguæeno
Zamjena papira:	Omoguæeno
Prioritet ladica:	1,2,3,4,5,6
<b>Naèin oznaèavanja arhive</b>	Iskljuèeno
<b>PostScript</b>	Instalirano
Razina:	3
Verzija:	3021.101
<b>PCL</b>	
Verzija:	6
Naziv fonta:	Courier
<b>Prilagoðene tablice boja</b>	Omoguæeno
Oznaka:	Nije instalirano
<b>Faks:</b>	Nije prisutno
Linija faksa 1:	
Linija faksa 2:	

**Poslu iteljski faks:**

Protokol spremišta:	Omoguæeno
Poslu itelj spremišta:	SFTP
Putanja dokumenta spremišta:	10.61.23.93:22

**Skeniranje radnog tijeka:**

<b>E-pošta:</b>	Omoguæeno
<b>Skeniranje na poštanski pretinac:</b>	Omoguæeno
Kapacitet pohrane (MB):	672 MB
Iskorištena pohrana (MB):	49 MB
Èišæenje javnih mapa:	Omoguæeno
Èišæenje stvorenih mapa:	Omoguæeno
Vrijeme èišæenja:	Svakodnevno

**Skeniranje na poèetni zaslon:**

<b>Skeniraj na:</b>	Omoguæeno
Usluge u oblaku:	Omoguæeno
<b>Ispis s:</b>	Omoguæeno
Spremljeni zadaci za ponovni ispis:	Omoguæeno
Ispis s USB-a:	Omoguæeno
Ispis iz poštanskog pretinca:	Omoguæeno
Usluge u oblaku:	Omoguæeno

**Raèunovodstvo**

Naèin raèunovodstva:	Ništa
Mre na raèunovodstvo:	Onemoguæeno

**Sigurnost****Konfiguracija provjere autentiènosti**

<b>Provjera autentiènosti UI na ureðaju:</b>	Lokalno na ureðaju
Poèetni zaslon:	Otkljuèano
Zadaci:	Otkljuèano
Ureðaj:	Otkljuèano
Provjera autentiènosti ureðaja na web mje.:	Lokalno na ureðaju
Autorizacija:	Lokalno na ureðaju
Dohvaðanje e-pošte s LDAP-a:	Omoguæeno
<b>Poslu itelj za provjeru autentiènosti:</b>	Kerberos
<b>Xerox zaštiæeni pristup:</b>	Onemoguæeno
<b>Zapis za reviziju:</b>	Omoguæeno
<b>Sig. IP:</b>	Onemoguæeno
<b>Filtriranje IP:</b>	Onemoguæeno

**Sigurnosni certifikati**

Certifikat ureðaja:	Polpisano
Instalirani korisnički certifikati:	54
<b>802.1x:</b>	Onemoguæeno

**Uklanjanje podataka o zadatku:**

Zakazanac:	Onemoguæeno
------------	-------------

**FIPS 140-3:**

	Onemoguæeno
--	-------------

**TLS:**

TLS Hash:	TLS 1.2 i TLS 1.3
	SHA-1, SHA-256 i noviji

**Trellix Embedded Control:**

	Onemoguæeno
--	-------------

## Uobičajeni korisnički podaci

Naziv uređaja:	Xerox VersaLink C625 Color MFP (A7A...
IP adresa:	10.61.12.186
Serijski broj uređaja:	5322480247
Linija faksa 1:	
URL uređaja:	https://10.61.12.186
Datum aktivacije uređaja:	Jan 01, 1970 05:30:00
Crni otisci:	1255
Otisci u boji:	993
Ukupan broj otisaka:	2248

## Profil uređaja

Xerox oznake sredstva:	
Korisničke oznake sredstva:	
Telefonski broj za usluge:	
Broj tehničke podrške za korisnike:	
Broj telefona za potrošni materijal:	
Administrator sustava:	Ime administratora sustava nije post...
Lokacija uređaja:	Lokacija uređaja nije postavljena
<b>Upravlja</b>	
Primarni MB poslu itelj:	

## Hardver uređaja

Faks kartica:	Nije prisutno
Velikina memorije faksa:	0 MB
Ploča stranog sučelja:	nije prisutno
Velikina RAM-a uređaja:	3904 MB
Velikina pohrane uređaja:	korišteno - 2983MB/ukupno - 13925MB (eMMC)
Velikina memorije EPC:	187 MB
Komplet za produktivnost:	Nije instalirano
Vrsta finišera:	Jednostavna izlazna ladica
Finišer s probijačem:	Ništa
Mapa finišera:	nije prisutno
Komplet za otkrivanje višestrukog um...	Nije instalirano

## Opæe postavke

Daljninske usluge:	Omoguæeno
Udaljeno preuzimanje softvera:	Omoguæeno
Prijenos udaljenih usluga Vrijeme:	11:10
Xerox Workplace Cloud	Omoguæeno
Upozorenja e-pošte:	Onemoguæeno
Paket usluga:	Mjereno
Zemljopisno područje:	nepoznato
Izveštaje konfig. pokretanja:	Omoguæeno
Pomak GMT:	+05:30
Instalacija kloniranja	Dopušteno (samo šifrirane datoteke)
Dopusti slanje ispisa kloniranih dat...	Omoguæeno
Dijeljenje datoteka	Omoguæeno
JBIG2	Bez gubitka

## Štedljivi naèin rada

Stanje dubokog mirovanja:	Omoguæeno
Štedljivi naèin rada:	Zadatak aktiviran
Tajmer naèina mirovanja:	120 minute
Auto iskljuèivanje:	Onemoguæeno

## Verzije softvera

Softver uređaja:	122.024.004.35400
Verzija zakrpe:	Ništa
Mre ni upravljaè:	122.024.35400
Firmver upravljaèke ploèe korisnièkog suè...	6.2
Korisnièko suèelje:	122.024.35400
Modul oznaèavanja:	230.315
Upravljaè kopiranja:	122.024.35400
Uvlakaè dokumenata:	230.315
Finišer:	000.000.000
Faks:	000.000.000
OS:	230.315
Skener:	230.315
Nadogradnja softvera:	005.007
Nadogradnja softvera ALTBOOT:	005.007
Ladica 2:	A15.51_B2.3
Ladica 3:	A15.51_B2.3
Ladica 4:	A15.51_B2.3
Ladica 5:	A15.51_B2.3
<b>Nadogradnje uređaja:</b>	
Zadnja uspješno nadogradnja:	prosinac 24, 2024 11:39:56
Zakazane auto nadogradnje:	Onemoguæeno
Vrijeme poèetka auto nadogradnje:	Svakodnevno
Poslu itelj auto nadogradnje:	0.0.0.0:21

## Ladice za medij

Ladica 1:	Obièni, Bijela and A4 (210 x 297 mm)
Ladica 2:	Obièni, Bijela and A4 (210 x 297 mm)
Ladica 3:	Uvezani papir, Bijela and A4 (210 x ...
Ladica 4:	Reciklirani, Bijela and A4 (210 x 29...
Ladica 5:	Laki sjajni karton, Bijela and A4 (210 x 29...
Zaobilazna ladica:	Obièni, Bijela and A4 (210 x 297 mm)

## Povezivost

### Mobilni tijekovi rada

Ispis AirPrint:	Omoguæeno
Pronala enje pisaèa Mopria:	Omoguæeno
Skeniranje AirPrint / Mopria	Omoguæeno
Provjera autentiènosti	Onemoguæeno
Univerzalni ispis:	Onemoguæeno
Status registracije univerzalnog isp...	Nije registrirano
<b>Fizieke veze</b>	
<b>Postavke USB-a</b>	
USB prikljuèci tipa A	Sve omoguæeno
USB prikljuèak tipa B	Onemoguæeno
Istek vremena veze	5 sekunde
<b>èano:</b>	Omoguæeno
MAC adresa Ethernet:	56:80:0e:a7:a8:9c
Brzina Ethernet / postavke dvostr...	automatski
<b>Be èano:</b>	Onemoguæeno
Be èano MAC adresa:	
Naziv mre e (SSID):	
BSSID:	
Naèin sigurnosti:	
Algoritam šifriranja:	
Status:	
<b>Wi-Fi Direct:</b>	Omoguæeno
Be èani hardver:	Nije instalirano
Naziv Wi-Fi zaštiæenog postavljanja ...	
Metoda povezivanja:	
Adresa podmre nog prefiksa:	
Pristupna toèka (SSID):	
Prikaz zaporka na zaslonu uređaja osjetlj...	
<b>NFC:</b>	Omoguæeno
<b>iBeacon (Bluetooth®) za otkrivanje znaèa...</b>	Omoguæeno
Hardver za iBeacon:	Nije instalirano
Adresa Bluetooth uređaja:	
IP adresa uređaja iBeacon:	

## Protokoli

### TCP/IPV4:

IP adresa:	Omoguæeno	10.61.12.186
Maska podmre e:	255.255.255.0	
Ruter/pristupnik:	10.61.12.1	
Automatsko adresiranje:	DHCP	
DHCP poslu itelj:	10.61.13.224	
Kraj najma DHCP-a:	Fri Jan 10 16:35:33 2025	
Emitiranje BOOTP:	Onemoguæeno	
Stanje samostalno dodijeljene adrese:	Omoguæeno	
Samostalno dodijeljena adresa:		
<b>TCP/IPV6:</b>	Omoguæeno	
Lokalna adresa na razini veze:	fe80::5480:eff:fea7:a89c	
Korištenje prefiksa usmjerivaèa:	Omoguæeno	
Globalna adresa 1 bez stanja:	fd00:0:2:112:5480:eff:fea7:a89c	
Globalna adresa 2 bez stanja:	::	
Ruèna adresa:		
Adresiranje DHCP:	Koristi DHCP prema uputama usmjerivaèa	
Adresa DHCP:		
Zadani pristupnik:	fe80::8afc:5dff:fe75:e282	
DUID (jedinstveni identifikator DHCP):		

### Postavke DNS-a:

Zatra eni naziv hosta:	XRX56800EA7A89C
Potvrbeni naziv hosta:	
Zatra eni naziv domene:	
Potvrbeni naziv domene:	
mDNS:	Omoguæeno
Pokreni najam DHCP-a i registracije ...	Onemoguæeno
Primarni DNS poslu itelj:	10.61.7.15
Zamjenski DNS poslu itelj 1:	10.61.10.6
Zamjenski DNS poslu itelj 2:	::
Stanko povezivanja DNS-a:	5
Pridru ivanje domene uređaja:	Omoguæeno
Pridru ivanje nadreðene domene:	Onemoguæeno
Papir pretra ivanja domene DNS:	XEROXQA.COM
Preferiraj IPv6 DNS umjesto IPv4:	Omoguæeno

## Instalirane opcije

PS:	Instalirano
-----	-------------

## Protokolli (nast.)

<b>Bonjour:</b>	
Naziv Bonjour pisača:	Xerox VersaLink C625 Color MFP (A7-A...
<b>HTTP:</b>	
Broj priključka:	Omogućeno
Zadavanje prometa putem sigurne veze:	80
Broj sigurnog HTTP priključka:	Da
Proxy poslu itelj:	443
Adresa proxy poslu itelja:	Ručno
IPP:	10.177.8.91:8080
Način sigurnog IPP-ja:	Omogućeno
IPP mreži put:	IPP i sigurni IPPS
	http://10.61.12.186:631
<b>SNMP</b>	
SNMP v1/v2:	Omogućeno
SNMP v3:	Onemogućeno
<b>LPR/LPD:</b>	
Broj priključka:	Omogućeno
Prebacivanje PDL-a:	515
PDL zamjena oglasa:	Onemogućeno
<b>Izravni ispis IP:</b>	
Broj priključka 1:	Omogućeno
Dvosmjerno:	9100
Stanka na kraju zadatka:	Onemogućeno
Prebacivanje PDL-a:	300
<b>LDAP</b>	
LDAP poslu itelj 1, prilagođeni naziv:	
LDAP poslu itelj 1, primarna LDAP ad...	0.0.0.0:389
LDAP poslu itelj 1, zamjenska LDAP a...	0.0.0.0:389
LDAP poslu itelj 1, pretvaranje karjen...	
LDAP poslu itelj 1, sigurna veza (LD...	Onemogućeno
LDAP poslu itelj 1, provjerite valjanost ce...	Onemogućeno
<b>SMTP</b>	
SMTP poslu itelj:	10.61.10.8:25
Šifriranje povezivanja (TLS):	Nema šifriranja
Provjera certifikata poslu itelja (T...	
Maks. veličina poruke (KB):	10240
Broj fragmenata:	1
Ukupna veličina posla (KB):	300000
Granica podjele posla:	Granica stranice
Podaci za auto e-poštu:	Ništa
Podaci za Walkup korisnike:	Ništa
<b>POP3</b>	
POP3 poslu itelj:	0.0.0.0:110
POP3 Sigurna veza (TLS):	Onemogućeno
Adresa e-pošte:	
Primitak e-pošte putem POP3:	Onemogućeno
Slanje potvrde na zahtjev:	Omogućeno
Naslovna stranica ulazne e-pošte:	Omogućeno
<b>NTP:</b>	
Primarni poslu itelj:	Onemogućeno
Alternativni poslu itelj:	0.0.0.0:123
<b>SLP:</b>	
FTP klijent:	Omogućeno
Način rada FTP klijenta:	Neaktivno
<b>Web usluge za uređaje:</b>	
WS otkrivanje:	Omogućeno
WS otkrivanje višesmjernog slanja:	Omogućeno
WS ispis:	Omogućeno
WS skeniranje:	Omogućeno
<b>Mrežne usluge</b>	
Kopiraj podneseno:	Omogućeno
Upravljanje digitalnim certifikatima i konf...	Omogućeno
Registracija proširivih usluga:	Omogućeno
Ograničenja zadatka:	Omogućeno
Proširenje za upravljanje poslovima:	Omogućeno
Konfiguracija uređaja:	Omogućeno
Skeniraj podneseno:	Omogućeno
Upravljanje skeniranjem radnog tijeka:	Omogućeno
Podaci sesije:	Omogućeno
Konfiguracija korisničkog suželja:	Omogućeno
Konfiguracija EIP proxyja:	Omogućeno
Xerox zaštićeni pristup:	Onemogućeno
Konfiguracija SNMP-a EIP:	Omogućeno
Slanje ispisa:	Omogućeno
Upr. predloškom sken:	Omogućeno
Pristup masovnoj pohrani:	Omogućeno
Pristup etažu kartice:	Omogućeno
Konfiguracija provjere autentičnosti i rač...	Omogućeno
Izvezi zapis za reviziju:	Omogućeno
Trellix Embedded Control:	Omogućeno

## Aplikacije

## Ispisivanje

Oglasna stranica:	Omogućeno
Sus/pokretanje posla:	Onemogućeno
Izbrisati zadane zadatke nakon:	3 Day(s) 0 Hour(s) 0 Minute(s)
Listovi s pogreškama:	Omogućeno
Zamjena papira:	Omogućeno
Prioritet ladica:	1,2,3,4,5,6
Zadane kopije:	1
Zadana vrsta zadatka:	Probni ispis
Zadana veličina papira:	x=8.50 inches, y=11.00 inches
Zadana boja papira:	Bijela
Zadani dvostrani ispis:	Dvostrano
Zadana izlazna ladica:	Središnja ladica
Zadana izlazna boja:	Boja
Zadani poredani skupovi:	Omogućeno
Zadana spajanje:	Nema spajalice
Poravnavanje između zadataka:	Nema pomaka između zadataka
Način označavanja arhive	Isključeno
PostScript	Instalirano
Razina:	3
Verzija:	3021.101
Kvaliteta slike:	Poboljšano

## PCL

Verzija:	6
Veličina razmaka:	10.00
Veličina točke:	12.00
Naziv fonta:	Courier
Redaka po stranici:	60
Prilagođene tablice boja	Omogućeno
Oznaka:	Nije instalirano
	Nije prisutno

## Faks:

Linija faksa 1:	
Linija faksa 2:	

## Poslu iteljski faks:

Potvrđni list:	Omogućeno
Odgoda pokretanja:	Uključeno
Protokol spremišta:	Onemogućeno
Poslu itelj spremišta:	SFTP
Putanja dokumenta spremišta:	10.61.23.93:22
	1

## Skeniranje radnog tijeka:

Potvrđni list:	Omogućeno
Protokol zadanog spremišta:	Uključeno
Poslu itelj zadanog spremišta:	SMB
Putanja dokumenta zadanog spremišta:	10.61.23.93:445
Podaci za prijavu na zadanu spremište:	/
Protokol Alt 1 spremišta:	Uređaj
Poslu itelj Alt 1 spremišta:	SMB
Putanja dokumenta Alt 1 spremišta:	0.0.0.0:0
Podaci za prijavu na Alt 1 spremište:	
Protokol skupa radnih tijekova:	Uređaj
Poslu itelj skupa radnih tijekova:	SMB
Put skupa radnih tijekova:	0.0.0.0:0

## E-pošta:

Zadano s adrese:	Omogućeno
Patvrđni list:	rathumeenas@xeroxqa.com
Auto slanje sebi:	Uključeno
Sigurnost e-pošte:	Onemogućeno

## Skeniranje na poštanski pretinac:

Zadano pregledavanje poštanskih pret...	Omogućeno
Kapacitet pohrane (MB):	Omogućeno
Iskorišteno pohrana (MB):	672 MB
49 MB	
Éišaenje javnih mapa:	Omogućeno
Éišaenje stvorenih mapa:	Omogućeno
Vrijeme éišaenja:	Svakodnevno

## Skeniranje na početni zaslon:

Prilagođeni naziv:	Omogućeno
Naziv tijeka rada:	Omogućeno
Auto stvar. poddirek.:	Omogućeno
Dodaj korisničko ime u putanju:	Omogućeno
Auto stvar. dir. korisničkog imena:	Omogućeno

## Skeniraj na:

Usluge u oblaku:	Omogućeno
Ispis s:	Omogućeno
Spremljeni zadaci za ponovni ispis:	Omogućeno
Ispis s USB-a:	Omogućeno
Ispis iz poštanskog pretinca:	Omogućeno
Usluge u oblaku:	Omogućeno

**Računovodstvo**

Način računovodstva: Ništa  
 Mre no računovodstvo: Onemogućeno

**Sigurnost****Konfiguracija provjere autentičnosti**

Provjera autentičnosti UI na uređaju: Lokalno na uređaju  
 Početni zaslon: Otključano  
 Zadaci: Otključano  
 Uređaj: Otključano  
 Provjera autentičnosti uređaja na web mje... Lokalno na uređaju  
 Autorizacija: Lokalno na uređaju  
 Dohvaćanje e-pošte s LDAP-a: Omogućeno

**Poslu itelj za provjeru autentičnosti:**

Kerberos primarno područje: Kerberos  
 Kerberos primarna adresa: 0.0.0.0:88  
 Kerberos Alt 1 područje: 0.0.0.0:88  
 Kerberos Alt 1 adresa: 0.0.0.0:88  
 SMB NT domena: 0.0.0.0:443  
 SMB Alt 1 NT domena: 0.0.0.0:443  
 Poslu itelj uprav. p. karticom: 0.0.0.0:443  
 Domena uprav. p. karticom: 0.0.0.0:443  
 URL OCSP-a p. kartice: 0.0.0.0:443  
 Pravila za nadogradnju čitača kartica: Omogućeno  
 Verzija firmvera čitača kartica: Omogućeno

**Xerox zaštićeni pristup:**

Poslu itelj za sigurni pristup: Onemogućeno  
 Putanja za sigurni pristup: 0.0.0.0:443

**Zapis za reviziju:**

Sig. IP: Omogućeno  
 Filtriranje IP: Onemogućeno

**Sigurnosni certifikati**

Certifikat uređaja: Potpisano  
 Instalirani korisnički certifikati: 54

**802.1x:**

Uklanjanje podataka o zadatku: Onemogućeno

**Uklanjanje podataka o zadatku:**

Zakazano: Onemogućeno  
 Učestalost zakazanog: Mjesečno

**FIPS 140-3:**

TLS: Onemogućeno

**TLS:**

TLS Hash: TLS 1.2 i TLS 1.3  
 SHA-1, SHA-256 i noviji

**Trellix Embedded Control:**

Trellix Embedded Control: Onemogućeno

**Postavljanje proširivih usluga**

Preglednik trezora generacije: X3G\_3.24.23\_2.40.5\_012\_01.00.00  
 Verzija widgeta: v1.3.17 c8 20140613  
 Verzija widgeta: v2.5.04 g9 20240123

# Sa etak naplate

## Informacije o sustavu

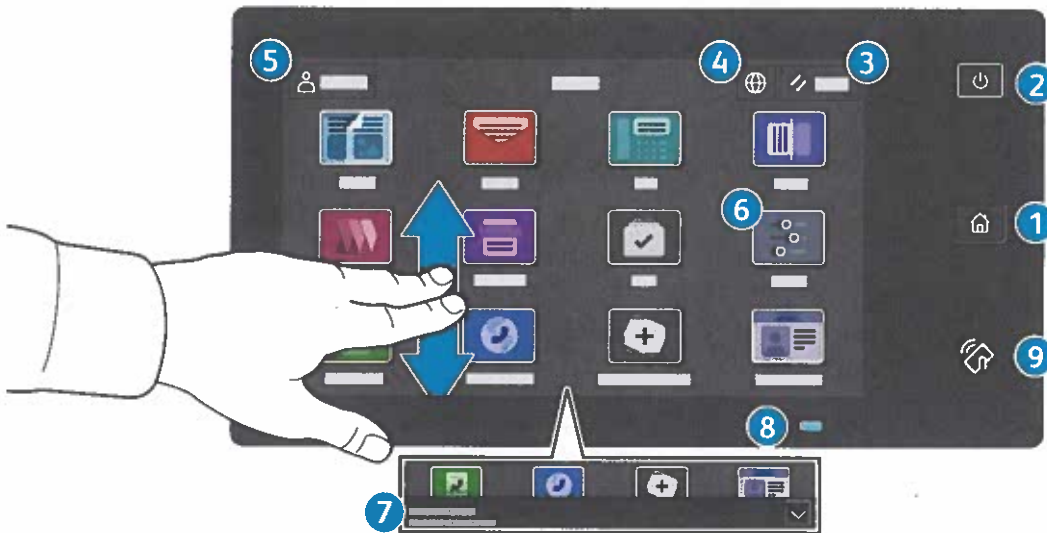
Naziv uređaja:	Xerox VersaLink C625 Color MFP (A7:A...	<b>Verzije softvera</b>	
Serijski broj uređaja:	5322480247	Softver uređaja:	122.024.004.35400
Uključeni otisci:	43	Verzija zakrpe:	Ništa
		Mre ni kontroler:	122.024.35400
		Firmver upravljačke ploče korisničkog sučelja:	6.2
		Modul označavanja:	230.315
		Uvlakač dokumenata:	230.315
		Finišer:	000.000.000
		Faks:	000.000.000
		Skener:	230.315

## Mjerenja naplate

<b>Faks</b>		Obični papir:	418
Poslane slike ugrađenog faksa:	0	Uvezani papir:	7
Otisci ugrađenog faksa:	0	Reciklirani:	8
		Zaglavlje pisma:	7
<b>Kopiraj</b>		Papir sa sjajnim premazom:	6
Otisci crnih kopija:	338		
Otisci kopija u boji:	131		
<b>Ispiši</b>			
Otisci crnih ispisa:	831		
Otisci ispisa u boji:	836		
<b>Skeniranje</b>			
Poslane slike mre nog skeniranja:	101		
Poslane slike e-pošte:	5		
<b>Ukupan broj uređaja</b>			
Crni otisci:	1255		
Otisci u boji:	993		
Ukupan broj otisaka:	2248		

## Upravljačka ploča

Dostupne aplikacije mogu se razlikovati ovisno o postavi pisača. Pojediniosti o aplikacijama i značajkama potražite u *User Guide* (Korisničkom vodiču).



- 1** Početna nas vraća na glavni zaslon aplikacija.
- 2** Napajanje/Wake pokreće pisač ili pruža mogućnosti mirovanja, ponovnog pokretanja ili isključivanja pisača.
- 3** Reset vraća postavke na zadane vrijednosti u svim aplikacijama.
- 4** Language pruža izbor jezika na zaslonu.
- 5** Log in pruža poseban pristup alatima i postavkama.
- 6** Device app pruža pristup informacijama o pisaču i postavkama.
- 7** Natpis s obavijesti prikazuje status pisača i upozorenja. Da biste vidjeli sve obavijesti, dodirnite natpis. Za zatvaranje natpisa dodirnite strelicu prema dolje.
- 8** Pokazivač statusa pokazuje status pisača. Za detaljne informacije pogledajte *User Guide* (Korisničkom vodiču).
- 9** Područje NFC-a omogućuje uparivanje s mobilnim uređajem radi ispisa ili skeniranja iz aplikacije.

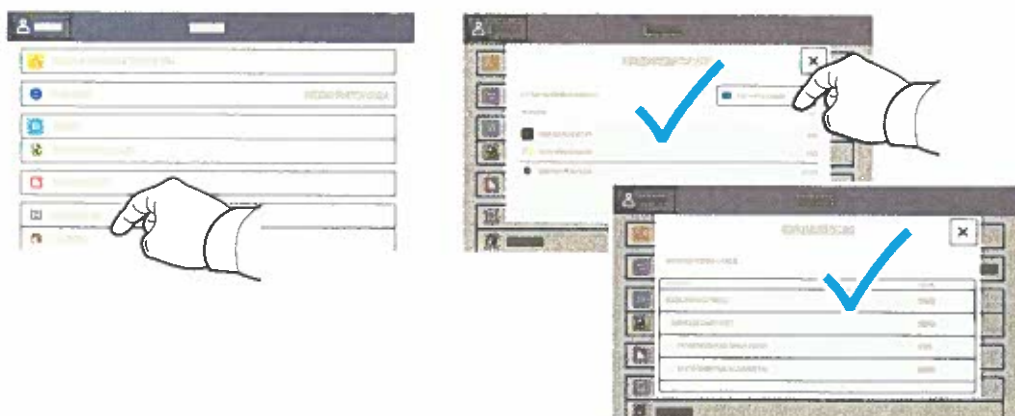
## Aplikacija Uređaj

Aplikacija Uređaj pruža pristup statusu zaliha, informacijama o pisaču i postavkama. Neki izbornici i postavke zahtijevaju prijavu uz ime i lozinku administratora.



## Informacije o naplati i upotrebi

U izborniku Značajke uređaja, za prikaz osnovnog zbroja otisaka, dodirnite **Billing/Usage** (Napлата/ korištenje). Za detaljni prikaz broja korištenja dodirnite **Usage Counters** (Brojači korištenja). Popis pruža detaljne kategorije zbroja otisaka.

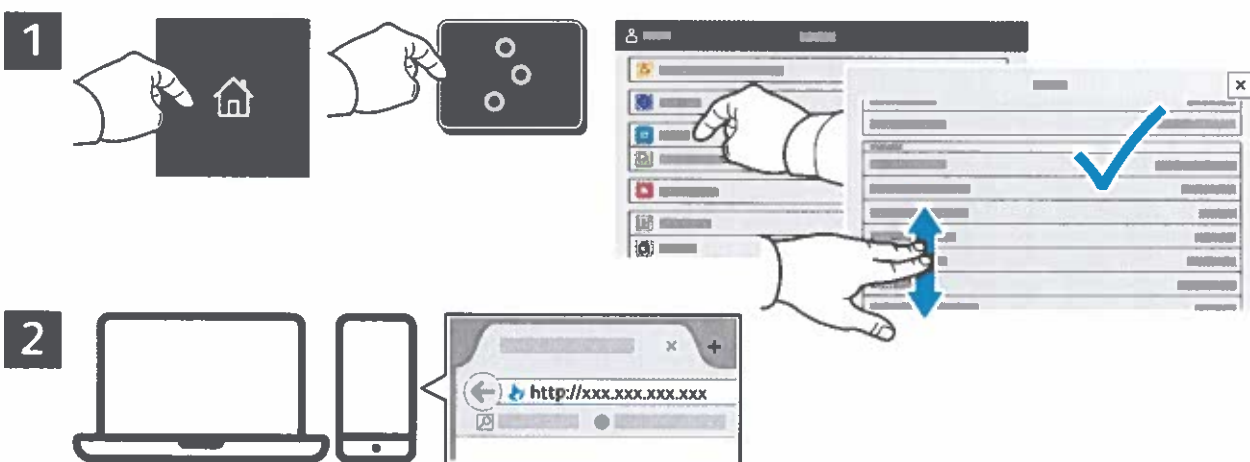


## Ugrađeni web-poslužitelj

Xerox® ugrađeni web-poslužitelj omogućuje vam pristup konfiguracijskim podacima pišača, statusu papira i potrošnog materijala, statusu zadatka i dijagnostičkim funkcijama putem mreže. Možete i upravljati faksom, e-poštom i adresarima.

Da biste se povezali, u web-preglednik upišite IP adresu pišača. IPv4 adresa mreže dostupna je na dodirnom zaslonu upravljačke ploče. Dodirnite aplikaciju **Device (Uređaj)** > **About (Više o)**, a zatim se pomaknite dolje.

Pojedinosti o upotrebi ugrađenog web-poslužitelja potražite u *User Guide* (Korisničkom vodiču) na web-mjestu Xerox.com.



## App Gallery

Xerox App Gallery ima rastuću zbirku aplikacija za produktivnost koje možete instalirati na svoj pišač. Pronađite aplikaciju na svojem početnom zaslonu i izravno izradite prijavu ili idite na [www.xerox.com/appgallery](http://www.xerox.com/appgallery) da biste se prijavili i dodali svoj uređaj. Da biste pojednostavnili instalaciju aplikacije, za vjerodajnice za prijavu u galeriju aplikacija upotrijebite isto ime koje ste upotrijebili za prijavu pišača.

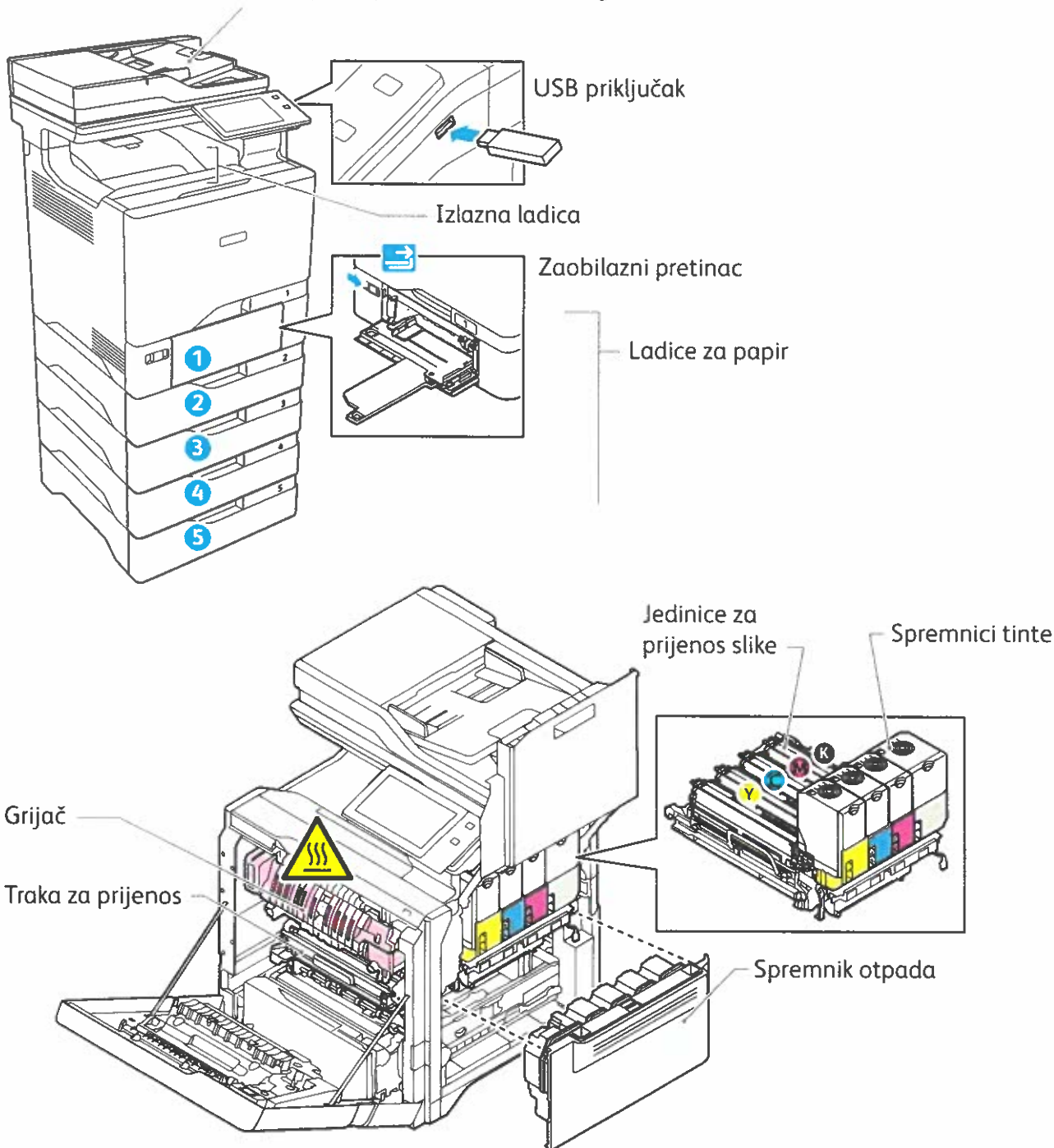


[www.xerox.com/appgallery](http://www.xerox.com/appgallery)

## Vodič za pisač

Opcijski dodaci mogu biti dijelom vaše postave pisača. Detaljne informacije potražite u *User Guide* (Korisničkom vodiču).

### Automatski jednopotezni obostrani ulagač dokumenata (DADF)



## Rukovanje papirrom

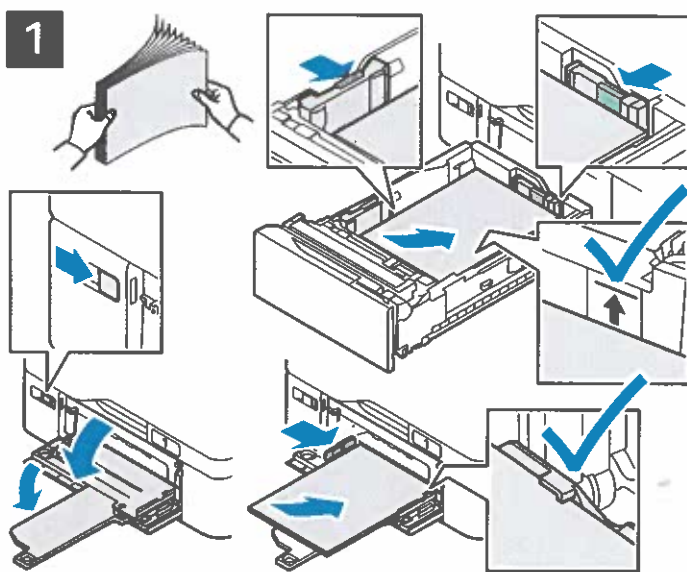
Za cjelokupni popis vrsta papira koje odgovaraju vašem pisaču pogledajte Popis preporučenih medija na:

[www.xerox.com/rmlna](http://www.xerox.com/rmlna) (SAD i Kanada)

[www.xerox.com/rmleu](http://www.xerox.com/rmleu) (Europa)

Pojedinosti o ladicama i papiru potražite u *User Guide* (Korisničkom vodiču).

## Umetanje papira



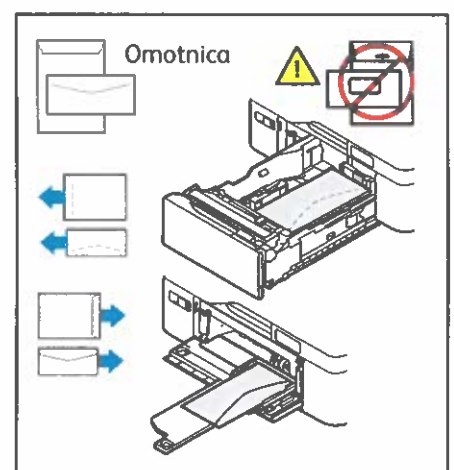
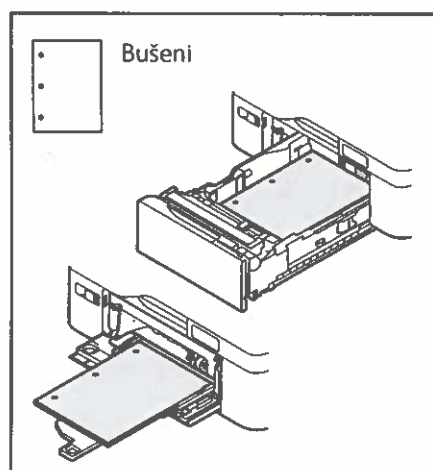
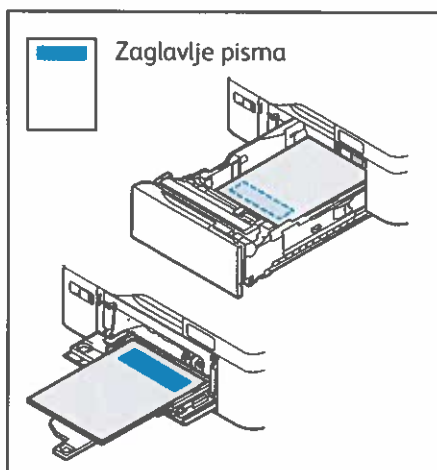
Potvrdite ili promijenite veličinu i postavke vrste ako je potrebno.



Za najbolje rezultate razgranajte rubove papira. Prilagodite vodilice veličini papira. Ne umećite papir iznad crte maksimalne ispunje.

Pri ispisu odaberite mogućnosti u upravljačkom programu pisača.

## Usmjerenje papira



# Kopiranje

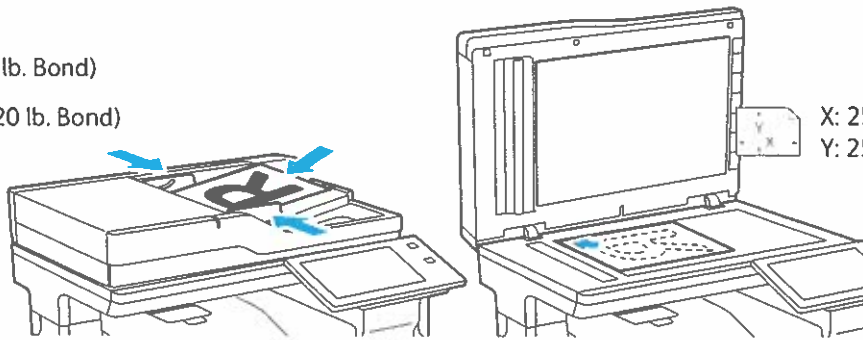
Detaljne informacije potražite u *User Guide* (Korisničkom vodiču).

1

X: 139–356 mm (5,47–14 in.)  
Y: 105–216 mm (4,13–8,5 in.)

52–120 g/m<sup>2</sup>  
(14 lb. Text – 32 lb. Bond)

≤100 (75 g/m<sup>2</sup>, 20 lb. Bond)



X: 25–355,6 mm (.98–14 in.)  
Y: 25–215,9 mm (.98–8,5 in.)

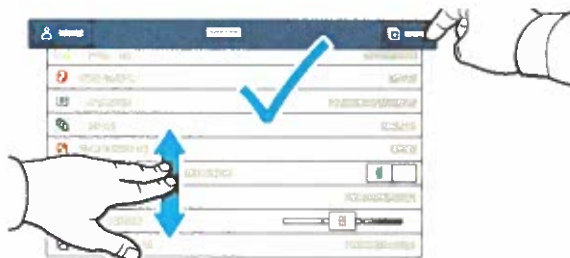
Učitajte originalne dokumente.

2

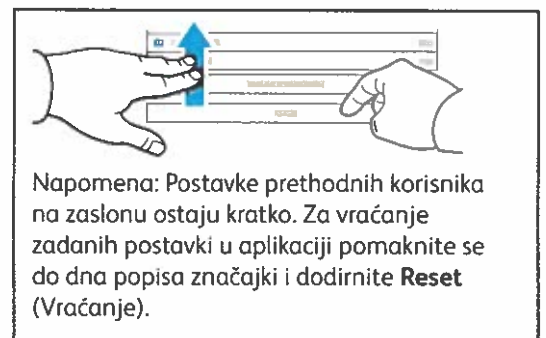


Dodirnite **Copy** (Kopiraj), a zatim odaberite željeni broj kopija.

3



Odaberite postavke s popisa, a zatim dodirnite **Start** (Pokreni).



## Skeniranje i slanje e-pošte

Ako je pisač spojen s mrežom, određite za skeniranu sliku možete odabrati na upravljačkoj ploči pisača.

Ovaj vodič određuje tehniku skeniranja dokumenata bez pripreme posebnih postavki:

- Skeniranje dokumenata i slanje na adresu e-pošte.
- Skeniranje dokumenata u spremljene Favorite, popis Adresara ili USB izbrisivi memorijski pogon.
- Skeniranje dokumenata u Zadanu javnu mapu na tvrdom disku pisača i njihovo dohvaćanje putem web-preglednika.

Pojedinosti i više o postavi skeniranja potražite u *User Guide* (Korisničkom vodiču). Pojedinosti o adresaru i postavi obrasca radnih procesa potražite u *System Administrator Guide* (Vodiču za administratora sustava).

1



X: 139–356 mm (5,47–14 in.)

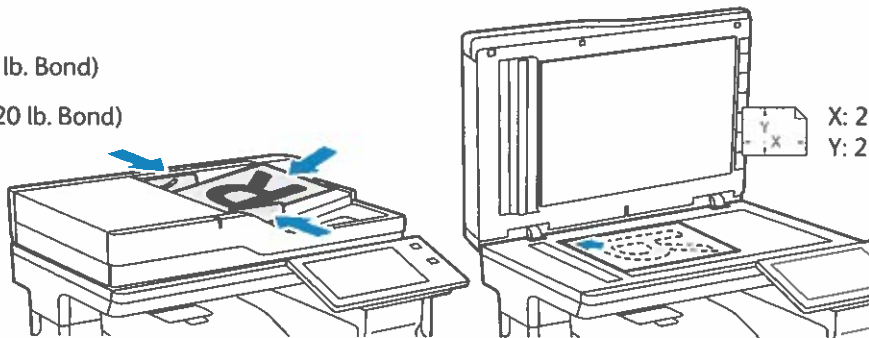
Y: 105–216 mm (4,13–8,5 in.)



52–120 g/m<sup>2</sup>  
(14 lb. Text – 32 lb. Bond)



≤100 (75 g/m<sup>2</sup>, 20 lb. Bond)

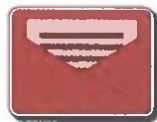


X: 25–355,6 mm (.98–14 in.)

Y: 25–215,9 mm (.98–8,5 in.)

Učitajte originalne dokumente.

2



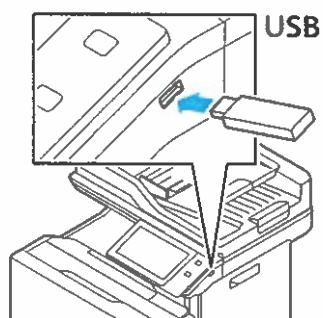
Pritisnite Početno, a zatim za slanje skena e-poštom dodirnite **Email** (E-pošta). Da biste skenirali Zadanu javnu mapu ili USB Flash memoriju, dodirnite **Workflow Scanning** (Skeniranje tijekom rada). Ako je određite skeniranja pohranjeno u adresar ili spremljeno kao favorit, dodirnite **Scan To** (Odredite skeniranja).

3



Za e-poštu dodirnite **Manual Entry** (Ručni unos), upišite adresu e-pošte putem tipkovnice dodirnog zaslona pa dodirnite **Add** (Dodaj). Za dodavanje više od jedne adrese e-pošte na popis dodirnite **Add Recipient** (Dodaj primatelja). Za upisivanje retka predmeta za e-poštu dodirnite **Subject** (Predmet). Spremljene adrese e-pošte odaberite putem Device Address Book (Adresara uređaja) ili ih odaberite iz Favorites (Favorita).

Za skeniranje tijekom rada dodirnite **Default Public Mailbox** (Zadana javna mapa) ili umetnite USB Flash memoriju.

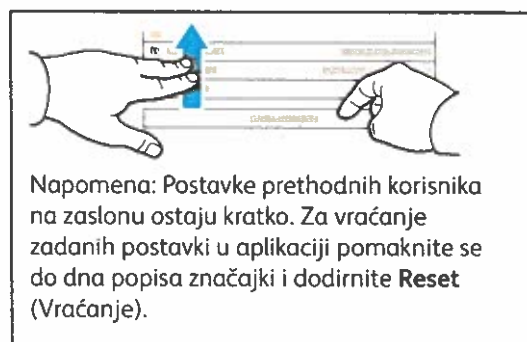


Za opciju Scan To (Skeniraj na), dodirnite vrstu odredišta, a zatim unesite odgovarajuće podatke. Za dodavanje više od jednog odredišta na popis, dodirnite **Add Destination** (Dodaj odredište).

4



Promijenite postavke prema potrebi pa dodirnite **Scan** (Skeniraj), a za e-poštu dodirnite **Send** (Pošalji).

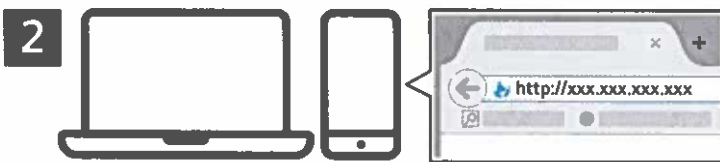


# Dohvaćanje skeniranih datoteka

Za preuzimanje skeniranih slika iz Zadane javne mape na pisaču upotrijebite ugrađeni Web poslužitelj. U ugrađenom Web poslužitelju možete postaviti osobne mape i predloške za skeniranje tijekom rada. Za detalje pogledajte *User Guide* (Korisničkom vodiču).



Zabilježite IP adresu pisača na dodirnom zaslonu. Ako se IP adresa ne pojavi pri vrhu zaslona, pritisnite Početna, dodirnite **Device** (Uređaj) > **About** (O uređaju) pa se pomaknite za provjeru IP adrese.



U web-pregledniku upišite IP adresu pisača pa pritisnite **Enter** (Unos) ili **Return** (Povratak).



Kliknite karticu **Scan** (Skeniraj).

4



Odaberite **Default Public Folder** (Zadana javna mapa), a zatim na popisu pronađite svoj sken. Da biste sken preuzeli, kliknite **Go** (Idi).

Za osvježavanje popisa kliknite **Update View** (Ažuriraj prikaz).

Za spremanje datoteke na računalo odaberite **Download** (Preuzmi).  
Za ponovni ispis spremljene datoteke odaberite **Reprint** (Ponovi ispis).  
Za trajno uklanjanje pohranjenog zadatka odaberite **Delete** (Izbriši).  
Za otvaranje imenika odaberite **Open** (Otvori).

## Faksiranje

Faks možete slati na jedan od četiri načina:

- **Faks** skenira dokument pa ga šalje izravno uređaju za faksiranje.
- **Faks na poslužitelju** skenira dokument pa ga šalje poslužitelju za faks koji dokument prenosi na faks uređaj.
- **Internetski faks** skenira dokument pa ga e-poštom šalje primatelju.
- **LAN faks** šalje trenutni zadatak ispisa kao faks.

Detaljne informacije potražite u *User Guide* (Korisničkom vodiču). Za pojedinosti o LAN faksu pogledajte softver upravljačkog programa pisača. Pojedinosti o postavljanju faksa i naprednim postavkama potražite u *System Administrator Guide* (Vodiču za administratora sustava).

1



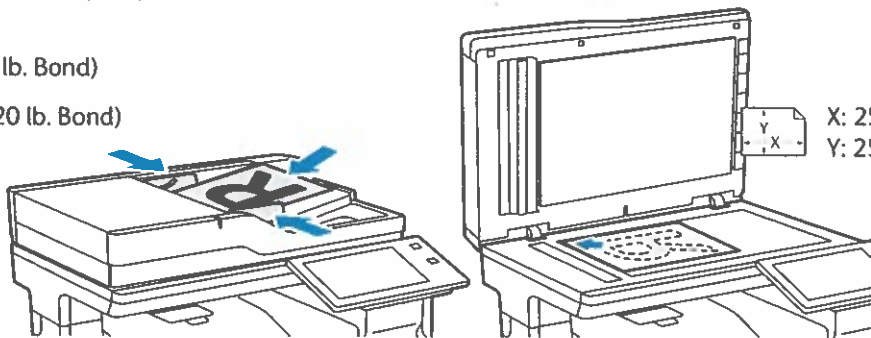
X: 139–356 mm (5,47–14 in.)  
Y: 105–216 mm (4,13–8,5 in.)



52–120 g/m<sup>2</sup>  
(14 lb. Text – 32 lb. Bond)



≤100 (75 g/m<sup>2</sup>, 20 lb. Bond)



X: 25–355,6 mm (.98–14 in.)  
Y: 25–215,9 mm (.98–8,5 in.)

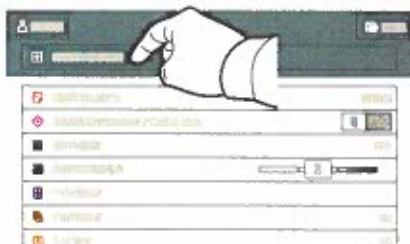
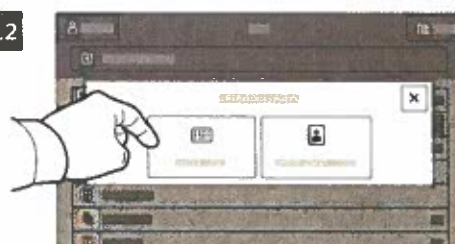
Učitajte originalne dokumente.

2



Za slanje faksa na uređaj za faksiranje pritisnite **Početna**, a zatim dodirnite **Fax** (Faks) ili **Server Fax** (Faks poslužitelja).

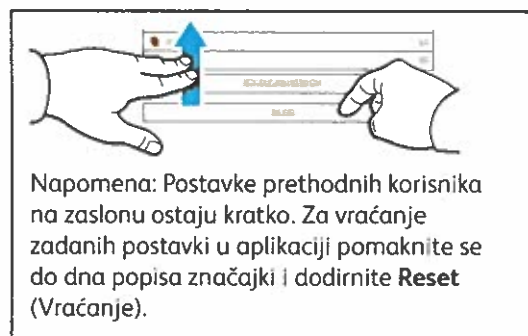
Za slanje faksa kao privitka poruci e-pošte, dodirnite **Početna**, a zatim dodirnite **Internet Fax** (Internetski faks).

**3****3.1****3.2****3.3**

Za brojeve faksa dodirnite **Manual Entry** (Ručni unos), a zatim unesite broj faksa pomoću slovnobrojčanih tipki i posebnih znakova na dodirnom zaslonu. Dodirnite **Add** (Dodaj). Za dodavanje više brojeva faksa na popis dodirnite **Add Recipient** (Dodaj primatelja).

Za adrese e-pošte internetskog faksa dodirnite **Manual Entry** (Ručni unos), a zatim unesite adresu e-pošte putem tipkovnice na dodirnom zaslonu. Dodirnite **Add** (Dodaj). Za dodavanje više adresa e-pošte na popis dodirnite **Add Recipient** (Dodaj primatelja).

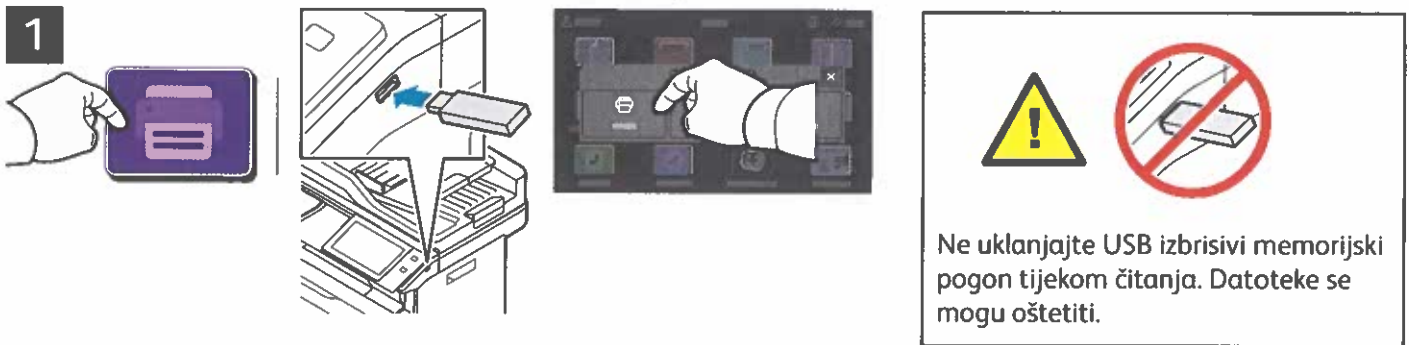
Za odabir spremljenih brojeva koristite Device Address Book (Adresar uređaja) ili Favorites (Favorita). Za odabir pohranjenih lokacija faksa koristite Mailbox (Poštanski sandučić) ili Polling (Prozivanje).

**4**

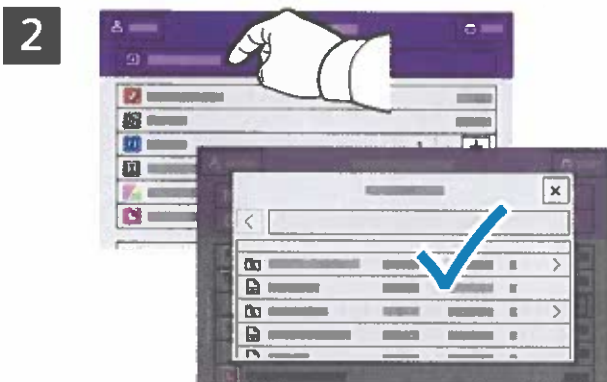
Promijenite postavke prema potrebi pa dodirnite **Send** (Pošalji).

## Ispis s USB izbrisivog memorijskog pogona

Možete ispisivati .pdf, .tiff, .ps, .xps i druge vrste datoteka izravno s USB izbrisivog memorijskog pogona. Detaljne informacije potražite u *User Guide* (Korisničkom vodiču).



Dodirnite **Print From** (Ispis s) ili umetnite USB izbrisivi memorijski pogon, a zatim odaberite **Print From USB** (Ispis s USB-a).

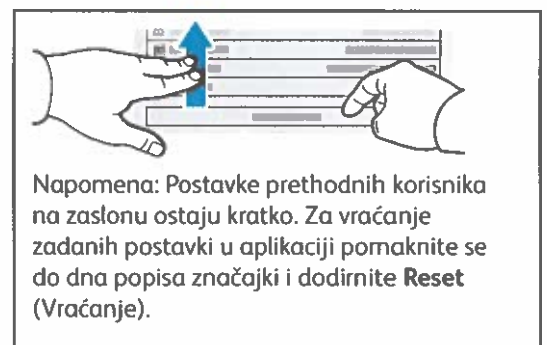


Za odabir broja kopija dodirnite znak za plus (+) ili minus (-). Za veće brojeve dodirnite **Quantity** (Količina) pa unesite broj.

Dodirnite **Add Document** (Dodaj dokument) pa navigirajte do datoteka i odaberite ih.



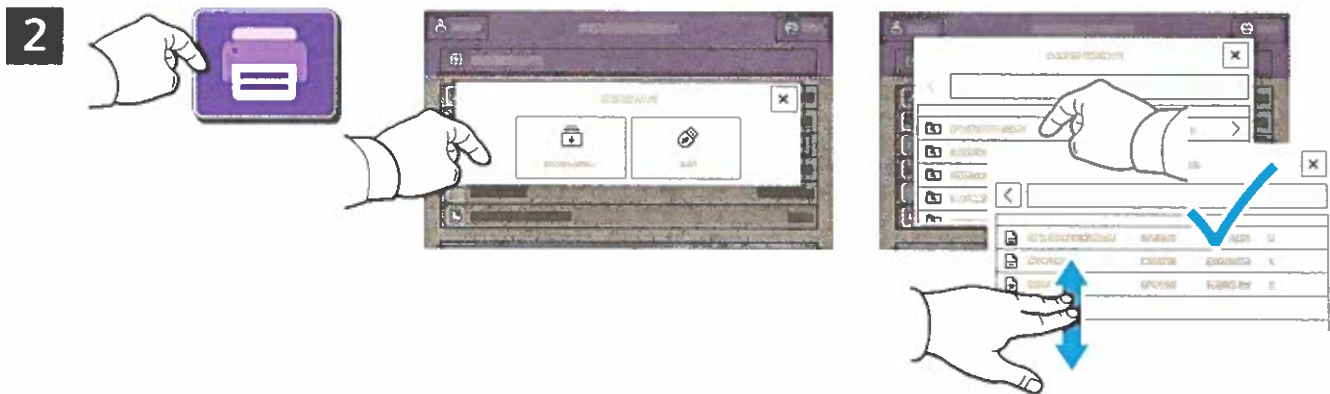
Odaberite postavke po želji, a zatim dodirnite **Print** (Ispis).



## Zadaci za ispis pohranjeni u pisaču



Zadatak za ispis možete poslati i spremiti u pisač, a zatim kasnije odabrati zadatak na upravljačkoj ploči pisača i ispisati ga. Zadaci se mogu spremiti u javnu mapu ili se zaštititi lozinkom. U upravljačkom programu Xerox® pisača odaberite **Properties (Značajke)** (Windows) ili **Xerox Features (Xerox značajke)** (Mac OS), a zatim **Job Type (Vrsta zadatka)**. Odaberite **Saved Jobs (Spremljeni zadatak)** ili **Secure Print (Sigurni ispis)**. Za Sigurni ispis upišite lozinku. Kliknite **OK (U redu)** i ispišite zadatak.



Dodirnite **Print From (Ispis s)** pa dodirnite **Saved Jobs (Spremljeni zadaci)**. Odaberite **Default Public Folder (Zadana javna map)** a pa odaberite zadatak za ispis.



Odaberite postavke s popisa. Za odabir broja kopija dodirnite znak za plus (+) ili minus (-). Za veće brojeve dodirnite **Quantity (Kvantiteta)** pa unesite broj. Dodirnite **Print (Ispis)**. Za brisanje zadatka na zaslonu za ispis i zaslonu za potvrdu dodirnite **Delete (Izbriši)**.

# Troubleshooting Print Quality

Your Xerox® VersaLink® C625 Color Multifunction Printer is designed to produce high-quality color prints consistently. If you observe print-quality problems, use the information on these pages to troubleshoot the problems. For detailed online support information, go to [www.xerox.com/office/support](http://www.xerox.com/office/support).

**CAUTION:** The Xerox® warranty, Service Agreement, or Total Satisfaction Guarantee does not cover damage caused by using unsupported paper, transparencies, or other specialty media. The Total Satisfaction Guarantee is available in the United States and Canada. Coverage can vary outside of these areas. For details, contact your local representative.

## Paper Type

**CAUTION:** If you change the type of paper in the tray, change the paper type at the control panel to match the paper in the tray. If you fail to change the paper type, it can cause print-quality problems and damage the fuser.

For the best results, only use recommended Xerox® paper and media. Xerox® paper and media are guaranteed to produce excellent results on your Xerox® VersaLink® C625 Color Multifunction Printer. To order Xerox® paper and media, go to [www.xerox.com/office/supplies](http://www.xerox.com/office/supplies).


For a complete list of recommended paper for your printer, go to:

- North America: [www.xerox.com/rmlna](http://www.xerox.com/rmlna)
- Europe: [www.xerox.com/rmleu](http://www.xerox.com/rmleu)




## Solving Print-Quality Problems

Use the following tables to find specific solutions to print-quality problems.

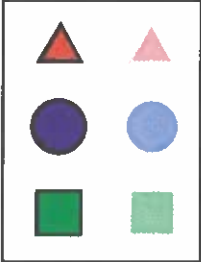
## Solving Print-Quality Problems

Problem	Solution
<p data-bbox="132 369 339 398"><b>Incomplete Fusing</b></p> <p data-bbox="132 407 616 465">Toner appears to be missing from the print, or rubs off easily.</p> 	<ol data-bbox="676 369 1430 660" style="list-style-type: none"><li>1. Verify that the paper you are using is the correct type for the printer and is properly loaded. For a complete list of recommended paper for your printer, go to:<ul data-bbox="711 481 1394 548" style="list-style-type: none"><li>– North America: <a href="http://www.xerox.com/rmlna">www.xerox.com/rmlna</a></li><li>– Europe: <a href="http://www.xerox.com/rmleu">www.xerox.com/rmleu</a></li></ul></li><li>2. Verify that the paper type is selected on the control panel and in the print driver.</li><li>3. If the problem persists, do one of the following:</li></ol> <p data-bbox="708 672 1422 730"><b>Note:</b> To change the size, type, or color of paper in a dedicated tray when the control panel is locked, log in as the system administrator.</p> <ol data-bbox="711 741 1453 1093" style="list-style-type: none"><li>a. For trays that are set to Dedicated:<ul data-bbox="746 784 1453 974" style="list-style-type: none"><li>• At the control panel, touch <b>Log In</b>. Enter system administrator login information, then touch <b>Enter</b>. For details, refer to the <i>System Administrator Guide</i>.</li><li>• Touch <b>Device &gt; Tools &gt; Device Settings &gt; Paper Management &gt; Tray Settings</b>. Select the tray, touch <b>Edit</b>, then change the paper type.</li></ul></li><li>b. For trays that are set to Fully Adjustable:<ul data-bbox="746 1025 1350 1093" style="list-style-type: none"><li>• Paper Trays: Open, then close the selected paper tray.</li><li>• Bypass Tray: Remove, then reinsert the paper.</li></ul></li></ol> <p data-bbox="708 1104 1430 1133">The control panel prompts you to confirm or change the paper type.</p> <ol data-bbox="746 1144 1453 1256" style="list-style-type: none"><li>• At the touch screen, touch <b>Type</b>, then do one of the following:<ul data-bbox="791 1182 1453 1256" style="list-style-type: none"><li>• Select the correct paper type, then touch <b>Confirm</b>.</li><li>• Select the next heavier type of paper, then touch <b>Confirm</b>.</li></ul></li></ol> <p data-bbox="708 1267 1206 1296"><b>Note:</b> Paper types from lightest to heaviest are:</p> <ul data-bbox="746 1308 1414 1431" style="list-style-type: none"><li>• For uncoated paper: Plain, Lightweight Cardstock, and Cardstock.</li><li>• For coated paper: Lightweight Glossy Cardstock and Glossy Cardstock.</li></ul>

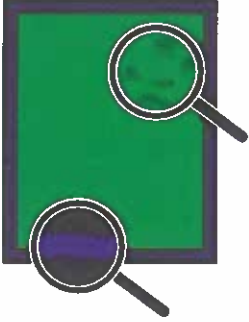

## Solving Print-Quality Problems (continued)

Problem	Solution
<p><b>Repeating Defects</b></p> <p>Spots or lines appear at regular intervals on the page in the direction that the paper moves through the printer in all colors or in non-printed areas.</p>  <p>Spots or lines appear at regular intervals on the page, in the direction the paper moves through the printer, and in one color only.</p> 	<ol style="list-style-type: none"><li>1. At the control panel, touch <b>Device &gt; Tools &gt; Troubleshooting &gt; Support Pages &gt; Repeating Defects Page &gt; Print</b>. The Repeating Defects Page prints with instructions for identifying defective units.</li><li>2. To correct the problem, replace items identified on the Repeating Defects Page. </li><li>3. If you replace a supply, reset the counter:<ol style="list-style-type: none"><li>a. At the control panel, touch <b>Log In</b>. Enter system administrator login information, then touch <b>Enter</b>. For details, refer to the <i>System Administrator Guide</i>.</li><li>b. Touch <b>Device &gt; Tools &gt; Device Settings</b>.</li><li>c. Scroll, then touch <b>Supplies &gt; Supply Counter Reset</b>.</li><li>d. Touch the replaced <b>Supply</b>.</li><li>e. Touch <b>Reset Counter</b>.</li><li>f. To close the pop-up window, touch <b>X</b>, touch <b>admin</b>, then select <b>Log Out</b>.</li></ol></li></ol>

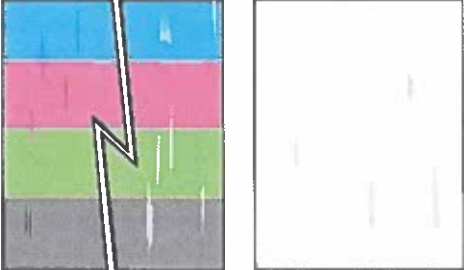
## Solving Print-Quality Problems (continued)

Problem	Solution
<p><b>Offset Image</b></p> <p>The most common offset is toner that appears to be reprinted on the page and placed about 95 mm (3.75 in.) across the page in the direction that the paper moves through the printer.</p> <p><b>Note:</b> For a different distance, use the Repeating Defects Page to identify the cause.</p> 	<ol style="list-style-type: none"> <li>Verify that the paper you are using is the correct paper type for the printer and is properly loaded. <ul style="list-style-type: none"> <li>For a complete list of recommended paper for your printer, go to: <ul style="list-style-type: none"> <li>– North America: <a href="http://www.xerox.com/rmlna">www.xerox.com/rmlna</a></li> <li>– Europe: <a href="http://www.xerox.com/rmleu">www.xerox.com/rmleu</a></li> </ul> </li> </ul> </li> <li>Verify that the paper type is selected on the control panel and in the print driver. <p><b>Note:</b> To change the size, type, or color of paper in a dedicated tray when the control panel is locked, log in as the system administrator.</p> </li> <li>If the problem persists, do one of the following: <p><b>Note:</b> To change the size, type, or color of paper in a dedicated tray when the control panel is locked, log in as the system administrator.</p> <ol style="list-style-type: none"> <li>For trays that are set to Dedicated: <ul style="list-style-type: none"> <li>At the control panel, touch <b>Log In</b>. Enter system administrator login information, then touch <b>Enter</b>. For details, refer to the <i>System Administrator Guide</i>.</li> <li>Touch <b>Device &gt; Tools &gt; Device Settings &gt; Paper Management &gt; Tray Settings</b>. Select the tray, touch <b>Edit</b>, then change the paper type.</li> </ul> </li> <li>For trays that are set to Fully Adjustable: <ul style="list-style-type: none"> <li>Paper Trays: Open, then close the selected paper tray.</li> <li>Bypass Tray: Remove, then reinsert the paper.</li> </ul> </li> </ol> <p>The control panel prompts you to confirm or change the paper type.</p> <ul style="list-style-type: none"> <li>At the touch screen, touch <b>Type</b>, then do one of the following: <ul style="list-style-type: none"> <li>Select the correct paper type, then touch <b>Confirm</b>.</li> <li>Select the next heavier type of paper, then touch <b>Confirm</b>.</li> </ul> </li> </ul> <p><b>Note:</b> Paper types from lightest to heaviest are:</p> <ul style="list-style-type: none"> <li>For uncoated paper: Plain, Lightweight Cardstock, and Cardstock.</li> <li>For coated paper: Lightweight Glossy Cardstock and Glossy Cardstock.</li> </ul> </li> <li>To identify the cause, use the Repeating Defects Page. For details, refer to the previous page.</li> </ol>

## Solving Print-Quality Problems (continued)

Problem	Solution
<p><b>Heavy Coverage Appears Mottled or Blotchy</b></p> <p><b>Blacks Appear Blue</b></p> 	<ol style="list-style-type: none"> <li>1. Verify that the paper you are using is the correct type for the printer and is properly loaded. For a complete list of recommended paper for your printer, go to: <ul style="list-style-type: none"> <li>– North America: <a href="http://www.xerox.com/rmlna">www.xerox.com/rmlna</a></li> <li>– Europe: <a href="http://www.xerox.com/rmleu">www.xerox.com/rmleu</a></li> </ul> </li> <li>2. Verify that the paper type is selected on the control panel and in the print driver.</li> </ol> <p><b>Note:</b> If the problem continues, call for service.</p>
<p><b>Colors Align Incorrectly</b></p> <p>Color has shifted outside the designated area or is superimposed over another color.</p> 	<p>Open, then close the front door. The printer performs an automatic registration calibration with the next print.</p> <p><b>Note:</b> If the problem continues, call for service.</p>
<p><b>All Colors Too Light or Too Dark</b></p> <p>Colors appear faded or too dark on print or copy.</p>	<ol style="list-style-type: none"> <li>1. Verify that the paper you are using is the correct type for the printer and is properly loaded. For a complete list of recommended paper for your printer, go to: <ul style="list-style-type: none"> <li>– North America: <a href="http://www.xerox.com/rmlna">www.xerox.com/rmlna</a></li> <li>– Europe: <a href="http://www.xerox.com/rmleu">www.xerox.com/rmleu</a></li> </ul> </li> <li>2. Verify that the paper type is selected on the control panel and in the print driver.</li> </ol> <p><b>Note:</b> If the problem continues, refer to <i>User Guide</i> or call for service.</p>

## Solving Print-Quality Problems (continued)

Problem	Solution
<p><b>Lines, Smudges, or Streaks</b> Dark or light marks appear on the page in all colors and/or in non-printed areas.</p> 	<ol style="list-style-type: none"> <li>1. Verify that the paper you are using is the correct type for the printer and is properly loaded. For a complete list of recommended paper for your printer, go to: <ul style="list-style-type: none"> <li>– North America: <a href="http://www.xerox.com/rmlna">www.xerox.com/rmlna</a></li> <li>– Europe: <a href="http://www.xerox.com/rmleu">www.xerox.com/rmleu</a></li> </ul> </li> <li>2. Verify that the paper type is selected on the control panel and in the print driver.</li> <li>3. To identify the cause, refer to the Repeating Defects Page that prints with <i>Troubleshooting Print Quality Page</i>. At the control panel, touch <b>Device &gt; Tools &gt; Troubleshooting &gt; Support Pages &gt; Repeating Defects Page &gt; Print</b>.</li> <li>4. To correct the problem, replace items identified on the Repeating Defects Page.</li> </ol>
<p><b>Colors Vary Between Computers</b> The colors printed from one computer do not match the colors printed from a different computer.</p>	<ol style="list-style-type: none"> <li>1. Confirm that the print driver settings for Print Quality, Color Correction, and Color By Words are identical on both computers.</li> <li>2. Adjust the settings as needed.</li> </ol> <p><b>Note:</b> Print driver settings override the settings that are made at the printer control panel.</p>
<p><b>Colors Do Not Match</b> The color produced by the printer is different from the color that it must match.</p>	<p>For more information about color matching, go to the Online Support Assistant at <a href="http://www.xerox.com/office/support">www.xerox.com/office/support</a>.</p>
<p><b>Printed Colors Do Not Match Monitor Colors</b> The color produced by the printer looks different from the color that appears on the computer monitor.</p>	<p>To view information about color matching between the monitor and the printed document, go to the Online Support Assistant at <a href="http://www.xerox.com/office/support">www.xerox.com/office/support</a>.</p>

## Print-Quality Settings

The Print-Quality mode and Color Corrections options directly control the quality of your prints. You can change these settings in the print driver. Select the setting that is best suited for your print job.

### Print-Quality Mode

- **Enhanced** mode is the general-purpose mode for crisp, bright color prints. Enhanced mode balances speed with quality.
- **High Resolution** mode is a high-quality mode that creates fine lines and detail. High Resolution mode is recommended for vibrant, saturated color prints. High Resolution mode balances quality over speed.
- **Toner Saver** mode reduces the amount of toner used for print jobs and is useful for draft-quality output. Print quality is slightly lower than using Standard mode.

### Color Corrections

Color corrections are available on the Image Options tab in the print driver. The Preview window appears on the right side of the Image Options tab. When the Preview check box is selected, color correction appear in the Preview window. Selecting and clearing the Preview check box allows you to compare the corrected image to the uncorrected image.

To adjust the color characteristics of your print job, select the Color Correction tab, then select options as needed.

- **Xerox Black and White Conversion** converts the colors to grayscale, producing a black and white print job. This setting is useful for creating black and white master documents for photocopying or faxing.
- **Color Correction** provides options to match the printer colors as closely as possible to colors on other devices, such as your computer screen or a printing press.
  - **Automatic** applies the best color correction to each graphic element of the document: text, artwork, and photographs.
  - **Simulate LCD Display** approximates the print job color to the colors on a LCD computer monitor.
  - **sRGB Display** approximates the print job color to an RGB (red, green, blue) display.
  - **None** removes all color correction. This option is the best choice when working with color specified within your application or operating system.
- **Xerox Automatic Color** applies the best color correction to each graphic element of the document, including text, artwork, and photographs.
- **Custom Automatic Color** provides more options for customizing colors in your print job. Use one selection to adjust the color of the text and graphics. Use the other selection to adjust the color correction applied to images. You can apply a wide range of color options to each element to simulate the outputs of different color devices.

To adjust colors using descriptive phrases, select the **Color By Words** tab. From the menus, select the phrases to build a sentence that describes the color adjustment that you want. You can build more than one sentence for the print job, affecting one color or an entire range of colors.

To change settings for each individual color parameter, select the **Color Adjustments** tab, then adjust the sliders. The sliders allow you to select a continuous range of adjustment for each of the following:

- Lightness
- Contrast
- Saturation
- Cyan to Red
- Magenta to Green
- Yellow to Blue

For more information on color matching and ICC profiles, go to [www.xerox.com/office/support](http://www.xerox.com/office/support).

# Uporaba zaliha

## Potrošni materijali

### Ulošci tonera



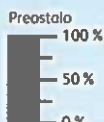
#### Crno

Datum postavljanja: Feb 6, 2024  
Ponovno naručivanje: 00  
Procjena broja preostalih stranica: 14500  
(Na temelju prosječne izdašnosti uloška ovog tonera: 3 %)



#### Cijan

Datum postavljanja: Jan 8, 2024  
Ponovno naručivanje: 00  
Procjena broja preostalih stranica: 16000  
(Na temelju prosječne izdašnosti uloška ovog tonera: 2 %)



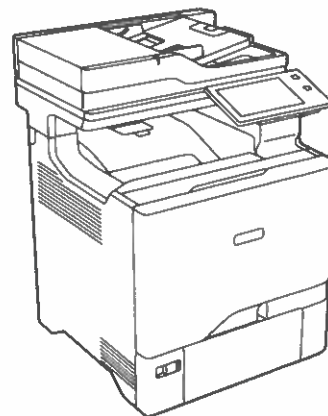
#### Magenta

Datum postavljanja: Nov 28, 2024  
Ponovno naručivanje: 00  
Procjena broja preostalih stranica: 16000  
(Na temelju prosječne izdašnosti uloška ovog tonera: 1 %)



#### uto

Datum postavljanja: Jul 24, 2024  
Ponovno naručivanje: 00  
Procjena broja preostalih stranica: 16000  
(Na temelju prosječne izdašnosti uloška ovog tonera: 1 %)



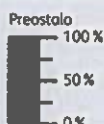
## Stavke za rutinsko održavanje

### Jedinice za prijenos slike



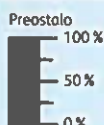
#### Komplet za obradu crno-bijelih slika

Datum postavljanja: Feb 6, 2024  
Ponovno naručivanje: 4  
Procjena broja preostalih stranica: 150000  
(Na temelju prosječne veličine zadatka ispisa: 1 Stranice)



#### Komplet za obradu slika u boji

Datum postavljanja: Feb 6, 2024  
Ponovno naručivanje: 4  
Procjena broja preostalih stranica: 150000  
(Na temelju prosječne veličine zadatka ispisa: 1 Stranice)



### Spremnik za otpad



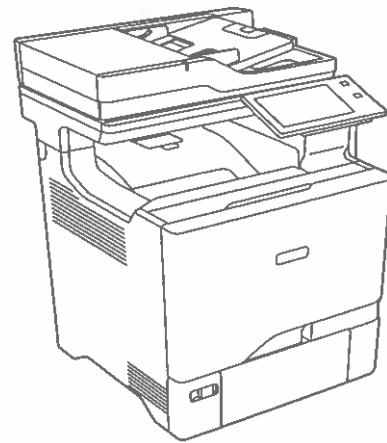
Datum postavljanja: Dec 6, 2024  
Ponovno naručivanje: 008

U redu








# Xerox® VersaLink® C625 Color Multifunction Printer

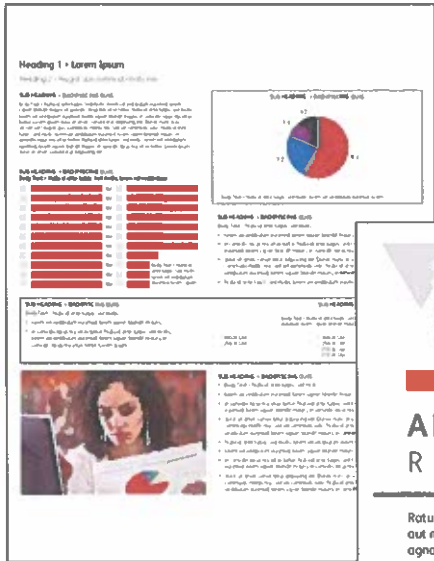
Powerful performance. Personalized productivity.

The VersaLink® C625 Color Multifunction Printer provides exceptional performance and unbeatable reliability. Cloud-connected, mobile-ready, app-enabled, and easy to customize, the C625 is your modern workplace assistant — transforming the way you work today, while ensuring you can keep up with the needs of tomorrow.



PRINT, COPY, SCAN, FAX, CLOUD

-  52 ppm Letter  
50 ppm A4
-  Solutions
-  Cloud connectivity
-  Single pass  
Two-sided scanning
-  1200 x 1200 dpi
-  Up to 2,850 pages
-  Optional: 4 additional  
paper trays



## Osnovni fontovi

Položaj	Naziv fonta	Ispis uzorka
1	Courier «Esc»(Symbol set«Esc»(s0p«pitch»h0s0b4099T	'ABCDEFGFGabcdefg0123456789&?!.,'
2	CG Times «Esc»(Symbol set«Esc»(s1p«size»v0s0b4101T	'ABCDEFGFGabcdefg0123456789&?!.,'
3	CG Times Bold «Esc»(Symbol set«Esc»(s1p«size»v0s3b4101T	'ABCDEFGFGabcdefg0123456789&?!.,'
4	CG Times Italic «Esc»(Symbol set«Esc»(s1p«size»v1s0b4101T	' <i>ABCDEFGFGabcdefg0123456789&amp;?!.,'</i>
5	CG Times Bold Italic «Esc»(Symbol set«Esc»(s1p«size»v1s3b4101T	' <b><i>ABCDEFGFGabcdefg0123456789&amp;?!.,'</i></b>
6	CG Omega «Esc»(Symbol set«Esc»(s1p«size»v0s0b4113T	'ABCDEFGFGabcdefg0123456789&?!.,'
7	CG Omega Bold «Esc»(Symbol set«Esc»(s1p«size»v0s3b4113T	' <b>ABCDEFGFGabcdefg0123456789&amp;?!.,'</b>
8	CG Omega Italic «Esc»(Symbol set«Esc»(s1p«size»v1s0b4113T	' <i>ABCDEFGFGabcdefg0123456789&amp;?!.,'</i>
9	CG Omega Bold Italic «Esc»(Symbol set«Esc»(s1p«size»v1s3b4113T	' <b><i>ABCDEFGFGabcdefg0123456789&amp;?!.,'</i></b>
10	Coronet «Esc»(Symbol set«Esc»(s1p«size»v1s0b4116T	' <i>ABCDEFGFGabcdefg0123456789&amp;?!.,'</i>
11	Clarendon Condensed «Esc»(Symbol set«Esc»(s1p«size»v4s3b4140T	' <b>ABCDEFGFGabcdefg0123456789&amp;?!.,'</b>
12	Univers Medium «Esc»(Symbol set«Esc»(s1p«size»v0s0b4148T	'ABCDEFGFGabcdefg0123456789&?!.,'
13	Univers Bold «Esc»(Symbol set«Esc»(s1p«size»v0s3b4148T	' <b>ABCDEFGFGabcdefg0123456789&amp;?!.,'</b>
14	Univers Medium Italic «Esc»(Symbol set«Esc»(s1p«size»v1s0b4148T	' <i>ABCDEFGFGabcdefg0123456789&amp;?!.,'</i>
15	Univers Bold Italic «Esc»(Symbol set«Esc»(s1p«size»v1s3b4148T	' <b><i>ABCDEFGFGabcdefg0123456789&amp;?!.,'</i></b>
16	Univers Medium Condensed «Esc»(Symbol set«Esc»(s1p«size»v4s0b4148T	'ABCDEFGFGabcdefg0123456789&?!.,'
17	Univers Bold Condensed «Esc»(Symbol set«Esc»(s1p«size»v4s3b4148T	' <b>ABCDEFGFGabcdefg0123456789&amp;?!.,'</b>
18	Univers Medium Condensed Italic «Esc»(Symbol set«Esc»(s1p«size»v5s0b4148T	' <i>ABCDEFGFGabcdefg0123456789&amp;?!.,'</i>

## Osnovni fontovi

Položaj	Naziv fonta	Ispis uzorka
19	Univers Bold Condensed Italic «Esc»(Symbol set«Esc»(s1p«size»v5s3b4148T	' <b>ABCDEFGGabcdefg0123456789&amp;?!.,'</b>
20	Antique Olive «Esc»(Symbol set«Esc»(s1p«size»v0s0b4168T	'ABCDEFGabcdefg0123456789&?!.,'
21	Antique Olive Bold «Esc»(Symbol set«Esc»(s1p«size»v0s3b4168T	' <b>ABCDEFGGabcdefg0123456789&amp;?!.,'</b>
22	Antique Olive Italic «Esc»(Symbol set«Esc»(s1p«size»v1s0b4168T	' <i>ABCDEFGGabcdefg0123456789&amp;?!.,'</i>
23	Garamond Antiqua «Esc»(Symbol set«Esc»(s1p«size»v0s0b4197T	'ABCDEFGabcdefg0123456789&?!.,'
24	Garamond Halbfett «Esc»(Symbol set«Esc»(s1p«size»v0s3b4197T	' <b>ABCDEFGGabcdefg0123456789&amp;?!.,'</b>
25	Garamond Kursiv «Esc»(Symbol set«Esc»(s1p«size»v1s0b4197T	' <i>ABCDEFGGabcdefg0123456789&amp;?!.,'</i>
26	Garamond Kursiv Halbfett «Esc»(Symbol set«Esc»(s1p«size»v1s3b4197T	' <b><i>ABCDEFGGabcdefg0123456789&amp;?!.,'</i></b>
27	Marigold «Esc»(Symbol set«Esc»(s1p«size»v0s0b4297T	'ABCDEFGabcdefg0123456789&?!.,'
28	Albertus Medium «Esc»(Symbol set«Esc»(s1p«size»v0s1b4362T	'ABCDEFGabcdefg0123456789&?!.,'
29	Albertus Extra Bold «Esc»(Symbol set«Esc»(s1p«size»v0s4b4362T	' <b>ABCDEFGabcdefg0123456789&amp;?!.,'</b>
30	Ryadh «Esc»(Symbol set«Esc»(s1p«size»v0s0b4859T	ABCDEFGabcdefg0123456789&?!.,'
31	Ryadh Bold «Esc»(Symbol set«Esc»(s1p«size»v0s3b4859T	<b>ABCDEFGabcdefg0123456789&amp;?!.,'</b>
32	Malka «Esc»(Symbol set«Esc»(s1p«size»v0s0b16584T	ABCDEFGabcdefg0123456789&?!.,'
33	Malka Bold «Esc»(Symbol set«Esc»(s1p«size»v0s3b16584T	<b>ABCDEFGabcdefg0123456789&amp;?!.,'</b>
34	Malka Italic «Esc»(Symbol set«Esc»(s1p«size»v1s0b16584T	<i>ABCDEFGabcdefg0123456789&amp;?!.,'</i>
35	Dorit «Esc»(Symbol set«Esc»(s1p«size»v0s0b16585T	ABCDEFGabcdefg0123456789&?!.,'
36	Dorit Bold «Esc»(Symbol set«Esc»(s1p«size»v0s3b16585T	<b>ABCDEFGabcdefg0123456789&amp;?!.,'</b>

## Osnovni fontovi

Položaj	Naziv fonta	Ispis uzorka
37	Naamit «Esc»(Symbol set«Esc»(s1p«size»v0s0b16587T	ABCDEFGabcdefg0123456789&!.,'
38	Naamit Bold «Esc»(Symbol set«Esc»(s1p«size»v0s3b16587T	<b>ABCDEFGabcdefg0123456789&amp;!.,'</b>
39	Arial «Esc»(Symbol set«Esc»(s1p«size»v0s0b16602T	'ABCDEFGabcdefg0123456789&!.,'
40	Arial Bold «Esc»(Symbol set«Esc»(s1p«size»v0s3b16602T	<b>'ABCDEFGabcdefg0123456789&amp;!.,'</b>
41	Arial Italic «Esc»(Symbol set«Esc»(s1p«size»v1s0b16602T	<i>'ABCDEFGabcdefg0123456789&amp;!.,'</i>
42	Arial Bold Italic «Esc»(Symbol set«Esc»(s1p«size»v1s3b16602T	<b><i>'ABCDEFGabcdefg0123456789&amp;!.,'</i></b>
43	Times New Roman «Esc»(Symbol set«Esc»(s1p«size»v0s0b16901T	'ABCDEFGabcdefg0123456789&!.,'
44	Times New Roman Bold «Esc»(Symbol set«Esc»(s1p«size»v0s3b16901T	<b>'ABCDEFGabcdefg0123456789&amp;!.,'</b>
45	Times New Roman Italic «Esc»(Symbol set«Esc»(s1p«size»v1s0b16901T	<i>'ABCDEFGabcdefg0123456789&amp;!.,'</i>
46	Times New Roman Bold Italic «Esc»(Symbol set«Esc»(s1p«size»v1s3b16901T	<b><i>'ABCDEFGabcdefg0123456789&amp;!.,'</i></b>
47	Helvetica «Esc»(Symbol set«Esc»(s1p«size»v0s0b24580T	'ABCDEFGabcdefg0123456789&!.,'
48	Helvetica Bold «Esc»(Symbol set«Esc»(s1p«size»v0s3b24580T	<b>'ABCDEFGabcdefg0123456789&amp;!.,'</b>
49	Helvetica Oblique «Esc»(Symbol set«Esc»(s1p«size»v1s0b24580T	<i>'ABCDEFGabcdefg0123456789&amp;!.,'</i>
50	Helvetica Bold Oblique «Esc»(Symbol set«Esc»(s1p«size»v1s3b24580T	<b><i>'ABCDEFGabcdefg0123456789&amp;!.,'</i></b>
51	Helvetica Narrow «Esc»(Symbol set«Esc»(s1p«size»v4s0b24580T	'ABCDEFGabcdefg0123456789&!.,'
52	Helvetica Narrow Bold «Esc»(Symbol set«Esc»(s1p«size»v4s3b24580T	<b>'ABCDEFGabcdefg0123456789&amp;!.,'</b>
53	Helvetica Narrow Oblique «Esc»(Symbol set«Esc»(s1p«size»v5s0b24580T	<i>'ABCDEFGabcdefg0123456789&amp;!.,'</i>
54	Helvetica Narrow Bold Oblique «Esc»(Symbol set«Esc»(s1p«size»v5s3b24580T	<b><i>'ABCDEFGabcdefg0123456789&amp;!.,'</i></b>

## Osnovni fontovi

Položaj	Naziv fonta	Ispis uzorka
55	Palatino Roman «Esc»(Symbol set«Esc»(s1p«size»v0s0b24591T	'ABCDEFGFGabcdefg0123456789&?!.,'
56	Palatino Bold «Esc»(Symbol set«Esc»(s1p«size»v0s3b24591T	' <b>ABCDEFGFGabcdefg0123456789&amp;?!.,'</b>
57	Palatino Italic «Esc»(Symbol set«Esc»(s1p«size»v1s0b24591T	' <i>ABCDEFGFGabcdefg0123456789&amp;?!.,'</i>
58	Palatino Bold Italic «Esc»(Symbol set«Esc»(s1p«size»v1s3b24591T	' <b><i>ABCDEFGFGabcdefg0123456789&amp;?!.,'</i></b>
59	ITC Avant Garde Book «Esc»(Symbol set«Esc»(s1p«size»v0s0b24607T	'ABCDEFGFGabcdefg0123456789&?!.,'
60	ITC Avant Garde DemiBold «Esc»(Symbol set«Esc»(s1p«size»v0s2b24607T	' <b>ABCDEFGFGabcdefg0123456789&amp;?!.,'</b>
61	ITC Avant Garde Book Oblique «Esc»(Symbol set«Esc»(s1p«size»v1s0b24607T	' <i>ABCDEFGFGabcdefg0123456789&amp;?!.,'</i>
62	ITC Avant Garde DemiBold Oblique «Esc»(Symbol set«Esc»(s1p«size»v1s2b24607T	' <b><i>ABCDEFGFGabcdefg0123456789&amp;?!.,'</i></b>
63	ITC Bookman Light «Esc»(Symbol set«Esc»(s1p«size»v0s-3b24623T	'ABCDEFGFGabcdefg0123456789&?!.,'
64	ITC Bookman DemiBold «Esc»(Symbol set«Esc»(s1p«size»v0s2b24623T	' <b>ABCDEFGFGabcdefg0123456789&amp;?!.,'</b>
65	ITC Bookman Light Italic «Esc»(Symbol set«Esc»(s1p«size»v1s-3b24623T	' <i>ABCDEFGFGabcdefg0123456789&amp;?!.,'</i>
66	ITC Bookman DemiBold Italic «Esc»(Symbol set«Esc»(s1p«size»v1s2b24623T	' <b><i>ABCDEFGFGabcdefg0123456789&amp;?!.,'</i></b>
67	New Century Schoolbook Roman «Esc»(Symbol set«Esc»(s1p«size»v0s0b24703T	'ABCDEFGFGabcdefg0123456789&?!.,'
68	New Century Schoolbook Bold «Esc»(Symbol set«Esc»(s1p«size»v0s3b24703T	' <b>ABCDEFGFGabcdefg0123456789&amp;?!.,'</b>
69	New Century Schoolbook Italic «Esc»(Symbol set«Esc»(s1p«size»v1s0b24703T	' <i>ABCDEFGFGabcdefg0123456789&amp;?!.,'</i>
70	New Century Schoolbook Bold Ital «Esc»(Symbol set«Esc»(s1p«size»v1s3b24703T	' <b><i>ABCDEFGFGabcdefg0123456789&amp;?!.,'</i></b>
71	Times Roman «Esc»(Symbol set«Esc»(s1p«size»v0s0b25093T	'ABCDEFGFGabcdefg0123456789&?!.,'
72	Times Roman Bold «Esc»(Symbol set«Esc»(s1p«size»v0s3b25093T	' <b>ABCDEFGFGabcdefg0123456789&amp;?!.,'</b>



## Osnovni fontovi

Položaj	Naziv fonta	Ispis uzorka
91	Courier PS Bold «Esc»(Symbol set«Esc»(sOp«pitch»h0s3b24579T	'ABCDEFGGabcdefg0123456789&?!.,'
92	Courier PS Oblique «Esc»(Symbol set«Esc»(sOp«pitch»h1s0b24579T	'ABCDEFGGabcdefg0123456789&?!.,'
93	Courier PS Bold Oblique «Esc»(Symbol set«Esc»(sOp«pitch»h1s3b24579T	'ABCDEFGGabcdefg0123456789&?!.,'
93	Line Printer «Esc»(8U«Esc»(sOp16.67h8.48v0s0b0T	'ABCDEFGGabcdefg0123456789&?!.,'

# Popis PostScript fontova

## Interni fontovi:

AlbertusMT	ABCDEFGH abcdefg 0123456789 &?!\$,%
AlbertusMT-Italic	<i>ABCDEFGH abcdefg 0123456789 &amp;?!\$,%</i>
AlbertusMT-Light	ABCDEFGH abcdefg 0123456789 &?!\$,%
AntiqueOlive-Bold	<b>ABCDEFGH abcdefg 0123456789 &amp;?!\$,%</b>
AntiqueOlive-Compact	<b>ABCDEFGH abcdefg 0123456789 &amp;?!\$,%</b>
AntiqueOlive-Italic	<i>ABCDEFGH abcdefg 0123456789 &amp;?!\$,%</i>
AntiqueOlive-Roman	ABCDEFGH abcdefg 0123456789 &?!\$,%
Apple-Chancery	<i>ABCDEFGH abcdefg 0123456789 &amp;?!\$,%</i>
Arial-BoldItalicMT	<b><i>ABCDEFGH abcdefg 0123456789 &amp;?!\$,%</i></b>
Arial-BoldMT	<b>ABCDEFGH abcdefg 0123456789 &amp;?!\$,%</b>
Arial-ItalicMT	<i>ABCDEFGH abcdefg 0123456789 &amp;?!\$,%</i>
ArialMT	ABCDEFGH abcdefg 0123456789 &?!\$,%
AvantGarde-Book	ABCDEFGH abcdefg 0123456789 &?!\$,%
AvantGarde-BookOblique	<i>ABCDEFGH abcdefg 0123456789 &amp;?!\$,%</i>
AvantGarde-Demi	<b>ABCDEFGH abcdefg 0123456789 &amp;?!\$,%</b>
AvantGarde-DemiOblique	<b><i>ABCDEFGH abcdefg 0123456789 &amp;?!\$,%</i></b>
Bodoni	ABCDEFGH abcdefg 0123456789 &?!\$,%
Bodoni-Bold	<b>ABCDEFGH abcdefg 0123456789 &amp;?!\$,%</b>
Bodoni-BoldItalic	<b><i>ABCDEFGH abcdefg 0123456789 &amp;?!\$,%</i></b>
Bodoni-Italic	<i>ABCDEFGH abcdefg 0123456789 &amp;?!\$,%</i>
Bodoni-Poster	<b>ABCDEFGH abcdefg 0123456789 &amp;?!\$,%</b>
Bodoni-PosterCompressed	<b><i>ABCDEFGH abcdefg 0123456789 &amp;?!\$,%</i></b>
Bookman-Demi	<b>ABCDEFGH abcdefg 0123456789 &amp;?!\$,%</b>
Bookman-DemiItalic	<b><i>ABCDEFGH abcdefg 0123456789 &amp;?!\$,%</i></b>
Bookman-Light	ABCDEFGH abcdefg 0123456789 &?!\$,%
Bookman-LightItalic	<i>ABCDEFGH abcdefg 0123456789 &amp;?!\$,%</i>
Carta	*!@#%&'()*+,-./:;<=>?@ABCD EFGHIJKL MNOPQRSTUVWXYZ
Chicago	<b>ABCDEFGH abcdefg 0123456789 &amp;?!\$,%</b>
Clarendon	ABCDEFGH abcdefg 0123456789 &?!\$,%
Clarendon-Bold	<b>ABCDEFGH abcdefg 0123456789 &amp;?!\$,%</b>
Clarendon-Light	ABCDEFGH abcdefg 0123456789 &?!\$,%
CooperBlack	<b>ABCDEFGH abcdefg 0123456789 &amp;?!\$,%</b>
CooperBlack-Italic	<b><i>ABCDEFGH abcdefg 0123456789 &amp;?!\$,%</i></b>
Copperplate-ThirtyThreeBC	<b>ABCDEFGH ABCDEFGH 0123456789 &amp;?!\$,%</b>
Copperplate-ThirtyTwoBC	ABCDEFGH ABCDEFGH 0123456789 &?!\$,%
Coronet-Regular	<i>ABCDEFGH abcdefg 0123456789 &amp;?!\$,%</i>
Courier	ABCDEFGH abcdefg 0123456789 &?!\$,%
Courier-Bold	<b>ABCDEFGH abcdefg 0123456789 &amp;?!\$,%</b>
Courier-BoldOblique	<b><i>ABCDEFGH abcdefg 0123456789 &amp;?!\$,%</i></b>
Courier-Oblique	<i>ABCDEFGH abcdefg 0123456789 &amp;?!\$,%</i>
Eurostile	ABCDEFGH abcdefg 0123456789 &?!\$,%
Eurostile-Bold	<b>ABCDEFGH abcdefg 0123456789 &amp;?!\$,%</b>
Eurostile-BoldExtendedTwo	<b>ABCDEFGH abcdefg 0123456789 &amp;?!\$,%</b>
Eurostile-ExtendedTwo	ABCDEFGH abcdefg 0123456789 &?!\$,%
Geneva	ABCDEFGH abcdefg 0123456789 &?!\$,%
GillSans	ABCDEFGH abcdefg 0123456789 &?!\$,%
GillSans-Bold	<b>ABCDEFGH abcdefg 0123456789 &amp;?!\$,%</b>
GillSans-BoldCondensed	<b>ABCDEFGH abcdefg 0123456789 &amp;?!\$,%</b>
GillSans-BoldItalic	<b><i>ABCDEFGH abcdefg 0123456789 &amp;?!\$,%</i></b>
GillSans-Condensed	ABCDEFGH abcdefg 0123456789 &?!\$,%
GillSans-ExtraBold	<b>ABCDEFGH abcdefg 0123456789 &amp;?!\$,%</b>
GillSans-Italic	<i>ABCDEFGH abcdefg 0123456789 &amp;?!\$,%</i>
GillSans-Light	ABCDEFGH abcdefg 0123456789 &?!\$,%
GillSans-LightItalic	<i>ABCDEFGH abcdefg 0123456789 &amp;?!\$,%</i>
Goudy	ABCDEFGH abcdefg 0123456789 &?!\$,%
Goudy-Bold	<b>ABCDEFGH abcdefg 0123456789 &amp;?!\$,%</b>
Goudy-BoldItalic	<b><i>ABCDEFGH abcdefg 0123456789 &amp;?!\$,%</i></b>
Goudy-ExtraBold	<b>ABCDEFGH abcdefg 0123456789 &amp;?!\$,%</b>
Goudy-Italic	<i>ABCDEFGH abcdefg 0123456789 &amp;?!\$,%</i>
GreekMono737	ABCDEFGH abcdefg 0123456789 &?!\$,%
GreekMono737-Bold	<b>ABCDEFGH abcdefg 0123456789 &amp;?!\$,%</b>
GreekMono737-BoldItalic	<b><i>ABCDEFGH abcdefg 0123456789 &amp;?!\$,%</i></b>
GreekMono737-Italic	<i>ABCDEFGH abcdefg 0123456789 &amp;?!\$,%</i>
GreekMono851	ABCDEFGH abcdefg 0123456789 &?!\$,%
GreekMono851-Bold	<b>ABCDEFGH abcdefg 0123456789 &amp;?!\$,%</b>
GreekMono851-BoldItalic	<b><i>ABCDEFGH abcdefg 0123456789 &amp;?!\$,%</i></b>
GreekMono851-Italic	<i>ABCDEFGH abcdefg 0123456789 &amp;?!\$,%</i>
GreekMono8859-7	ABCDEFGH abcdefg 0123456789 &?!\$,%
GreekMono8859-7Bold	<b>ABCDEFGH abcdefg 0123456789 &amp;?!\$,%</b>

# Popis PostScript fontova

## Interni fontovi (nastavak):

GreekMono8859-7BoldItalic	<b>ABCDEFG abcdefg 0123456789 &amp;?!\$. ,</b>
GreekMono8859-7Italic	<i>ABCDEFG abcdefg 0123456789 &amp;?!\$. ,</i>
GreekSans737	ABCDEFG abcdefg 0123456789 &?!\$. ,
GreekSans737-Bold	<b>ABCDEFG abcdefg 0123456789 &amp;?!\$. ,</b>
GreekSans737-BoldItalic	<b><i>ABCDEFG abcdefg 0123456789 &amp;?!\$. ,</i></b>
GreekSans737-Italic	<i>ABCDEFG abcdefg 0123456789 &amp;?!\$. ,</i>
GreekSans851	ABCDEFG abcdefg 0123456789 &?!\$. ,
GreekSans851-Bold	<b>ABCDEFG abcdefg 0123456789 &amp;?!\$. ,</b>
GreekSans851-BoldItalic	<b><i>ABCDEFG abcdefg 0123456789 &amp;?!\$. ,</i></b>
GreekSans851-Italic	<i>ABCDEFG abcdefg 0123456789 &amp;?!\$. ,</i>
GreekSans8859-7	ABCDEFG abcdefg 0123456789 &?!\$. ,
GreekSans8859-7Bold	<b>ABCDEFG abcdefg 0123456789 &amp;?!\$. ,</b>
GreekSans8859-7BoldItalic	<b><i>ABCDEFG abcdefg 0123456789 &amp;?!\$. ,</i></b>
GreekSans8859-7Italic	<i>ABCDEFG abcdefg 0123456789 &amp;?!\$. ,</i>
GreekSerif737	ABCDEFG abcdefg 0123456789 &?!\$. ,
GreekSerif737-Bold	<b>ABCDEFG abcdefg 0123456789 &amp;?!\$. ,</b>
GreekSerif737-BoldItalic	<b><i>ABCDEFG abcdefg 0123456789 &amp;?!\$. ,</i></b>
GreekSerif737-Italic	<i>ABCDEFG abcdefg 0123456789 &amp;?!\$. ,</i>
GreekSerif851	ABCDEFG abcdefg 0123456789 &?!\$. ,
GreekSerif851-Bold	<b>ABCDEFG abcdefg 0123456789 &amp;?!\$. ,</b>
GreekSerif851-BoldItalic	<b><i>ABCDEFG abcdefg 0123456789 &amp;?!\$. ,</i></b>
GreekSerif851-Italic	<i>ABCDEFG abcdefg 0123456789 &amp;?!\$. ,</i>
GreekSerif8859-7	ABCDEFG abcdefg 0123456789 &?!\$. ,
GreekSerif8859-7Bold	<b>ABCDEFG abcdefg 0123456789 &amp;?!\$. ,</b>
GreekSerif8859-7BoldItalic	<b><i>ABCDEFG abcdefg 0123456789 &amp;?!\$. ,</i></b>
GreekSerif8859-7Italic	<i>ABCDEFG abcdefg 0123456789 &amp;?!\$. ,</i>
Helvetica	ABCDEFG abcdefg 0123456789 &?!\$. ,€
Helvetica-Bold	<b>ABCDEFG abcdefg 0123456789 &amp;?!\$. ,€</b>
Helvetica-BoldOblique	<b><i>ABCDEFG abcdefg 0123456789 &amp;?!\$. ,€</i></b>
Helvetica-Condensed	ABCDEFG abcdefg 0123456789 &?!\$. ,€
Helvetica-Condensed-Bold	<b>ABCDEFG abcdefg 0123456789 &amp;?!\$. ,€</b>
Helvetica-Condensed-BoldObli	<b><i>ABCDEFG abcdefg 0123456789 &amp;?!\$. ,€</i></b>
Helvetica-Condensed-Oblique	<i>ABCDEFG abcdefg 0123456789 &amp;?!\$. ,€</i>
Helvetica-Narrow	ABCDEFG abcdefg 0123456789 &?!\$. ,€
Helvetica-Narrow-Bold	<b>ABCDEFG abcdefg 0123456789 &amp;?!\$. ,€</b>
Helvetica-Narrow-BoldOblique	<b><i>ABCDEFG abcdefg 0123456789 &amp;?!\$. ,€</i></b>
Helvetica-Narrow-Oblique	<i>ABCDEFG abcdefg 0123456789 &amp;?!\$. ,€</i>
Helvetica-Oblique	<i>ABCDEFG abcdefg 0123456789 &amp;?!\$. ,€</i>
HoeflerText-Black	<b>ABCDEFG abcdefg 0123456789 &amp;?!\$. ,€</b>
HoeflerText-BlackItalic	<b><i>ABCDEFG abcdefg 0123456789 &amp;?!\$. ,€</i></b>
HoeflerText-Italic	<i>ABCDEFG abcdefg 0123456789 &amp;?!\$. ,€</i>
HoeflerText-Ornaments	🎨🎨🎨🎨🎨🎨🎨🎨🎨🎨🎨🎨🎨🎨🎨🎨
HoeflerText-Regular	ABCDEFG abcdefg 0123456789 &?!\$. ,€
JoannaMT	ABCDEFG abcdefg 0123456789 &?!\$. ,€
JoannaMT-Bold	<b>ABCDEFG abcdefg 0123456789 &amp;?!\$. ,€</b>
JoannaMT-BoldItalic	<b><i>ABCDEFG abcdefg 0123456789 &amp;?!\$. ,€</i></b>
JoannaMT-Italic	<i>ABCDEFG abcdefg 0123456789 &amp;?!\$. ,€</i>
LetterGothic	ABCDEFG abcdefg 0123456789 &?!\$. ,€
LetterGothic-Bold	<b>ABCDEFG abcdefg 0123456789 &amp;?!\$. ,€</b>
LetterGothic-BoldSlanted	<b><i>ABCDEFG abcdefg 0123456789 &amp;?!\$. ,€</i></b>
LetterGothic-Slanted	<i>ABCDEFG abcdefg 0123456789 &amp;?!\$. ,€</i>
LubalinGraph-Book	ABCDEFG abcdefg 0123456789 &?!\$. ,€
LubalinGraph-BookOblique	<i>ABCDEFG abcdefg 0123456789 &amp;?!\$. ,€</i>
LubalinGraph-Demi	<b>ABCDEFG abcdefg 0123456789 &amp;?!\$. ,€</b>
LubalinGraph-DemiOblique	<b><i>ABCDEFG abcdefg 0123456789 &amp;?!\$. ,€</i></b>
Marigold	ABCDEFG abcdefg 0123456789 &?!\$. ,€
MonaLisa-Recut	ABCDEFG abcdefg 0123456789 &?!\$. ,€
Monaco	ABCDEFG abcdefg 0123456789 &?!\$. ,€
NewCenturySchlbk-Bold	<b>ABCDEFG abcdefg 0123456789 &amp;?!\$. ,€</b>
NewCenturySchlbk-BoldItalic	<b><i>ABCDEFG abcdefg 0123456789 &amp;?!\$. ,€</i></b>
NewCenturySchlbk-Italic	<i>ABCDEFG abcdefg 0123456789 &amp;?!\$. ,€</i>
NewCenturySchlbk-Roman	ABCDEFG abcdefg 0123456789 &?!\$. ,€
NewYork	ABCDEFG abcdefg 0123456789 &?!\$. ,€
Optima	ABCDEFG abcdefg 0123456789 &?!\$. ,€
Optima-Bold	<b>ABCDEFG abcdefg 0123456789 &amp;?!\$. ,€</b>
Optima-BoldItalic	<b><i>ABCDEFG abcdefg 0123456789 &amp;?!\$. ,€</i></b>
Optima-Italic	<i>ABCDEFG abcdefg 0123456789 &amp;?!\$. ,€</i>
Oxford	ABCDEFG abcdefg 0123456789 &?!\$. ,€
Palatino-Bold	<b>ABCDEFG abcdefg 0123456789 &amp;?!\$. ,€</b>

# Popis PostScript fontova

## Interni fontovi (nastavak):

Palatino-BoldItalic	<i>ABCDEF G abcdefg 0123456789 &amp;?!\$,%</i>
Palatino-Italic	<i>ABCDEF G abcdefg 0123456789 &amp;?!\$,%</i>
Palatino-Roman	ABCDEF G abcdefg 0123456789 &?!\$,%
StempelGaramond-Bold	<b>ABCDEF G abcdefg 0123456789 &amp;?!\$,%</b>
StempelGaramond-BoldItalic	<b><i>ABCDEF G abcdefg 0123456789 &amp;?!\$,%</i></b>
StempelGaramond-Italic	<i>ABCDEF G abcdefg 0123456789 &amp;?!\$,%</i>
StempelGaramond-Roman	ABCDEF G abcdefg 0123456789 &?!\$,%
Symbol	ΑΒΧΔΕΦΓ αβγδεφγ 0123456789 &?!\$,%
Tekton	ABCDEF G abcdefg 0123456789 &?!\$,%
Times-Bold	<b>ABCDEF G abcdefg 0123456789 &amp;?!\$,%</b>
Times-BoldItalic	<b><i>ABCDEF G abcdefg 0123456789 &amp;?!\$,%</i></b>
Times-Italic	<i>ABCDEF G abcdefg 0123456789 &amp;?!\$,%</i>
Times-Roman	ABCDEF G abcdefg 0123456789 &?!\$,%
TimesNewRomanPS-BoldItalicMT	<b><i>ABCDEF G abcdefg 0123456789 &amp;?!\$,%</i></b>
TimesNewRomanPS-BoldMT	<b>ABCDEF G abcdefg 0123456789 &amp;?!\$,%</b>
TimesNewRomanPS-ItalicMT	<i>ABCDEF G abcdefg 0123456789 &amp;?!\$,%</i>
TimesNewRomanPSMT	ABCDEF G abcdefg 0123456789 &?!\$,%
Univers	ABCDEF G abcdefg 0123456789 &?!\$,%
Univers-Bold	<b>ABCDEF G abcdefg 0123456789 &amp;?!\$,%</b>
Univers-BoldExt	<b>ABCDEF G abcdefg 0123456789 &amp;?!\$,%</b>
Univers-BoldExtObl	<b><i>ABCDEF G abcdefg 0123456789 &amp;?!\$,%</i></b>
Univers-BoldOblique	<b><i>ABCDEF G abcdefg 0123456789 &amp;?!\$,%</i></b>
Univers-Condensed	ABCDEF G abcdefg 0123456789 &?!\$,%
Univers-CondensedBold	<b>ABCDEF G abcdefg 0123456789 &amp;?!\$,%</b>
Univers-CondensedBoldOblique	<b><i>ABCDEF G abcdefg 0123456789 &amp;?!\$,%</i></b>
Univers-CondensedOblique	<i>ABCDEF G abcdefg 0123456789 &amp;?!\$,%</i>
Univers-Extended	ABCDEF G abcdefg 0123456789 &?!\$,%
Univers-ExtendedObl	<i>ABCDEF G abcdefg 0123456789 &amp;?!\$,%</i>
Univers-Light	ABCDEF G abcdefg 0123456789 &?!\$,%
Univers-LightOblique	<i>ABCDEF G abcdefg 0123456789 &amp;?!\$,%</i>
Univers-Oblique	<i>ABCDEF G abcdefg 0123456789 &amp;?!\$,%</i>
Wingdings	Ⓐ Ⓑ Ⓒ Ⓓ Ⓔ Ⓕ Ⓖ Ⓗ Ⓘ Ⓚ Ⓛ Ⓜ Ⓝ Ⓟ Ⓠ Ⓡ Ⓢ Ⓣ Ⓤ Ⓥ Ⓦ Ⓧ Ⓨ Ⓩ ⓐ ⓑ ⓓ ⓔ ⓖ ⓗ ⓙ ⓚ ⓛ ⓞ ⓟ ⓠ ⓡ ⓢ ⓣ ⓤ ⓥ ⓦ ⓧ ⓨ ⓩ ⓪ ⓫ ⓬ ⓭ ⓮ ⓯ ⓰ ⓱ ⓲ ⓳ ⓴ ⓵ ⓶ ⓷ ⓸ ⓹ ⓺ ⓻ ⓼ ⓽ ⓾ ⓿ Ⓚ Ⓛ Ⓜ Ⓝ Ⓟ Ⓠ Ⓡ Ⓢ Ⓣ Ⓤ Ⓥ Ⓦ Ⓧ Ⓨ Ⓩ ⓐ ⓑ ⓓ ⓔ ⓖ ⓗ ⓙ ⓚ ⓛ ⓞ ⓟ ⓠ ⓡ ⓢ ⓣ ⓤ ⓥ ⓦ ⓧ ⓨ ⓩ ⓪ ⓫ ⓬ ⓭ ⓮ ⓯ ⓰ ⓱ ⓲ ⓳ ⓴ ⓵ ⓶ ⓷ ⓸ ⓹ ⓺ ⓻ ⓼ ⓽ ⓾ ⓿
Wingdings-Regular	Ⓐ Ⓑ Ⓒ Ⓓ Ⓔ Ⓕ Ⓖ Ⓗ Ⓘ Ⓚ Ⓛ Ⓜ Ⓝ Ⓟ Ⓠ Ⓡ Ⓢ Ⓣ Ⓤ Ⓥ Ⓦ Ⓧ Ⓨ Ⓩ ⓐ ⓑ ⓓ ⓔ ⓖ ⓗ ⓙ ⓚ ⓛ ⓞ ⓟ ⓠ ⓡ ⓢ ⓣ ⓤ ⓥ ⓦ ⓧ ⓨ ⓩ ⓪ ⓫ ⓬ ⓭ ⓮ ⓯ ⓰ ⓱ ⓲ ⓳ ⓴ ⓵ ⓶ ⓷ ⓸ ⓹ ⓺ ⓻ ⓼ ⓽ ⓾ ⓿
ZapfChancery-MediumItalic	<i>ABCDEF G abcdefg 0123456789 &amp;?!\$,%</i>
ZapfDingbats	⌘ Ⓜ Ⓝ Ⓟ Ⓠ Ⓡ Ⓢ Ⓣ Ⓤ Ⓥ Ⓦ Ⓧ Ⓨ Ⓩ ⓐ ⓑ ⓓ ⓔ ⓖ ⓗ ⓙ ⓚ ⓛ ⓞ ⓟ ⓠ ⓡ ⓢ ⓣ ⓤ ⓥ ⓦ ⓧ ⓨ ⓩ ⓪ ⓫ ⓬ ⓭ ⓮ ⓯ ⓰ ⓱ ⓲ ⓳ ⓴ ⓵ ⓶ ⓷ ⓸ ⓹ ⓺ ⓻ ⓼ ⓽ ⓾ ⓿

**Datos de usuario comunes**

Nombre del dispositivo:	Xerox VersaLink C625 Color MFP (A7A...
Dirección IP:	10.61.12.186
Número de serie del dispositivo:	5322480247
Línea de fax 1:	
URL del dispositivo:	https://10.61.12.186
Fecha de activación de la máquina:	Jan 01, 1970 05:30:00
Impresiones en negro:	1262
Impresiones en cian:	1019
Total de impresiones:	2281

**Perfil de dispositivo**

Código de recurso de Xerox	
Código de recurso del cliente	
Teléfono de servicio técnico:	
Número de asistencia al cliente:	
Número de teléfono de suministros:	
Administrador del sistema:	nombre del administrador del sistema no de...
Ubicación del dispositivo:	ubicación del dispositivo no definida

**Administrado por**

Servidor MB principal:

**Hardware de dispositivo**

Tarjeta de fax:	No se encuentra
Tamaño memoria fax:	0 MB
Tarjeta de interfaz de terceros:	ausente
Cantidad de RAM del dispositivo:	3904 MB
Cantidad de almacenamiento del dispa...	usados=3015MB/total=13925MB (eMMC)
Tamaño memoria EPC:	187 MB
Kit de productividad:	No instalado
Tipo de acabadora:	Bandeja de salida escalonada
Perforación de acabadora	Ninguno
Pegadoro de la acabadora:	ausente
Kit de detección de alimentación mál...	No instalado

**Configuración general**

Servicios remotos:	Activado
Descarga del software de acceso remoto:	Activado
Transm. Servicios remotos. Hora:	11:10
Xerox Workplace Cloud	Activado
Alertas de e-mail:	Desactivada
Plan de servicio:	Contador
Región geográfica	Desconocido
Diferencia horaria con GMT:	+05:30
Instalación de archivo de clonación	Permitido (solo archivos cifrados)
Uso compartido de archivos	Activado
JBIG2	Sin pérdida

**Ahorro de energía**

Reposo:	Activado
Modo de ahorro de energía:	Trabajo activado

**Sensor inteligente de proximidad**

Activar al llegar:	No está disponible
Suspender al salir:	

**Versiones de software**

Software del dispositivo:	122.024.004.35400
Versión de revisión:	Ninguno
Controlador de red:	122.024.35400
Firmware del panel de la interfaz de...	6.2
Motor de marcado:	230.315
Alimentador de documentos:	230.315
Acabadora:	000.000.000
Fax:	000.000.000
Escáner:	230.315

**Actualizaciones del dispositivo:**

Última actualización exitosa:	Permitido Diciembre 24, 2024 11:39:56
-------------------------------	--

**Bandejas del papel**

Bandeja 1:	Común, Blanco and A4 (210 x 297 mm)
Bandeja 2:	Común, Blanco and A4 (210 x 297 mm)
Bandeja 3:	Bond, Blanco and A4 (210 x 297 mm)
Bandeja 4:	Reciclado, Blanco and A4 (210 x 297 mm)
Bandeja 5:	Cartulina ligera brillante, Blanco and A4 (2...
Bandeja especial:	Común, Blanco and A4 (210 x 297 mm)

**Opciones instaladas**

PS:	Instalado
-----	-----------

**Conectividad**

**Flujos de trabajo móviles**

Impresión AirPrint:	Activado
Detección de impresión Mopria:	Activado
Escaneado de AirPrint / Mopria	Activado
Autenticación	Desactivada

**Conexiones físicas**

<b>Configuración de USB</b>	
Puertos USB tipo A	Todo activado
Puerto USB tipo B	Desactivada
<b>Conexión cableada:</b>	
Dirección Mac de Ethernet:	Activado
Opción de velocidad/dúplex de Ethernet:	56:80:0e:a7:a8:9c auto
<b>Conexión inalámbrica:</b>	
Dirección MAC inalámbrica:	Desactivada
Nombre de la red (SSID):	
BSSID:	
Modo de seguridad:	
Algoritmo de cifrado:	
Estado:	

<b>Wi-Fi Direct:</b>	Activado
Hardware inalámbrico:	No instalado
Nombre de configuración Wi-Fi protegida ...	
Punto de acceso (SSID):	
Mostrar clave en la pantalla táctil del disp...	
<b>NFC:</b>	Activado
Detección de iBeacon (Bluetooth®) para A...	Activado
Hardware de iBeacon:	No instalado
Dirección del dispositivo Bluetooth:	
Dirección IP de iBeacon:	

**Protocolos**

<b>TCP/IPv4:</b>	Activado
Dirección IP:	10.61.12.186
Máscara de subred:	255.255.255.0
Encaminador/Puerta de enlace:	10.61.12.1
Direccionamiento automático:	DHCP
Servidor DHCP:	10.61.13.224
Caducidad de concesión DHCP:	Fri Jan 10 16:35:33 2025
Difusión BOOTP:	Desactivada
Estado de dirección autoasignada:	Activado
Dirección autoasignada:	

**TCP/IPv6:**

Activado	
Enlazar dirección local:	fe80::5480:eff:fea7:a89c
Usar prefijo del encaminador:	Activado
Dirección global 1 sin estado:	fd00:0:2:112:5480:eff:fea7:a89c
Dirección global 2 sin estado:	::
Dirección manual:	
Direccionamiento DHCP:	Usar DHCP dirigido por el encaminador
Dirección DHCP:	
Puerta de enlace prefijada:	fe80::8afc:5dff:fe75:e282
DUID (identificador único de DHCP):	

**Opciones de DNS:**

Nombre de host solicitado:	XXR56800EA7A89C
Nombre del host verificado:	
Nombre de dominio solicitado:	
Nombre de dominio verificado:	
DNS multidestino:	Activado
Liberar concesiones DHCP y registros...	Desactivada
Servidor de DNS principal:	10.61.7.15
Preferir dirección IPv6 DNS sobre IPv4:	Activado

**Bonjour:**

Nombre de la impresora Bonjour:	Xerox VersaLink C625 Color MFP (A7A...
<b>HTTP:</b>	Activado
Forzar el tráfico en la conexión segura (...	Si
IPP	Activado

**SNMP**

SNMP v1/v2:	Activado
SNMP v3:	Desactivada

**LPR/LPD:**

LPR/LPD:	Activado
----------	----------

**Impresión IP sin procesar:**

**LDAP**

Servidor LDAP 1 - Dirección LDAP pri...	0.0.0.0:389
Servidor LDAP 1 - Raíz de directorio de b...	
Servidor LDAP 1 - Conexión segura (L...	Desactivada
Servidor LDAP 1 - Validar certificado del ...	Desactivada

**SMTP**

Servidor SMTP:	10.61.10.8:25
Cifrado de la conexión (TLS):	Sin cifrado
Validar el certificado del servidor ...	

**Protocolos (cont.)**

<b>POP3</b>	
Servidor POP3:	0.0.0.0:110
Conexión segura (TLS) POP3:	Desactivada
Dirección de e-mail:	
<b>NTP:</b>	Desactivada
Cliente de FTP:	Activado
Modo cliente de FTP:	Pasivo
<b>Servicios web en el dispositivo:</b>	Activado

**Aplicaciones****Imprimiendo**

Portada:	Desactivada
Hojas de errores:	Activado
Sustitución del papel:	Activado
Prioridad de bandejas:	1,2,3,4,5,6
<b>Modo de marcado de archivo</b>	Desactivada
PostScript	Instalado
Nivel:	3
Versión:	3021.101
<b>PCL</b>	
Versión:	6
Nombre de fuente:	Courier
<b>Tablas de colores personalizados</b>	Activado
Etiqueta:	No instalado
<b>Fax:</b>	No se encuentra
Línea de fax 1:	
Línea de fax 2:	

**Fax de servidor:**

Protocolo de depósitos:	SFTP
Servidor de depósitos:	10.61.23.93:22
Ruta de depósito de documentos:	\

**Escaneado de flujo de trabajo:**

<b>E-mail:</b>	Activado
<b>Escaneado a buzón:</b>	Activado
Capacidad de almacenamiento (MB):	672 MB
Almacenamiento usado (MB):	49 MB
Limpieza de carpetas públicas:	Activado
Limpieza de carpetas creadas:	Activado
Hora de limpieza:	Cada día
<b>Escaneado a base activado:</b>	Desactivada

**Escanear a:**

Servicios en la nube:	Desactivada
<b>Imprimir desde:</b>	Activado
Trabajos guardados para reimpresión:	Activado
Imprimir desde USB:	Activado
Imprimir desde buzón:	Desactivada
Servicios en la nube:	Desactivada

**Contabilidad**

Modo de contabilidad:	Ninguno
Contabilidad de red:	Desactivada

**Seguridad****Configuración de autenticación**

<b>Autenticación de interfaz del disposit...</b>	Localmente en el dispositivo
Particular:	Sin bloquear
Trabajos:	Sin bloquear
Dispositivo:	Sin bloquear
Autenticación del sitio web del disp...	Localmente en el dispositivo
Autorización:	Localmente en el dispositivo
Recuperar e-mail de LDAP:	Activado

**Servidor de autenticación:**

<b>Xerox Secure Access:</b>	Desactivada
<b>Registro de auditoría:</b>	Activado
<b>Seguridad IP (IPsec):</b>	Desactivada
<b>Filtrado IP:</b>	Desactivada

**Certificados de seguridad**

Certificado del dispositivo:	Firmado
Certificados raíz instalados:	S4
<b>802.1x:</b>	Desactivada

**Eliminación de datos del trabajo:**

Programado:	Desactivada
<b>FIPS 140-3:</b>	Desactivada

**TLS:**

Hash TLS:	TLS 1.2 y TLS 1.3
<b>Control integrado Trellix:</b>	SHA-1, SHA-256 y superior
	Desactivada

## Datos de usuario comunes

Nombre del dispositivo:	Xerox VersaLink C625 Color MFP (A7A...
Dirección IP:	10.61.12.186
Número de serie del dispositivo:	5322480247
Línea de fax 1:	
URL del dispositivo:	https://10.61.12.186
Fecha de activación de la máquina:	Jan 01, 1970 05:30:00
Impresiones en negro:	1264
Impresiones en cian:	1021
Total de impresiones:	2285

## Perfil de dispositivo

Código de recurso de Xerox	
Código de recurso del cliente	
Teléfono de servicio técnico:	
Número de asistencia al cliente:	
Número de teléfono de suministros:	
Administrador del sistema:	nombre del administrador del sistema no de...
Ubicación del dispositivo:	ubicación del dispositivo no definida
<b>Administrado por</b>	
Servidor MB principal:	

## Hardware de dispositivo

Tarjeta de fax:	No se encuentra
Tamaño memoria fax:	0 MB
Tarjeta de interfaz de terceros:	ausente
Cantidad de RAM del dispositivo:	3904 MB
Cantidad de almacenamiento del disposit...	usados=2998MB/total=13925MB (eMMC)
Tamaño memoria EPC:	187 MB
Kit de productividad:	No instalado
Tipo de acabadora:	Bandeja de salida escalonada
Perforación de acabadora	Ninguno
Plegadora de la acabadora:	ausente
Kit de detección de alimentación múlt...	No instalado

## Configuración general

Servicios remotos:	Activado
Descarga del software de acceso remoto:	Activado
Transm. Servicios remotos. Hora:	11:10
Xerox Workploe Cloud	Activado
Alertas de e-mail:	Desactivada
Plan de servicio:	Contador
Región geográfica:	Desconocido
Informe de configuración de arranque:	Activado
Diferencia horaria con GMT:	+05:30
Instalación de archivo de clonación	Permitido (solo archivos cifrados)
Permitir el envío de impresión de archivos...	Activado
Uso compartido de archivos	Activado
JBIG2	Sin pérdida
<b>Ahorro de energía</b>	
Reposo:	Activado
Modo de ahorro de energía:	Trabajo activado
Temporizador Modo suspensión:	120 minutos
Apagado automático:	Desactivada

## Versiones de software

Software del dispositivo:	122.024.004.35400
Versión de revisión:	Ninguno
Controlador de red:	122.024.35400
Firmware del panel de la interfaz de...	6.2
Interfaz de usuario:	122.024.35400
Motor de marcado:	230.315
Controlador de copia:	122.024.35400
Alimentador de documentos:	230.315
Acabadora:	000.000.000
Fax:	000.000.000
SO:	230.315
Escáner:	230.315
Actualización de software:	005.007
Actualización de software de ALTB00T	005.007
Bandeja 2:	A15.S1_B2.3
Bandeja 3:	A15.S1_B2.3
Bandeja 4:	A15.S1_B2.3
Bandeja 5:	A15.S1_B2.3
<b>Actualizaciones del dispositivo:</b>	
Última actualización exitosa:	Diciembre 24, 2024 11:39:56
Actualizaciones automáticas programa...	Desactivada
Hora de inicio de actualización auto...	Cada día
Servidor de actualizaciones automáti...	0.0.0.0:21

## Bandejas del papel

Bandeja 1:	Común, Blanco and A4 (210 x 297 mm)
Bandeja 2:	Común, Blanco and A4 (210 x 297 mm)
Bandeja 3:	Bond, Blanco and A4 (210 x 297 mm)
Bandeja 4:	Reciclado, Blanco and A4 (210 x 297 mm)
Bandeja 5:	Cartulina ligera brillante, Blanco and A4 (2...
Bandeja especial:	Común, Blanco and A4 (210 x 297 mm)

## Conectividad

### Flujos de trabajo móviles

Impresión AirPrint:	Activado
Detección de impresión Mopria:	Activado
Escaneado de AirPrint / Mopria	Activado
Autenticación	Desactivada
Impresión universal:	Desactivada
Estado de registro de la impresión u...	No registrada

### Conexiones físicas

<b>Configuración de USB</b>	
Puertos USB tipo A	Todo activado
Puerto USB tipo B	Desactivada
Tiempo de espera de conexión	5 segundos
<b>Conexión cableada:</b>	Activado
Dirección Mac de Ethernet:	56:80:0e:a7:a8:9c
Opción de velocidad/dúplex de Ethernet:	auto
<b>Conexión inalámbrica:</b>	Desactivada

Dirección MAC inalámbrica:	
Nombre de la red (SSID):	
BSSID:	
Modo de seguridad:	
Algoritmo de cifrado:	
Estado:	
<b>Wi-Fi Direct:</b>	Activado
Hardware inalámbrica:	No instalado
Nombre de configuración Wi-Fi protegida ...	
Método de conexión:	
Dirección de prefijo de la subred:	
Punto de acceso (SSID):	
Mostrar clave en la pantalla táctil del disp...	
<b>NFC:</b>	Activado
<b>Detección de iBeacon (Bluetooth®) para A...</b>	Activado
Hardware de iBeacon:	No instalado
Dirección del dispositivo Bluetooth:	
Dirección IP de iBeacon:	

## Protocolos

### TCP/IPv4:

Dirección IP:	Activado	10.61.12.186
Máscara de subred:		255.255.255.0
Encaminador/Puerta de enlace:		10.61.12.1
Direccionamiento automático:		DHCP
Servidor DHCP:		10.61.13.224
Caducidad de concesión DHCP:		Fri Jan 10 16:35:33 2025
Difusión BOOTP:		Desactivada
Estado de dirección autoasignada:		Activado
Dirección autoasignada:		

### TCP/IPv6:

Enlazar dirección local:	Activado	fe80::5480:eff:fea7:a89c
Usar prefijo del encaminador:	Activado	fd00:0:2:112:5480:eff:fea7:a89c
Dirección global 1 sin estado:		::
Dirección global 2 sin estado:		
Dirección manual:		
Direccionamiento DHCP:		Usar DHCP dirigido por el encaminador
Dirección DHCP:		
Puerta de enlace prefijada:		fe80::8afc:5dff:fe75:e282
DUID (identificador único de DHCP):		

### Opciones de DNS:

Nombre de host solicitado:	XXRS6800EA7A89C
Nombre del host verificado:	
Nombre de dominio solicitado:	
Nombre de dominio verificado:	
DNS multidespacho:	Activado
Liberar concesiones DHCP y registros...	Desactivado
Servidor de DNS principal:	10.61.7.15
Servidor DNS suplente 1:	10.61.10.6
Servidor DNS suplente 2:	::
Tiempo de espera para conexión DNS:	5
Agregar dominio de dispositivo:	Activado
Agregar dominios primarios:	Desactivado
Lista de búsqueda de dominio DNS:	XEROXQA.COM.
Preferir dirección IPv6 DNS sobre IPv4:	Activado

## Opciones instaladas

PS:	Instalado
-----	-----------

## Protocolos (cont.)

<b>Bonjour:</b>	
Nombre de la impresora Bonjour:	Xerox VersaLink C625 Color MFP (A7:A...
<b>HTTP:</b>	
Número del puerto:	80
Forzar el tráfico en la conexión segura (...):	Si
Número de puerto HTTP protegido:	443
Servidor proxy:	Manual
Dirección de servidor proxy:	10.177.8.91:8080
IPP:	Activado
Modo IPP protegido:	IPP e IPPS segura
Ruta de red IPP:	http://10.61.12.186:631
<b>SNMP</b>	
SNMP v1/v2:	Activado
SNMP v3:	Desactivado
<b>LPR/LPD:</b>	
Número del puerto:	515
Cambio de PDL:	Desactivado
Sustituir portada PDL:	Desactivado
<b>Impresión IP sin procesar:</b>	
Número de puerto 1:	Activado
9100:	9100
Bidireccional:	Desactivado
Fin de espera de trabajo:	300
Cambio de PDL:	Desactivado
<b>LDAP</b>	
Servidor LDAP 1 - Nombre descriptivo:	
Servidor LDAP 1 - Dirección LDAP pri...	0.0.0.0:389
Servidor LDAP 1 - Dirección LDAP alterna...	0.0.0.0:389
Servidor LDAP 1 - Raíz de directorio de b...	
Servidor LDAP 1 - Conexión segura (L...	Desactivado
Servidor LDAP 1 - Validar certificado del ...	Desactivado
<b>SMTP</b>	
Servidor SMTP:	10.61.10.8:25
Cifrado de la conexión (TLS):	Sin cifrado
Validar el certificado del servidor ...	
Tamaño de mensaje máximo (KB):	10240
Número de fragmentos:	1
Tamaño de trabajo total (KB):	300000
Límite de separación de trabajo:	Límite de página
Identidad para e-mails automáticos:	Ninguno
Identidad para usuario local:	Ninguno
<b>POP3</b>	
Servidor POP3:	0.0.0.0:110
Conexión segura (TLS) POP3:	Desactivado
<b>SMTP:</b>	
Servidor principal:	0.0.0.0:123
Servidor alternativo:	0.0.0.0:123
<b>SLP:</b>	
Cliente de FTP:	Activado
Modo cliente de FTP:	Pasivo
<b>Servicios web en el dispositivo:</b>	
Detección de WS:	Activado
Multidifusión de detección de WS:	Activado
Impresión de WS:	Activado
Escaneo de WS:	Activado
<b>Servicios web</b>	
Envío de copia:	Activado
Gestión del certificado digital y configura...	Activado
Registro de servicio extensible:	Activado
Límites de trabajos:	Activado
Extensión de gestión de trabajos:	Activado
Configuración del dispositivo:	Activado
Envío de escaneo:	Activado
Administración de flujos de trabajo de esc...	Activado
Datos de sesión:	Activado
Configuración de la interfaz del usu...	Activado
Configuración de Proxy de EIP:	Activado
Xerox Secure Access:	Desactivado
Configuración de SNMP de EIP:	Activado
Envío de impresión:	Activado
Gestión plantillas escaneada:	Activado
Acceso de almacenamiento masivo:	Activado
Acceso de lector de tarjetas:	Activado
Configuración de autenticación y contabil...	Activado
Exportar registro de auditoría:	Activado
Control integrado Trellix:	Activado

## Aplicaciones

## Imprimiendo

Purgado:	Desactivado
Sistema/Iniciar trabajo:	Desactivado
Eliminar trabajos retenidos después de:	3 Day(s) 0 Hour(s) 0 Minute(s)
Hojas de errores:	Activado
Sustitución del papel:	Activado
Prioridad de bandejas:	1,2,3,4,5,6
Copias prefijadas:	1
Tipo de trabajo prefijado:	Impresión de prueba
Tamaño prefijado (papel):	x=8.50 inches, y=11.00 inches
Color de papel prefijado:	Blanco
Impresión a 2 caras prefijada:	A 2 caras
Bandeja de salida prefijada:	Bandeja central
Color de salida prefijada:	Color
Juegos clasificados prefijados:	Activado
Gráfico prefijado:	Sin grapar
Desplazamiento entre trabajos:	Sin desplazar entre trabajos
Modo de marcado de archivo:	Desactivado
PostScript:	Instalado
Nivel:	3
Versión:	3021.101
Calidad de imagen:	Mejorado
<b>PCL</b>	
Versión:	6
Espaciado:	10.00
Tamaño en puntos:	12.00
Nombre de fuente:	Courier
Líneas por página:	60
Tablas de colores personalizados:	Activado
Etiqueta:	No instalado
<b>Fax:</b>	
Línea de fax 1:	No se encuentra
Línea de fax 2:	
<b>Fax de servidor:</b>	
Hoja de confirmación:	Activado
Inicio diferido:	Activado
Protocolo de depósitos:	Desactivado
Servidor de depósitos:	SFTP
Ruta de depósito de documentos:	10.61.23.93:22
<b>Escaneo de flujo de trabajo:</b>	
Hoja de confirmación:	Activado
Protocolo de depósito prefijado:	Activado
Servidor de depósito prefijado:	SMB
Ruta de depósito de documentos prefij...	10.61.23.93:445
Identidad de conexión de depósito pr...	/
Protocolo de depósitos alternativo 1:	Dispositivo
Servidor de depósitos alternativo 1:	SMB
Ruta de depósito de documentos alter...	0.0.0.0
Identidad de conexión de depósito alterna...	
Protocolo de conjuntos de flujos de ...	Dispositivo
Servidor de conjunto de flujos de tr...	SMB
Ruta de conjuntos de flujos de trabajo:	0.0.0.0
<b>E-mail:</b>	
Prefijado de dirección:	Activado
Hoja de confirmación:	rathimeenas@xeroxqa.com
Autoenviar:	Activado
Seguridad de e-mail:	Desactivado
<b>Escaneo a buzón:</b>	
Presentación prefijada de buzones:	Desactivado
Capacidad de almacenamiento (MB):	Activado
Almacenamiento usado (MB):	672 MB
Limpieza de carpetas públicas:	49 MB
Limpieza de carpetas creadas:	Activado
Hora de limpieza:	Activado
<b>Escaneo a base activado:</b>	
Nombre amistoso:	Desactivado
Nombre del flujo de trabajo:	
Autocrear subdirectorío:	Desactivado
Agregar nombre de usuario a la ruta:	Desactivado
Autocrear directorio de nombre de us...	Desactivado
<b>Escanear a:</b>	
Servicios en la nube:	Activado
<b>Imprimir desde:</b>	
Trabajos guardados para reimprimir:	Activado
Imprimir desde USB:	Activado
Imprimir desde buzón:	Desactivado
Servicios en la nube:	Desactivado

**Contabilidad**

Modo de contabilidad:	Ninguno
Contabilidad de red:	Desactivada

**Seguridad****Configuración de autenticación**

Autenticación de interfaz del dispos...	Localmente en el dispositivo
Particular:	Sin bloquear
Trabajos:	Sin bloquear
Dispositivo:	Sin bloquear
Autenticación del sitio web del disp...	Localmente en el dispositivo
Autorización:	Localmente en el dispositivo
Recuperar e-mail de LDAP:	Activado
<b>Servidor de autenticación:</b>	Kerberos
Dominio principal de Kerberos:	
Dirección principal de Kerberos:	0.0.0.0:88
Dominio alternativo 1 de Kerberos:	
Dirección alternativa 1 de Kerberos:	0.0.0.0:88
Dominio NT SMB:	
Dominio NT SMB alternativo 1:	
Servidor de controlador de tarjeta intelige...	0.0.0.0:443
Dominio de controlador de tarjeta in...	
URL OSCP de tarjeta inteligente:	
Norma de actualización del lector de...	Activado
Versión de firmware del lector de ta...	
<b>Xerox Secure Access:</b>	Desactivada
Servidor Secure Access:	0.0.0.0:443
Ruta de Secure Access:	
<b>Registro de auditoría:</b>	Activado
<b>Seguridad IP (IPsec):</b>	Desactivada
<b>Filtrado IP:</b>	Desactivada

**Certificados de seguridad**

Certificado del dispositivo:	Firmado
Certificados raíz instalados:	54
<b>802.1x:</b>	Desactivada

**Eliminación de datos del trabajo:**

Programado:	Desactivada
Frecuencia programada:	Cada mes

**FIPS 140-3:**

<b>TLS:</b>	TLS 1.2 y TLS 1.3
-------------	-------------------

Hash TLS:	SHA-1, SHA-256 y superior
-----------	---------------------------

<b>Control integrado Trellix:</b>	Desactivada
-----------------------------------	-------------

**Configuración de servicio extensible**

Navegador de tercera generación:	X3G_3.24.23_2.40.5_012_01.00.00
Versión de widget:	v1.3.17 c8 20140613
Versión de widget:	v2.5.04 g9 20240123

# Resumen de facturación

## Información del sistema

Nombre del dispositivo:	Xerox VersaLink C625 Color MFP (A7:A...	<b>Versiones de software</b>	
Número de serie del dispositivo:	5322480247	Software del dispositivo:	122.024.004.35400
Impresiones desde encendido:	81	Versión de revisión:	Ninguno
		Controlador de red:	122.024.35400
		Firmware del panel de la interfaz de usuario:	6.2
		Motor de marcado:	230.315
		Alimentador de documentos:	230.315
		Acabadora:	000.000.000
		Fax:	000.000.000
		Escáner:	230.315

## Contadores de facturación

### Fax

Imágenes de fax interno enviadas:	0
Impresiones de fax interno:	0

### Copia

Impresiones copiadas en negro:	338
Impresiones copiadas en color:	131

### Impresión

Impresiones impresas en negro:	840
Impresiones impresas en color:	865

### Escaneado

Imágenes escaneado red enviadas:	101
Imágenes correo electr enviadas:	5

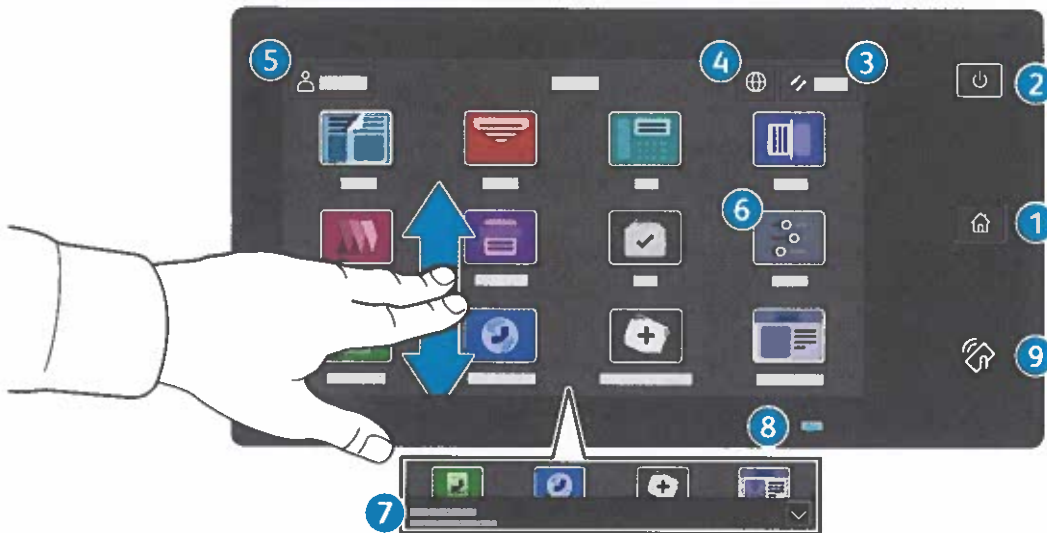
## Totales dispositivo

Impresiones en negro:	1264
Impresiones en color:	1022
Total de impresiones:	2286

Papel común:	443
Bond:	7
Reciclado:	8
Con membrete:	7
Papel estucado brillante:	6

## Panel de control

Las aplicaciones disponibles pueden variar según la configuración de su impresora. Para más información sobre las aplicaciones y funciones, consulte la *Guía del usuario*.



- 1 **Principal** vuelve a la pantalla principal de aplicaciones.
- 2 **Encendido/activación** inicia la impresora o proporciona opciones de reposo, reinicio o apagado de la impresora.
- 3 **Restaurar** restaura las opciones a los valores prefijados en todas las aplicaciones.
- 4 **Idioma** ofrece opciones del idioma en la pantalla.
- 5 **Conexión** proporciona acceso a las herramientas y opciones.
- 6 **Aplicación Dispositivo** proporciona acceso a la información y los ajustes de la impresora.
- 7 El **banner de notificaciones** muestra el estado de la impresora y las advertencias. Para ver todas las notificaciones, toque el banner. Para cerrar el banner, toque la flecha abajo.
- 8 El **LED de estado** indica el estado de la impresora. Para obtener información más detallada, consulte la *Guía del usuario*.
- 9 **Área NFC** permite el emparejamiento con dispositivos móviles para imprimir o escanear desde una aplicación.

## Aplicación Dispositivo

La aplicación Dispositivo proporciona acceso al estado de los suministros, a la información de la impresora y a las opciones. Para utilizar algunos menús y opciones se debe conectar utilizando el nombre y la clave del administrador.



## Información de facturación y uso

En el menú de funciones Dispositivo, pulse **Facturación/Usos** para ver el número de impresiones básicas. Para ver el número de uso detallado, pulse **Contadores de uso**. La lista proporciona categorías detalladas del número de impresiones.

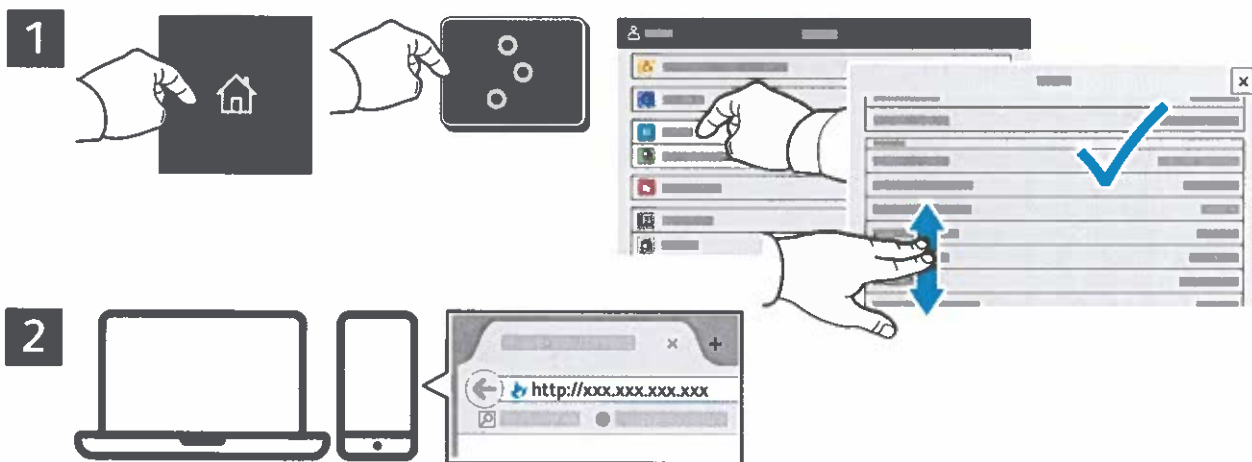


## Servidor web interno

El servidor web interno de Xerox® permite acceder a los datos de configuración de la impresora, el estado de consumibles y papel, el estado del trabajo y las funciones de diagnóstico a través de una red. También se pueden gestionar las libretas de direcciones, el correo electrónico y el fax.

Para conectarse desde un navegador web, escriba la dirección IP. La dirección IPv4 de la red está disponible en el panel de control táctil. Toque la aplicación **Dispositivo** > **Acerca de** y desplácese hacia abajo.

Para más información sobre el uso del servidor web interno, consulte la *Guía del usuario* en [Xerox.com](http://Xerox.com).



## Galería de aplicaciones

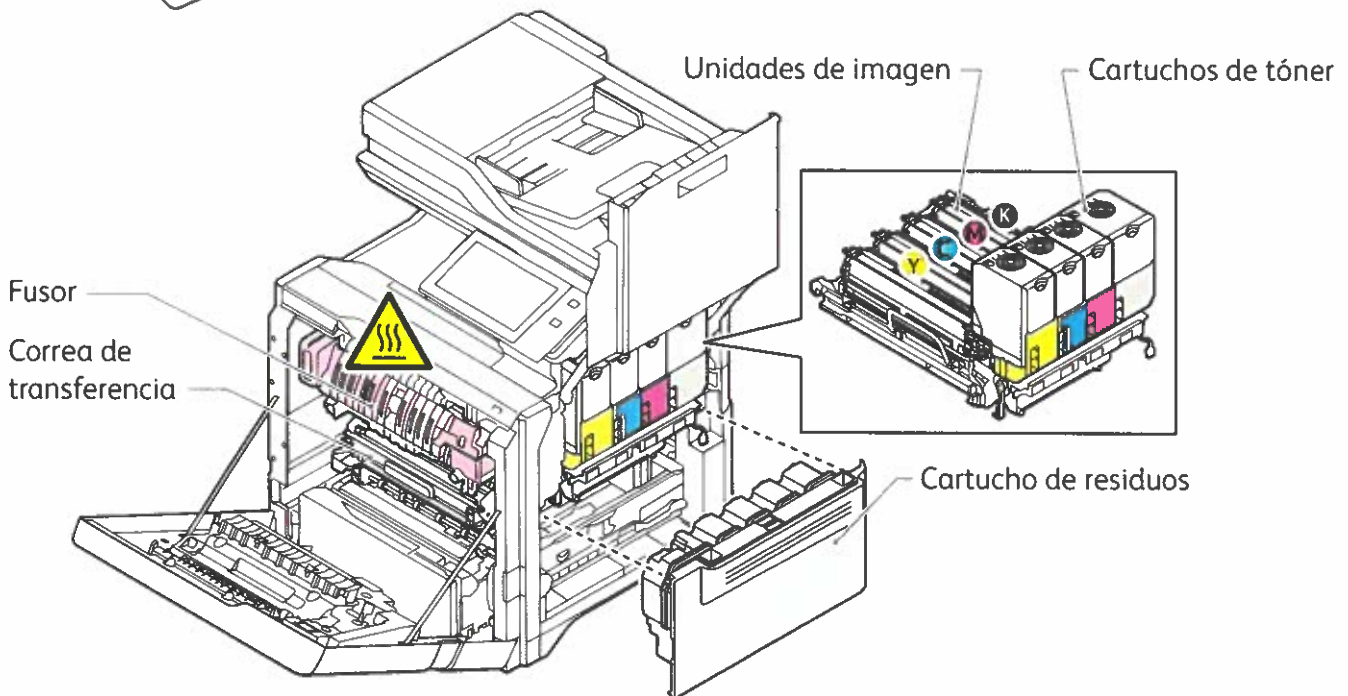
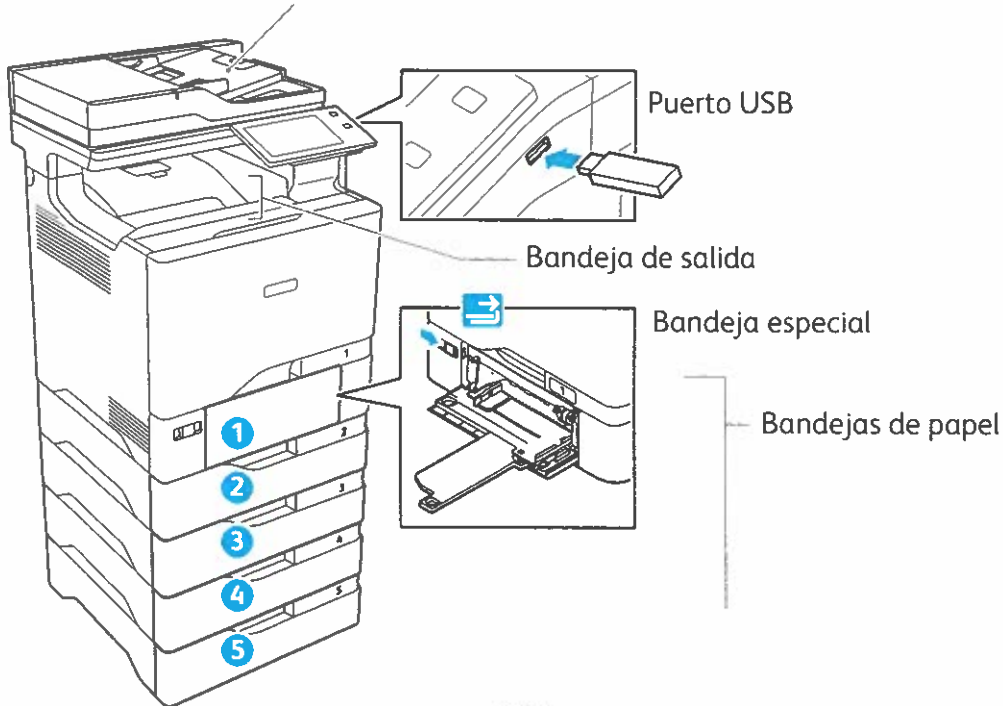
En Xerox App Gallery encontrará una amplia colección de aplicaciones de productividad que podrá instalar en su impresora. Busque la aplicación en la pantalla principal y cree su acceso directo o vaya a [www.xerox.com/appgallery](http://www.xerox.com/appgallery) para conectarse y agregar su dispositivo. Para simplificar la instalación de la aplicación, como identidad de conexión de la galería de aplicaciones utilice el mismo nombre que utilizó para conectarse a la impresora.



# Recorrido por la impresora

La configuración de su impresora puede contener accesorios opcionales. Para obtener más información, consulte la *Guía del usuario*.

Alimentador automático de documentos a dos caras de una sola pasada



## Manipulación del papel

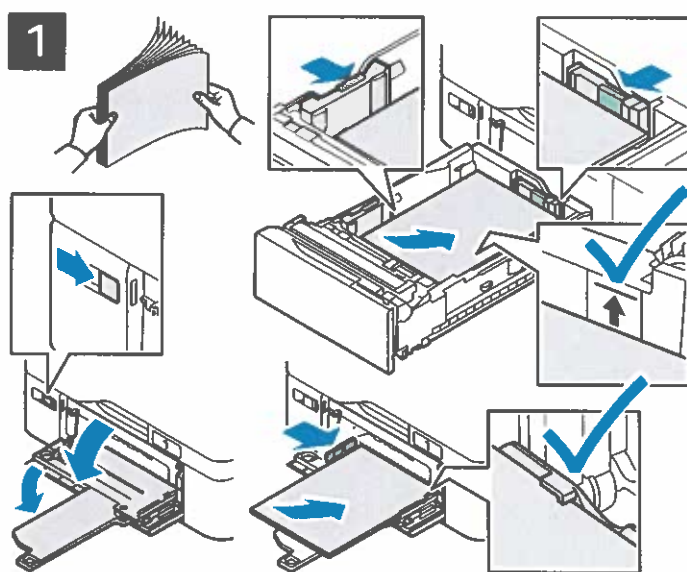
Para obtener una lista completa de los tipos de papel admitidos por su impresora, consulte Recommended Media List (Listado de soportes recomendados):

[www.xerox.com/rmlna](http://www.xerox.com/rmlna) (EE.UU. y Canadá)

[www.xerox.com/rmleu](http://www.xerox.com/rmleu) (Europa)

Para más información sobre las bandejas y el papel, consulte la *Guía del usuario*.

## Colocación del papel



Para obtener los mejores resultados, airee los bordes del papel. Coloque las guías para que se ajusten al tamaño del papel. No coloque papel por encima de la línea de capacidad máxima.

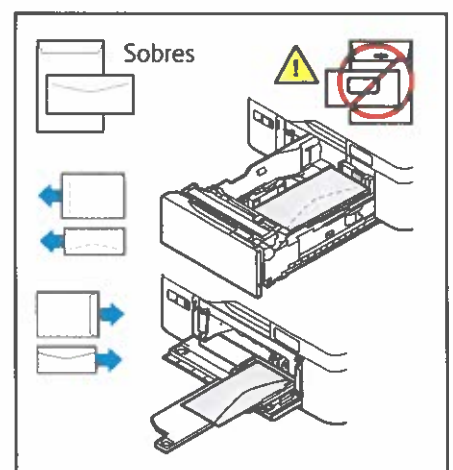
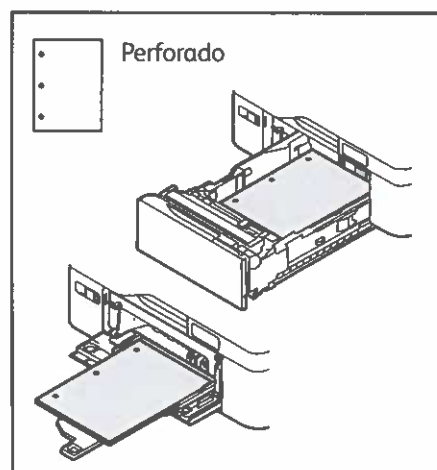
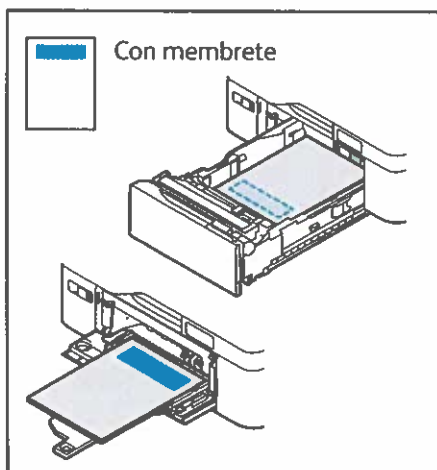


Confirme o cambie las opciones de tamaño y tipo de papel según proceda.



Al imprimir, seleccione las opciones en el controlador de impresión.

## Orientación del papel



# Copia

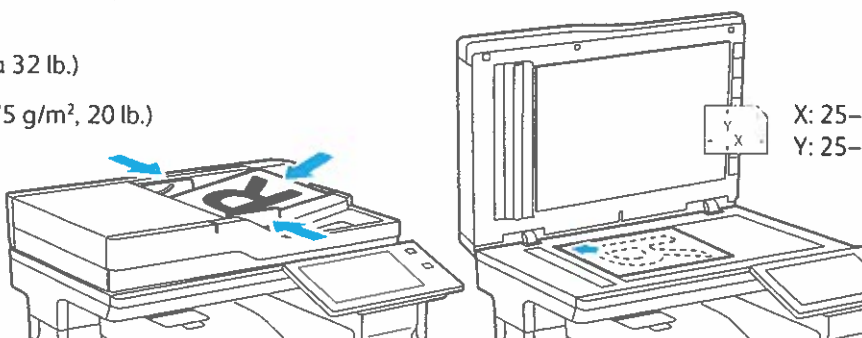
Para obtener más información, consulte la *Guía del usuario*.

1

X: 139–356 mm (5.47–14 pulg.)  
Y: 105–216 mm (4.13–8.5 pulg.)

52–120 g/m<sup>2</sup>  
(Bond de 14 lb. a 32 lb.)

≤100 (Bond de 75 g/m<sup>2</sup>, 20 lb.)



Coloque los documentos originales.

2



Pulse **Copiar** y seleccione el número de copias.

3



Seleccione las opciones de la función de la lista y pulse **Comenzar**.

Nota: las opciones de los usuarios anteriores se mantienen en la pantalla durante un breve periodo de tiempo. Para restablecer las opciones prefijadas en una aplicación, desplácese hasta la parte inferior de la lista y pulse **Restaurar**.

## Escaneado y envío por e-mail

Si la impresora se conecta a una red, puede seleccionar un destino para la imagen escaneada en el panel de control de la impresora.

En esta guía se definen los procedimientos para escanear documentos sin ninguna configuración especial previa:

- Escanear documentos y enviarlos a una dirección de envío e-mail.
- Escanear documentos y guardarlos en la carpeta de Favoritos, en un listado de la libreta de direcciones o en una unidad USB.
- Escanear documentos, guardarlos en la Carpeta pública prefijada en el disco duro de la impresora y recuperarlos a través de su navegador web.

Para más información y configuraciones de escaneado, consulte la *Guía del usuario*. Para obtener detalles sobre la libreta de direcciones y la configuración de plantillas de flujo de trabajo, consulte la *Guía del administrador del sistema*.

1



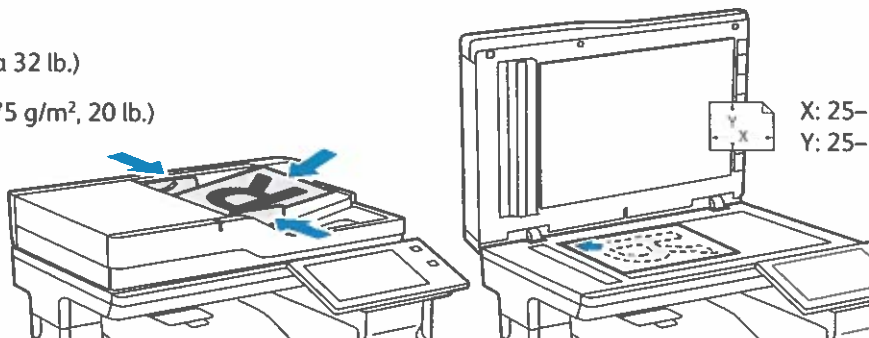
X: 139–356 mm (5.47–14 pulg.)  
Y: 105–216 mm (4.13–8.5 pulg.)



52–120 g/m<sup>2</sup>  
(Bond de 14 lb. a 32 lb.)



≤100 (Bond de 75 g/m<sup>2</sup>, 20 lb.)



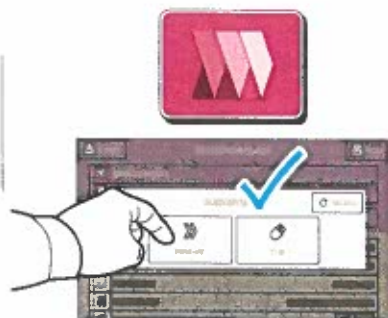
X: 25–355.6 mm (.98–14 pulg.)  
Y: 25–215.9 mm (.98–8.5 pulg.)

Coloque los documentos originales.

2

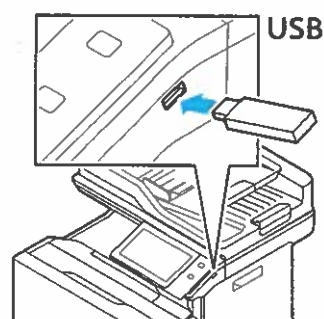


Pulse **Pantalla principal** y, para enviar la imagen escaneada por correo electrónico, toque **Correo electrónico**. Para escanear a la Carpeta pública predeterminada o a una unidad flash USB, toque **Escaneado de trabajos**. Si su destino del escaneado está almacenado en la libreta de direcciones o está guardado como favorito, toque **Escanear a**.

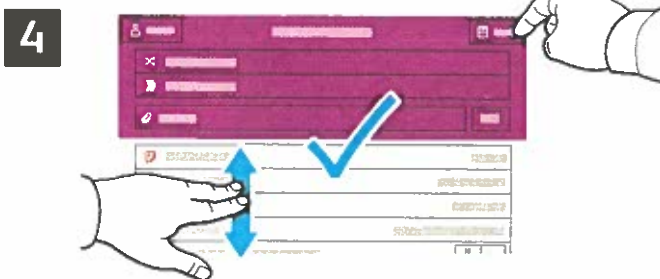


En E-mail, pulse **Entrada manual**, introduzca la dirección de e-mail utilizando el teclado de la pantalla táctil y, a continuación, pulse **Agregar**. Para agregar más de una dirección de e-mail, pulse **Agregar destinatario**. Para introducir el asunto del mensaje de e-mail, pulse **Asunto**. Para seleccionar las direcciones de e-mail guardadas, utilice la Libreta de direcciones del dispositivo o seleccione en Favoritos.

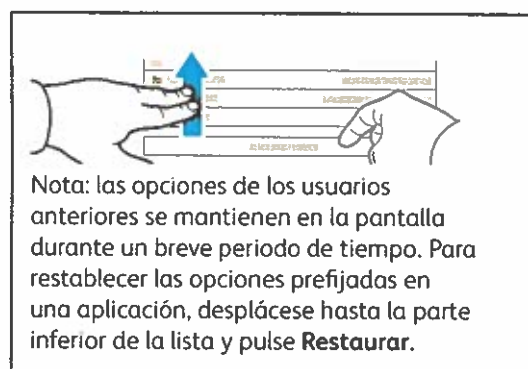
Para escaneado de trabajos, toque **Carpeta pública predeterminada** o inserte su unidad flash USB.



Para Escanear a, seleccione un tipo de destino y, después, introduzca la información correspondiente. Para agregar más de un destino a la lista, seleccione **Agregar destino**.



Modifique las opciones según sea preciso y, a continuación, pulse **Escanear** o para E-mail, pulse **Enviar**.



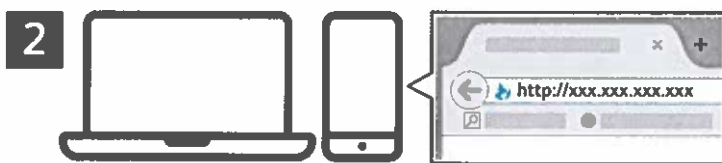
Nota: las opciones de los usuarios anteriores se mantienen en la pantalla durante un breve periodo de tiempo. Para restablecer las opciones prefijadas en una aplicación, desplácese hasta la parte inferior de la lista y pulse **Restaurar**.

# Recuperación de archivos de escaneado

Para descargar las imágenes escaneadas desde la carpeta pública predeterminada a la impresora, utilice el Servidor web integrado. Puede configurar carpetas personales y plantillas de escaneo de trabajos en el Servidor web integrado. Para obtener información más detallada, consulte la *Guía del usuario*.



Compruebe la dirección IP de la impresora en la pantalla táctil. Si la dirección IP no aparece en la parte superior de la pantalla táctil, pulse Pantalla principal, toque **Dispositivo** > **Acerca de y**, a continuación, desplácese para comprobar la dirección IP.




Escriba la dirección IP de la impresora en el navegador web y, a continuación, pulse **Intro**.



Haga clic en la pestaña **Escanear**.



Seleccione la **Carpeta pública predeterminada** y busque su imagen escaneada en la lista. Para descargar la imagen escaneada, haga clic en **Ir**.



Para actualizar la lista, haga clic en **Actualizar vista**.

Para mover el archivo a su equipo, seleccione **Descargar**.  
 Seleccione **Reimprimir** para imprimir de nuevo el archivo guardado.  
 Seleccione **Eliminar** para eliminar completamente el trabajo guardado.  
 Para abrir un directorio, seleccione **Abrir**.

## Fax

Hay cuatro maneras distintas de enviar un fax:

- **Fax:** el documento se escanea y se envía directamente a una máquina de fax.
- **Fax de servidor:** el documento se escanea y se envía a un servidor de fax, que transmite el documento a una máquina de fax.
- **Fax de Internet:** el documento se escanea y se envía a través del e-mail a un destinatario.
- **Fax de LAN** envía el trabajo de impresión actual como fax.

Para obtener más información, consulte la *Guía del usuario*. Si desea más información sobre Fax de LAN, consulte el software del controlador de impresión. Para obtener más información sobre la configuración y opciones avanzadas del fax, consulte la *Guía del administrador del sistema*.

1



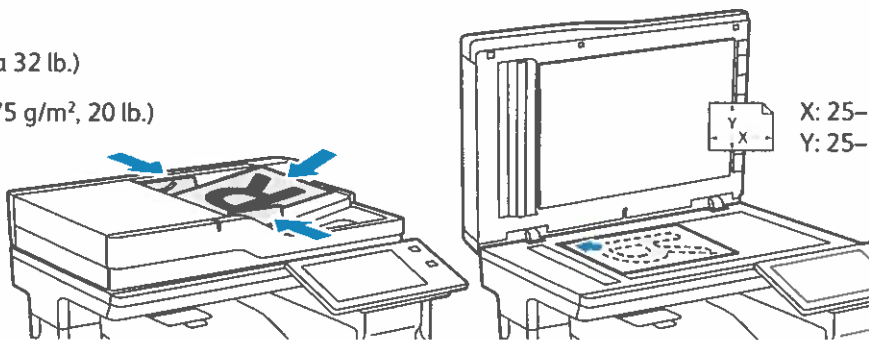
X: 139–356 mm (5.47–14 pulg.)  
Y: 105–216 mm (4.13–8.5 pulg.)



52–120 g/m<sup>2</sup>  
(Bond de 14 lb. a 32 lb.)



≤100 (Bond de 75 g/m<sup>2</sup>, 20 lb.)



X: 25–355.6 mm (.98–14 pulg.)  
Y: 25–215.9 mm (.98–8.5 pulg.)

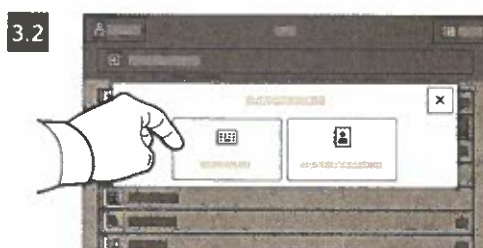
Coloque los documentos originales.

2



Para enviar el fax a una máquina de fax, pulse **Principal** y, a continuación, pulse **Fax** o **Fax de servidor**.

Para enviar el fax como documento adjunto, pulse **Principal** y, a continuación, pulse **Fax de internet**.



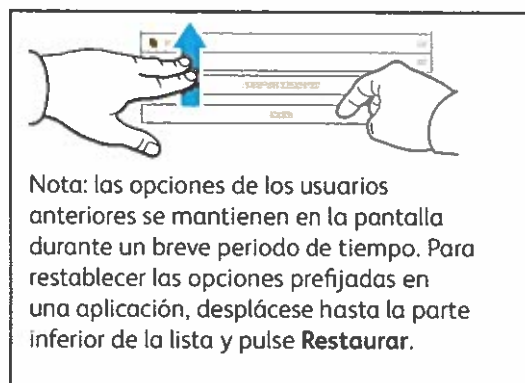
Para los números de fax, pulse **Entrada manual** y, a continuación, especifique el número de fax con las teclas alfanuméricas y caracteres especiales de la pantalla táctil. Pulse **Agregar**. Para agregar más números de fax a la lista, pulse **Agregar destinatario**.

Para introducir direcciones de e-mail de Fax de Internet, pulse **Entrada manual** e introduzca la dirección de e-mail utilizando el teclado de la pantalla táctil. Pulse **Agregar**. Para agregar más direcciones de e-mail a la lista, pulse **Agregar destinatario**.

Para seleccionar los números guardados, utilice la Libreta de direcciones del dispositivo o Favoritos. Para seleccionar las ubicaciones de faxes guardados, utilice Buzón o Sondeo.

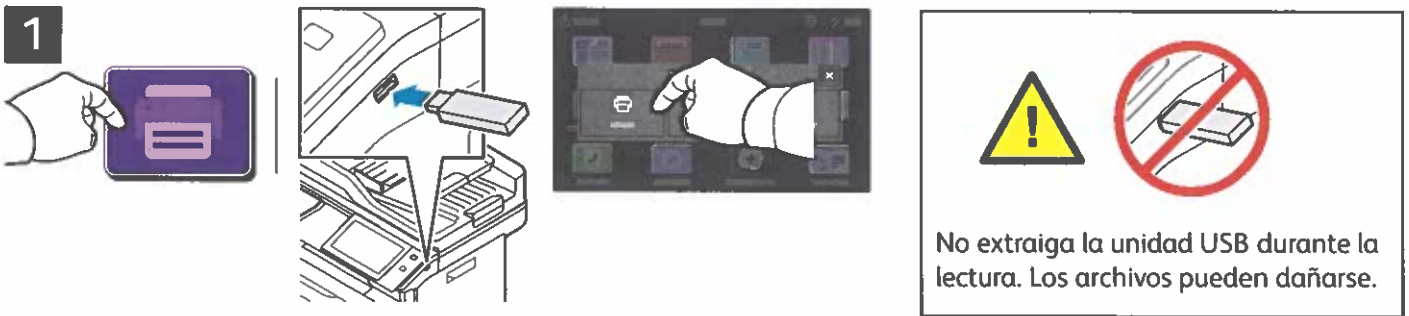


Cambie las opciones que sean necesarias y, a continuación, pulse **Enviar**.

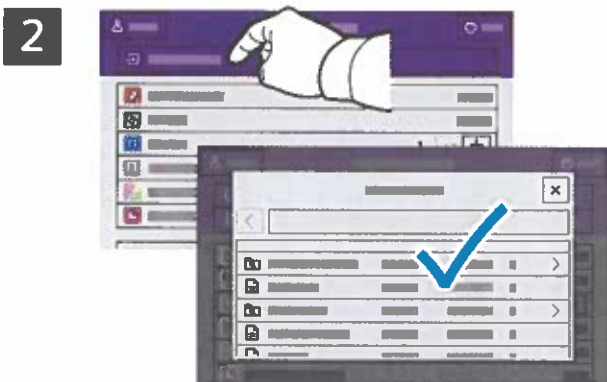


## Impresión desde una unidad USB

Puede imprimir archivos .pdf, .tiff, .ps, .xps y otros tipos directamente desde una unidad USB. Para más información, consulte la *Guía del usuario*.



Pulse **USB** o inserte la unidad flash USB y seleccione **Imprimir desde USB**.



Pulse **Agregar documento**, vaya a los archivos y selecciónelos.



Para seleccionar el número de copias, pulse el signo más (+) o el signo menos (-). Para grandes cantidades, pulse **Cantidad** e introduzca un número.



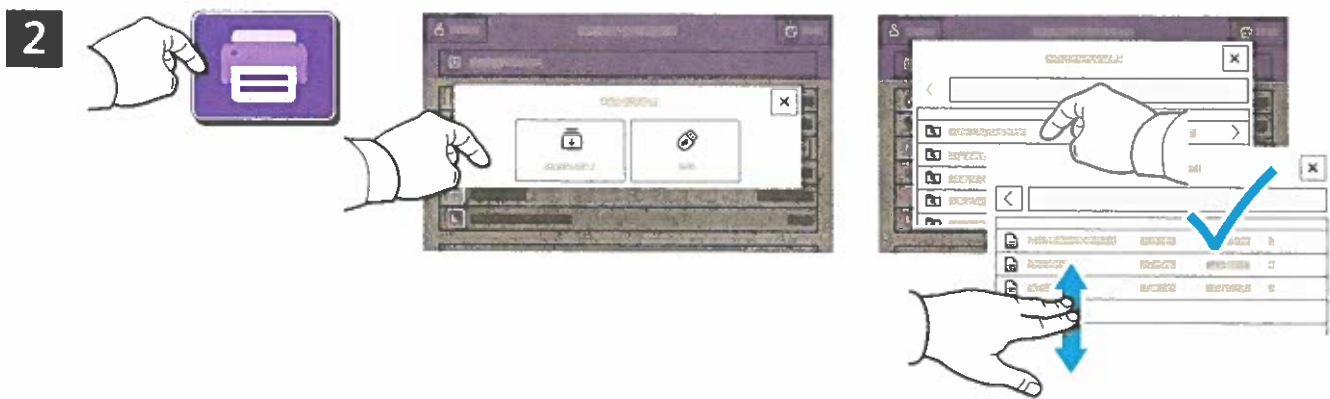
Seleccione las opciones que sean necesarias y, a continuación, pulse **Imprimir**.



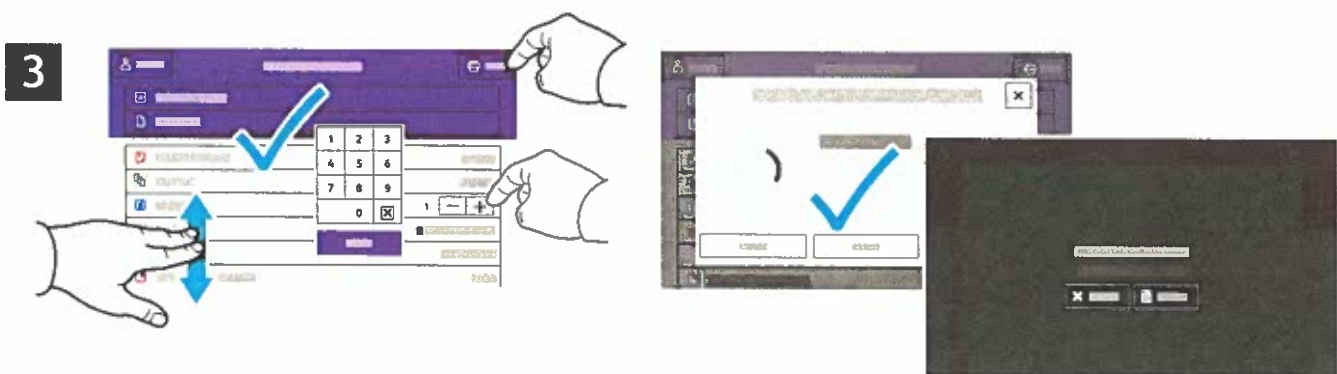
## Impresión de trabajos almacenados en la impresora



Se puede enviar un trabajo de impresión para guardarlo en la impresora y más adelante seleccionarlo desde el panel de control de la impresora para imprimirlo. Los trabajos se pueden guardar en una carpeta pública o protegerlos con clave. En el controlador de impresión Xerox®, seleccione **Propiedades** (Windows) o **Funciones Xerox** (Mac OS) y después **Tipo de trabajo**. Seleccione **Trabajo guardado** o **Impresión protegida**. En Impresión protegida, introduzca una clave. Haga clic en **Aceptar** e imprima el trabajo.



Pulse **Imprimir desde** y, a continuación, **Trabajos guardados**. Seleccione la **Carpeta pública prefijada** y, a continuación, seleccione el trabajo de impresión.



Seleccione las opciones en la lista. Para seleccionar el número de copias, pulse el signo más (+) o el signo menos (-). Para grandes cantidades, pulse **Cantidad** e introduzca un número. Pulse **Imprimir**. Para eliminar el trabajo, en la pantalla de impresión y en la pantalla de confirmación, pulse **Eliminar**.

## Solución de problemas de calidad de impresión

Su impresora multifunción a color Xerox® VersaLink® C625 se ha diseñado para realizar impresiones en color de alta calidad de forma sistemática. Si tiene problemas con la calidad de impresión, consulte la información de estas páginas para intentar solucionarlos. Para obtener más información de asistencia en línea, vaya a [www.xerox.com/office/support](http://www.xerox.com/office/support).

**PRECAUCIÓN:** los daños causados por la utilización de papel, transparencias y otros soportes de impresión especiales no recomendados no están cubiertos por la garantía, el acuerdo de servicio ni la Total Satisfaction Guarantee (Garantía de satisfacción total) de Xerox®. La Total Satisfaction Guarantee (Garantía de satisfacción total) está disponible en Estados Unidos y Canadá. La cobertura puede variar fuera de estas zonas geográficas. Póngase en contacto con su representante local si desea más información.

### Tipo de papel

**PRECAUCIÓN:** si cambia el tipo de papel de una bandeja, cámbielo también en el panel de control para que coincida. Si no cambia el tipo de papel, podría generar problemas de calidad de impresión o dañar el fusor.

Para obtener los mejores resultados, utilice solo papel y material de impresión de Xerox® recomendados. El papel y material de impresión de Xerox® están garantizados para proporcionar resultados excelentes en la impresora multifunción a color Xerox® VersaLink® C625. Para pedir el papel y material de impresión de Xerox®, vaya a [www.xerox.com/office/supplies](http://www.xerox.com/office/supplies).


Para obtener una lista completa del papel recomendado para la impresora, vaya a:

- Norteamérica: [www.xerox.com/rmlna](http://www.xerox.com/rmlna)
- Europa: [www.xerox.com/rmleu](http://www.xerox.com/rmleu)




### Solución de problemas de calidad de impresión

Utilice estas tablas para encontrar soluciones concretas a problemas de calidad de impresión.

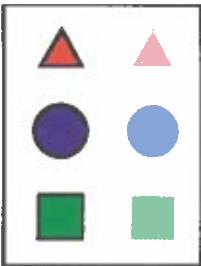
## Solución de problemas de calidad de impresión

Problema	Solución
<p><b>Fusión incompleta</b> Parece que falta tóner en la impresión o se desprende con facilidad.</p> 	<ol style="list-style-type: none"><li>1. Compruebe que el papel utilizado es del tipo correcto para la impresora y que se ha colocado correctamente. Para obtener una lista completa del papel recomendado para la impresora, vaya a:<ul style="list-style-type: none"><li>– Norteamérica: <a href="http://www.xerox.com/rmlna">www.xerox.com/rmlna</a></li><li>– Europa: <a href="http://www.xerox.com/rmleu">www.xerox.com/rmleu</a></li></ul></li><li>2. Compruebe que el tipo de papel se ha seleccionado en el panel de control y en el controlador de impresión.</li><li>3. Si el problema continúa, realice una de las acciones siguientes: <b>Nota:</b> inicie sesión como administrador del sistema para modificar el tamaño, tipo y color del papel en una bandeja exclusiva cuando el panel de control está bloqueado.<ol style="list-style-type: none"><li>a. Para las bandejas definidas como Exclusiva:<ul style="list-style-type: none"><li>• En el panel de control, toque <b>Iniciar sesión</b>. Introduzca la información de inicio de sesión de administrador y toque <b>Intro</b>. Si desea más información, consulte la <i>Guía del administrador del sistema</i>.</li><li>• Toque <b>Dispositivo &gt; Herramientas &gt; Opciones del dispositivo &gt; Gestión del papel &gt; Opciones de bandeja</b>. Seleccione la bandeja, toque <b>Editar</b> y cambie el tipo de papel.</li></ul></li><li>b. Para las bandejas definidas como totalmente ajustables:<ul style="list-style-type: none"><li>• Papel sin revestir: Papel común, cartulina ligera y cartulina para tarjeta.</li><li>• Papel estucado: Cartulina ligera brillante y cartulina brillante.</li></ul>El panel de control solicita que confirme o cambie el tipo de papel.<ul style="list-style-type: none"><li>• En la pantalla táctil, pulse <b>Tipo</b> y elija una de estas acciones:<ul style="list-style-type: none"><li>• Seleccione el tipo correcto de papel y pulse <b>Confirmar</b>.</li><li>• Seleccione el siguiente tipo de papel con más peso y pulse <b>Confirmar</b>.</li></ul></li></ul></li></ol> <b>Nota:</b> Los tipos de papel del más ligero al más pesado son:<ul style="list-style-type: none"><li>• Papel sin revestir: Papel común, cartulina ligera y cartulina para tarjeta.</li><li>• Papel estucado: Cartulina ligera brillante y cartulina brillante.</li></ul></li></ol>

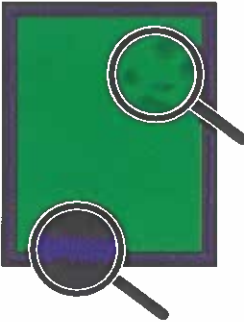

## Solución de problemas de calidad de impresión (continuación)

Problema	Solución
<p><b>Defectos repetitivos</b></p> <p>Aparecen puntos o líneas en la página a intervalos regulares, en la dirección en que se desplaza el papel en la impresora, en todos los colores o en áreas no impresas de la página.</p>  <p>Aparecen puntos o líneas en la página a intervalos regulares, en la dirección en que se desplaza el papel en la impresora, solo en un color.</p> 	<ol style="list-style-type: none"><li>1. En el panel de control, pulse <b>Dispositivo &gt; Herramientas &gt; Solución de problemas &gt; Páginas de asistencia &gt; Página defectos repetitivos &gt; Imprimir</b>. Se imprimirá la Página de defectos que se repiten, con indicaciones para identificar las unidades defectuosas.</li><li>2. Cambie los elementos identificados por la página Defectos repetitivos para resolver el problema. </li><li>3. Si sustituye un consumible, restablezca el contador:<ol style="list-style-type: none"><li>a. En el panel de control, toque <b>Iniciar sesión</b>. Introduzca la información de inicio de sesión de administrador y toque <b>Intro</b>. Si desea más información, consulte la <i>Guía del administrador del sistema</i>.</li><li>b. Pulse <b>Dispositivo &gt; Herramientas &gt; Opciones del dispositivo</b>.</li><li>c. Desplácese y pulse <b>Suministros &gt; Restauración del contador de suministros</b>.</li><li>d. Toque el <b>Consumible</b> que ha sustituido.</li><li>e. Pulse <b>Restaurar contador</b>.</li><li>f. Para cerrar la ventana emergente, pulse <b>X</b>, pulse <b>admin</b>, y seleccione <b>Desconexión</b>.</li></ol></li></ol>

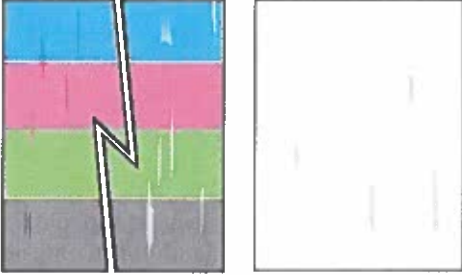
## Solución de problemas de calidad de impresión (continuación)

Problema	Solución
<p><b>Desplazamiento de imagen</b></p> <p>El desplazamiento más habitual se produce cuando el tóner parece estar reimpreso en la página a unos 95 mm (3.75 pulg.) en la dirección en que se desplaza el papel en la impresora.</p> <p><b>Nota:</b> si la distancia es diferente, utilice la página Efectos repetitivos para identificar la causa.</p> 	<ol style="list-style-type: none"><li>1. Compruebe que el papel utilizado es del tipo correcto para la impresora y que se ha colocado correctamente. Para obtener una lista completa del papel recomendado para la impresora, vaya a:<ul style="list-style-type: none"><li>– Norteamérica: <a href="http://www.xerox.com/rmlna">www.xerox.com/rmlna</a></li><li>– Europa: <a href="http://www.xerox.com/rmleu">www.xerox.com/rmleu</a></li></ul></li><li>2. Compruebe que el tipo de papel se ha seleccionado en el panel de control y en el controlador de impresión. <b>Nota:</b> inicie sesión como administrador del sistema para modificar el tamaño, tipo y color del papel en una bandeja exclusiva cuando el panel de control está bloqueado.</li><li>3. Si el problema continúa, realice una de las acciones siguientes: <b>Nota:</b> inicie sesión como administrador del sistema para modificar el tamaño, tipo y color del papel en una bandeja exclusiva cuando el panel de control está bloqueado.<ol style="list-style-type: none"><li>a. Para las bandejas definidas como Exclusiva:<ul style="list-style-type: none"><li>• En el panel de control, toque <b>Iniciar sesión</b>. Introduzca la información de inicio de sesión de administrador y toque <b>Intro</b>. Si desea más información, consulte la <i>Guía del administrador del sistema</i>.</li><li>• Toque <b>Dispositivo &gt; Herramientas &gt; Opciones del dispositivo &gt; Gestión del papel &gt; Opciones de bandeja</b>. Seleccione la bandeja, toque <b>Editar</b> y cambie el tipo de papel.</li></ul></li><li>b. Para las bandejas definidas como totalmente ajustables:<ul style="list-style-type: none"><li>• Papel sin revestir: Papel común, cartulina ligera y cartulina para tarjeta.</li><li>• Papel estucado: Cartulina ligera brillante y cartulina brillante.</li></ul>El panel de control solicita que confirme o cambie el tipo de papel.<ul style="list-style-type: none"><li>• En la pantalla táctil, pulse <b>Tipo</b> y elija una de estas acciones:<ul style="list-style-type: none"><li>• Seleccione el tipo correcto de papel y pulse <b>Confirmar</b>.</li><li>• Seleccione el siguiente tipo de papel con más peso y pulse <b>Confirmar</b>.</li></ul></li></ul></li></ol> <b>Nota:</b> Los tipos de papel del más ligero al más pesado son:<ul style="list-style-type: none"><li>• Papel sin revestir: Papel común, cartulina ligera y cartulina para tarjeta.</li><li>• Papel estucado: Cartulina ligera brillante y cartulina brillante.</li></ul></li><li>4. Para identificar la causa, utilice la página Defectos repetitivos. Para obtener más información, consulte la página anterior.</li></ol>

## Solución de problemas de calidad de impresión (continuación)

Problema	Solución
<p><b>Colores sólidos con motas o manchas</b> <b>Los negros aparecen azules</b></p> 	<ol style="list-style-type: none"><li>1. Compruebe que el papel utilizado es del tipo correcto para la impresora y que se ha colocado correctamente. Para obtener una lista completa del papel recomendado para la impresora, vaya a:<ul style="list-style-type: none"><li>– Norteamérica: <a href="http://www.xerox.com/rmlna">www.xerox.com/rmlna</a></li><li>– Europa: <a href="http://www.xerox.com/rmleu">www.xerox.com/rmleu</a></li></ul></li><li>2. Compruebe que el tipo de papel se ha seleccionado en el panel de control y en el controlador de impresión.</li></ol> <p><b>Nota:</b> Si persiste el problema, llame al servicio técnico.</p>
<p><b>Colores alineados incorrectamente</b> El color se desplaza fuera del área designada o se le superpone otro color.</p> 	<p>Abra y cierre la puerta frontal. La impresora realiza una calibración de registro automática con la siguiente impresión.</p> <p><b>Nota:</b> Si persiste el problema, llame al servicio técnico.</p>
<p><b>Todos los colores demasiado claros o demasiado oscuros</b> Los colores aparecen descoloridos o demasiado oscuros en la impresión o la copia.</p>	<ol style="list-style-type: none"><li>1. Compruebe que el papel utilizado es del tipo correcto para la impresora y que se ha colocado correctamente. Para obtener una lista completa del papel recomendado para la impresora, vaya a:<ul style="list-style-type: none"><li>– Norteamérica: <a href="http://www.xerox.com/rmlna">www.xerox.com/rmlna</a></li><li>– Europa: <a href="http://www.xerox.com/rmleu">www.xerox.com/rmleu</a></li></ul></li><li>2. Compruebe que el tipo de papel se ha seleccionado en el panel de control y en el controlador de impresión.</li></ol> <p><b>Nota:</b> Si persiste el problema, consulte la <i>Guía del usuario</i> o llame al servicio técnico.</p>

## Solución de problemas de calidad de impresión (continuación)

Problema	Solución
<p><b>Líneas, manchas o rayas</b> Aparecen marcas oscuras o claras en todos los colores y en áreas no impresas de la página.</p> 	<ol style="list-style-type: none"> <li>1. Compruebe que el papel utilizado es del tipo correcto para la impresora y que se ha colocado correctamente. Para obtener una lista completa del papel recomendado para la impresora, vaya a: <ul style="list-style-type: none"> <li>– Norteamérica: <a href="http://www.xerox.com/rmlna">www.xerox.com/rmlna</a></li> <li>– Europa: <a href="http://www.xerox.com/rmleu">www.xerox.com/rmleu</a></li> </ul> </li> <li>2. Compruebe que el tipo de papel se ha seleccionado en el panel de control y en el controlador de impresión.</li> <li>3. Para identificar la causa, consulte la página de defectos que se repiten que se imprime con la página de solución de problemas de calidad de impresión. En el panel de control, toque <b>Dispositivo &gt; Herramientas &gt; Solución de problemas &gt; Páginas de asistencia &gt; Página de defectos que se repiten &gt; Imprimir</b>.</li> <li>4. Para corregir el problema, cambie los elementos que se han identificado en la página de defectos que se repiten..</li> </ol>
<p><b>El color varía de un equipo informático a otro</b> Los colores impresos desde una estación de trabajo no coinciden con los impresos desde otra estación.</p>	<ol style="list-style-type: none"> <li>1. Confirme que las opciones del controlador de impresión de Calidad de impresión, de Corrección de color y de Color en palabras son iguales en ambos equipos.</li> <li>2. Ajuste los valores según proceda. <b>Nota:</b> los ajustes del controlador prevalecen sobre los realizados en el panel de control de la impresora.</li> </ol>
<p><b>Los colores no se corresponden</b> El color que produce la impresora es distinto del ajustado.</p>	<p>Si desea obtener más información sobre la concordancia de colores, vaya al Asistente de Ayuda en línea en <a href="http://www.xerox.com/office/support">www.xerox.com/office/support</a>.</p>
<p><b>Los colores impresos no coinciden con los del monitor</b> El color que produce la impresora parece distinto al que aparece en el monitor del equipo.</p>	<p>Para ver información sobre la concordancia de colores entre el monitor y el documento impreso, visite el Asistente de Ayuda en línea en <a href="http://www.xerox.com/office/support">www.xerox.com/office/support</a>.</p>

## Opciones de calidad de impresión

La calidad de las impresiones está directamente controlada por el Modo de calidad de impresión y las opciones de Correcciones del color. Puede cambiar estas opciones en el controlador de impresión. Seleccione la opción que mejor se ajuste a su trabajo de impresión.

### Modo de calidad de impresión

- **Mejorado** es un modo de uso general para unas impresiones en color más frescas y brillantes. El modo Mejorado combina la velocidad con la calidad.
- **Alta resolución** es un modo de alta calidad que crea líneas finas y nítidas. El modo Alta resolución se recomienda para impresiones en color vibrantes y saturadas. El modo Alta resolución equilibra la calidad sobre la velocidad.
- **Ahorro de tóner** reduce la cantidad de tóner utilizado para imprimir trabajos y es muy útil para la salida con calidad de borrador. La calidad de impresión es ligeramente inferior a la del modo Estándar.

### Correcciones del color

Las correcciones del color están disponibles en la pestaña Opciones de la imagen en el controlador de impresión. La ventana Vista previa aparece en el lado derecho de la pestaña Opciones de la imagen. Cuando se ha seleccionado la casilla de verificación Vista previa, la corrección del color aparece en la ventana Vista previa. Al seleccionar y quitar la marca de selección de la marca de verificación Vista previa, se puede comparar la imagen corregida con la imagen original.

Para ajustar las características del color de su trabajo de impresión, seleccione la pestaña Corrección del color y, a continuación, seleccione las opciones necesarias.

- **Conversión a blanco y negro de Xerox** convierte los colores a escala de grises y produce un trabajo de impresión en blanco y negro. Esta opción es útil para crear páginas maestras a blanco y negro para fotocopiar o enviar por fax.
- **Corrección del color** proporciona opciones para generar una correspondencia de colores en la impresora tan cercana como sea posible con los colores de otros dispositivos, por ejemplo, la pantalla del equipo o una prensa.
  - **Automático** aplica la mejor corrección del color a cada elemento gráfico del documento: textos, ilustraciones y fotografías.
  - **Simular pantalla LCD** aproxima el color del trabajo de impresión a los colores del monitor LCD del equipo.
  - **Pantalla sRGB** aproxima el color del trabajo de impresión a una pantalla RGB (rojo, verde, azul).
  - **No** elimina todas las correcciones del color. Es la mejor opción al trabajar con un color especificado en la aplicación o sistema operativo.
- **Color automático de Xerox** aplica la mejor corrección del color a cada elemento gráfico del documento: textos, ilustraciones y fotografías.
- **Color automático personalizado** proporciona más opciones de colores personalizados en el trabajo de impresión. Utilice una opción para ajustar el color del texto y de los gráficos. Utilice la otra opción para ajustar la corrección del color aplicada a las imágenes. Cada elemento se puede controlar con varios controles de color para simular las impresiones de distintos dispositivos de color.

Para ajustar los colores usando frases descriptivas, seleccione la pestaña **Color en palabras**. Seleccione una opción en los menús para formar una frase que describa el ajuste de color deseado. Puede formar más de una frase que se aplique al trabajo de impresión y que afecte un color o varios colores.

Para cambiar las opciones de cada parámetro de color, seleccione la pestaña **Ajustes de color** y, a continuación, ajuste los controles deslizantes. Los controles deslizantes permiten seleccionar ajustes continuos para cada una de las opciones siguientes:

- Claridad
- Contraste
- Saturación
- Cian a rojo
- Magenta a verde
- Amarillo a azul

Para obtener más información sobre la concordancia de colores y los perfiles ICC, vaya a [www.xerox.com/office/support](http://www.xerox.com/office/support).

# Uso de suministros

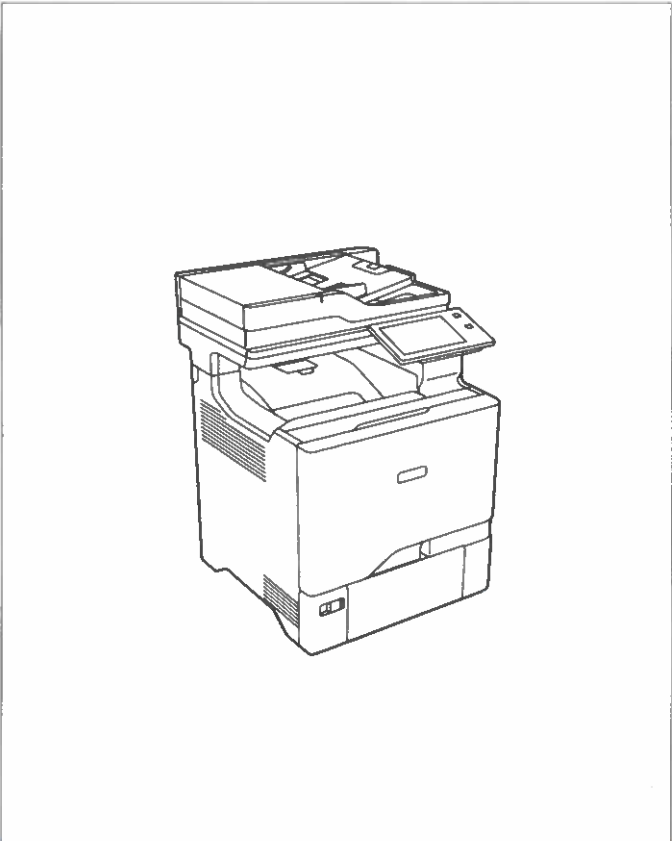
Ubicación de información para pedir suministros:  
[www.xerox.com/office/supplies](http://www.xerox.com/office/supplies)

## Consumibles

### Cartuchos de tóner



<p><b>Negro</b></p> <p>Fecha de instalación: Feb 6, 2024                  Pedir: 00                  Páginas restantes estimadas: 14500                  (Basado en la cobertura media de este cartucho de tóner: 3%)</p>	<p>Vida útil restante</p> <p>100% 50% 0%</p>
<p><b>Cian</b></p> <p>Fecha de instalación: Jan 8, 2024                  Pedir: 00                  Páginas restantes estimadas: 16000                  (Basado en la cobertura media de este cartucho de tóner: 1%)</p>	<p>Vida útil restante</p> <p>100% 50% 0%</p>
<p><b>Magenta</b></p> <p>Fecha de instalación: Nov 28, 2024                  Pedir: 00                  Páginas restantes estimadas: 16000                  (Basado en la cobertura media de este cartucho de tóner: 1%)</p>	<p>Vida útil restante</p> <p>100% 50% 0%</p>
<p><b>Amarillo</b></p> <p>Fecha de instalación: Jul 24, 2024                  Pedir: 00                  Páginas restantes estimadas: 16000                  (Basado en la cobertura media de este cartucho de tóner: 1%)</p>	<p>Vida útil restante</p> <p>100% 50% 0%</p>



## Componentes de mantenimiento básico

### Unidades de reproducción de imágenes



<p><b>Kit de generación de imágenes en negro</b></p> <p>Fecha de instalación: Feb 6, 2024                  Pedir: 4                  Páginas restantes estimadas: 150000                  (Basado en la media del tamaño de trabajos de la impresora: 1 Páginas)</p>	<p>Vida útil restante</p> <p>100% 50% 0%</p>
<p><b>Kit de generación de imágenes en color</b></p> <p>Fecha de instalación: Feb 6, 2024                  Pedir: 4                  Páginas restantes estimadas: 150000                  (Basado en la media del tamaño de trabajos de la impresora: 1 Páginas)</p>	<p>Vida útil restante</p> <p>100% 50% 0%</p>

### Contenedor de residuos



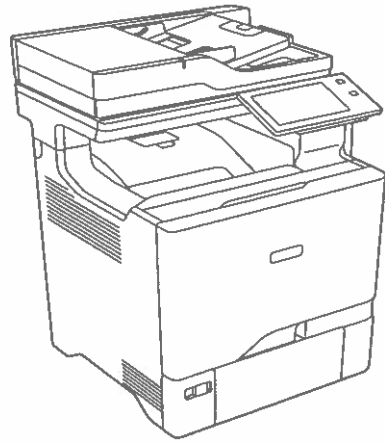
Fecha de instalación: Dec 6, 2024  
 Pedir:008

**Aceptar**








# Xerox® VersaLink® C625 Color Multifunction Printer

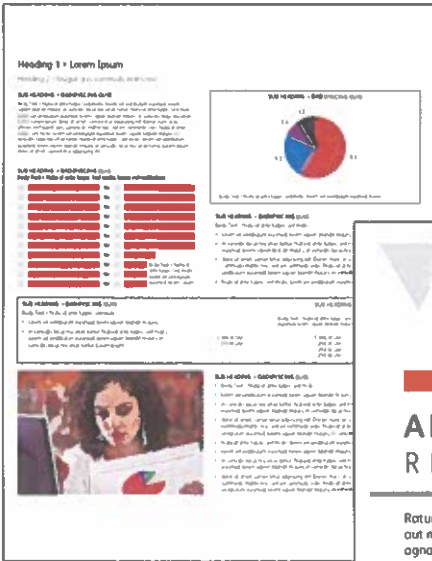
Powerful performance. Personalized productivity.

The VersaLink® C625 Color Multifunction Printer provides exceptional performance and unbeatable reliability. Cloud-connected, mobile-ready, app-enabled, and easy to customize, the C625 is your modern workplace assistant — transforming the way you work today, while ensuring you can keep up with the needs of tomorrow.



PRINT, COPY, SCAN, FAX, CLOUD

-  52 ppm Letter  
50 ppm A4
-  Solutions
-  Cloud connectivity
-  Single pass  
Two-sided scanning
-  1200 x 1200 dpi
-  Up to 2,850 pages
-  Optional: 4 additional  
paper trays



Fuentes residentes

Posición	Nombre de la fuente	Muestra de impresión
1	Courier «Esc»(Symbol set«Esc»(s0p«pitch»h0s0b4099T	'ABCDEFGabcdefg0123456789&?!.,'
2	CG Times «Esc»(Symbol set«Esc»(s1p«size»v0s0b4101T	'ABCDEFGabcdefg0123456789&?!.,'
3	CG Times Bold «Esc»(Symbol set«Esc»(s1p«size»v0s3b4101T	'ABCDEFGabcdefg0123456789&?!.,'
4	CG Times Italic «Esc»(Symbol set«Esc»(s1p«size»v1s0b4101T	'ABCDEFGabcdefg0123456789&?!.,'
5	CG Times Bold Italic «Esc»(Symbol set«Esc»(s1p«size»v1s3b4101T	'ABCDEFGabcdefg0123456789&?!.,'
6	CG Omega «Esc»(Symbol set«Esc»(s1p«size»v0s0b4113T	'ABCDEFGabcdefg0123456789&?!.,'
7	CG Omega Bold «Esc»(Symbol set«Esc»(s1p«size»v0s3b4113T	'ABCDEFGabcdefg0123456789&?!.,'
8	CG Omega Italic «Esc»(Symbol set«Esc»(s1p«size»v1s0b4113T	'ABCDEFGabcdefg0123456789&?!.,'
9	CG Omega Bold Italic «Esc»(Symbol set«Esc»(s1p«size»v1s3b4113T	'ABCDEFGabcdefg0123456789&?!.,'
10	Coronet «Esc»(Symbol set«Esc»(s1p«size»v1s0b4116T	'ABCDEFGabcdefg0123456789&?!.,'
11	Clarendon Condensed «Esc»(Symbol set«Esc»(s1p«size»v4s3b4140T	'ABCDEFGabcdefg0123456789&?!.,'
12	Univers Medium «Esc»(Symbol set«Esc»(s1p«size»v0s0b4148T	'ABCDEFGabcdefg0123456789&?!.,'
13	Univers Bold «Esc»(Symbol set«Esc»(s1p«size»v0s3b4148T	'ABCDEFGabcdefg0123456789&?!.,'
14	Univers Medium Italic «Esc»(Symbol set«Esc»(s1p«size»v1s0b4148T	'ABCDEFGabcdefg0123456789&?!.,'
15	Univers Bold Italic «Esc»(Symbol set«Esc»(s1p«size»v1s3b4148T	'ABCDEFGabcdefg0123456789&?!.,'
16	Univers Medium Condensed «Esc»(Symbol set«Esc»(s1p«size»v4s0b4148T	'ABCDEFGabcdefg0123456789&?!.,'
17	Univers Bold Condensed «Esc»(Symbol set«Esc»(s1p«size»v4s3b4148T	'ABCDEFGabcdefg0123456789&?!.,'
18	Univers Medium Condensed Italic «Esc»(Symbol set«Esc»(s1p«size»v5s0b4148T	'ABCDEFGabcdefg0123456789&?!.,'

## Fuentes residentes

Posición	Nombre de la fuente	Muestra de impresión
19	Univers Bold Condensed Italic «Esc»(Symbol set«Esc»(s1p«size»v5s3b4148T	'ABCDEFGabcdefg0123456789&?!.,'
20	Antique Olive «Esc»(Symbol set«Esc»(s1p«size»v0s0b4168T	'ABCDEFGabcdefg0123456789&?!.,'
21	Antique Olive Bold «Esc»(Symbol set«Esc»(s1p«size»v0s3b4168T	'ABCDEFGabcdefg0123456789&?!.,'
22	Antique Olive Italic «Esc»(Symbol set«Esc»(s1p«size»v1s0b4168T	'ABCDEFGabcdefg0123456789&?!.,'
23	Garamond Antiqua «Esc»(Symbol set«Esc»(s1p«size»v0s0b4197T	'ABCDEFGabcdefg0123456789&?!.,'
24	Garamond Halbfett «Esc»(Symbol set«Esc»(s1p«size»v0s3b4197T	'ABCDEFGabcdefg0123456789&?!.,'
25	Garamond Kursiv «Esc»(Symbol set«Esc»(s1p«size»v1s0b4197T	'ABCDEFGabcdefg0123456789&?!.,'
26	Garamond Kursiv Halbfett «Esc»(Symbol set«Esc»(s1p«size»v1s3b4197T	'ABCDEFGabcdefg0123456789&?!.,'
27	Marigold «Esc»(Symbol set«Esc»(s1p«size»v0s0b4297T	'ABCDEFGabcdefg0123456789&?!.,'
28	Albertus Medium «Esc»(Symbol set«Esc»(s1p«size»v0s1b4362T	'ABCDEFGabcdefg0123456789&?!.,'
29	Albertus Extra Bold «Esc»(Symbol set«Esc»(s1p«size»v0s4b4362T	'ABCDEFGabcdefg0123456789&?!.,'
30	Ryadh «Esc»(Symbol set«Esc»(s1p«size»v0s0b4859T	ABCDEFGabcdefg0123456789&?!.,'
31	Ryadh Bold «Esc»(Symbol set«Esc»(s1p«size»v0s3b4859T	ABCDEFGabcdefg0123456789&?!.,'
32	Malka «Esc»(Symbol set«Esc»(s1p«size»v0s0b16584T	ABCDEFGabcdefg0123456789&?!.,'
33	Malka Bold «Esc»(Symbol set«Esc»(s1p«size»v0s3b16584T	ABCDEFGabcdefg0123456789&?!.,'
34	Malka Italic «Esc»(Symbol set«Esc»(s1p«size»v1s0b16584T	ABCDEFGabcdefg0123456789&?!.,'
35	Dorit «Esc»(Symbol set«Esc»(s1p«size»v0s0b16585T	ABCDEFGabcdefg0123456789&?!.,'
36	Dorit Bold «Esc»(Symbol set«Esc»(s1p«size»v0s3b16585T	ABCDEFGabcdefg0123456789&?!.,'

## Fuentes residentes

Posición	Nombre de la fuente	Muestra de impresión
37	Naamit «Esc»(Symbol set«Esc»(s1p«size»v0s0b16587T	ABCDEFGabcdefg0123456789&?!.,'
38	Naamit Bold «Esc»(Symbol set«Esc»(s1p«size»v0s3b16587T	<b>ABCDEFGabcdefg0123456789&amp;?!.,'</b>
39	Arial «Esc»(Symbol set«Esc»(s1p«size»v0s0b16602T	'ABCDEFGabcdefg0123456789&?!.,'
40	Arial Bold «Esc»(Symbol set«Esc»(s1p«size»v0s3b16602T	<b>'ABCDEFGabcdefg0123456789&amp;?!.,'</b>
41	Arial Italic «Esc»(Symbol set«Esc»(s1p«size»v1s0b16602T	<i>'ABCDEFGabcdefg0123456789&amp;?!.,'</i>
42	Arial Bold Italic «Esc»(Symbol set«Esc»(s1p«size»v1s3b16602T	<b><i>'ABCDEFGabcdefg0123456789&amp;?!.,'</i></b>
43	Times New Roman «Esc»(Symbol set«Esc»(s1p«size»v0s0b16901T	'ABCDEFGabcdefg0123456789&?!.,'
44	Times New Roman Bold «Esc»(Symbol set«Esc»(s1p«size»v0s3b16901T	<b>'ABCDEFGabcdefg0123456789&amp;?!.,'</b>
45	Times New Roman Italic «Esc»(Symbol set«Esc»(s1p«size»v1s0b16901T	<i>'ABCDEFGabcdefg0123456789&amp;?!.,'</i>
46	Times New Roman Bold Italic «Esc»(Symbol set«Esc»(s1p«size»v1s3b16901T	<b><i>'ABCDEFGabcdefg0123456789&amp;?!.,'</i></b>
47	Helvetica «Esc»(Symbol set«Esc»(s1p«size»v0s0b24580T	'ABCDEFGabcdefg0123456789&?!.,'
48	Helvetica Bold «Esc»(Symbol set«Esc»(s1p«size»v0s3b24580T	<b>'ABCDEFGabcdefg0123456789&amp;?!.,'</b>
49	Helvetica Oblique «Esc»(Symbol set«Esc»(s1p«size»v1s0b24580T	<i>'ABCDEFGabcdefg0123456789&amp;?!.,'</i>
50	Helvetica Bold Oblique «Esc»(Symbol set«Esc»(s1p«size»v1s3b24580T	<b><i>'ABCDEFGabcdefg0123456789&amp;?!.,'</i></b>
51	Helvetica Narrow «Esc»(Symbol set«Esc»(s1p«size»v4s0b24580T	'ABCDEFGabcdefg0123456789&?!.,'
52	Helvetica Narrow Bold «Esc»(Symbol set«Esc»(s1p«size»v4s3b24580T	<b>'ABCDEFGabcdefg0123456789&amp;?!.,'</b>
53	Helvetica Narrow Oblique «Esc»(Symbol set«Esc»(s1p«size»v5s0b24580T	<i>'ABCDEFGabcdefg0123456789&amp;?!.,'</i>
54	Helvetica Narrow Bold Oblique «Esc»(Symbol set«Esc»(s1p«size»v5s3b24580T	<b><i>'ABCDEFGabcdefg0123456789&amp;?!.,'</i></b>

## Fuentes residentes

Posición	Nombre de la fuente	Muestra de impresión
55	Palatino Roman «Esc»(Symbol set«Esc»(s1p«size»v0s0b24591T	'ABCDEFGabcdefg0123456789&!.,'
56	Palatino Bold «Esc»(Symbol set«Esc»(s1p«size»v0s3b24591T	'ABCDEFGabcdefg0123456789&!.,'
57	Palatino Italic «Esc»(Symbol set«Esc»(s1p«size»v1s0b24591T	'ABCDEFGabcdefg0123456789&!.,'
58	Palatino Bold Italic «Esc»(Symbol set«Esc»(s1p«size»v1s3b24591T	'ABCDEFGabcdefg0123456789&!.,'
59	ITC Avant Garde Book «Esc»(Symbol set«Esc»(s1p«size»v0s0b24607T	'ABCDEFGabcdefg0123456789&!.,'
60	ITC Avant Garde DemiBold «Esc»(Symbol set«Esc»(s1p«size»v0s2b24607T	'ABCDEFGabcdefg0123456789&!.,'
61	ITC Avant Garde Book Oblique «Esc»(Symbol set«Esc»(s1p«size»v1s0b24607T	'ABCDEFGabcdefg0123456789&!.,'
62	ITC Avant Garde DemiBold Oblique «Esc»(Symbol set«Esc»(s1p«size»v1s2b24607T	'ABCDEFGabcdefg0123456789&!.,'
63	ITC Bookman Light «Esc»(Symbol set«Esc»(s1p«size»v0s-3b24623T	'ABCDEFGabcdefg0123456789&!.,'
64	ITC Bookman DemiBold «Esc»(Symbol set«Esc»(s1p«size»v0s2b24623T	'ABCDEFGabcdefg0123456789&!.,'
65	ITC Bookman Light Italic «Esc»(Symbol set«Esc»(s1p«size»v1s-3b24623T	'ABCDEFGabcdefg0123456789&!.,'
66	ITC Bookman DemiBold Italic «Esc»(Symbol set«Esc»(s1p«size»v1s2b24623T	'ABCDEFGabcdefg0123456789&!.,'
67	New Century Schoolbook Roman «Esc»(Symbol set«Esc»(s1p«size»v0s0b24703T	'ABCDEFGabcdefg0123456789&!.,'
68	New Century Schoolbook Bold «Esc»(Symbol set«Esc»(s1p«size»v0s3b24703T	'ABCDEFGabcdefg0123456789&!.,'
69	New Century Schoolbook Italic «Esc»(Symbol set«Esc»(s1p«size»v1s0b24703T	'ABCDEFGabcdefg0123456789&!.,'
70	New Century Schoolbook Bold Ital «Esc»(Symbol set«Esc»(s1p«size»v1s3b24703T	'ABCDEFGabcdefg0123456789&!.,'
71	Times Roman «Esc»(Symbol set«Esc»(s1p«size»v0s0b25093T	'ABCDEFGabcdefg0123456789&!.,'
72	Times Roman Bold «Esc»(Symbol set«Esc»(s1p«size»v0s3b25093T	'ABCDEFGabcdefg0123456789&!.,'

## Fuentes residentes

Posición	Nombre de la fuente	Muestra de impresión
73	Times Roman Italic «Esc»(Symbol set«Esc»(s1p«size»v1s0b25093T	'ABCDEFGFGabcdfg0123456789&?!.,'
74	Times Bold Italic «Esc»(Symbol set«Esc»(s1p«size»v1s3b25093T	'ABCDEFGFGabcdfg0123456789&?!.,'
75	Zapf Chancery Medium Italic «Esc»(Symbol set«Esc»(s1p«size»v1s0b45099T	'ABCDEFJGabcdfg0123456789ϕ?!.,'
76	Symbol «Esc»(19M«Esc»(s1p«size»v0s0b16686T	⟨αβχδεφγηιφκλμνοπθρστυωξψζθς⟩
77	Symbol PS «Esc»(19M«Esc»(s1p«size»v0s0b45358T	⟨αβχδεφγηιφκλμνοπθρστυωξψζθς⟩
78	Wingdings «Esc»(579L«Esc»(s1p«size»v0s0b31402T	☪☐☑☒☓☔☕☖☗☘☙☚☛☜☝☞☟☠☡☢☣☤☥☦☧☨☩☪☫☬☭☮☯☰☱☲☳☴☵☶☷☸☹☺☻☼☽☾☿☿
79	Zapf Dingbats «Esc»(14L«Esc»(s1p«size»v0s0b45101T	☪☤☥☦☧☨☩☪☫☬☭☮☯☰☱☲☳☴☵☶☷☸☹☺☻☼☽☾☿☿
80	Courier Bold «Esc»(Symbol set«Esc»(s0p«pitch»h0s3b4099T	'ABCDEFGFGabcdfg0123456789&?!.,'
81	Courier Italic «Esc»(Symbol set«Esc»(s0p«pitch»h1s0b4099T	'ABCDEFGFGabcdfg0123456789&?!.,'
82	Courier Bold Italic «Esc»(Symbol set«Esc»(s0p«pitch»h1s3b4099T	'ABCDEFGFGabcdfg0123456789&?!.,'
83	Letter Gothic «Esc»(Symbol set«Esc»(s0p«pitch»h0s0b4102T	'ABCDEFGFGabcdfg0123456789&?!.,'
84	Letter Gothic Bold «Esc»(Symbol set«Esc»(s0p«pitch»h0s3b4102T	'ABCDEFGFGabcdfg0123456789&?!.,'
85	Letter Gothic Italic «Esc»(Symbol set«Esc»(s0p«pitch»h1s0b4102T	'ABCDEFGFGabcdfg0123456789&?!.,'
86	Naskh «Esc»(Symbol set«Esc»(s0p«pitch»h0s0b4124T	ABCDEFGabcdfg0123456789&?!.,'
87	Naskh Bold «Esc»(Symbol set«Esc»(s0p«pitch»h0s3b4124T	ABCDEFGabcdfg0123456789&?!.,'
88	Koufi «Esc»(Symbol set«Esc»(s0p«pitch»h0s0b4264T	ABCDEFGabcdfg0123456789&?!.,'
89	Koufi Bold «Esc»(Symbol set«Esc»(s0p«pitch»h0s3b4264T	ABCDEFGabcdfg0123456789&?!.,'
90	Courier PS «Esc»(Symbol set«Esc»(s0p«pitch»h0s0b24579T	'ABCDEFGFGabcdfg0123456789&?!.,'


Fuentes residentes

Posición	Nombre de la fuente	Muestra de impresión
91	Courier PS Bold «Esc»(Symbol set«Esc»(s0p«pitch»h0s3b24579T	' <b>ABCDEFGGabcdefg0123456789&amp;?!.,'</b>
92	Courier PS Oblique «Esc»(Symbol set«Esc»(s0p«pitch»h1s0b24579T	' <i>ABCDEFGGabcdefg0123456789&amp;?!.,'</i>
93	Courier PS Bold Oblique «Esc»(Symbol set«Esc»(s0p«pitch»h1s3b24579T	' <b><i>ABCDEFGGabcdefg0123456789&amp;?!.,'</i></b>
93	Line Printer «Esc»(8U«Esc»(s0p16.67h8.48v0s0b0T	'ABCDEFGGabcdefg0123456789&?!.,'



# Lista de fuentes PostScript

## Fuentes internas (continuación):

GreekMono8859-7BoldItalic	<b>ABCDEF G abcdefg 0123456789 €?!\$. ,</b>
GreekMono8859-7Italic	<i>ABCDEF G abcdefg 0123456789 €?!\$. ,</i>
GreekSans737	<b>ABCDEF G abcdefg 0123456789 &amp;?!\$. ,</b>
GreekSans737-Bold	<b>ABCDEF G abcdefg 0123456789 &amp;?!\$. ,</b>
GreekSans737-BoldItalic	<b>ABCDEF G abcdefg 0123456789 &amp;?!\$. ,</b>
GreekSans737-Italic	<i>ABCDEF G abcdefg 0123456789 &amp;?!\$. ,</i>
GreekSans851	<b>ABCDEF G abcdefg 0123456789 &amp;?!\$. ,</b>
GreekSans851-Bold	<b>ABCDEF G abcdefg 0123456789 &amp;?!\$. ,</b>
GreekSans851-BoldItalic	<b>ABCDEF G abcdefg 0123456789 &amp;?!\$. ,</b>
GreekSans851-Italic	<i>ABCDEF G abcdefg 0123456789 &amp;?!\$. ,</i>
GreekSans8859-7	<b>ABCDEF G abcdefg 0123456789 &amp;?!\$. ,</b>
GreekSans8859-7Bold	<b>ABCDEF G abcdefg 0123456789 &amp;?!\$. ,</b>
GreekSans8859-7BoldItalic	<b>ABCDEF G abcdefg 0123456789 &amp;?!\$. ,</b>
GreekSans8859-7Italic	<i>ABCDEF G abcdefg 0123456789 &amp;?!\$. ,</i>
GreekSerif737	<b>ABCDEF G abcdefg 0123456789 &amp;?!\$. ,</b>
GreekSerif737-Bold	<b>ABCDEF G abcdefg 0123456789 &amp;?!\$. ,</b>
GreekSerif737-BoldItalic	<b>ABCDEF G abcdefg 0123456789 &amp;?!\$. ,</b>
GreekSerif737-Italic	<i>ABCDEF G abcdefg 0123456789 &amp;?!\$. ,</i>
GreekSerif851	<b>ABCDEF G abcdefg 0123456789 &amp;?!\$. ,</b>
GreekSerif851-Bold	<b>ABCDEF G abcdefg 0123456789 &amp;?!\$. ,</b>
GreekSerif851-BoldItalic	<b>ABCDEF G abcdefg 0123456789 &amp;?!\$. ,</b>
GreekSerif851-Italic	<i>ABCDEF G abcdefg 0123456789 &amp;?!\$. ,</i>
GreekSerif8859-7	<b>ABCDEF G abcdefg 0123456789 &amp;?!\$. ,</b>
GreekSerif8859-7Bold	<b>ABCDEF G abcdefg 0123456789 &amp;?!\$. ,</b>
GreekSerif8859-7BoldItalic	<b>ABCDEF G abcdefg 0123456789 &amp;?!\$. ,</b>
GreekSerif8859-7Italic	<i>ABCDEF G abcdefg 0123456789 &amp;?!\$. ,</i>
Helvetica	<b>ABCDEF G abcdefg 0123456789 &amp;?!\$. ,€</b>
Helvetica-Bold	<b>ABCDEF G abcdefg 0123456789 &amp;?!\$. ,€</b>
Helvetica-BoldOblique	<b>ABCDEF G abcdefg 0123456789 &amp;?!\$. ,€</b>
Helvetica-Condensed	<b>ABCDEF G abcdefg 0123456789 &amp;?!\$. ,€</b>
Helvetica-Condensed-Bold	<b>ABCDEF G abcdefg 0123456789 &amp;?!\$. ,€</b>
Helvetica-Condensed-BoldOblique	<b>ABCDEF G abcdefg 0123456789 &amp;?!\$. ,€</b>
Helvetica-Condensed-Oblique	<i>ABCDEF G abcdefg 0123456789 &amp;?!\$. ,€</i>
Helvetica-Narrow	<b>ABCDEF G abcdefg 0123456789 &amp;?!\$. ,€</b>
Helvetica-Narrow-Bold	<b>ABCDEF G abcdefg 0123456789 &amp;?!\$. ,€</b>
Helvetica-Narrow-BoldOblique	<b>ABCDEF G abcdefg 0123456789 &amp;?!\$. ,€</b>
Helvetica-Narrow-Oblique	<i>ABCDEF G abcdefg 0123456789 &amp;?!\$. ,€</i>
Helvetica-Oblique	<i>ABCDEF G abcdefg 0123456789 &amp;?!\$. ,€</i>
HoeflerText-Black	<b>ABCDEF G abcdefg 0123456789 &amp;?!\$. ,€</b>
HoeflerText-BlackItalic	<i>ABCDEF G abcdefg 0123456789 &amp;?!\$. ,€</i>
HoeflerText-Italic	<i>ABCDEF G abcdefg 0123456789 &amp;?!\$. ,€</i>
HoeflerText-Ornaments	
HoeflerText-Regular	<b>ABCDEF G abcdefg 0123456789 &amp;?!\$. ,€</b>
JoannaMT	<b>ABCDEF G abcdefg 0123456789 &amp;?!\$. ,€</b>
JoannaMT-Bold	<b>ABCDEF G abcdefg 0123456789 &amp;?!\$. ,€</b>
JoannaMT-BoldItalic	<b>ABCDEF G abcdefg 0123456789 &amp;?!\$. ,€</b>
JoannaMT-Italic	<i>ABCDEF G abcdefg 0123456789 &amp;?!\$. ,€</i>
LetterGothic	<b>ABCDEF G abcdefg 0123456789 &amp;?!\$. ,€</b>
LetterGothic-Bold	<b>ABCDEF G abcdefg 0123456789 &amp;?!\$. ,€</b>
LetterGothic-BoldSlanted	<b>ABCDEF G abcdefg 0123456789 &amp;?!\$. ,€</b>
LetterGothic-Slanted	<i>ABCDEF G abcdefg 0123456789 &amp;?!\$. ,€</i>
LubalinGraph-Book	<b>ABCDEF G abcdefg 0123456789 &amp;?!\$. ,€</b>
LubalinGraph-BookOblique	<i>ABCDEF G abcdefg 0123456789 &amp;?!\$. ,€</i>
LubalinGraph-Demi	<b>ABCDEF G abcdefg 0123456789 &amp;?!\$. ,€</b>
LubalinGraph-DemiOblique	<i>ABCDEF G abcdefg 0123456789 &amp;?!\$. ,€</i>
Marigold	<b>ABCDEF G abcdefg 0123456789 &amp;?!\$. ,€</b>
MonaLisa-Recut	<b>ABCDEF G abcdefg 0123456789 &amp;?!\$. ,€</b>
Monaco	<b>ABCDEF G abcdefg 0123456789 &amp;?!\$. ,€</b>
NewCenturySchlbk-Bold	<b>ABCDEF G abcdefg 0123456789 &amp;?!\$. ,€</b>
NewCenturySchlbk-BoldItalic	<b>ABCDEF G abcdefg 0123456789 &amp;?!\$. ,€</b>
NewCenturySchlbk-Italic	<i>ABCDEF G abcdefg 0123456789 &amp;?!\$. ,€</i>
NewCenturySchlbk-Roman	<b>ABCDEF G abcdefg 0123456789 &amp;?!\$. ,€</b>
NewYork	<b>ABCDEF G abcdefg 0123456789 &amp;?!\$. ,€</b>
Optima	<b>ABCDEF G abcdefg 0123456789 &amp;?!\$. ,€</b>
Optima-Bold	<b>ABCDEF G abcdefg 0123456789 &amp;?!\$. ,€</b>
Optima-BoldItalic	<b>ABCDEF G abcdefg 0123456789 &amp;?!\$. ,€</b>
Optima-Italic	<i>ABCDEF G abcdefg 0123456789 &amp;?!\$. ,€</i>
Oxford	<b>ABCDEF G abcdefg 0123456789 &amp;?!\$. ,€</b>
Palatino-Bold	<b>ABCDEF G abcdefg 0123456789 &amp;?!\$. ,€</b>



**Common User Data**

Machine Name: Xerox VersaLink C625 Color MFP (A7:A...  
 IP Address: 10.61.12.186  
 Machine Serial Number: 5322480247  
 Fax Line1:  
 Machine URL: https://10.61.12.186  
 Machine Activation Date: Jan 01, 1970 05:30:00  
 Black Impressions: 1273  
 Color Impressions: 1051  
 Total Impressions: 2324

**Machine Profile**

Xerox Asset Tag:  
 Customer Asset Tag:  
 Service Phone Number:  
 Customer Support Number:  
 Supplies Phone Number:  
 System Administrator:  
 Machine Location:  
 System Administrator name not set  
 machine location not set

**Managed By**

Primary MB Server:

**Machine Hardware**

Fax Card: Not Present  
 Fax Memory Size: 0 MB  
 Foreign Interface Card: not present  
 Device RAM Size: 3904 MB  
 Device Storage Size: used=2998MB/total=13925MB (eMMC)  
 EPC Memory Size: 187 MB  
 Productivity Kit: Not Installed  
 Finisher Type: Simple Catch Tray  
 Finisher Punch: None  
 Finisher Folder: not present  
 Multi-feed Detection Kit: Not Installed

**General Setup**

Remote Services: Enabled  
 Remote Software Download: Enabled  
 Remote Services Trans. Time: 11:10  
 Xerox Workplace Cloud: Enabled  
 E-mail Alerts: Disabled  
 Service Plan: Metered  
 Geographic Region: unknown  
 GMT Offset: +05:30  
 Cloning Installation: Allowed (Encrypted Files Only)  
 File Sharing: Enabled  
 JBIG2: Lossless  
**Energy Saver**  
 Deep Sleep: Enabled  
 Energy Saver Mode: Job Activated  
**Smart Proximity Sensor**  
 Wake on Arrival: Not Available  
 Sleep on Departure:

**Software Versions**

Device Software: 122.024.004.35400  
 Patch Version: None  
 Network Controller: 122.024.35400  
 UI Panel Firmware: 6.2  
 Marking Engine: 230.315  
 Document Feeder: 230.315  
 Finisher: 000.000.000  
 Fax: 000.000.000  
 Scanner: 230.315  
**Machine Upgrades:**  
 Last Successful Upgrade: December 24, 2024 11:39:56

**Media Trays**

Tray 1: Plain, White and A4 (210 x 297 mm)  
 Tray 2: Plain, White and A4 (210 x 297 mm)  
 Tray 3: Bond, White and A4 (210 x 297 mm)  
 Tray 4: Recycled, White and A4 (210 x 297 mm)  
 Tray 5: Lightweight Glossy Cardstock, White and A...  
 Bypass Tray: Plain, White and A4 (210 x 297 mm)

**Installed Options**

PS: Installed

**Connectivity**

**Mobile Workflows**

AirPrint Printing: Enabled  
 Mopria Printing Discovery: Enabled  
 AirPrint / Mopria Scanning Authentication: Enabled  
 Disabled

**Physical Connections**

**USB Settings**  
 USB Type A Ports: All Enabled  
 USB Type B Port: Disabled

**Wired:**

Ethernet MAC Address: 56:80:0e:a7:a8:9c  
 Ethernet Speed/Duplex Setting: auto  
 Disabled

**Wireless:**

Wireless MAC Address:  
 Network Name (SSID):  
 BSSID:  
 Security Mode:  
 Encryption Algorithm:  
 Status:  
**Wi-Fi Direct:** Enabled  
 Wireless Hardware: Not Installed

Wi-Fi Protected Setup (WPS) Name:  
 Access Point (SSID):  
 Show Password on Device Touch Screen:

**NFC:**

iBeacon (Bluetooth®) for AirPrint Di...: Enabled  
 iBeacon Hardware: Enabled  
 Bluetooth Device Address: Not Installed  
 iBeacon IP Address:

**Protocols**

**TCP/IPV4:**

IP Address: Enabled  
 10.61.12.186  
 Subnet Mask: 255.255.255.0  
 Router/Gateway: 10.61.12.1  
 Automatic Addressing: DHCP  
 DHCP Server: 10.61.13.224  
 DHCP Lease Expiration: Fri Jan 10 16:35:33 2025  
 BOOTP Broadcast: Disabled  
 Self Assigned Address State: Enabled  
 Self Assigned Address:

**TCP/IPV6:**

Enabled  
 Link Local Address: fe80::5480:eff:fea7:a89c  
 Use Router Supplied Prefix: Enabled  
 Stateless Global Address 1: fd00:0.2:112:5480:eff:fea7:a89c  
 Stateless Global Address 2: ::  
 Manual Address:  
 DHCP Addressing: Use DHCP as directed by a router  
 DHCP Address:  
 Default Gateway: fe80::8afc:5dff:fe75:e282  
 DUID (DHCP Unique Identifier):

**DNS Settings:**

Requested Host Name: XRX56800EA7A89C  
 Verified Host Name:  
 Requested Domain Name:  
 Verified Domain Name:  
 Multicast DNS: Enabled  
 Release DHCP Leases and DNS Registrati...: Disabled  
 Primary DNS Server: 10.61.7.15  
 Prefer IPv6 DNS over IPv4: Enabled

**Bonjour:**

Bonjour Printer Name: Xerox VersaLink C625 Color MFP (A7:A...  
**HTTP:** Enabled  
 Force Traffic over Secure Connection (H...: Yes  
 IPP: Enabled

**SNMP**

SNMP v1/v2: Enabled  
 SNMP v3: Disabled

**LPR/LPD:**

Enabled

**Raw IP Printing:**

Enabled

**LDAP**

LDAP Server 1 Primary LDAP Address: 0.0.0.0:389  
 LDAP Server 1 Search Directory Root:  
 LDAP Server 1 Secure Connection (LDA...: Disabled  
 LDAP Server 1 Validate Server Certificate...: Disabled

**SMTP**

SMTP Server: 10.61.10.8:25  
 Connect Encryption (TLS): No Encryption  
 Validate Server Certificate (TLS):

**Protocols (cont.)**

POP3	
POP3 Server:	0.0.0.0:110
POP3 Secure Connection (TLS):	Disabled
E-mail Address:	
NTP:	Disabled
FTP Client:	Enabled
FTP Client Mode:	Passive
Web Services on Device:	Enabled

**Apps****Printing**

Banner Sheet:	Disabled
Error Sheets:	Enabled
Paper Substitution:	Enabled
Tray Priority:	1,2,3,4,5,6
Archival Marking Mode	Off
PostScript	Installed
Level:	3
Version:	3021.101
PCL	
Version:	6
Font Name:	Courier
Custom Color Tables	Enabled
Label:	Not Installed

**Fax:**

Fax Line1:	Not Present
Fax Line2:	

**Server Fax:**

Repository Protocol:	Enabled
Repository Server:	SFTP
Repository Server:	10.61.23.93:22
Repository Document Path:	\

**Workflow Scanning:**

	Enabled
--	---------

**Email:**

	Enabled
--	---------

**Scan to Mailbox:**

	Enabled
--	---------

Storage Capacity (MB):	672 MB
------------------------	--------

Storage Used (MB):	49 MB
--------------------	-------

Cleanup of Public Folders:	Enabled
----------------------------	---------

Cleanup of Created Folders:	Enabled
-----------------------------	---------

Cleanup Time:	Daily
---------------	-------

**Scan to Home:**

	Disabled
--	----------

**Scan To:**

	Enabled
--	---------

Cloud Services:	Disabled
-----------------	----------

**Print From:**

	Enabled
--	---------

Saved Jobs for Reprint:	Enabled
-------------------------	---------

Print From USB:	Enabled
-----------------	---------

Print From MailBox:	Disabled
---------------------	----------

Cloud Services:	Disabled
-----------------	----------

**Accounting**

Accounting Mode:	None
------------------	------

Network Accounting:	Disabled
---------------------	----------

**Security****Authentication Configuration**

Machine UI Authentication:	Locally on the Device
----------------------------	-----------------------

Home:	Unlocked
-------	----------

Jobs:	Unlocked
-------	----------

Device:	Unlocked
---------	----------

Device Website Authentication:	Locally on the Device
--------------------------------	-----------------------

Authorization:	Locally on the Device
----------------	-----------------------

Retrieve E-mail from LDAP:	Enabled
----------------------------	---------

**Authentication Server:**

	Kerberos
--	----------

**Xerox Secure Access:**

	Disabled
--	----------

**Audit Log:**

	Enabled
--	---------

**IP Sec:**

	Disabled
--	----------

**IP Filtering:**

	Disabled
--	----------

**Security Certificates**

Machine Certificate:	Signed
----------------------	--------

Root Certificates Installed:	54
------------------------------	----

**802.1x:**

	Disabled
--	----------

**Job Data Removal:**

Scheduled:	Disabled
------------	----------

**FIPS 140-3:**

	Disabled
--	----------

**TLS:**

	TLS 1.2 and TLS 1.3
--	---------------------

TLS Hash:	SHA-1, SHA-256 and above
-----------	--------------------------

**Trellix Embedded Control:**

	Disabled
--	----------

## Common User Data

Machine Name:	Xerox VersaLink C625 Color MFP (A7:A...
IP Address:	10.61.12.186
Machine Serial Number:	5322480247
Fax Line 1:	
Machine URL:	https://10.61.12.186
Machine Activation Date:	Jan 01, 1970 05:30:00
Black Impressions:	1273
Color Impressions:	1051
Total Impressions:	2324

## Machine Profile

Xerox Asset Tag:	
Customer Asset Tag:	
Service Phone Number:	
Customer Support Number:	
Supplies Phone Number:	
System Administrator:	System Administrator name not set
Machine Location:	machine location not set
<b>Managed By</b>	
Primary MB Server:	

## Machine Hardware

Fax Card:	Not Present
Fax Memory Size:	0 MB
Foreign Interface Card:	not present
Device RAM Size:	3904 MB
Device Storage Size:	used=2998MB/total=13925MB (eMMC)
EPC Memory Size:	187 MB
Productivity Kit:	Not Installed
Finisher Type:	Simple Catch Tray
Finisher Punch:	None
Finisher Folder:	not present
Multi-feed Detection Kit:	Not Installed

## General Setup

Remote Services:	Enabled
Remote Software Download:	Enabled
Remote Services Trans. Time:	11:10
Xerox Workplace Cloud	Enabled
E-mail Alerts:	Disabled
Service Plan:	Metered
Geographic Region:	unknown
Startup Config Report:	Enabled
GMT Offset:	+05:30
Cloning Installation	Allowed (Encrypted Files Only)
Allow Print Submission of Clone Files:	Enabled
File Sharing	Enabled
JBIG2	Lossless
<b>Energy Saver</b>	
Deep Sleep:	Enabled
Energy Saver Mode:	Job Activated
Sleep Mode Timer:	120 minutes
Auto-Off:	Disabled

## Software Versions

Device Software:	122.024.004.35400
Patch Version:	None
Network Controller:	122.024.35400
UI Panel Firmware:	6.2
User Interface:	122.024.35400
Marking Engine:	230.315
Copy Controller:	122.024.35400
Document Feeder:	230.315
Finisher:	000.000.000
Fax:	000.000.000
OS:	230.315
Scanner:	230.315
Software Upgrade:	005.007
ALTB00T Software Upgrade:	005.007
Tray 2:	A15.51_B2.3
Tray 3:	A15.51_B2.3
Tray 4:	A15.51_B2.3
Tray 5:	A15.51_B2.3

## Machine Upgrades:

Last Successful Upgrade:	December 24, 2024 11:39:56
Scheduled Auto Upgrades:	Disabled
Auto Upgrade Start Time:	Daily
Auto Upgrade Server:	0.0.0.0:21

## Media Trays

Tray 1:	Plain, White and A4 (210 x 297 mm)
Tray 2:	Plain, White and A4 (210 x 297 mm)
Tray 3:	Bond, White and A4 (210 x 297 mm)
Tray 4:	Recycled, White and A4 (210 x 297 mm)
Tray 5:	Lightweight Glossy Cardstock, White and A...
Bypass Tray:	Plain, White and A4 (210 x 297 mm)

## Connectivity

### Mobile Workflows

AirPrint Printing:	Enabled
Mopria Printing Discovery:	Enabled
AirPrint / Mopria Scanning Authentication:	Enabled
Universal Print:	Disabled
Universal Print Registration Status:	Not Registered

### Physical Connections

#### USB Settings

USB Type A Ports:	All Enabled
USB Type B Port:	Disabled
Connection Timeout:	5 seconds

#### Wired:

Ethernet MAC Address:	56:80:0e:a7:a8:9c
Ethernet Speed/Duplex Setting:	auto

#### Wireless:

Wireless MAC Address:	
Network Name (SSID):	
BSSID:	

Security Mode:	
Encryption Algorithm:	
Status:	

#### Wi-Fi Direct:

Wireless Hardware:	Enabled
Wi-Fi Protected Setup (WPS) Name:	Not Installed

Connection Method:	
Subnet Prefix Address:	
Access Point (SSID):	
Show Password on Device Touch Screen:	

#### NFC:

iBeacon (Bluetooth®) for AirPrint Di...	Enabled
iBeacon Hardware:	Enabled
Bluetooth Device Address:	Not Installed
iBeacon IP Address:	

## Protocols

### TCP/IPV4:

IP Address:	Enabled	10.61.12.186
Subnet Mask:		255.255.255.0
Router/Gateway:		10.61.12.1
Automatic Addressing:		DHCP
DHCP Server:		10.61.13.224
DHCP Lease Expiration:		Fri Jan 10 16:35:33 2025
BOOTP Broadcast:		Disabled
Self Assigned Address State:		Enabled
Self Assigned Address:		

### TCP/IPV6:

Link Local Address:	Enabled	fe80::5480:eff:fea7:a89c
Use Router Supplied Prefix:		Enabled
Stateless Global Address 1:		fd00:0:2:112:5480:eff:fea7:a89c
Stateless Global Address 2:		::
Manual Address:		
DHCP Addressing:		Use DHCP as directed by a router
DHCP Address:		
Default Gateway:		fe80::8afc:5dff:fe75:e282
DUID (DHCP Unique Identifier):		

### DNS Settings:

Requested Host Name:		XRX56800EA7A89C
Verified Host Name:		
Requested Domain Name:		
Verified Domain Name:		
Multicast DNS:	Enabled	
Release DHCP Leases and DNS Registrati...	Disabled	
Primary DNS Server:		10.61.7.15
Alternate DNS Server 1:		10.61.10.6
Alternate DNS Server 2:		::
DNS Connection Timeout:		5
Append Device Domain:	Enabled	
Append Parent Domains:	Disabled	
DNS Domain Search List:		XEROXQA.COM
Prefer IPv6 DNS over IPv4:	Enabled	

## Installed Options

PS:	Installed
-----	-----------

**Protocols (cont.)**

**Bonjour:**  
 Bonjour Printer Name: Xerox VersaLink C625 Color MFP (A7:A...  
**HTTP:**  
 Part Number: Enabled  
 Force Traffic over Secure Connection (H... 80  
 Secure HTTP Part Number: Yes  
 Proxy Server: 443  
 Proxy Server Address: Manual  
 IPP: 10.177.8.91:8080  
 Secure IPP Mode: Enabled  
 IPP Network Path: IPP and Secure IPPS  
 http://10.61.12.186:631  
**SNMP**  
 SNMP v1/v2: Enabled  
 SNMP v3: Disabled  
**LPR/LPD:**  
 Part Number: Enabled  
 PDL Switching: 515  
 PDL Banner Override: Disabled  
**Raw IP Printing:**  
 Part Number 1: Enabled  
 Bidirectional: 9100  
 End of Job Timeout: Disabled  
 PDL Switching: 300  
 Disabled  
**LDAP**  
 LDAP Server 1 Friendly Name:  
 LDAP Server 1 Primary LDAP Address: 0.0.0.0:389  
 LDAP Server 1 Alternate LDAP Address: 0.0.0.0:389  
 LDAP Server 1 Search Directory Root:  
 LDAP Server 1 Secure Connection (LDA... Disabled  
 LDAP Server 1 Validate Server Certificate... Disabled  
**SMTP**  
 SMTP Server: 10.61.10.8:25  
 Connect Encryption (TLS): No Encryption  
 Validate Server Certificate (TLS):  
 Max Message Size (KB): 10240  
 Number of Fragments: 1  
 Total Job Size (KB): 300000  
 Job Splitting Boundary: Page Boundary  
 Credentials for Auto E-mails: None  
 Credentials for Walkup User: None  
**POP3**  
 POP3 Server: 0.0.0.0:110  
 POP3 Secure Connection (TLS): Disabled  
 E-mail Address:  
 Receipt of E-mail via POP3: Disabled  
 Send Confirmation Request: Enabled  
 Incoming E-mail cover sheet: Enabled  
**NTTP:**  
 Primary Server: 0.0.0.0:123  
 Alternate Server: 0.0.0.0:123  
**SLP:**  
 Disabled  
**FTP Client:**  
 Enabled  
 FTP Client Mode: Passive  
**Web Services on Device:**  
 WS-Discovery: Enabled  
 WS-Discovery Multicast: Enabled  
 WS-Print: Enabled  
 WS-Scan: Enabled  
**Web Services**  
 Copy Submission: Enabled  
 Digital Certificate Management and Secur... Enabled  
 Extensible Service Registration: Enabled  
 Job Limits: Enabled  
 Job Management Extension: Enabled  
 Device Configuration: Enabled  
 Scan Submission: Enabled  
 Scan Workflow Management: Enabled  
 Session Data: Enabled  
 User Interface Configuration: Enabled  
 EIP Proxy Configuration: Enabled  
 Xerox Secure Access: Disabled  
 EIP SNMP Configuration: Enabled  
 Print Submission: Enabled  
 Scan Template Mgmt: Enabled  
 Mass Storage Access: Enabled  
 Card Reader Access: Enabled  
 Authentication & Accounting Configur... Enabled  
 Export Audit Log: Enabled  
 Trellix Embedded Control: Enabled

**Apps**

**Printing**

Banner Sheet: Disabled  
 Sys/Start Job: Disabled  
 Delete Held Jobs After: 3 Day(s) 0 Hour(s) 0 Minute(s)  
 Error Sheets: Enabled  
 Paper Substitution: Enabled  
 Tray Priority: 1,2,3,4,5,6  
 Default Copies: 1  
 Default Job Type: Normal Print  
 Default Paper Size: x=8.50 inches, y=11.00 inches  
 Default Paper Color: White  
 Default 2 Sided Printing: 2 Sided  
 Default Output Tray: Center Tray  
 Default Output Color: Color  
 Default Collated Sets: Enabled  
 Default Stapling: Not Available  
 Offsetting Between Jobs: No Offset Between Jobs  
**Archival Marking Mode**  
 Off  
**PostScript**  
 Installed  
 Level: 3  
 Version: 3021.101  
 Image Quality: B6vitett  
**PCL**  
 Version: 6  
 Pitch Size: 10.00  
 Point Size: 12.00  
 Font Name: Courier  
 Lines Per Page: 60  
**Custom Color Tables**  
 Enabled  
 Label: Not Installed  
**Fax:**  
 Not Present  
 Fax Line1:  
 Fax Line2:  
**Server Fax:**  
 Enabled  
 Confirmation Sheet: On  
 Delay Start: Disabled  
 Repository Protocol: SFTP  
 Repository Server: 10.61.23.93:22  
 Repository Document Path: \\  
**Workflow Scanning:**  
 Enabled  
 Confirmation Sheet: On  
 Default Repository Protocol: SMB  
 Default Repository Server: 10.61.23.93:445  
 Default Repository Document Path: /  
 Default Repository Login Credentials: Device  
 Alt1 Repository Protocol: SMB  
 Alt1 Repository Server: 0.0.0.0:0  
 Alt1 Repository Document Path:  
 Alt1 Repository Login Credentials: Device  
 Workflow Pool Protocol: SMB  
 Workflow Pool Server: 0.0.0.0:0  
 Workflow Pool Path:  
**Email:**  
 Enabled  
 Default From Address: rathimeenas@xeroxqa.com  
 Confirmation Sheet: On  
 Auto Send to Self: Disabled  
 E-mail Security: Disabled  
**Scan to Mailbox:**  
 Enabled  
 View Mailboxes by Default: Enabled  
 Storage Capacity (MB): 672 MB  
 Storage Used (MB): 49 MB  
 Cleanup of Public Folders: Enabled  
 Cleanup of Created Folders: Enabled  
 Cleanup Time: Daily  
**Scan to Home:**  
 Disabled  
 Friendly Name:  
 Workflow Name:  
 Auto Create Subdir: Disabled  
 Append User Name to Path: Disabled  
 Auto Create User Name Dir: Disabled  
**Scan To:**  
 Enabled  
 Cloud Services: Disabled  
**Print From:**  
 Enabled  
 Saved Jobs for Reprint: Enabled  
 Print From USB: Enabled  
 Print From MailBox: Disabled  
 Cloud Services: Disabled

**Accounting**

Accounting Mode: None  
 Network Accounting: Disabled

**Security****Authentication Configuration**

Machine UI Authentication: Locally on the Device  
 Home: Unlocked  
 Jobs: Unlocked  
 Device: Unlocked  
 Device Website Authentication: Locally on the Device  
 Authorization: Locally on the Device  
 Retrieve E-mail from LDAP: Enabled

**Authentication Server:**

Kerberos: Kerberos  
 Kerberos Primary Realm:  
 Kerberos Primary Address: 0.0.0.0:88  
 Kerberos Alt 1 Realm:  
 Kerberos Alt 1 Address: 0.0.0.0:88  
 SMB NT Domain:  
 SMB Alt 1 NT Domain:  
 Smartcard Ctrl Server: 0.0.0.0:443  
 Smartcard Ctrl Domain:  
 SmartCard OCSP URL:  
 Card Reader Upgrade Policy: Enabled  
 Card Reader Firmware Version:

**Xerox Secure Access:**

Secure Access Server: Disabled  
 Secure Access Path: 0.0.0.0:443

**Audit Log:**

Enabled

**IP Sec:**

Disabled

**IP Filtering:**

Disabled

**Security Certificates**

Machine Certificate: Signed  
 Root Certificates Installed: 54  
 802.1x: Disabled

**Job Data Removal:**

Scheduled: Disabled  
 Scheduled Frequency: Monthly

**FIPS 140-3:**

Disabled

**TLS:**

TLS Hash: TLS 1.2 and TLS 1.3

**Trellix Embedded Control:**

SHA-1, SHA-256 and above

Disabled

**Extensible Service Setup**

Third Generation Browser: X3G\_3.24.23\_2.40.5\_012\_01.00.00  
 Widget Version: v1.3.17 c8 20140613  
 Widget Version: v2.5.04 g9 20240123

# Számlázási összegzés

## Rendszeradatok

Gép neve:	Xerox VersaLink C625 Color MFP (A7:A...	<b>Szoftververziók</b>	
Gép gyári száma:	5322480247	Készülékszoftver:	122.024.004.35400
Bekapcsoláskori lenyomatok:	121	Javítófájl verziója:	None
		Hálózatvezérlő:	122.024.35400
		Felhasználói kezelőfelület paneljének firmware-je:	6.2
		Jelölőmotor:	230.315
		Dokuadagoló:	230.315
		Finiser:	000.000.000
		Faxolás:	000.000.000
		Szkenner:	230.315

## Számlázásmérők

### Faxolás

Beágyazott faxon elküldött képek:	0
Beágyazott faxlenyomatok:	0

### Másolás

Fekete-fehér másolt lenyomatok:	338
Színes másolt lenyomatok:	131

### Nyomatás

Fekete-fehér nyomtatott lenyomatok:	850
Színes nyomtatott lenyomatok:	895

### Szkennelés

Hálózati szkenneléssel küldött képek:	101
E-mail képek elküldve:	5

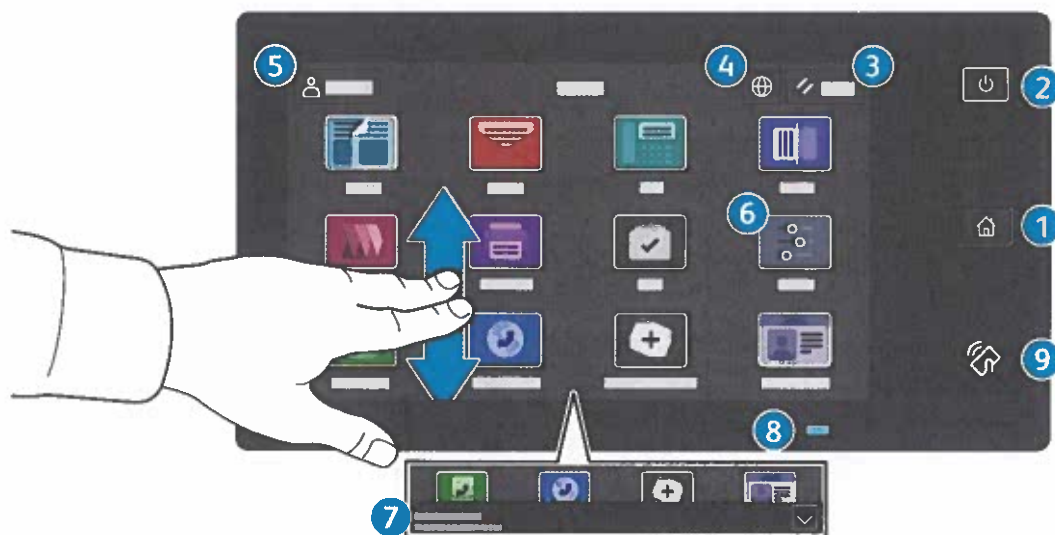
## Készülék összesenjei

Fekete lenyomatok:	1274
Színes lenyomatok:	1052
Összes lenyomat:	2326

Sima papír:	468
Levélpapír:	7
Újrahasznosított:	8
Fejléces:	7
Fényes bevonatos papír:	6

## Vezérlőpanel

A rendelkezésre álló alkalmazások köre a nyomtatóbeállításoktól függően változhat. Az alkalmazásokkal és a funkciókkal kapcsolatos részletes információkat a *Felhasználói útmutatóban* találja.



- 1 Kezdőlap:** visszatérés a fő alkalmazás-képernyőre.
- 2 Főkapcsoló/ébredés:** alvó állapotba helyezi, újraindítja, illetve kikapcsolja a nyomtatót.
- 3 Alaphelyzet:** az összes alkalmazásban visszaállítja a beállítások alapértékeit.
- 4 Nyelv:** a képernyő nyelvének beállítása.
- 5 Bejelentkezés:** az eszközökhöz és a beállításokhoz biztosít speciális hozzáférést.
- 6 Készülék alkalmazás:** a nyomtatóinformációkhoz és -beállításokhoz nyújt hozzáférést.
- 7 Az értesítésszalag** a nyomtatóállapot mellett figyelmeztetéseket jelenít meg. Az összes értesítés megjelenítéséhez érintse meg a szalagot. A szalag bezárásához érintse meg a lefelé mutató nyilat.
- 8 Az állapotjelző LED** a nyomtató állapotát jelzi. Részletes információkat a *Felhasználói útmutatóban* talál.
- 9 NFC-terület:** a mobil eszközökkel való párosítást teszi lehetővé az alkalmazásokból történő nyomtatáshoz vagy szkenneléshez.

## A Készülék alkalmazás

A Készülék alkalmazás a kellék- és nyomtatóinformációkhoz, valamint a nyomtató beállításaihoz nyújt hozzáférést. Néhány menü és beállítás csak a rendszergazda nevével és jelszavával történő bejelentkezés után érhető el.



## Számlázási és használati információk

A Készülékfunkciók menüben az alapvető lenyomatszámológok megtekintéséhez érintse meg a **Számlázás/Használat** lehetőséget. A részletes használati számlálók megtekintéséhez érintse meg a **Használati számlálók** elemet. A listában megtekintheti a részletes lenyomatszámológó-kategóriákat.

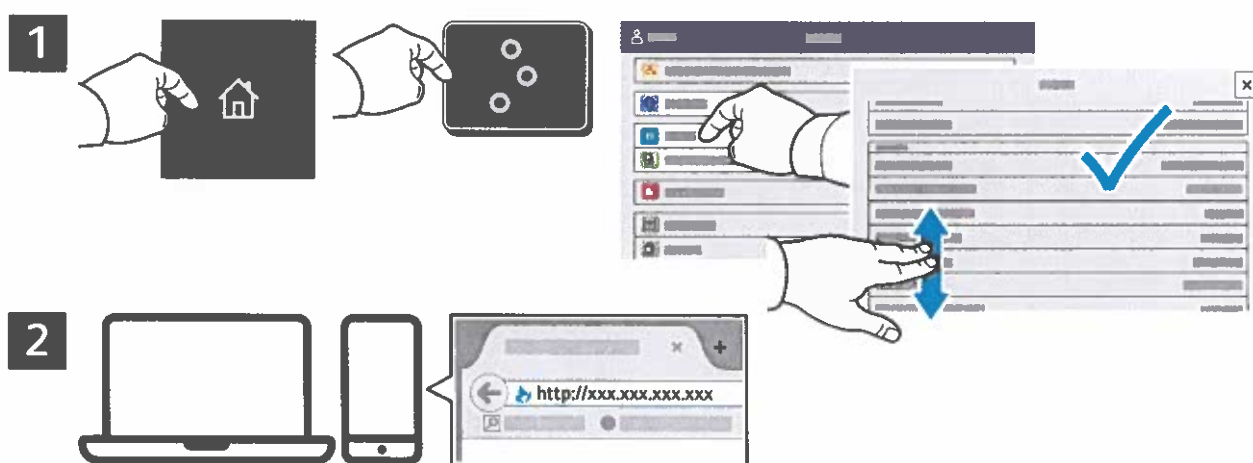


## Beágyazott webkiszolgáló

A Xerox® beágyazott webkiszolgáló hálózati hozzáférést nyújt a nyomtató beállításainak részleteihez, a papír és a kellékek állapotához, a munkák állapotához, valamint a diagnosztikai funkciókhoz. A faxok, az e-mailek és a címjegyzékek kezelését is lehetővé teszi.

A csatlakoztatáshoz írja be a nyomtató IP-címét egy webböngészőben. A hálózati IPv4-címet az érintőképernyős vezérlőpanelen keresheti meg. Érintse meg az **Eszköz alkalmazás > Névjegy** lehetőséget, majd görgessen le.

A beágyazott webkiszolgáló használatának részleteiért lásd a Xerox.com webhelyen található *Felhasználói útmutatóban*.



## App Gallery

A Xerox App Gallery a tevékenységjavító alkalmazások egyre bővülő választékát kínálja, amelyeket igény szerint telepíthet nyomtatójára. A kezdőképernyőn keresse meg az alkalmazást, hozza létre közvetlenül a bejelentkezési adatait, vagy a [www.xerox.com/appgallery](http://www.xerox.com/appgallery) címen jelentkezzen be, és adja hozzá készülékét. Az alkalmazástelepítés egyszerűsítése érdekében célszerű ugyanazokat a bejelentkezési adatokat használni az alkalmazásgalériába való belépéskor, mint amit a nyomtatóra való bejelentkezéskor használt.

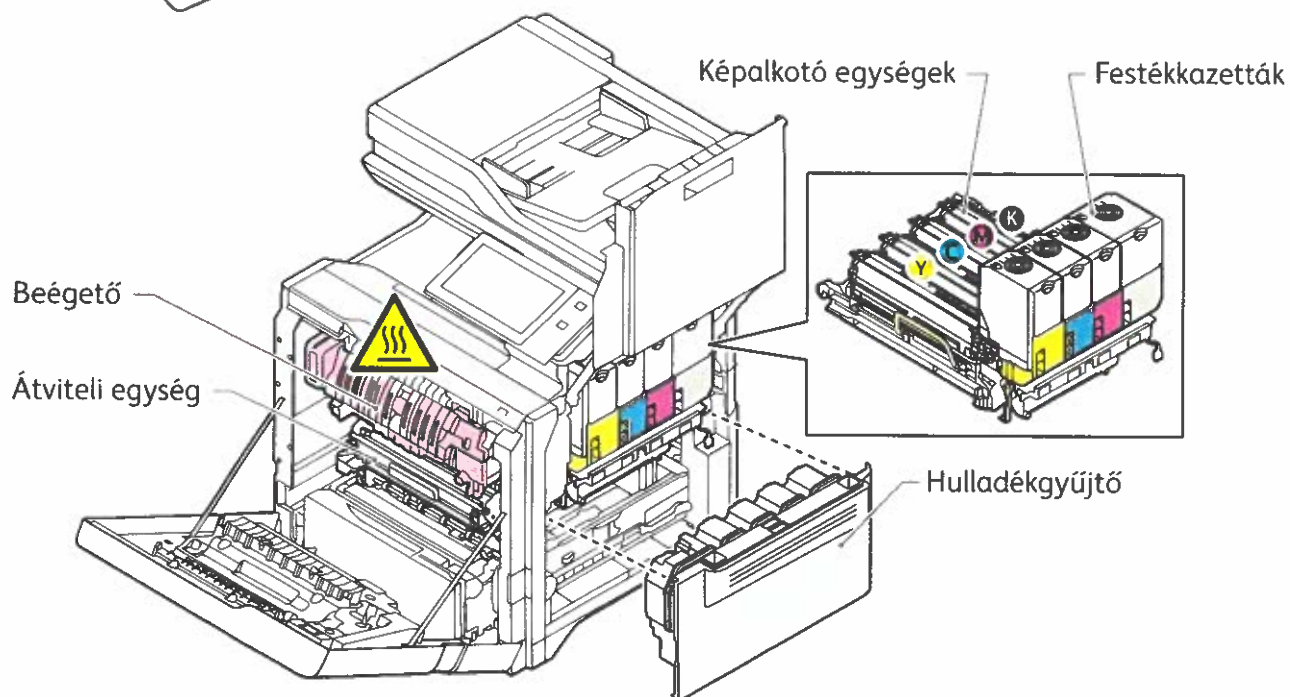
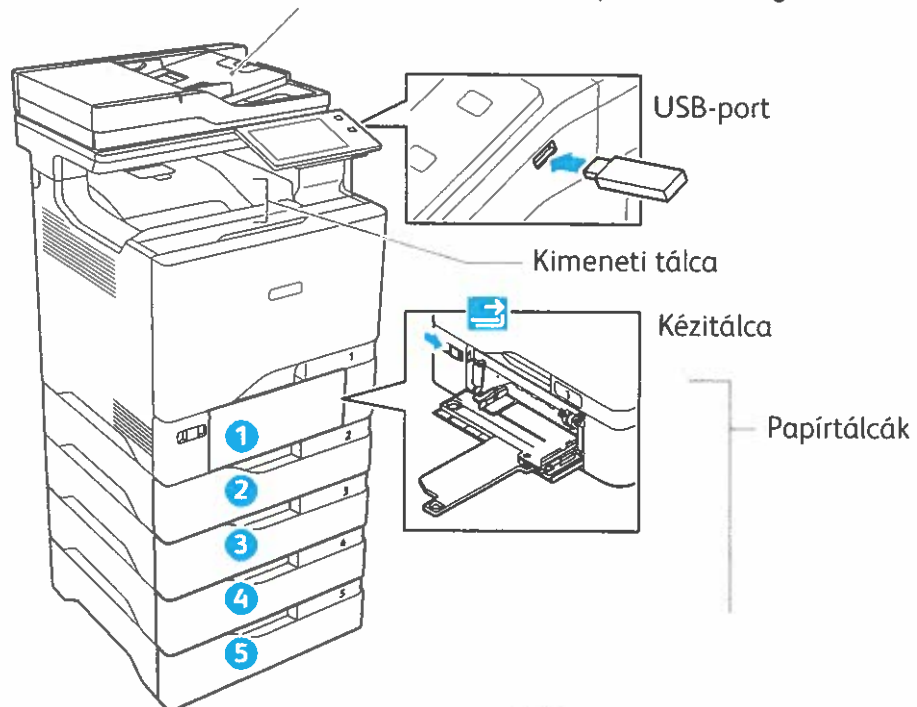


[www.xerox.com/appgallery](http://www.xerox.com/appgallery)

## A nyomtató áttekintése

A nyomtatóhoz opcionális kiegészítők is tartozhatnak. Részletek: *Felhasználói útmutató*.

Egymenetes automatikus duplex dokusdagoló (DADF)



## Papírkezelés

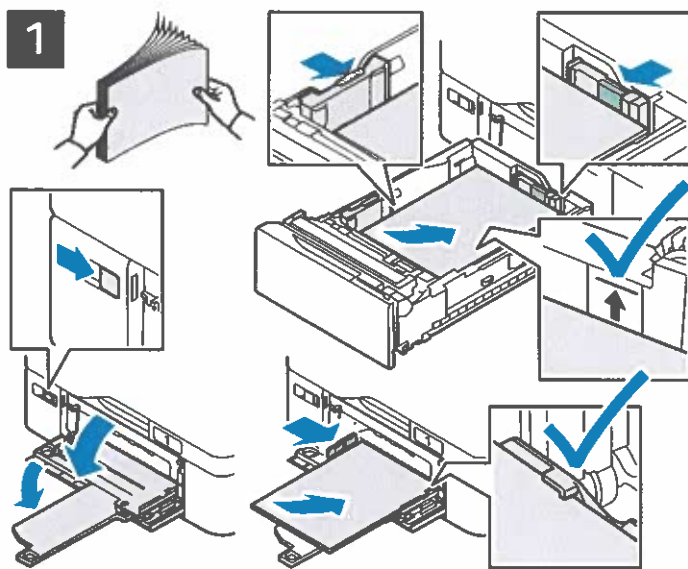
A nyomtatóban használható papírtípusok teljes listáját a Recommended Media List (Ajánlott másolóanyagok listája) tartalmazza, amely a következő címen érhető el:

[www.xerox.com/rmlna](http://www.xerox.com/rmlna) (USA és Kanada)

[www.xerox.com/rmleu](http://www.xerox.com/rmleu) (Európa)

A tálcákkal és a papírral kapcsolatos részletes információkat a *Felhasználói útmutatóban* találja.

## Papír betöltése



A legjobb eredmény biztosítása érdekében pörgesse át a papírlapokat. Igazítsa a vezetőket a papír méretéhez. Ne helyezzen be papírt a maximális töltési vonal fölé.

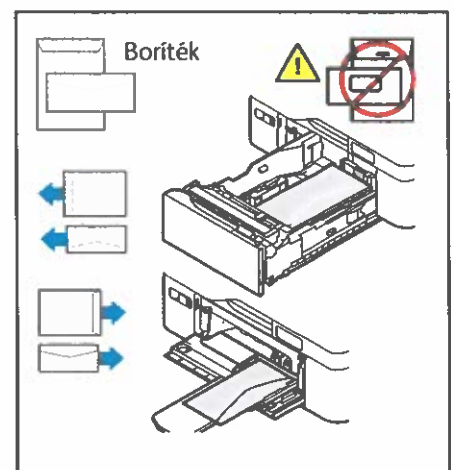
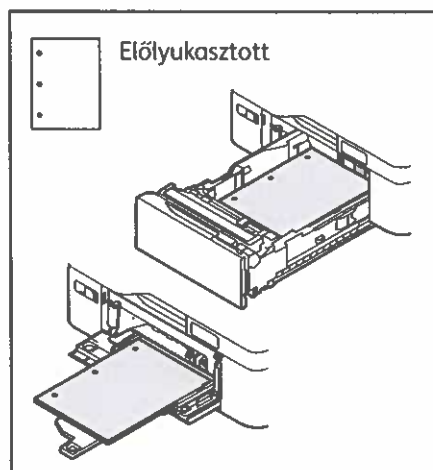
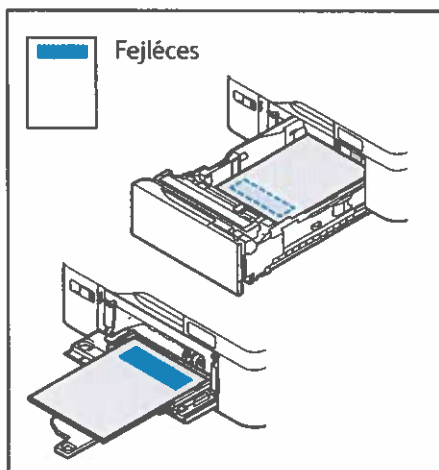


Szükség szerint fogadja el vagy módosítsa a méret- és típusbeállításokat.



Nyomtatáskor a nyomtató-illesztőprogramban adja meg a beállításokat.

## A papír tájolása



# Másolás

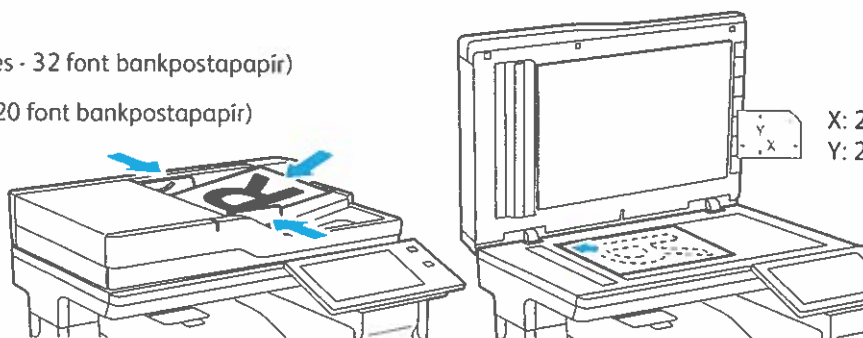
Részletek: *Felhasználói útmutató.*

1

X: 139–356 mm (5,47–14")  
Y: 105–216 mm (4,13–8,5")

52–120 g/m<sup>2</sup>  
(14 font szöveges - 32 font bankpostapapír)

≤100 (75 g/m<sup>2</sup>, 20 font bankpostapapír)



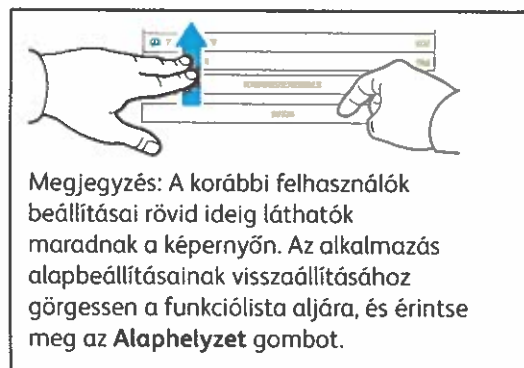
Tegye be az eredeti dokumentumokat.

2



Érintse meg a **Másolás** lehetőséget, majd adja meg a példányszámot.

3



Válassza ki a funkcióbeállításokat a listáról, majd érintse meg az **Indítás** lehetőséget.

## Szkennelés és küldés e-mailben

Ha a nyomtató hálózatra csatlakozik, a beszkennelt kép célhelyét kiválaszthatja a nyomtató vezérlőpanelén.

A jelen útmutató azokat a szkennelési eljárásokat ismerteti, amelyekhez nincs szükség különleges előkészületekre:

- Dokumentum elküldése szkennelés után a megadott e-mail-címre.
- Dokumentum mentése vagy küldése szkennelés után a megadott kedvenc helyre, címjegyzékbeli bejegyzésre vagy USB flash meghajtóra.
- Dokumentum szkennelése a nyomtató merevlemezén található alapértelmezett nyilvános mappába, majd letöltése webböngészővel.

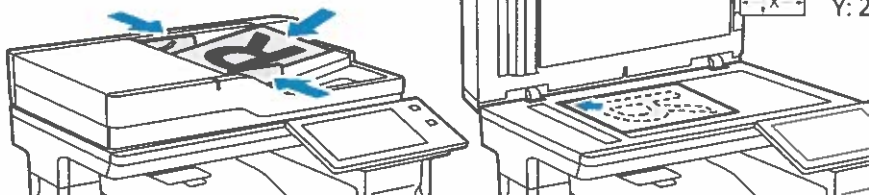
A részletes tudnivalókat és a további szkennelési beállításokat a *Felhasználói útmutatóban* találja. A címjegyzék és a munkafolyamat-sablonok beállításait a *System Administrator Guide (Rendszer-adminisztrátori útmutató)* tárgyalja részletesen.

1

X: 139–356 mm (5,47–14")  
Y: 105–216 mm (4,13–8,5")

52–120 g/m<sup>2</sup>  
(14 font szöveges - 32 font bankpostapapír)

≤100 (75 g/m<sup>2</sup>, 20 font bankpostapapír)



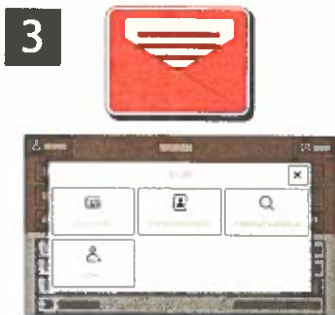
X: 25–355,6 mm (,98–14")  
Y: 25–215,9 mm (,98–8,5")

Tegye be az eredeti dokumentumokat.

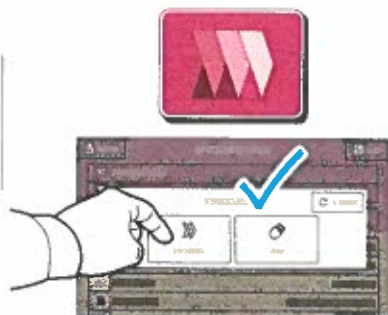
2



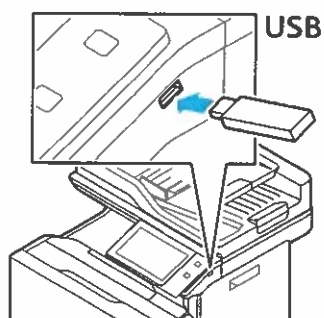
Nyomja meg a **Kezdőlap** gombot, és a szkennelt e-mailben való elküldéséhez érintse meg az **E-mail** lehetőséget. Az alapértelmezett nyilvános mappába vagy egy USB-flashmeghajtóra szkenneléshez érintse meg a **Munkafolyamat-szkennelés** opciót. Ha a szkennelési cél szerepel a címjegyzékben vagy kedvencként mentette, érintse meg a **Szkennelés ide** lehetőséget.



E-mail küldéséhez érintse meg a **Kézi bejegyzés** elemet, az érintőképernyő billentyűzetén írja be az e-mail-címet, majd érintse meg a **Hozzáadás** gombot. Ha egynél több is szeretne felvenni a listára, érintse meg a **Címzett hozzáadása** lehetőséget. Az e-mail tárgysorának megadásához érintse meg a **Tárgy** elemet. Ha a tárolt e-mail-címek közül szeretne választani, használja a készülék címjegyzékét, vagy válasszon a kedvencek közül.



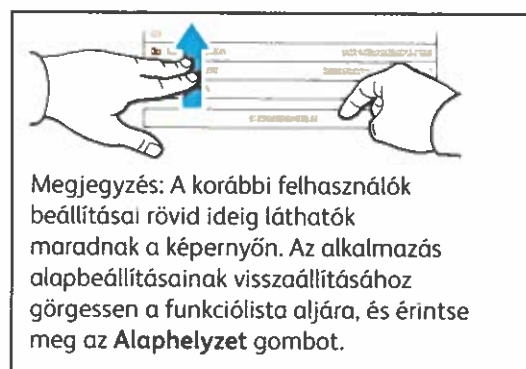
Munkafolyamat-szkennelés esetén érintse meg az **Alapértelmezett nyilvános mappa** elemet, vagy helyezzen be egy USB-flashmeghajtót.



A Szkenelés ide lehetőségénél érintsen meg egy céltípust, majd írja be a megfelelő adatokat. Ha több célt szeretne a listához adni, érintse meg a **Célhely hozzáadása** opciót.



Igény szerint módosítsa a beállításokat, majd érintse meg a **Szkennelés**, e-mail küldéséhez pedig a **Küldés** gombot.

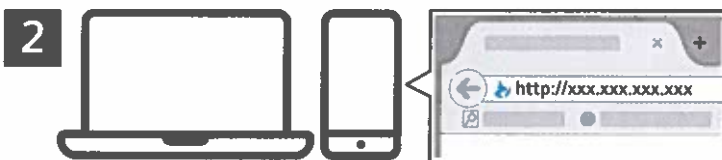


# Szkennelt fájlok beolvasása

A nyomtató alapértelmezett nyilvános mappájában lévő szkennelt képek letöltéséhez használja az Embedded Web Server alkalmazást. Az Embedded Web Server alkalmazásban beállíthat személyes mappákat és munkafolyamat-szkennelési sablonokat. Részletes információkat a *Felhasználói útmutatóban* talál.



Jegyezze fel a nyomtató érintőképernyőn látható IP-címét. Ha az IP-cím nem jelenik meg az érintőképernyő felső részén, nyomja meg a Kezdőlap gombot, érintse meg a **Készülék** > **Névjegy** lehetőséget, majd görgetéssel keresse meg az IP-címet.



Írja be a nyomtató IP-címét a webböngészőbe, majd nyomja le az **Enter** vagy a **Return** billentyűt.



Kattintson a **Szkennelés** fülre.

4



Válassza ki az Alapértelmezett nyilvános mappa elemet, majd a listában keresse meg a megfelelő szkennépet. A szkennép letöltéséhez kattintson a **Mehet** gombra.

A lista frissítéséhez kattintson az **Lista frissítése** elemre.

A fájl számítógépre mentéséhez kattintson a **Letöltés** gombra.  
A **Újranyomtatás** gombbal újra kinyomtathatja a mentett fájlt.  
A tárolt munka végleges eltávolításához kattintson a **Törlés** gombra.  
Egy tetszőleges könyvtár megnyitásához kattintson az **Megnyitás** gombra.

## Faxolás

Faxot négyféle módon küldhet:

- A **Fax** funkció beszkeneli a dokumentumot, és közvetlenül egy faxkészülékre küldi.
- A **Kiszolgálófax** funkció beszkeneli a dokumentumot, majd azt egy faxkiszolgálóra küldi, amely a dokumentumot egy faxkészülékre továbbítja.
- Az **Internetes fax** funkció beszkeneli a dokumentumot, és e-mailben elküldi a címzettnek.
- A **LAN-fax** funkció az aktuális nyomtatási munkát faxként továbbítja.

Részletek: *Felhasználói útmutató*. A LAN-fax funkcióról a nyomtató-illesztőprogram súgójában található további információkat. A faxolással kapcsolatos alapszintű és speciális beállításokat a *System Administrator Guide (Rendszer-adminisztrátori útmutató)* tárgyalja részletesen.

1



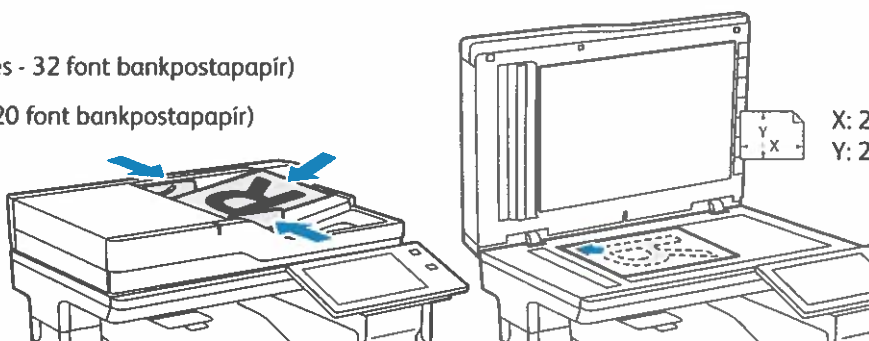
X: 139–356 mm (5,47–14")  
Y: 105–216 mm (4,13–8,5")



52–120 g/m<sup>2</sup>  
(14 font szöveges - 32 font bankpostapapír)



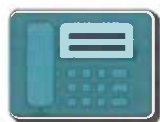
≤100 (75 g/m<sup>2</sup>, 20 font bankpostapapír)



X: 25–355,6 mm (.98–14")  
Y: 25–215,9 mm (.98–8,5")

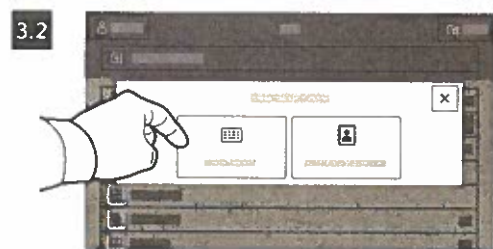
Tegye be az eredeti dokumentumokat.

2



Ha a faxot faxkészülékre szeretné továbbítani, nyomja meg a **Kezdőlap** gombot, majd érintse meg a **Fax** vagy a **Kiszolgálófax** lehetőséget.

Ha a faxot e-mail-mellékletként szeretné elküldeni, érintse meg a **Kezdőlap** gombot, majd válassza az **Internetes fax** lehetőséget.



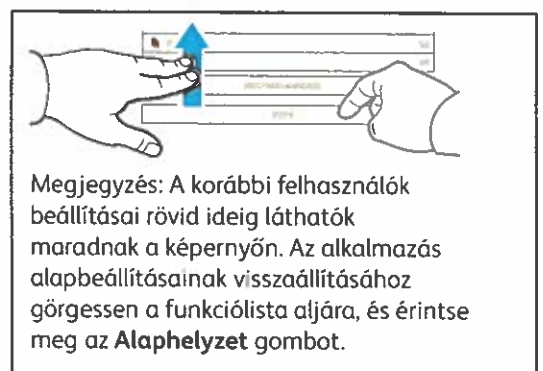
Faxszámok megadásához érintse meg a **Kézi bejegyzés** lehetőséget, majd az érintőképernyő alfanumerikus billentyűinek és speciális karaktereinek használatával adja meg a faxszámot. Érintse meg a **Hozzáadás** gombot. Ha több faxszámot is szeretne felvenni a listára, érintse meg a **Címzett hozzáadása** lehetőséget.

Internetes fax e-mail-címének megadásához érintse meg a **Kézi bejegyzés** elemet, majd az érintőképernyőn írja be az e-mail-címet. Érintse meg a **Hozzáadás** gombot. Ha több e-mail-címet is szeretne felvenni a listára, érintse meg a **Címzett hozzáadása** lehetőséget.

Mentett számok kiválasztásához használja a Készülék címjegyzéke vagy a Kedvencek lehetőséget. Tárolt faxhelyek kiválasztásához használja a Postafiók vagy a Lehívás lehetőséget.



Igény szerint módosítsa a beállításokat, majd érintse meg a **Küldés** gombot.



## Nyomtatás USB Flash meghajtóról

.pdf, .tiff, .ps, .xps és más kiterjesztésű fájlokat közvetlenül az USB flash meghajtóról is nyomtathat. További információk: *Felhasználói útmutató*.

**1**



Az adatok beolvasása közben ne távolítsa el az USB flash meghajtót. A fájlok megsérülhetnek.

Érintse meg a **Nyomtatás innen** lehetőséget, vagy csatlakoztasson egy USB flash meghajtót, majd válassza a **Nyomtatás USB-portról** opciót.

**2**



Érintse meg a **Dokumentum hozzáadása** lehetőséget, majd navigáljon a fájlokhoz, és jelölje ki őket.

**3**




A példányszám kiválasztásához érintse meg a plusz (+) vagy a mínusz (-) jelet. Nagy példányszám esetén érintse meg a **Példányszám** lehetőséget, és írjon be egy számot.

**4**



Igény szerint válasszon beállításokat, majd érintse meg a **Nyomtatás** gombot.

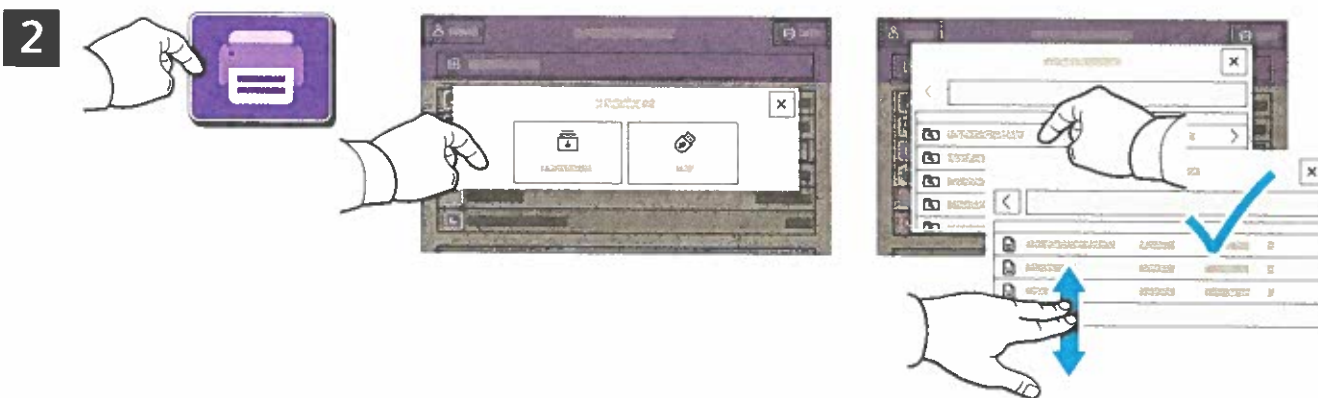


Megjegyzés: A korábbi felhasználók beállításai rövid ideig láthatók maradnak a képernyőn. Az alkalmazás alapbeállításainak visszaállításához görgessen a funkciólista aljára, és érintse meg az **Alaphelyzet** gombot.

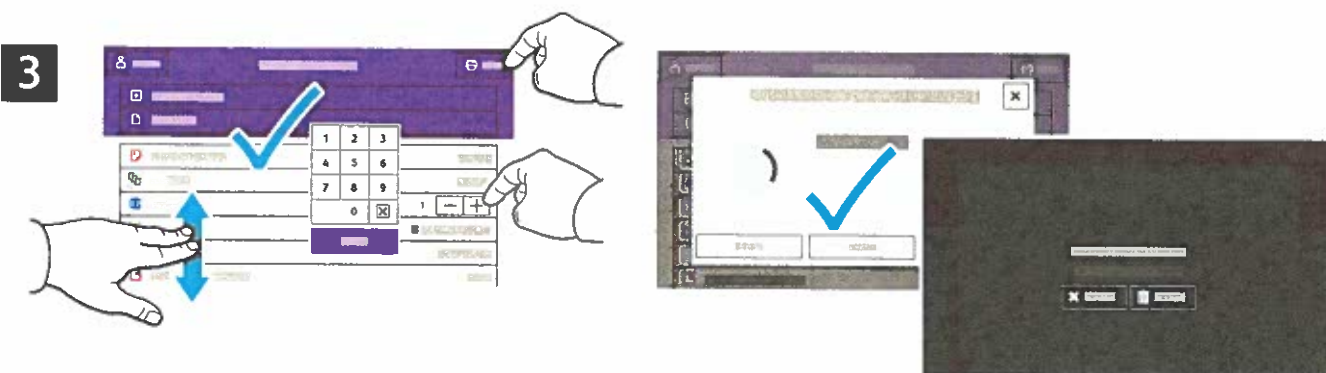
## A nyomtatón tárolt munkák kinyomtatása



A nyomtatási munkák a nyomtatóra küldhetők, és a nyomtatás később is elvégezhető a munka kiválasztásával a nyomtató vezérlőpanelén. A munkák menthetők a nyilvános mappába, illetve jelszóval is védhetők. A Xerox® nyomtató-illesztőprogramban válassza a **Tulajdonságok** (Windows) vagy a **Xerox-szolgáltatások** (Mac OS), majd a **Munka típusa** lehetőséget. Válassza a **Mentett munka** vagy a **Titkos nyomtatás** lehetőséget. A Titkos nyomtatás funkció használata esetében írjon be egy jelszót. Kattintson az **OK** gombra, és nyomtassa ki a munkát.



Érintse meg a **Nyomtatás innen**, majd a **Mentett munkák** lehetőséget. Válassza az **Alapértelmezett nyilvános mappa** elemet, majd válassza ki a nyomtatási munkát.



A listából válassza ki a beállításokat. A példányszám kiválasztásához érintse meg a plusz (+) vagy a mínusz (-) jelet. Nagy példányszám esetén érintse meg a **Példányszám** lehetőséget, és írjon be egy számot. Érintse meg a **Nyomtatás** gombot. A munka törléséhez a nyomtatási és a megerősítést kérő ablakban érintse meg a **Törlés** gombot.

# Troubleshooting Print Quality

Your Xerox® VersaLink® C625 Color Multifunction Printer is designed to produce high-quality color prints consistently. If you observe print-quality problems, use the information on these pages to troubleshoot the problems. For detailed online support information, go to [www.xerox.com/office/support](http://www.xerox.com/office/support).

**CAUTION:** The Xerox® warranty, Service Agreement, or Total Satisfaction Guarantee does not cover damage caused by using unsupported paper, transparencies, or other specialty media. The Total Satisfaction Guarantee is available in the United States and Canada. Coverage can vary outside of these areas. For details, contact your local representative.

## Paper Type

**CAUTION:** If you change the type of paper in the tray, change the paper type at the control panel to match the paper in the tray. If you fail to change the paper type, it can cause print-quality problems and damage the fuser.

For the best results, only use recommended Xerox® paper and media. Xerox® paper and media are guaranteed to produce excellent results on your Xerox® VersaLink® C625 Color Multifunction Printer. To order Xerox® paper and media, go to [www.xerox.com/office/supplies](http://www.xerox.com/office/supplies).


For a complete list of recommended paper for your printer, go to:

- North America: [www.xerox.com/rmlna](http://www.xerox.com/rmlna)
- Europe: [www.xerox.com/rmleu](http://www.xerox.com/rmleu)




## Solving Print-Quality Problems

Use the following tables to find specific solutions to print-quality problems.

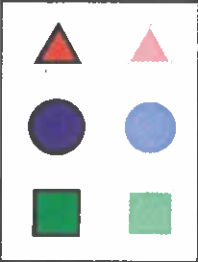
## Solving Print-Quality Problems

Problem	Solution
<p><b>Incomplete Fusing</b> Toner appears to be missing from the print, or rubs off easily.</p> 	<ol style="list-style-type: none"><li>1. Verify that the paper you are using is the correct type for the printer and is properly loaded. For a complete list of recommended paper for your printer, go to:<ul style="list-style-type: none"><li>– North America: <a href="http://www.xerox.com/rmlna">www.xerox.com/rmlna</a></li><li>– Europe: <a href="http://www.xerox.com/rmleu">www.xerox.com/rmleu</a></li></ul></li><li>2. Verify that the paper type is selected on the control panel and in the print driver.</li><li>3. If the problem persists, do one of the following: <b>Note:</b> To change the size, type, or color of paper in a dedicated tray when the control panel is locked, log in as the system administrator.<ol style="list-style-type: none"><li>a. For trays that are set to Dedicated:<ul style="list-style-type: none"><li>• At the control panel, touch <b>Log In</b>. Enter system administrator login information, then touch <b>Enter</b>. For details, refer to the <i>System Administrator Guide</i>.</li><li>• Touch <b>Device &gt; Tools &gt; Device Settings &gt; Paper Management &gt; Tray Settings</b>. Select the tray, touch <b>Edit</b>, then change the paper type.</li></ul></li><li>b. For trays that are set to Fully Adjustable:<ul style="list-style-type: none"><li>• Paper Trays: Open, then close the selected paper tray.</li><li>• Bypass Tray: Remove, then reinsert the paper.</li></ul></li></ol>The control panel prompts you to confirm or change the paper type.<ul style="list-style-type: none"><li>• At the touch screen, touch <b>Type</b>, then do one of the following:<ul style="list-style-type: none"><li>• Select the correct paper type, then touch <b>Confirm</b>.</li><li>• Select the next heavier type of paper, then touch <b>Confirm</b>.</li></ul></li></ul> <b>Note:</b> Paper types from lightest to heaviest are:<ul style="list-style-type: none"><li>• For uncoated paper: Plain, Lightweight Cardstock, and Cardstock.</li><li>• For coated paper: Lightweight Glossy Cardstock and Glossy Cardstock.</li></ul></li></ol>

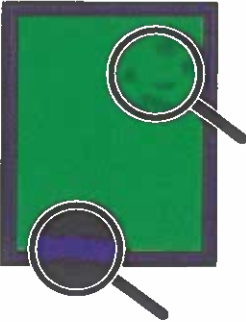

## Solving Print-Quality Problems (continued)

Problem	Solution
<p data-bbox="119 371 327 398"><b>Repeating Defects</b></p> <p data-bbox="119 409 582 526">Spots or lines appear at regular intervals on the page in the direction that the paper moves through the printer in all colors or in non-printed areas.</p>  <p data-bbox="119 837 582 927">Spots or lines appear at regular intervals on the page, in the direction the paper moves through the printer, and in one color only.</p> 	<ol data-bbox="670 371 1452 1272" style="list-style-type: none"><li>1. At the control panel, touch <b>Device &gt; Tools &gt; Troubleshooting &gt; Support Pages &gt; Repeating Defects Page &gt; Print</b>. The Repeating Defects Page prints with instructions for identifying defective units.</li><li>2. To correct the problem, replace items identified on the Repeating Defects Page. </li><li>3. If you replace a supply, reset the counter:<ol data-bbox="705 952 1452 1272" style="list-style-type: none"><li>a. At the control panel, touch <b>Log In</b>. Enter system administrator login information, then touch <b>Enter</b>. For details, refer to the <i>System Administrator Guide</i>.</li><li>b. Touch <b>Device &gt; Tools &gt; Device Settings</b>.</li><li>c. Scroll, then touch <b>Supplies &gt; Supply Counter Reset</b>.</li><li>d. Touch the replaced <b>Supply</b>.</li><li>e. Touch <b>Reset Counter</b>.</li><li>f. To close the pop-up window, touch <b>X</b>, touch <b>admin</b>, then select <b>Log Out</b>.</li></ol></li></ol>

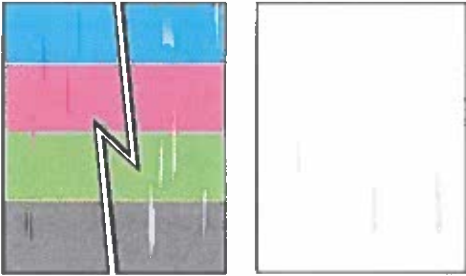
## Solving Print-Quality Problems (continued)

Problem	Solution
<p><b>Offset Image</b></p> <p>The most common offset is toner that appears to be reprinted on the page and placed about 95 mm (3.75 in.) across the page in the direction that the paper moves through the printer.</p> <p><b>Note:</b> For a different distance, use the Repeating Defects Page to identify the cause.</p> 	<ol style="list-style-type: none"> <li>Verify that the paper you are using is the correct paper type for the printer and is properly loaded. <ul style="list-style-type: none"> <li>For a complete list of recommended paper for your printer, go to: <ul style="list-style-type: none"> <li>– North America: <a href="http://www.xerox.com/rmlna">www.xerox.com/rmlna</a></li> <li>– Europe: <a href="http://www.xerox.com/rmleu">www.xerox.com/rmleu</a></li> </ul> </li> </ul> </li> <li>Verify that the paper type is selected on the control panel and in the print driver. <p><b>Note:</b> To change the size, type, or color of paper in a dedicated tray when the control panel is locked, log in as the system administrator.</p> </li> <li>If the problem persists, do one of the following: <p><b>Note:</b> To change the size, type, or color of paper in a dedicated tray when the control panel is locked, log in as the system administrator.</p> <ol style="list-style-type: none"> <li>For trays that are set to Dedicated: <ul style="list-style-type: none"> <li>At the control panel, touch <b>Log In</b>. Enter system administrator login information, then touch <b>Enter</b>. For details, refer to the <i>System Administrator Guide</i>.</li> <li>Touch <b>Device &gt; Tools &gt; Device Settings &gt; Paper Management &gt; Tray Settings</b>. Select the tray, touch <b>Edit</b>, then change the paper type.</li> </ul> </li> <li>For trays that are set to Fully Adjustable: <ul style="list-style-type: none"> <li>Paper Trays: Open, then close the selected paper tray.</li> <li>Bypass Tray: Remove, then reinsert the paper.</li> </ul> </li> </ol> <p>The control panel prompts you to confirm or change the paper type.</p> <ul style="list-style-type: none"> <li>At the touch screen, touch <b>Type</b>, then do one of the following: <ul style="list-style-type: none"> <li>Select the correct paper type, then touch <b>Confirm</b>.</li> <li>Select the next heavier type of paper, then touch <b>Confirm</b>.</li> </ul> </li> </ul> <p><b>Note:</b> Paper types from lightest to heaviest are:</p> <ul style="list-style-type: none"> <li>For uncoated paper: Plain, Lightweight Cardstock, and Cardstock.</li> <li>For coated paper: Lightweight Glossy Cardstock and Glossy Cardstock.</li> </ul> </li> <li>To identify the cause, use the Repeating Defects Page. For details, refer to the previous page.</li> </ol>

## Solving Print-Quality Problems (continued)

Problem	Solution
<p><b>Heavy Coverage Appears Mottled or Blotchy</b>  <b>Blacks Appear Blue</b></p> 	<ol style="list-style-type: none"> <li>1. Verify that the paper you are using is the correct type for the printer and is properly loaded.            For a complete list of recommended paper for your printer, go to:           <ul style="list-style-type: none"> <li>– North America: <a href="http://www.xerox.com/rmlna">www.xerox.com/rmlna</a></li> <li>– Europe: <a href="http://www.xerox.com/rmleu">www.xerox.com/rmleu</a></li> </ul> </li> <li>2. Verify that the paper type is selected on the control panel and in the print driver.</li> </ol> <p><b>Note:</b> If the problem continues, call for service.</p>
<p><b>Colors Align Incorrectly</b>            Color has shifted outside the designated area or is superimposed over another color.</p> 	<p>Open, then close the front door. The printer performs an automatic registration calibration with the next print.</p> <p><b>Note:</b> If the problem continues, call for service.</p>
<p><b>All Colors Too Light or Too Dark</b>            Colors appear faded or too dark on print or copy.</p>	<ol style="list-style-type: none"> <li>1. Verify that the paper you are using is the correct type for the printer and is properly loaded.            For a complete list of recommended paper for your printer, go to:           <ul style="list-style-type: none"> <li>– North America: <a href="http://www.xerox.com/rmlna">www.xerox.com/rmlna</a></li> <li>– Europe: <a href="http://www.xerox.com/rmleu">www.xerox.com/rmleu</a></li> </ul> </li> <li>2. Verify that the paper type is selected on the control panel and in the print driver.</li> </ol> <p><b>Note:</b> If the problem continues, refer to <i>User Guide</i> or call for service.</p>

## Solving Print-Quality Problems (continued)

Problem	Solution
<p><b>Lines, Smudges, or Streaks</b> Dark or light marks appear on the page in all colors and/or in non-printed areas.</p> 	<ol style="list-style-type: none"> <li>1. Verify that the paper you are using is the correct type for the printer and is properly loaded. For a complete list of recommended paper for your printer, go to: <ul style="list-style-type: none"> <li>– North America: <a href="http://www.xerox.com/rmlna">www.xerox.com/rmlna</a></li> <li>– Europe: <a href="http://www.xerox.com/rmleu">www.xerox.com/rmleu</a></li> </ul> </li> <li>2. Verify that the paper type is selected on the control panel and in the print driver.</li> <li>3. To identify the cause, refer to the Repeating Defects Page that prints with <i>Troubleshooting Print Quality Page</i>. At the control panel, touch <b>Device &gt; Tools &gt; Troubleshooting &gt; Support Pages &gt; Repeating Defects Page &gt; Print</b>.</li> <li>4. To correct the problem, replace items identified on the Repeating Defects Page.</li> </ol>
<p><b>Colors Vary Between Computers</b> The colors printed from one computer do not match the colors printed from a different computer.</p>	<ol style="list-style-type: none"> <li>1. Confirm that the print driver settings for Print Quality, Color Correction, and Color By Words are identical on both computers.</li> <li>2. Adjust the settings as needed.</li> </ol> <p><b>Note:</b> Print driver settings override the settings that are made at the printer control panel.</p>
<p><b>Colors Do Not Match</b> The color produced by the printer is different from the color that it must match.</p>	<p>For more information about color matching, go to the Online Support Assistant at <a href="http://www.xerox.com/office/support">www.xerox.com/office/support</a>.</p>
<p><b>Printed Colors Do Not Match Monitor Colors</b> The color produced by the printer looks different from the color that appears on the computer monitor.</p>	<p>To view information about color matching between the monitor and the printed document, go to the Online Support Assistant at <a href="http://www.xerox.com/office/support">www.xerox.com/office/support</a>.</p>

## Print-Quality Settings

The Print-Quality mode and Color Corrections options directly control the quality of your prints. You can change these settings in the print driver. Select the setting that is best suited for your print job.

### Print-Quality Mode

- **Enhanced** mode is the general-purpose mode for crisp, bright color prints. Enhanced mode balances speed with quality.
- **High Resolution** mode is a high-quality mode that creates fine lines and detail. High Resolution mode is recommended for vibrant, saturated color prints. High Resolution mode balances quality over speed.
- **Toner Saver** mode reduces the amount of toner used for print jobs and is useful for draft-quality output. Print quality is slightly lower than using Standard mode.

### Color Corrections

Color corrections are available on the Image Options tab in the print driver. The Preview window appears on the right side of the Image Options tab. When the Preview check box is selected, color correction appear in the Preview window. Selecting and clearing the Preview check box allows you to compare the corrected image to the uncorrected image.

To adjust the color characteristics of your print job, select the Color Correction tab, then select options as needed.

- **Xerox Black and White Conversion** converts the colors to grayscale, producing a black and white print job. This setting is useful for creating black and white master documents for photocopying or faxing.
- **Color Correction** provides options to match the printer colors as closely as possible to colors on other devices, such as your computer screen or a printing press.
  - **Automatic** applies the best color correction to each graphic element of the document: text, artwork, and photographs.
  - **Simulate LCD Display** approximates the print job color to the colors on a LCD computer monitor.
  - **sRGB Display** approximates the print job color to an RGB (red, green, blue) display.
  - **None** removes all color correction. This option is the best choice when working with color specified within your application or operating system.
- **Xerox Automatic Color** applies the best color correction to each graphic element of the document, including text, artwork, and photographs.
- **Custom Automatic Color** provides more options for customizing colors in your print job. Use one selection to adjust the color of the text and graphics. Use the other selection to adjust the color correction applied to images. You can apply a wide range of color options to each element to simulate the outputs of different color devices.

To adjust colors using descriptive phrases, select the **Color By Words** tab. From the menus, select the phrases to build a sentence that describes the color adjustment that you want. You can build more than one sentence for the print job, affecting one color or an entire range of colors.

To change settings for each individual color parameter, select the **Color Adjustments** tab, then adjust the sliders. The sliders allow you to select a continuous range of adjustment for each of the following:

- Lightness
- Contrast
- Saturation
- Cyan to Red
- Magenta to Green
- Yellow to Blue

For more information on color matching and ICC profiles, go to [www.xerox.com/office/support](http://www.xerox.com/office/support).

## Kellékfelhasználás

Kellékrendelési információk:  
[www.xerox.com/office/supplies](http://www.xerox.com/office/supplies)

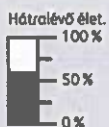
## Fogyóanyagok

## Festékkazetták



## Fekete

Üzembe helyezés dátuma: Feb 6, 2024  
Utánrendelés: 00  
Becsült fennmaradó oldalszám: 14500  
(A festékkazetta átlagos fedettségét alapul véve.: 3 %)



## Ciánkék

Üzembe helyezés dátuma: Jan 8, 2024  
Utánrendelés: 00  
Becsült fennmaradó oldalszám: 16000  
(A festékkazetta átlagos fedettségét alapul véve.: 1 %)



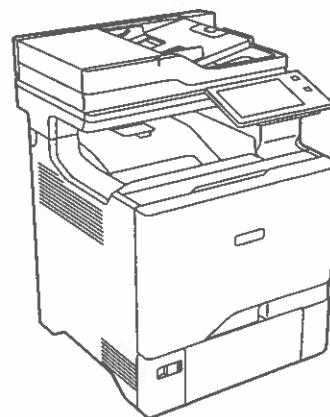
## Bíbor

Üzembe helyezés dátuma: Nov 28, 2024  
Utánrendelés: 00  
Becsült fennmaradó oldalszám: 16000  
(A festékkazetta átlagos fedettségét alapul véve.: 1 %)



## Sárga

Üzembe helyezés dátuma: Jul 24, 2024  
Utánrendelés: 00  
Becsült fennmaradó oldalszám: 16000  
(A festékkazetta átlagos fedettségét alapul véve.: 1 %)



## Rutin karbantartási elemek

## Képkötő egységek



## Fekete képkötő készlet

Üzembe helyezés dátuma: Feb 6, 2024  
Utánrendelés: 4  
Becsült fennmaradó oldalszám: 150000  
(Nyomtató átlagos munkamérete alapján: 1 Oldalak)



## Színes képkötő készlet

Üzembe helyezés dátuma: Feb 6, 2024  
Utánrendelés: 4  
Becsült fennmaradó oldalszám: 150000  
(Nyomtató átlagos munkamérete alapján: 1 Oldalak)



## Hulladéktartály



Üzembe helyezés dátuma: Dec 6, 2024  
Utánrendelés: 008

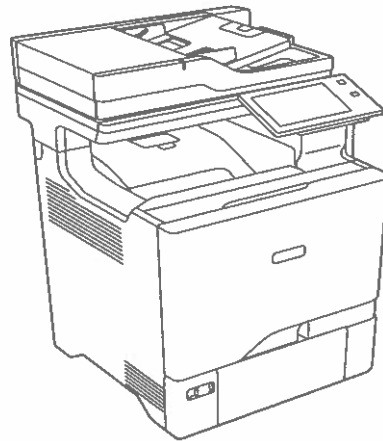
OK

Újrahasznosítási információk:  
[www.xerox.com/gwa](http://www.xerox.com/gwa)








# Xerox® VersaLink® C625 Color Multifunction Printer

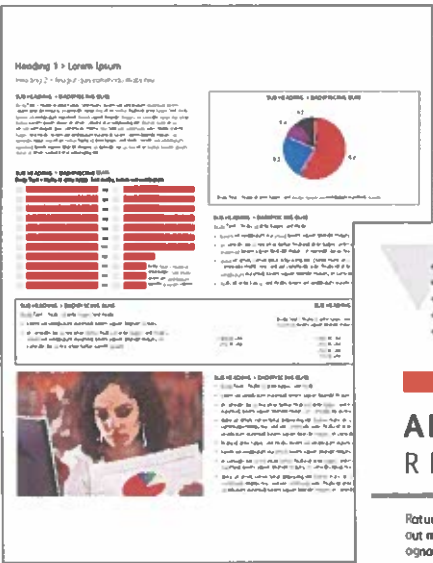
Powerful performance. Personalized productivity.

The VersaLink® C625 Color Multifunction Printer provides exceptional performance and unbeatable reliability. Cloud-connected, mobile-ready, app-enabled, and easy to customize, the C625 is your modern workplace assistant — transforming the way you work today, while ensuring you can keep up with the needs of tomorrow.



PRINT, COPY, SCAN, FAX, CLOUD

-  52 ppm Letter  
50 ppm A4
-  Solutions
-  Cloud connectivity
-  Single pass  
Two-sided scanning
-  1200 x 1200 dpi
-  Up to 2,850 pages
-  Optional: 4 additional  
paper trays




**ANNUAL REPORT**

Ratur, quam eiciandici  
aut moluptamus eosanin  
ognati ut omolestium

01 Ratur, quam eiciandici  
aut moluptamus eosanin

02 Ratur, quam eiciandici  
aut moluptamus eosanin

03 Ratur, quam eiciandici  
aut moluptamus eosanin

Ratur, quam eiciandici aut moluptamus eosanin  
im agnati ut omolestium re pillam reessum

+1 245 678 90  
Ratur, quam eiciandici  
Ratur@xerox.com

## Resident Fonts

Position	Font Name	Print Sample
1	Courier «Esc»(Symbol set«Esc»(s0p«pitch»h0s0b4099T	'ABCDEFGHabcdefgh0123456789&?!.,'
2	CG Times «Esc»(Symbol set«Esc»(s1p«size»v0s0b4101T	'ABCDEFGHabcdefgh0123456789&?!.,'
3	CG Times Bold «Esc»(Symbol set«Esc»(s1p«size»v0s3b4101T	'ABCDEFGHabcdefgh0123456789&?!.,'
4	CG Times Italic «Esc»(Symbol set«Esc»(s1p«size»v1s0b4101T	' <i>ABCDEFGHabcdefgh0123456789&amp;?!.,'</i>
5	CG Times Bold Italic «Esc»(Symbol set«Esc»(s1p«size»v1s3b4101T	' <i><b>ABCDEFGHabcdefgh0123456789&amp;?!.,'</b></i>
6	CG Omega «Esc»(Symbol set«Esc»(s1p«size»v0s0b4113T	'ABCDEFGHabcdefgh0123456789&?!.,'
7	CG Omega Bold «Esc»(Symbol set«Esc»(s1p«size»v0s3b4113T	' <b>ABCDEFGHabcdefgh0123456789&amp;?!.,'</b>
8	CG Omega Italic «Esc»(Symbol set«Esc»(s1p«size»v1s0b4113T	' <i>ABCDEFGHabcdefgh0123456789&amp;?!.,'</i>
9	CG Omega Bold Italic «Esc»(Symbol set«Esc»(s1p«size»v1s3b4113T	' <i><b>ABCDEFGHabcdefgh0123456789&amp;?!.,'</b></i>
10	Coronet «Esc»(Symbol set«Esc»(s1p«size»v1s0b4116T	' <i>ABCDEF<i>G</i>abcdefgh0123456789&amp;?!.,'</i>
11	Clarendon Condensed «Esc»(Symbol set«Esc»(s1p«size»v4s3b4140T	' <b>ABCDEFGHabcdefgh0123456789&amp;?!.,'</b>
12	Univers Medium «Esc»(Symbol set«Esc»(s1p«size»v0s0b4148T	'ABCDEFGHabcdefgh0123456789&?!.,'
13	Univers Bold «Esc»(Symbol set«Esc»(s1p«size»v0s3b4148T	' <b>ABCDEFGHabcdefgh0123456789&amp;?!.,'</b>
14	Univers Medium Italic «Esc»(Symbol set«Esc»(s1p«size»v1s0b4148T	' <i>ABCDEFGHabcdefgh0123456789&amp;?!.,'</i>
15	Univers Bold Italic «Esc»(Symbol set«Esc»(s1p«size»v1s3b4148T	' <i><b>ABCDEFGHabcdefgh0123456789&amp;?!.,'</b></i>
16	Univers Medium Condensed «Esc»(Symbol set«Esc»(s1p«size»v4s0b4148T	'ABCDEFGHabcdefgh0123456789&?!.,'
17	Univers Bold Condensed «Esc»(Symbol set«Esc»(s1p«size»v4s3b4148T	' <b>ABCDEFGHabcdefgh0123456789&amp;?!.,'</b>
18	Univers Medium Condensed Italic «Esc»(Symbol set«Esc»(s1p«size»v5s0b4148T	' <i><b>ABCDEFGHabcdefgh0123456789&amp;?!.,'</b></i>

## Resident Fonts

Position	Font Name	Print Sample
19	Univers Bold Condensed Italic «Esc»(Symbol set«Esc»(s1p«size»v5s3b4148T	' <b>ABCDEFGGabcdefg0123456789&amp;?!.,'</b>
20	Antique Olive «Esc»(Symbol set«Esc»(s1p«size»v0s0b4168T	'ABCDEFGabcdefg0123456789&?!.,'
21	Antique Olive Bold «Esc»(Symbol set«Esc»(s1p«size»v0s3b4168T	' <b>ABCDEFGGabcdefg0123456789&amp;?!.,'</b>
22	Antique Olive Italic «Esc»(Symbol set«Esc»(s1p«size»v1s0b4168T	' <i>ABCDEFGGabcdefg0123456789&amp;?!.,'</i>
23	Garamond Antiqua «Esc»(Symbol set«Esc»(s1p«size»v0s0b4197T	'ABCDEFGabcdefg0123456789&?!.,'
24	Garamond Halbfett «Esc»(Symbol set«Esc»(s1p«size»v0s3b4197T	' <b>ABCDEFGGabcdefg0123456789&amp;?!.,'</b>
25	Garamond Kursiv «Esc»(Symbol set«Esc»(s1p«size»v1s0b4197T	' <i>ABCDEFGGabcdefg0123456789&amp;?!.,'</i>
26	Garamond Kursiv Halbfett «Esc»(Symbol set«Esc»(s1p«size»v1s3b4197T	' <i><b>ABCDEFGGabcdefg0123456789&amp;?!.,'</b></i>
27	Marigold «Esc»(Symbol set«Esc»(s1p«size»v0s0b4297T	'ABCDEFGabcdefg0123456789&?!.,'
28	Albertus Medium «Esc»(Symbol set«Esc»(s1p«size»v0s1b4362T	'ABCDEFGabcdefg0123456789&?!.,'
29	Albertus Extra Bold «Esc»(Symbol set«Esc»(s1p«size»v0s4b4362T	' <b>ABCDEFGGabcdefg0123456789&amp;?!.,'</b>
30	Ryadh «Esc»(Symbol set«Esc»(s1p«size»v0s0b4859T	ABCDEFGabcdefg0123456789&?!.,'
31	Ryadh Bold «Esc»(Symbol set«Esc»(s1p«size»v0s3b4859T	<b>ABCDEFGabcdefg0123456789&amp;?!.,'</b>
32	Malka «Esc»(Symbol set«Esc»(s1p«size»v0s0b16584T	ABCDEFGabcdefg0123456789&?!.,'
33	Malka Bold «Esc»(Symbol set«Esc»(s1p«size»v0s3b16584T	<b>ABCDEFGabcdefg0123456789&amp;?!.,'</b>
34	Malka Italic «Esc»(Symbol set«Esc»(s1p«size»v1s0b16584T	<i>ABCDEFGabcdefg0123456789&amp;?!.,'</i>
35	Dorit «Esc»(Symbol set«Esc»(s1p«size»v0s0b16585T	ABCDEFGabcdefg0123456789&?!.,'
36	Dorit Bold «Esc»(Symbol set«Esc»(s1p«size»v0s3b16585T	<b>ABCDEFGabcdefg0123456789&amp;?!.,'</b>

## Resident Fonts

Position	Font Name	Print Sample
37	Naamit «Esc»(Symbol set«Esc»(s1p«size»v0s0b16587T	ABCDEFGFGabcdefg0123456789&!.,'
38	Naamit Bold «Esc»(Symbol set«Esc»(s1p«size»v0s3b16587T	<b>ABCDEFGFGabcdefg0123456789&amp;!.,'</b>
39	Arial «Esc»(Symbol set«Esc»(s1p«size»v0s0b16602T	'ABCDEFGFGabcdefg0123456789&!.,'
40	Arial Bold «Esc»(Symbol set«Esc»(s1p«size»v0s3b16602T	<b>'ABCDEFGFGabcdefg0123456789&amp;!.,'</b>
41	Arial Italic «Esc»(Symbol set«Esc»(s1p«size»v1s0b16602T	<i>'ABCDEFGFGabcdefg0123456789&amp;!.,'</i>
42	Arial Bold Italic «Esc»(Symbol set«Esc»(s1p«size»v1s3b16602T	<b><i>'ABCDEFGFGabcdefg0123456789&amp;!.,'</i></b>
43	Times New Roman «Esc»(Symbol set«Esc»(s1p«size»v0s0b16901T	'ABCDEFGFGabcdefg0123456789&!.,'
44	Times New Roman Bold «Esc»(Symbol set«Esc»(s1p«size»v0s3b16901T	<b>'ABCDEFGFGabcdefg0123456789&amp;!.,'</b>
45	Times New Roman Italic «Esc»(Symbol set«Esc»(s1p«size»v1s0b16901T	<i>'ABCDEFGFGabcdefg0123456789&amp;!.,'</i>
46	Times New Roman Bold Italic «Esc»(Symbol set«Esc»(s1p«size»v1s3b16901T	<b><i>'ABCDEFGFGabcdefg0123456789&amp;!.,'</i></b>
47	Helvetica «Esc»(Symbol set«Esc»(s1p«size»v0s0b24580T	'ABCDEFGFGabcdefg0123456789&!.,'
48	Helvetica Bold «Esc»(Symbol set«Esc»(s1p«size»v0s3b24580T	<b>'ABCDEFGFGabcdefg0123456789&amp;!.,'</b>
49	Helvetica Oblique «Esc»(Symbol set«Esc»(s1p«size»v1s0b24580T	<i>'ABCDEFGFGabcdefg0123456789&amp;!.,'</i>
50	Helvetica Bold Oblique «Esc»(Symbol set«Esc»(s1p«size»v1s3b24580T	<b><i>'ABCDEFGFGabcdefg0123456789&amp;!.,'</i></b>
51	Helvetica Narrow «Esc»(Symbol set«Esc»(s1p«size»v4s0b24580T	'ABCDEFGFGabcdefg0123456789&!.,'
52	Helvetica Narrow Bold «Esc»(Symbol set«Esc»(s1p«size»v4s3b24580T	<b>'ABCDEFGFGabcdefg0123456789&amp;!.,'</b>
53	Helvetica Narrow Oblique «Esc»(Symbol set«Esc»(s1p«size»v5s0b24580T	<i>'ABCDEFGFGabcdefg0123456789&amp;!.,'</i>
54	Helvetica Narrow Bold Oblique «Esc»(Symbol set«Esc»(s1p«size»v5s3b24580T	<b><i>'ABCDEFGFGabcdefg0123456789&amp;!.,'</i></b>

## Resident Fonts

Position	Font Name	Print Sample
55	Palatino Roman «Esc»(Symbol set«Esc»(s1p«size»v0s0b24591T	'ABCDEFGabcdefg0123456789&!.,'
56	Palatino Bold «Esc»(Symbol set«Esc»(s1p«size»v0s3b24591T	'ABCDEFGabcdefg0123456789&!.,'
57	Palatino Italic «Esc»(Symbol set«Esc»(s1p«size»v1s0b24591T	'ABCDEFGabcdefg0123456789&!.,'
58	Palatino Bold Italic «Esc»(Symbol set«Esc»(s1p«size»v1s3b24591T	'ABCDEFGabcdefg0123456789&!.,'
59	ITC Avant Garde Book «Esc»(Symbol set«Esc»(s1p«size»v0s0b24607T	'ABCDEFGabcdefg0123456789&!.,'
60	ITC Avant Garde DemiBold «Esc»(Symbol set«Esc»(s1p«size»v0s2b24607T	'ABCDEFGabcdefg0123456789&!.,'
61	ITC Avant Garde Book Oblique «Esc»(Symbol set«Esc»(s1p«size»v1s0b24607T	'ABCDEFGabcdefg0123456789&!.,'
62	ITC Avant Garde DemiBold Oblique «Esc»(Symbol set«Esc»(s1p«size»v1s2b24607T	'ABCDEFGabcdefg0123456789&!.,'
63	ITC Bookman Light «Esc»(Symbol set«Esc»(s1p«size»v0s-3b24623T	'ABCDEFGabcdefg0123456789&!.,'
64	ITC Bookman DemiBold «Esc»(Symbol set«Esc»(s1p«size»v0s2b24623T	'ABCDEFGabcdefg0123456789&!.,'
65	ITC Bookman Light Italic «Esc»(Symbol set«Esc»(s1p«size»v1s-3b24623T	'ABCDEFGabcdefg0123456789&!.,'
66	ITC Bookman DemiBold Italic «Esc»(Symbol set«Esc»(s1p«size»v1s2b24623T	'ABCDEFGabcdefg0123456789&!.,'
67	New Century Schoolbook Roman «Esc»(Symbol set«Esc»(s1p«size»v0s0b24703T	'ABCDEFGabcdefg0123456789&!.,'
68	New Century Schoolbook Bold «Esc»(Symbol set«Esc»(s1p«size»v0s3b24703T	'ABCDEFGabcdefg0123456789&!.,'
69	New Century Schoolbook Italic «Esc»(Symbol set«Esc»(s1p«size»v1s0b24703T	'ABCDEFGabcdefg0123456789&!.,'
70	New Century Schoolbook Bold Ital «Esc»(Symbol set«Esc»(s1p«size»v1s3b24703T	'ABCDEFGabcdefg0123456789&!.,'
71	Times Roman «Esc»(Symbol set«Esc»(s1p«size»v0s0b25093T	'ABCDEFGabcdefg0123456789&!.,'
72	Times Roman Bold «Esc»(Symbol set«Esc»(s1p«size»v0s3b25093T	'ABCDEFGabcdefg0123456789&!.,'



## Resident Fonts

Position	Font Name	Print Sample
91	Courier PS Bold «Esc»(Symbol set«Esc»(s0p«pitch»h0s3b24579T	' <b>ABCDEFGGabcdefg0123456789&amp;?!.,'</b>
92	Courier PS Oblique «Esc»(Symbol set«Esc»(s0p«pitch»h1s0b24579T	' <i>ABCDEFGGabcdefg0123456789&amp;?!.,'</i>
93	Courier PS Bold Oblique «Esc»(Symbol set«Esc»(s0p«pitch»h1s3b24579T	' <b><i>ABCDEFGGabcdefg0123456789&amp;?!.,'</i></b>
93	Line Printer «Esc»(8U«Esc»(s0p16.67h8.48v0s0b0T	' <b>ABCDEFGGabcdefg0123456789&amp;?!.,'</b>


# PostScript Font Listing

## Internal Fonts:

AlbertusMT	ABCDEFG abcdefg 0123456789 &?!\$.,€
AlbertusMT-Italic	ABCDEFG abcdefg 0123456789 &?!\$.,€
AlbertusMT-Light	ABCDEFG abcdefg 0123456789 &?!\$.,€
AntiqueOlive-Bold	ABCDEFG abcdefg 0123456789 &?!\$.,€
AntiqueOlive-Compact	<b>ABCDEFG abcdefg 0123456789 &amp;?!\$.,€</b>
AntiqueOlive-Italic	ABCDEFG abcdefg 0123456789 &?!\$.,€
AntiqueOlive-Roman	ABCDEFG abcdefg 0123456789 &?!\$.,€
Apple-Chancery	ABCDEFG abcdefg 0123456789 &?!\$.,€
Arial-BoldItalicMT	ABCDEFG abcdefg 0123456789 &?!\$.,€
Arial-BoldMT	ABCDEFG abcdefg 0123456789 &?!\$.,€
Arial-ItalicMT	ABCDEFG abcdefg 0123456789 &?!\$.,€
ArialMT	ABCDEFG abcdefg 0123456789 &?!\$.,€
AvantGarde-Book	ABCDEFG abcdefg 0123456789 &?!\$.,€
AvantGarde-BookOblique	ABCDEFG abcdefg 0123456789 &?!\$.,€
AvantGarde-Demi	ABCDEFG abcdefg 0123456789 &?!\$.,€
AvantGarde-DemiOblique	ABCDEFG abcdefg 0123456789 &?!\$.,€
Bodoni	ABCDEFG abcdefg 0123456789 &?!\$.,€
Bodoni-Bold	ABCDEFG abcdefg 0123456789 &?!\$.,€
Bodoni-BoldItalic	ABCDEFG abcdefg 0123456789 &?!\$.,€
Bodoni-Italic	ABCDEFG abcdefg 0123456789 &?!\$.,€
Bodoni-Poster	<b>ABCDEFG abcdefg 0123456789 &amp;?!\$.,€</b>
Bodoni-PosterCompressed	ABCDEFG abcdefg 0123456789 &?!\$.,€
Bookman-Demi	ABCDEFG abcdefg 0123456789 &?!\$.,€
Bookman-DemiItalic	ABCDEFG abcdefg 0123456789 &?!\$.,€
Bookman-Light	ABCDEFG abcdefg 0123456789 &?!\$.,€
Bookman-LightItalic	ABCDEFG abcdefg 0123456789 &?!\$.,€
Carta	ABCDEFG abcdefg 0123456789 &?!\$.,€
Chicago	ABCDEFG abcdefg 0123456789 &?!\$.,€
Clarendon	ABCDEFG abcdefg 0123456789 &?!\$.,€
Clarendon-Bold	ABCDEFG abcdefg 0123456789 &?!\$.,€
Clarendon-Light	ABCDEFG abcdefg 0123456789 &?!\$.,€
CooperBlack	<b>ABCDEFG abcdefg 0123456789 &amp;?!\$.,€</b>
CooperBlack-Italic	<b>ABCDEFG abcdefg 0123456789 &amp;?!\$.,€</b>
Copperplate-ThirtyThreeBC	ABCDEFG ABCDEFG 0123456789 &?!\$.,€
Copperplate-ThirtyTwoBC	ABCDEFG ABCDEFG 0123456789 &?!\$.,€
Coronet-Regular	ABCDEFG abcdefg 0123456789 &?!\$.,€
Courier	ABCDEFG abcdefg 0123456789 &?!\$.,€
Courier-Bold	ABCDEFG abcdefg 0123456789 &?!\$.,€
Courier-BoldOblique	ABCDEFG abcdefg 0123456789 &?!\$.,€
Courier-Oblique	ABCDEFG abcdefg 0123456789 &?!\$.,€
Eurostile	ABCDEFG abcdefg 0123456789 &?!\$.,€
Eurostile-Bold	<b>ABCDEFG abcdefg 0123456789 &amp;?!\$.,€</b>
Eurostile-BoldExtendedTwo	<b>ABCDEFG abcdefg 0123456789 &amp;?!\$.,€</b>
Eurostile-ExtendedTwo	ABCDEFG abcdefg 0123456789 &?!\$.,€
Geneva	ABCDEFG abcdefg 0123456789 &?!\$.,€
GillSans	ABCDEFG abcdefg 0123456789 &?!\$.,€
GillSans-Bold	<b>ABCDEFG abcdefg 0123456789 &amp;?!\$.,€</b>
GillSans-BoldCondensed	ABCDEFG abcdefg 0123456789 &?!\$.,€
GillSans-BoldItalic	ABCDEFG abcdefg 0123456789 &?!\$.,€
GillSans-Condensed	ABCDEFG abcdefg 0123456789 &?!\$.,€
GillSans-ExtraBold	<b>ABCDEFG abcdefg 0123456789 &amp;?!\$.,€</b>
GillSans-Italic	ABCDEFG abcdefg 0123456789 &?!\$.,€
GillSans-Light	ABCDEFG abcdefg 0123456789 &?!\$.,€
GillSans-LightItalic	ABCDEFG abcdefg 0123456789 &?!\$.,€
Goudy	ABCDEFG abcdefg 0123456789 &?!\$.,€
Goudy-Bold	ABCDEFG abcdefg 0123456789 &?!\$.,€
Goudy-BoldItalic	ABCDEFG abcdefg 0123456789 &?!\$.,€
Goudy-ExtraBold	ABCDEFG abcdefg 0123456789 &?!\$.,€
Goudy-Italic	ABCDEFG abcdefg 0123456789 &?!\$.,€
GreekMono737	ABCDEFG abcdefg 0123456789 &?!\$.,€
GreekMono737-Bold	<b>ABCDEFG abcdefg 0123456789 &amp;?!\$.,€</b>
GreekMono737-BoldItalic	<b>ABCDEFG abcdefg 0123456789 &amp;?!\$.,€</b>
GreekMono737-Italic	ABCDEFG abcdefg 0123456789 &?!\$.,€
GreekMono851	ABCDEFG abcdefg 0123456789 &?!\$.,€
GreekMono851-Bold	<b>ABCDEFG abcdefg 0123456789 &amp;?!\$.,€</b>
GreekMono851-BoldItalic	<b>ABCDEFG abcdefg 0123456789 &amp;?!\$.,€</b>
GreekMono851-Italic	ABCDEFG abcdefg 0123456789 &?!\$.,€
GreekMono8859-7	ABCDEFG abcdefg 0123456789 &?!\$.,€
GreekMono8859-7Bold	<b>ABCDEFG abcdefg 0123456789 &amp;?!\$.,€</b>

# PostScript Font Listing

## Internal Fonts (continued):

GreekMono8859-7BoldItalic	<b>ABCDEFg abcdefg 0123456789 &amp;?!\$.,</b>
GreekMono8859-7Italic	<i>ABCDEFg abcdefg 0123456789 &amp;?!\$.,</i>
GreekSans737	ABCDEFg abcdefg 0123456789 &?!\$.,
GreekSans737-Bold	<b>ABCDEFg abcdefg 0123456789 &amp;?!\$.,</b>
GreekSans737-BoldItalic	<b><i>ABCDEFg abcdefg 0123456789 &amp;?!\$.,</i></b>
GreekSans737-Italic	<i>ABCDEFg abcdefg 0123456789 &amp;?!\$.,</i>
GreekSans851	ABCDEFg abcdefg 0123456789 &?!\$.,
GreekSans851-Bold	<b>ABCDEFg abcdefg 0123456789 &amp;?!\$.,</b>
GreekSans851-BoldItalic	<b><i>ABCDEFg abcdefg 0123456789 &amp;?!\$.,</i></b>
GreekSans851-Italic	<i>ABCDEFg abcdefg 0123456789 &amp;?!\$.,</i>
GreekSans8859-7	ABCDEFg abcdefg 0123456789 &?!\$.,
GreekSans8859-7Bold	<b>ABCDEFg abcdefg 0123456789 &amp;?!\$.,</b>
GreekSans8859-7BoldItalic	<b><i>ABCDEFg abcdefg 0123456789 &amp;?!\$.,</i></b>
GreekSans8859-7Italic	<i>ABCDEFg abcdefg 0123456789 &amp;?!\$.,</i>
GreekSerif737	ABCDEFg abcdefg 0123456789 &?!\$.,
GreekSerif737-Bold	<b>ABCDEFg abcdefg 0123456789 &amp;?!\$.,</b>
GreekSerif737-BoldItalic	<b><i>ABCDEFg abcdefg 0123456789 &amp;?!\$.,</i></b>
GreekSerif737-Italic	<i>ABCDEFg abcdefg 0123456789 &amp;?!\$.,</i>
GreekSerif851	ABCDEFg abcdefg 0123456789 &?!\$.,
GreekSerif851-Bold	<b>ABCDEFg abcdefg 0123456789 &amp;?!\$.,</b>
GreekSerif851-BoldItalic	<b><i>ABCDEFg abcdefg 0123456789 &amp;?!\$.,</i></b>
GreekSerif851-Italic	<i>ABCDEFg abcdefg 0123456789 &amp;?!\$.,</i>
GreekSerif8859-7	ABCDEFg abcdefg 0123456789 &?!\$.,
GreekSerif8859-7Bold	<b>ABCDEFg abcdefg 0123456789 &amp;?!\$.,</b>
GreekSerif8859-7BoldItalic	<b><i>ABCDEFg abcdefg 0123456789 &amp;?!\$.,</i></b>
GreekSerif8859-7Italic	<i>ABCDEFg abcdefg 0123456789 &amp;?!\$.,</i>
Helvetica	ABCDEFg abcdefg 0123456789 &?!\$.,€
Helvetica-Bold	<b>ABCDEFg abcdefg 0123456789 &amp;?!\$.,€</b>
Helvetica-BoldOblique	<b><i>ABCDEFg abcdefg 0123456789 &amp;?!\$.,€</i></b>
Helvetica-Condensed	ABCDEFg abcdefg 0123456789 &?!\$.,€
Helvetica-Condensed-Bold	<b>ABCDEFg abcdefg 0123456789 &amp;?!\$.,€</b>
Helvetica-Condensed-BoldOblique	<b><i>ABCDEFg abcdefg 0123456789 &amp;?!\$.,€</i></b>
Helvetica-Condensed-Oblique	<i>ABCDEFg abcdefg 0123456789 &amp;?!\$.,€</i>
Helvetica-Narrow	ABCDEFg abcdefg 0123456789 &?!\$.,€
Helvetica-Narrow-Bold	<b>ABCDEFg abcdefg 0123456789 &amp;?!\$.,€</b>
Helvetica-Narrow-BoldOblique	<b><i>ABCDEFg abcdefg 0123456789 &amp;?!\$.,€</i></b>
Helvetica-Narrow-Oblique	<i>ABCDEFg abcdefg 0123456789 &amp;?!\$.,€</i>
Helvetica-Oblique	<i>ABCDEFg abcdefg 0123456789 &amp;?!\$.,€</i>
HoeflerText-Black	<b>ABCDEFg abcdefg 0123456789 &amp;?!\$.,€</b>
HoeflerText-BlackItalic	<b><i>ABCDEFg abcdefg 0123456789 &amp;?!\$.,€</i></b>
HoeflerText-Italic	<i>ABCDEFg abcdefg 0123456789 &amp;?!\$.,€</i>
HoeflerText-Ornaments	
HoeflerText-Regular	ABCDEFg abcdefg 0123456789 &?!\$.,€
JoannaMT	ABCDEFg abcdefg 0123456789 &?!\$.,€
JoannaMT-Bold	<b>ABCDEFg abcdefg 0123456789 &amp;?!\$.,€</b>
JoannaMT-BoldItalic	<b><i>ABCDEFg abcdefg 0123456789 &amp;?!\$.,€</i></b>
JoannaMT-Italic	<i>ABCDEFg abcdefg 0123456789 &amp;?!\$.,€</i>
LetterGothic	ABCDEFg abcdefg 0123456789 &?!\$.,€
LetterGothic-Bold	<b>ABCDEFg abcdefg 0123456789 &amp;?!\$.,€</b>
LetterGothic-BoldSlanted	<b><i>ABCDEFg abcdefg 0123456789 &amp;?!\$.,€</i></b>
LetterGothic-Slanted	<i>ABCDEFg abcdefg 0123456789 &amp;?!\$.,€</i>
LubalinGraph-Book	ABCDEFg abcdefg 0123456789 &?!\$.,€
LubalinGraph-BookOblique	<i>ABCDEFg abcdefg 0123456789 &amp;?!\$.,€</i>
LubalinGraph-Demi	<b>ABCDEFg abcdefg 0123456789 &amp;?!\$.,€</b>
LubalinGraph-DemiOblique	<b><i>ABCDEFg abcdefg 0123456789 &amp;?!\$.,€</i></b>
Marigold	ABCDEFg abcdefg 0123456789 &?!\$.,€
Monalisa-Recut	ABCDEFg abcdefg 0123456789 &?!\$.,€
Monaco	ABCDEFg abcdefg 0123456789 &?!\$.,€
NewCenturySchlbk-Bold	<b>ABCDEFg abcdefg 0123456789 &amp;?!\$.,€</b>
NewCenturySchlbk-BoldItalic	<b><i>ABCDEFg abcdefg 0123456789 &amp;?!\$.,€</i></b>
NewCenturySchlbk-Italic	<i>ABCDEFg abcdefg 0123456789 &amp;?!\$.,€</i>
NewCenturySchlbk-Roman	ABCDEFg abcdefg 0123456789 &?!\$.,€
NewYork	ABCDEFg abcdefg 0123456789 &?!\$.,€
Optima	ABCDEFg abcdefg 0123456789 &?!\$.,€
Optima-Bold	<b>ABCDEFg abcdefg 0123456789 &amp;?!\$.,€</b>
Optima-BoldItalic	<b><i>ABCDEFg abcdefg 0123456789 &amp;?!\$.,€</i></b>
Optima-Italic	<i>ABCDEFg abcdefg 0123456789 &amp;?!\$.,€</i>
Oxford	ABCDEFg abcdefg 0123456789 &?!\$.,€
Palatino-Bold	<b>ABCDEFg abcdefg 0123456789 &amp;?!\$.,€</b>

# PostScript Font Listing

## Internal Fonts (continued):

Palatino-BoldItalic	<i>ABCDEF</i> <i>abcdefg</i> 0123456789 &?!\$,%
Palatino-Italic	<i>ABCDEF</i> <i>abcdefg</i> 0123456789 &?!\$,%
Palatino-Roman	ABCDEF <i>abcdefg</i> 0123456789 &?!\$,%
StempelGaramond-Bold	<b>ABCDEF</b> <i>abcdefg</i> 0123456789 &?!\$,%
StempelGaramond-BoldItalic	<b><i>ABCDEF</i></b> <i>abcdefg</i> 0123456789 &?!\$,%
StempelGaramond-Italic	<i>ABCDEF</i> <i>abcdefg</i> 0123456789 &?!\$,%
StempelGaramond-Roman	ABCDEF <i>abcdefg</i> 0123456789 &?!\$,%
Symbol	ΑΒΧΔΕΦΓ αβγδεϕγ 0123456789 &!\$,%
Tekton	ABCDEF <i>abcdefg</i> 0123456789 &?!\$,%
Times-Bold	<b>ABCDEF</b> <i>abcdefg</i> 0123456789 &?!\$,%
Times-BoldItalic	<b><i>ABCDEF</i></b> <i>abcdefg</i> 0123456789 &?!\$,%
Times-Italic	<i>ABCDEF</i> <i>abcdefg</i> 0123456789 &?!\$,%
Times-Roman	ABCDEF <i>abcdefg</i> 0123456789 &?!\$,%
TimesNewRomanPS-BoldItalicMT	<b><i>ABCDEF</i></b> <i>abcdefg</i> 0123456789 &?!\$,%
TimesNewRomanPS-BoldMT	<b>ABCDEF</b> <i>abcdefg</i> 0123456789 &?!\$,%
TimesNewRomanPS-ItalicMT	<i>ABCDEF</i> <i>abcdefg</i> 0123456789 &?!\$,%
TimesNewRomanPSMT	ABCDEF <i>abcdefg</i> 0123456789 &?!\$,%
Univers	ABCDEF <i>abcdefg</i> 0123456789 &?!\$,%
Univers-Bold	<b>ABCDEF</b> <i>abcdefg</i> 0123456789 &?!\$,%
Univers-BoldExt	<b>ABCDEF</b> <i>abcdefg</i> 0123456789 &?!\$,%
Univers-BoldExtObl	<b><i>ABCDEF</i></b> <i>abcdefg</i> 0123456789 &?!\$,%
Univers-BoldOblique	<b><i>ABCDEF</i></b> <i>abcdefg</i> 0123456789 &?!\$,%
Univers-Condensed	ABCDEF <i>abcdefg</i> 0123456789 &?!\$,%
Univers-CondensedBold	<b>ABCDEF</b> <i>abcdefg</i> 0123456789 &?!\$,%
Univers-CondensedBoldOblique	<b><i>ABCDEF</i></b> <i>abcdefg</i> 0123456789 &?!\$,%
Univers-CondensedOblique	<i>ABCDEF</i> <i>abcdefg</i> 0123456789 &?!\$,%
Univers-Extended	ABCDEF <i>abcdefg</i> 0123456789 &?!\$,%
Univers-ExtendedObl	<i>ABCDEF</i> <i>abcdefg</i> 0123456789 &?!\$,%
Univers-Light	ABCDEF <i>abcdefg</i> 0123456789 &?!\$,%
Univers-LightOblique	<i>ABCDEF</i> <i>abcdefg</i> 0123456789 &?!\$,%
Univers-Oblique	<i>ABCDEF</i> <i>abcdefg</i> 0123456789 &?!\$,%
Wingdings	Ⓐ Ⓑ Ⓒ Ⓓ Ⓔ Ⓕ Ⓖ Ⓗ Ⓘ Ⓚ Ⓛ Ⓜ Ⓝ Ⓟ Ⓠ Ⓡ Ⓢ Ⓣ Ⓤ Ⓥ Ⓦ Ⓧ Ⓨ Ⓩ ⓐ ⓑ ⓓ ⓔ ⓖ ⓗ ⓙ ⓚ ⓛ ⓜ ⓞ ⓟ ⓠ ⓡ ⓢ ⓣ ⓤ ⓥ ⓦ ⓧ ⓨ ⓩ ⓪ ⓫ ⓬ ⓭ ⓮ ⓯ ⓰ ⓱ ⓲ ⓳ ⓴ ⓵ ⓶ ⓷ ⓸ ⓹ ⓺ ⓻ ⓼ ⓽ ⓾ ⓿ Ⓚ Ⓛ Ⓜ Ⓝ Ⓟ Ⓠ Ⓡ Ⓢ Ⓣ Ⓤ Ⓥ Ⓦ Ⓧ Ⓨ Ⓩ ⓐ ⓑ ⓓ ⓔ ⓖ ⓗ ⓙ ⓚ ⓛ ⓜ ⓞ ⓟ ⓠ ⓡ ⓢ ⓣ ⓤ ⓥ ⓦ ⓧ ⓨ ⓩ ⓪ ⓫ ⓬ ⓭ ⓮ ⓯ ⓰ ⓱ ⓲ ⓳ ⓴ ⓵ ⓶ ⓷ ⓸ ⓹ ⓺ ⓻ ⓼ ⓽ ⓾ ⓿
Wingdings-Regular	Ⓐ Ⓑ Ⓒ Ⓓ Ⓔ Ⓕ Ⓖ Ⓗ Ⓘ Ⓚ Ⓛ Ⓜ Ⓝ Ⓟ Ⓠ Ⓡ Ⓢ Ⓣ Ⓤ Ⓥ Ⓦ Ⓧ Ⓨ Ⓩ ⓐ ⓑ ⓓ ⓔ ⓖ ⓗ ⓙ ⓚ ⓛ ⓜ ⓞ ⓟ ⓠ ⓡ ⓢ ⓣ ⓤ ⓥ ⓦ ⓧ ⓨ ⓩ ⓪ ⓫ ⓬ ⓭ ⓮ ⓯ ⓰ ⓱ ⓲ ⓳ ⓴ ⓵ ⓶ ⓷ ⓸ ⓹ ⓺ ⓻ ⓼ ⓽ ⓾ ⓿
ZapfChancery-MediumItalic	<i>ABCDEF</i> <i>abcdefg</i> 0123456789 &?!\$,%
ZapfDingbats	⠠ ⠡ ⠢ ⠣ ⠤ ⠥ ⠦ ⠧ ⠨ ⠩ ⠪ ⠫ ⠬ ⠭ ⠮ ⠯ ⠰ ⠱ ⠲ ⠳ ⠴ ⠵ ⠶ ⠷ ⠸ ⠹ ⠺ ⠻ ⠼ ⠽ ⠾ ⠿ ⠀ ⠁ ⠂ ⠃ ⠄ ⠅ ⠆ ⠇ ⠈ ⠉ ⠊ ⠋ ⠌ ⠍ ⠎ ⠏ ⠑ ⠒ ⠓ ⠔ ⠕ ⠖ ⠗ ⠘ ⠙ ⠚ ⠛ ⠜ ⠝ ⠞ ⠟ ⠠ ⠡ ⠢ ⠣ ⠤ ⠥ ⠦ ⠧ ⠨ ⠩ ⠪ ⠫ ⠬ ⠭ ⠮ ⠯ ⠰ ⠱ ⠲ ⠳ ⠴ ⠵ ⠶ ⠷ ⠸ ⠹ ⠺ ⠻ ⠼ ⠽ ⠾ ⠿ ⠀ ⠁ ⠂ ⠃ ⠄ ⠅ ⠆ ⠇ ⠈ ⠉ ⠊ ⠋ ⠌ ⠍ ⠎ ⠏ ⠑ ⠒ ⠓ ⠔ ⠕ ⠖ ⠗ ⠘ ⠙ ⠚ ⠛ ⠜ ⠝ ⠞ ⠟ ⠠ ⠡ ⠢ ⠣ ⠤ ⠥ ⠦ ⠧ ⠨ ⠩ ⠪ ⠫ ⠬ ⠭ ⠮ ⠯ ⠰ ⠱ ⠲ ⠳ ⠴ ⠵ ⠶ ⠷ ⠸ ⠹ ⠺ ⠻ ⠼ ⠽ ⠾ ⠿

## Dados comuns de usuário

Nome da máquina:	Xerox VersaLink C625 Color MFP (A7-A...
Endereço IP:	10.61.12.186
Número de série da máquina:	5322480247
Linha 1 do fax:	
URL da máquina:	https://10.61.12.186
Data de ativação da máquina:	Jan 01, 1970 05:30:00
Impressões em preto:	1276
Impressões em cor:	1077
Total de impressões:	2353

## Perfil da máquina

Tag de Recurso Xerox	
Tag de Recurso do Cliente	
Núm. Telef. do Atend. Técnico:	
Número do atendimento ao cliente:	
Número de telefone de fornecimento:	
Administrador do sistema:	Nome do administrador do sistema não conf...
Local da máquina:	local da máquina não configurado

## Gerenciado por

Servidor MB primária:

## Hardware da máquina

Placa de Fax:	Não instalado
Tamanho da Memória de Fax:	0 MB
Placa de interface externa:	ausente
Tamanho da RAM do dispositivo:	3904 MB
Tamanho do armazenamento do disposit...	usado=3008MB/total=13925MB (eMMC)
Tamanho da Memória de EPC:	187 MB
Kit de produtividade:	Não instalado
Tipo de Mód. de Acab.:	Bandeja Coletora Simples
Perf. do Módulo de Acabamento	Nenhum
Pasta do Módulo de Acabamento:	ausente
Kit de detecção de alimentação múlti...	Não instalado

## Configuração geral

Serviços remotos:	Ativado
Download de software remoto:	Ativado
Hora de transm. dos serviços remotos:	11:10
Xerox Workplace Cloud	Ativado
Alertas de e-mail:	Desativado
Plano de serviço:	Medido
Região Geográfica	desconhecido
Deslocamento GMT:	+05:30
Instalação de clone	Permitido (Apenas arquivos criptogr...
Compartilhamento de arquivo	Ativado
JBIG2	Sem perdas
<b>Economia de energia</b>	
Repouso profundo:	Ativado
Modo de economia de energia:	Trabalho ativado
<b>Sensor inteligente de proxim...</b>	Indisponível
Despertar na chegada:	
Repouso na partida:	

## Versões de software

Software do dispositivo:	122.024.004.35400
Versão do patch:	Nenhum
Controladora de rede:	122.024.35400
Firmware do painel de IU:	6.2
Mecanismo de marcação:	230.315
Alimentador de documentos:	230.315
Módulo de acabamento:	000.000.000
Fax:	000.000.000
Scanner:	230.315
<b>Atualizações da máquina:</b>	Permitido
Última atualização bem-sucedida:	Dezembro 24, 2024 11:39:56

## Bandejas de material

Bandeja 1:	Normal, Branco and A4 (210 x 297 mm)
Bandeja 2:	Normal, Branco and A4 (210 x 297 mm)
Bandeja 3:	Bond, Branco and A4 (210 x 297 mm)
Bandeja 4:	Reciclado, Branco and A4 (210 x 297 mm)
Bandeja 5:	Cartão brilhante de baixa gramatura, Bran...
Bandeja Manual:	Normal, Branco and A4 (210 x 297 mm)

## Opções instaladas

PS:	Instalado
-----	-----------

## Conectividade

### Fluxos de trabalho móveis

Impressão AirPrint:	Ativado
Descoberta de impressão Mopria:	Ativado
Digitalização do AirPrint/Mopria	Ativado
Autenticação	Desativado

### Conexões físicas

Configurações de USB	
Portas USB Tipo A	Tudo ativado
Porta USB Tipo B	Desativado
Com fio:	Ativado
Endereço MAC de Ethernet:	56:80:0e:a7:a8:9c
Velocidade Ethernet/Configuração de fren...	Auto
Sem fio:	Desativado

Endereço MAC sem fio:	
Nome da rede (SSID):	
BSSID:	
Modo de segurança:	
Algoritmo de criptografia:	
Status:	
Wi-Fi Direct:	Ativado
Hardware sem fio:	Não instalado
Nome da Configuração Protegida de Wi-Fi ...	
Ponto de acesso (SSID):	
Mostrar senha na tela de seleção por toqu...	
NFC:	Ativado
iBeacon (Bluetooth®) para descoberta de ...	Ativado
Hardware de iBeacon:	Não instalado
Endereço do dispositivo Bluetooth:	
Endereço IP de iBeacon:	

## Protocolos

### TCP/IPv4:

Endereço IP:	10.61.12.186
Máscara de sub-rede:	255.255.255.0
Roteador/Gateway:	10.61.12.1
Endereçamento Automático:	DHCP
Servidor DHCP:	10.61.13.224
Expiração do contrato de locação do ...	Fri Jan 10 16:35:33 2025
Transmissão BOOTP:	Desativado
Estado do endereço auto-atribuído:	Ativado
Endereço auto-atribuído:	

### TCP/IPv6:

Endereço do local do link:	Ativado
Usar prefixo do router fornecido:	fe80::5480:eff:fea7:a89c
Endereço global 1:	Ativado
Endereço global 2:	f000:0:2:112:5480:eff:fea7:a89c
Endereço manual:	::
Endereçamento DHCP:	Use o DHCP como direcionado por um r...
Endereço DHCP:	
Gateway Padrão:	fe80::8afc:5dff:fe75:e282
DUID (Identificador exclusivo do protocol...	

### Configurações de DNS:

Nome do host solicitado:	XR56800EA7A89C
Nome do host verificado:	
Nome do domínio solicitado:	
Nome do domínio verificado:	
DNS de multidifusão:	Ativado
Liberar Locações de DHCP e Registros de ...	Desativado
Servidor DNS Primário:	10.61.7.15
Preferir IPv6 DNS em vez de IPv4:	Ativado

### Bonjour:

Nome da impressora Bonjour:	Xerox VersaLink C625 Color MFP (A7-A...
HTTP:	Ativado
Forçar tráfego sobre Conexão Segura (H...	Sim
IPP:	Ativado

### SNMP

SNMP v1/v2:	Ativado
SNMP v3:	Desativado

### LPR/LPD:

Impressão IP bruta:	Ativado
---------------------	---------

### LDAP

Endereço LDAP primário do Servidor 1 de...	0.0.0.389
Raiz do diretório de busca do Servidor 1 d...	
Conexão segura do Servidor 1 de LDAP (...	Desativado
Validar certificado de servidor (confiável,...	Desativado

### SMTP

Servidor SMTP:	10.61.10.8:25
Criptografia de Conexão (TLS):	Sem Criptografia
Validar Certificado de Servidor (TLS):	

**Protocolos (cont.)**

<b>POP3</b>	
Servidor POP3:	0.0.0.0:110
POP3 Conexão segura (TLS):	Desativado
Endereço de e-mail:	
<b>NTP:</b>	Desativado
<b>Cliente FTP:</b>	Ativado
Modo Cliente FTP:	Passivo
<b>Serviços da Web no dispositivo:</b>	Ativado

**Aplicativos****Imprimindo**

Folha de identificação:	Desativado
Folhas de erro:	Ativado
Substituição de papel:	Ativado
Prioridade de Bandeja:	1,2,3,4,5,6
<b>Modo de marcação de arquivo</b>	Desligado
<b>PostScript</b>	Instalado
Nível:	3
Versão:	3021.101
<b>PCL</b>	
Versão:	6
Nome da fonte:	Courier
<b>Tabelas de cores personalizadas</b>	Ativado
Etiqueta:	Não instalado
<b>Fax:</b>	Não instalado

**Fax de servidor:**

Linha 1 do fax:	
Linha 2 do fax:	
Protocolo do repositório:	SFTP
Servidor do repositório:	10.61.23.93:22
Caminho de documentos do repositório:	\

**Digitalização de fluxos de trabalho:**

<b>E-mail:</b>	Ativado
<b>Digitalizar para caixa postal:</b>	Ativado
Capacidade de armazenamento (MB):	672 MB
Armazenamento usado (MB):	49 MB
Limpeza de pastas públicas:	Ativado
Limpeza de pastas criadas:	Ativado
Hora da limpeza:	Diária
<b>Digitalizar para Home:</b>	Desativado

**Digitalizar para:**

Serviços em nuvem	Desativado
-------------------	------------

**Imprimir de:**

Trabalhos salvos para reimpressão:	Ativado
Imprimir de USB:	Ativado
Imprimir a partir de Caixa postal:	Desativado
Serviços em nuvem	Desativado

**Contabilidade**

Modo Contabilidade:	Nenhum
Contabilidade de rede:	Desativado

**Segurança****Configuração da Autenticação**

<b>Autenticação da IU da máquina:</b>	Localmente no Dispositivo
Página inicial:	Desbloqueado
Trabalhos:	Desbloqueado
Dispositivo:	Desbloqueado
Autenticação do site do dispositivo:	Localmente no Dispositivo
Autorização:	Localmente no Dispositivo
Recuperação de e-mails de LDAP:	Ativado
<b>Servidor de autenticação:</b>	Kerberos
<b>Xerox Secure Access:</b>	Desativado
<b>Registro de auditoria:</b>	Ativado
<b>IP Sec:</b>	Desativado
<b>Filtragem IP:</b>	Desativado

**Certificados de segurança**

Certificado da máquina:	Assinado
Certificados raiz instalados:	54
<b>802.1x:</b>	Desativado

**Remoção de dados do trabalho:**

Programado:	Desativado
-------------	------------

**FIPS 140-3:**

TLS:	Desativado
------	------------

Flash de TLS:	TLS 1.2 e TLS 1.3
---------------	-------------------

<b>Controle Incorporado Trellix:</b>	SHA-1, SHA-256 e acima
	Desativado

**Dados comuns de usuário**

Nome da máquina:	Xerox VersaLink C625 Color MFP (A7-A...
Endereço IP:	10.61.12.186
Número de série da máquina:	5322480247
Linha 1 do fax:	
URL da máquina:	https://10.61.12.186
Data de ativação da máquina:	Jan 01, 1970 05:30:00
Impressões em preto:	1280
Impressões em cor:	1077
Total de impressões:	2357

**Perfil da máquina**

Tag de Recurso Xerox	
Tag de Recurso do Cliente	
Núm. Telef. do Atend. Técnico:	
Número do atendimento ao cliente:	
Número de telefone de fornecimento:	
Administrador do sistema:	Nome do administrador do sistema não conf...
Local da máquina:	local da máquina não configurado

**Gerenciado por**

Servidor MB primária:

**Hardware da máquina**

Placa de Fax:	Não instalada
Tamanho da Memória de Fax:	0 MB
Placa de interface externa:	ausente
Tamanho da RAM do dispositivo:	3904 MB
Tamanho do armazenamento do disposit...	usado=3009MB/total=13925MB (eMMC)
Tamanho da Memória de EPC:	187 MB
Kit de produtividade:	Não instalada
Tipo de Mód. de Acab.:	Bandeja Coletora Simples
Perf. do Módulo de Acabamento	Nenhum
Pasta do Módulo de Acabamento:	ausente
Kit de detecção de alimentação múlti...	Não instalada

**Configuração geral**

Serviços remotos:	Ativado
Download de software remoto:	Ativado
Hora de transm. dos serviços remotos:	11:10
Xerox Workplace Cloud	Ativado
Alertas de e-mail:	Desativado
Plano de serviço:	Medido
Região Geográfica	desconhecido
Relatório de configuração de inicial...	Ativado
Deslocamento GMT:	+05:30
Instalação de clone	Permitido (Apenas arquivos criptogra...
Permitir Envio de Impressão de arquivos c...	Ativado
Compartilhamento de arquivo	Ativado
JBIG2	Sem perdas

**Economia de energia**

Repouso profundo:	Ativado
Modo de economia de energia:	Trabalho ativado
Temporizador do Modo Espera:	120 minutos
Desligamento automático:	Desativado

**Versões de software**

Software do dispositivo:	122.024.004.35400
Versão do patch:	Nenhum
Controladora de rede:	122.024.35400
Firmware do painel de IU:	6.2
Interface de usuário:	122.024.35400
Mecanismo de marcação:	230.315
Controladora de cópias:	122.024.35400
Alimentador de documentos:	230.315
Módulo de acabamento:	000.000.000
Fax:	000.000.000
SO:	230.315
Scanner:	230.315
Atualização de software:	005.007
Atualização de software ALTBOOT:	005.007
Bandeja 2:	A15.51_B2.3
Bandeja 3:	A15.51_B2.3
Bandeja 4:	A15.51_B2.3
Bandeja 5:	A15.51_B2.3
<b>Atualizações da máquina:</b>	
Última atualização bem-sucedida:	Permitido
Atualizações automáticas programadas:	Dezembro 24, 2024 11:39:56
Hora de início da atualização automá...	Desativado
Servidor de atualização automática:	Diária
	0.0.0.21

**Bandejas de material**

Bandeja 1:	Normal, Branco and A4 (210 x 297 mm)
Bandeja 2:	Normal, Branco and A4 (210 x 297 mm)
Bandeja 3:	Bond, Branco and A4 (210 x 297 mm)
Bandeja 4:	Reciclado, Branco and A4 (210 x 297 mm)
Bandeja 5:	Cartão brilhante de baixa gramatura , Bran...
Bandeja Manual:	Normal, Branco and A4 (210 x 297 mm)

**Conectividade****Fluxos de trabalho móveis**

Impressão AirPrint:	Ativado
Descoberta de impressão Mopria:	Ativado
Digitalização do AirPrint/Mopria	Ativado
Autenticação	Desativado
Impressão universal:	Desativado
Status de registro de impressão univ...	Não Registrada

**Conexões físicas****Configurações de USB**

Portas USB Tipo A	Tudo ativado
Porta USB Tipo B	Desativado
Tempo de espera de conexão	5 segundos
Com fio:	Ativado
Endereço MAC de Ethernet:	56:80:0e:a7:a8:9c
Velocidade Ethernet/Configuração de fren...	Auto
Sem fio:	Desativado

**Endereço MAC sem fio:**

Nome da rede (SSID):	
BSSID:	
Modo de segurança:	
Algoritmo de criptografia:	
Status:	

**Wi-Fi Direct:**

Hardware sem fio:	Ativado
Nome da Configuração Protegida de Wi-Fi ...	Não instalada
Método de conexão:	
Prefixo do endereço de sub-rede:	
Ponto de acesso (SSID):	
Mostrar senha na tela de seleção por toqu...	
NFC:	Ativado
iBeacon (Bluetooth®) para descoberta de ...	Ativado
Hardware de iBeacon:	Não instalada
Endereço do dispositivo Bluetooth:	
Endereço IP de iBeacon:	

**Protocolos****TCP/IPV4:**

Endereço IP:	Ativado
Máscara de sub-rede:	10.61.12.186
Roteador/Gateway:	255.255.255.0
Endereçamento Automático:	10.61.12.1
Servidor DHCP:	DHCP
Expiração do contrato de locação do ...	10.61.13.224
Transmissão BOOTP:	Fri Jan 10 16:35:33 2025
Estado do endereço auto-atribuído:	Desativado
Endereço auto-atribuído:	Ativado

**TCP/IPV6:**

Endereço do local do link:	Ativado
Usar prefixo do router fornecido:	fe80::5480:eff:fea7:a89c
Endereço global 1:	Ativado
Endereço global 2:	fd00:0:2:112:5480:eff:fea7:a89c
Endereço manual:	::
Endereçamento DHCP:	Use o DHCP como direcionado por um r...
Endereço DHCP:	
Gateway Padrão:	fe80::8afc:5dff:fe75:e282

**DUID (Identificador exclusivo do protocolo)****Configurações de DNS:**

Nome do host solicitado:	XRX56800EA7A89C
Nome do host verificado:	
Nome do domínio solicitado:	
Nome do domínio verificado:	
DNS de multidifusão:	Ativado
Liberar Locações de DHCP e Registros de...	Desativado
Servidor DNS Primário:	10.61.7.15
Servidor 1 DNS alternativo:	10.61.10.6
Servidor 2 DNS alternativo:	::
Tempo de espera de conexão DNS:	5
Anexar Domínio do dispositivo:	Ativado
Anexar Domínios pai:	Desativado
Lista de pesquisa de domínio de DNS:	XEROXQA.COM
Preferir IPv6 DNS em vez de IPv4:	Ativado

**Opções instaladas**

PS:	Instalado
-----	-----------

## Protocolos (cont.)

<b>Bonjour:</b>	
Nome da impressora Bonjour:	Xerox VersaLink C625 Color MFP (A7.A...
<b>HTTP:</b>	
Numero da porta:	80
Forçar tráfego sobre Conexão Segura (H...):	Sim
Numero de Porta do HTTP Seguro:	443
Servidor proxy:	Manual
Endereço do servidor proxy:	10.177.8.91:8080
IPP:	Ativado
Modo IPP Seguro:	IPP e IPPS Seguro
Caminho de rede IPP:	http://10.61.12.186:631
<b>SNMP</b>	
SNMP v1/v2:	Ativado
SNMP v3:	Desativado
<b>LPR/LPD:</b>	
Numero da porta:	515
Troca de PDL:	Desativado
Substituição do folha de identificaç...:	Desativado
<b>Impressão IP bruta:</b>	
Numero da porta 1:	Ativado
Bidirecional:	9100
Fim do tempo limite do trabalho:	Desativado
Troca de PDL:	300
<b>LDAP</b>	
Nome amigável do Servidor 1 de LDAP:	
Endereço LDAP primário do Servidor 1 de...:	0.0.0.0:389
Endereço LDAP alternativo do Servidor 1 ...:	0.0.0.0:389
Raiz do diretório de busca do Servidor 1 d...:	
Conexão segura do Servidor 1 de LDAP (...):	Desativado
Validar certificado de servidor (confiável...):	Desativado
<b>SMTP</b>	
Servidor SMTP:	10.61.10.8:25
Criptografia de Conexão (TLS):	Sem Criptografia
Validar Certificado de Servidor (TLS):	
Tamanho máximo da mensagem (KB):	10240
Numero de fragmentos:	1
Tamanho total do trabalho (KB):	300000
Limite de divisão de trabalhos:	Limite de página
Credenciais para e-mails automáticos:	Nenhum
Credenciais para usuários ocasionais:	Nenhum
<b>POP3</b>	
Servidor POP3:	0.0.0.0:110
POP3 Conexão segura (TLS):	Desativado
Endereço de e-mail:	
Recebimento de e-mail por POP3:	Desativado
Enviar confirmação na solicitação:	Ativado
Folha Rosto E-mails recebidos:	Ativado
<b>NTP:</b>	
Servidor primário:	Desativado
0.0.0.0:123	
Servidor alternativo:	0.0.0.0:123
<b>SLP:</b>	
Desativado	
<b>Cliente FTP:</b>	
Modo Cliente FTP:	Ativado
Passivo	
<b>Serviços da Web no dispositivo:</b>	
Descoberta WS:	Ativado
Multidifusão de descoberta WS:	Ativado
Impressão WS:	Ativado
Digitização WS:	Ativado
<b>Serviços da Web</b>	
Envio de cópia:	Ativado
Gerenciamento de certificado digital e Con...:	Ativado
Registro de atendimento técnico exte...:	Ativado
Limites de trabalho:	Ativado
Extensão de gerenciamento de trabalhos:	Ativado
Configuração do dispositivo:	Ativado
Envio de digitalização:	Ativado
Gerenciamento de fluxos de trabalho de dig...:	Ativado
Dados da sessão:	Ativado
Configuração da interface do usuário:	Ativado
Configuração de proxy EIP:	Ativado
Xerox Secure Access:	Desativado
Configuração de EIP SNMP:	Ativado
Envio de impressão:	Ativado
Ger. Modelo de Digitaliz.:	Ativado
Acesso do armazenamento de grande vo...:	Ativado
Acesso do leitor de cartão:	Ativado
Autenticação e configuração da contabili...:	Ativado
Exportar Registro de auditoria:	Ativado
Controle Incorporado Trellix:	Ativado

## Aplicativos

## Imprimindo

Folha de identificação:	Desativado
Trabalho inicial do sistema:	Desativado
Excluir trabalhos retidos após:	3 Day(s) 0 Hour(s) 0 Minute(s)
Falhos de erro:	Ativado
Substituição de papel:	Ativado
Prioridade de Bandeja:	1,2,3,4,5,6
Cópias padrão:	1
Tipo do trabalho padrão:	Impressão de amostra
Tamanho do Papel Padrão:	x=8.50 inches, y=11.00 inches
Cor do papel padrão:	Branco
Impressão em 2 faces padrão:	2 Faces
Bandeja de saída padrão:	Bandeja central
Cor de saída padrão:	Cor
Conjuntos alceados padrão:	Ativado
Grampeamento padrão:	Nenhum grampo
Deslocamento entre trabalhos:	Não deslocar entre trabalhos
Modo de marcação de arquivo:	Desligado
<b>PostScript</b>	
Nível:	3
Versão:	3021 101
Qualidade da imagem:	Aprimorado
<b>PCL</b>	
Versão:	6
Tamanho do espaçamento:	10.00
Tamanho do ponto:	12.00
Nome da fonte:	Courier
Linhas por página:	60
<b>Tabelas de cores personalizadas</b>	
Etiqueta:	Ativado
Não instalado	
Não instalado	
<b>Fax:</b>	
Linha 1 do fax:	
Linha 2 do fax:	
<b>Fax de servidor:</b>	
Folha de confirmação:	Ativado
Início programada:	Ligado
Protocolo do repositório:	Desativado
Servidor do repositório:	SFTP
Caminho de documentos do repositório:	10.61.23.93:22
<b>Digitalização de fluxos de trabalho:</b>	
Folha de confirmação:	Ativado
Protocolo do repositório padrão:	Ligado
Servidor do repositório padrão:	SMB
Caminho de documentos do repositório pad...:	10.61.23.93:445
Credenciais de login do Repositório ...:	/
Protocolo do repositório alternativo 1:	Dispositivo
Servidor do repositório alternativo 1:	SMB
Caminho de documentos do repositório alte...:	0.0.0.0
Credenciais de login do repositório alterna...:	
Protocolo do conjunto de fluxos de t...:	Dispositivo
Servidor do conjunto de fluxos de t...:	SMB
Caminho do conjunto de fluxos de tra...:	0.0.0.0
<b>E-mail:</b>	
Endereço De padrão:	Ativado
rothimeenas@xeroxqa.com	
Folha de confirmação:	Ligado
Auto-envio automático:	Desativado
Segurança de e-mail:	Desativado
<b>Digitalizar para caixa postal:</b>	
Exibir caixas postais por padrão:	Ativado
Capacidade de armazenamento (MB):	Ativado
672 MB	
Armazenamento usado (MB):	49 MB
Limpeza de pastas públicas:	Ativado
Limpeza de pastas criadas:	Ativado
Hora da limpeza:	Diária
<b>Digitalizar para Home:</b>	
Nome amigável:	
Nome do fluxo de trabalho:	
Criar subdiretório automaticamente:	Desativado
Anexar nome do usuário ao caminho:	Desativado
Criar automaticamente diretório de nomes ...:	Desativado
<b>Digitalizar para:</b>	
Serviços em nuvem	Ativado
<b>Imprimir de:</b>	
Trabalhos salvos para reimpressão:	Ativado
Imprimir de USB:	Ativado
Imprimir a partir de Caixa postal:	Desativado
Serviços em nuvem	Desativado

**Contabilidade**

Modo Contabilidade: Nenhum  
 Contabilidade de rede: Desativado

**Segurança****Configuração da Autenticação**

Autenticação da IU da máquina: Localmente no Dispositivo  
 Página inicial: Desbloqueado  
 Trabalhos: Desbloqueado  
 Dispositivo: Desbloqueado  
 Autenticação do site do dispositivo: Localmente no Dispositivo  
 Autorização: Localmente no Dispositivo  
 Recuperação de e-mails de LDAP: Ativado

**Servidor de autenticação:**

Kerberos  
 Área primária de Kerberos:  
 Endereço primário de Kerberos: 0.0.0.88  
 Área alternativa 1 de Kerberos:  
 Endereço alternativo 1 de Kerberos: 0.0.0.88  
 Domínio NT de SMB:  
 Domínio NT alternativo 1 de SMB:  
 Servidor da controladora do SmartCard: 0.0.0.443  
 Domínio da controladora do SmartCard:  
 URL OCSP do SmartCard:  
 Política de atualização do leitor de...: Ativado  
 Versão do firmware do leitor de cartão:

**Xerox Secure Access:**

Servidor do Secure Access: Desativado  
 0.0.0.443  
 Caminho do Secure Access:

**Registro de auditoria:**

Ativado  
 IP Sec: Desativado  
 Filtragem IP: Desativado

**Certificados de segurança**

Certificado da máquina: Assinado  
 Certificados raiz instalados: 54  
 802.1x: Desativado

**Remoção de dados do trabalho:**

Programado: Desativado  
 Frequência programada: Mensal

**FIPS 140-3:**

Desativado

**TLS:**

Hash de TLS: TLS 1.2 e TLS 1.3  
 SHA-1, SHA-256 e acima

**Controle Incorporado Trellix:**

Desativado

**Configuração de Serviço Extensível**

Navegador de Terceira Geração: X3G\_3.24.23\_2.40.5\_012\_01.00.00  
 Versão Widget: v1.3.17 c8 20140613  
 Versão Widget: v2.5.04 g9 20240123

# Resumo de faturamento

## Informações sobre o sistema

Nome da máquina:	Xerox VersaLink C625 Color MFP (A7:A...	<b>Versões de software</b>	
Número de série da máquina:	5322480247	Software do dispositivo:	122.024.004.35400
Ligar impressões:	156	Versão do patch:	Nenhum
		Controladora de rede:	122.024.35400
		Firmware do painel de IU:	6.2
		Mecanismo de marcação:	230.315
		Alimentador de originais:	230.315
		Módulo de acabamento:	000.000.000
		Fax:	000.000.000
		Scanner:	230.315

## Medidores de faturamento

### Fax

Imagens de fax embutido enviadas:	0
Impressões de fax embutido:	0

### Copiar

Impressões copiadas em preto:	338
Impressões copiadas em cores:	131

### Imprimir

Impressões impressas em preto:	858
Impressões impressas em cores:	923

### Digitalizar

Imagens digitalizadas em rede enviadas:	101
Imagens de e-mail enviadas:	5

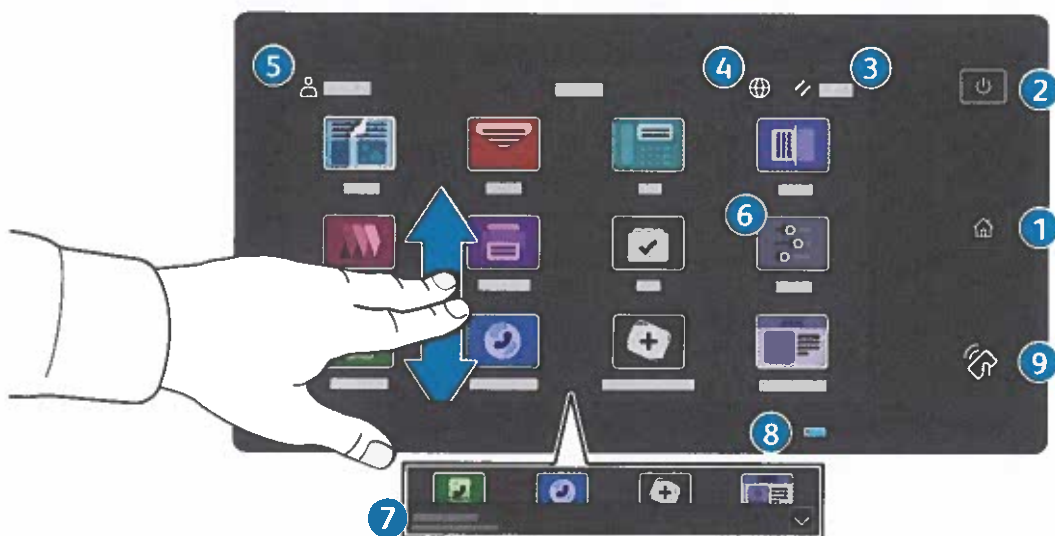
## Total dos dispositivos

Impressões em preto e branco:	1282
Impressões em cores:	1080
Total de impressões:	2362

Papel comum:	493
Bond:	7
Reciclado:	8
Timbrado:	7
Papel revestido brilhante:	6

## Painel de controle

Os aplicativos disponíveis podem variar de acordo a configuração da impressora. Para obter detalhes sobre os aplicativos e recursos, consulte o *Guia do Usuário*.



- 1 **Página inicial** retorna à tela principal do aplicativo.
- 2 **Energia/Despertar** inicia a impressora ou fornece opções para repousar, reiniciar ou desligar a impressora.
- 3 **Restaurar** restaura as configurações aos valores padrão em todos os aplicativos.
- 4 **Idioma** fornece opções de idiomas da tela.
- 5 **Login** fornece acesso especial às ferramentas e configurações.
- 6 **Aplicativo do dispositivo** fornece acesso às informações e configurações da impressora.
- 7 **Faixa de notificação** mostra o status da impressora e os avisos. Para ver todas as notificações, toque na faixa. Para fechar a faixa, toque na seta para baixo.
- 8 **LED de status** indica o status da impressora. Para obter informações detalhadas, consulte o *Guia do Usuário*.
- 9 **Área NFC** permite o emparelhamento com um dispositivo móvel para a impressão ou digitalização a partir de um aplicativo.

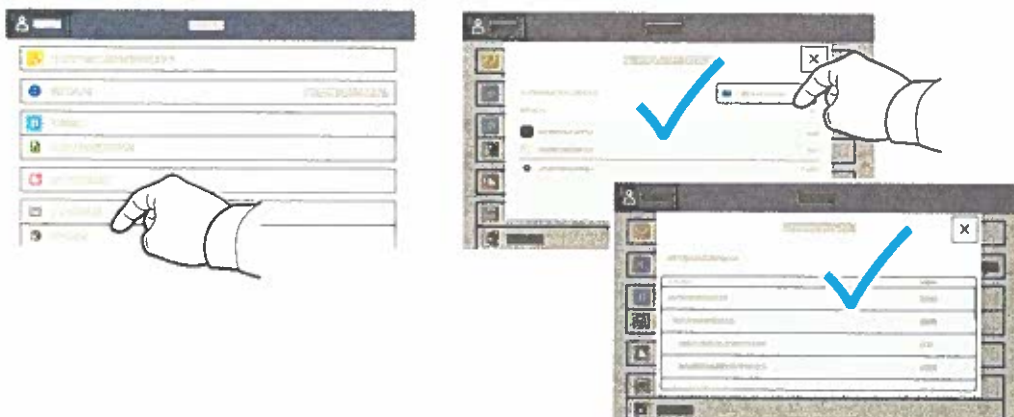
## Aplicativo do dispositivo

O aplicativo do dispositivo fornece acesso às informações e configurações da impressora. Alguns menus e configurações necessitam que se faça login com o nome e a senha do administrador.



## Informações de faturamento e uso

No menu Recursos do dispositivo, para exibir as contagens de impressões básicas, toque em **Faturamento/ Uso**. Para visualizar as contagens de uso detalhadas, selecione **Contadores de uso**. A lista fornece as categorias de contagens de impressões detalhadas.

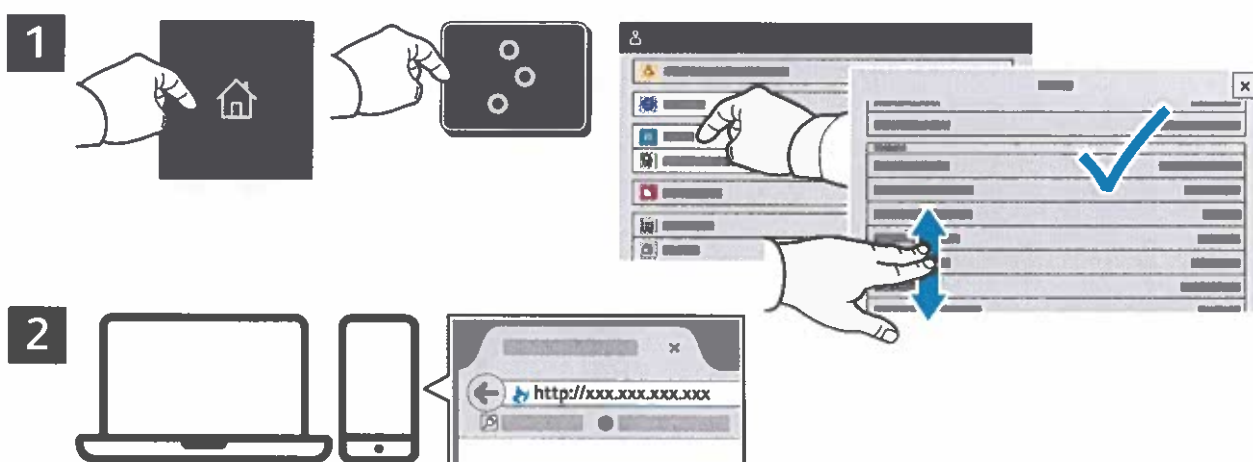


## Servidor da Web incorporado

O Servidor da Web incorporado Xerox® permite o acesso aos detalhes da configuração da impressora, status do papel e suprimentos, status do trabalho e funções de diagnóstico pela rede. Também é possível gerenciar o fax, e-mail e catálogos de endereço.

Para conectar-se, em um navegador de Web, digite o endereço IP da impressora. O endereço IPv4 da rede está disponível na tela de seleção por toque do painel de controle. Toque no app **Dispositivo** > **Sobre** e depois role para baixo.

Para obter detalhes sobre como utilizar o Servidor da Web incorporado, consulte o *Guia do usuário* localizado no site Xerox.com.



## App Gallery

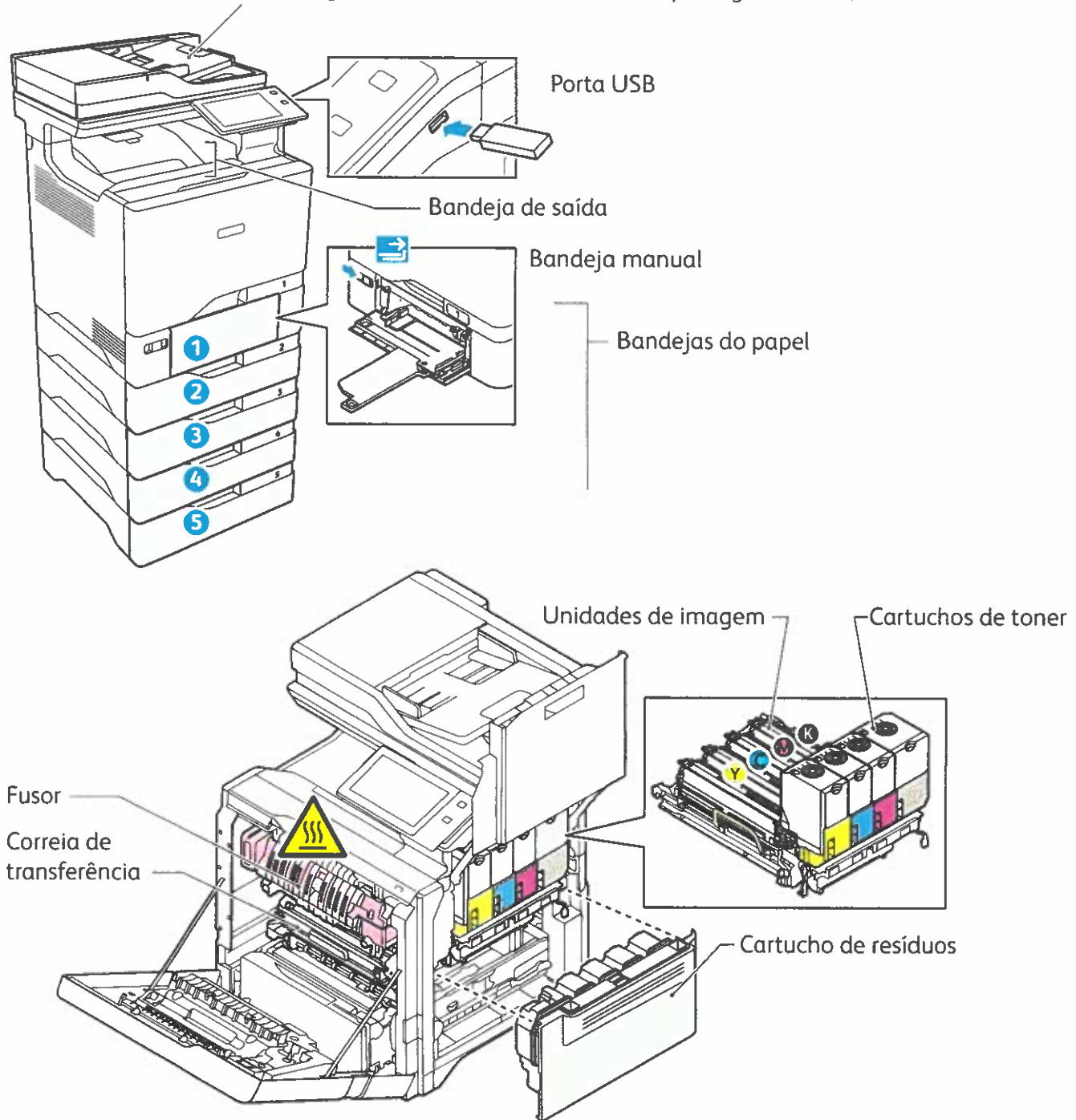
O Xerox App Gallery possui uma crescente coleção de aplicativos de produtividade que podem ser instalados na impressora. Localize o aplicativo em sua tela inicial e crie o login diretamente ou acesse [www.xerox.com/appgallery](http://www.xerox.com/appgallery) para login e adicione em seu dispositivo. Para simplificar a instalação do aplicativo, use o mesmo nome que você usou para login na impressora como suas credenciais de login na galeria do aplicativo.



## Roteiro da impressora

Os acessórios opcionais podem fazer parte da configuração da impressora. Para obter detalhes, consulte o *Guia do Usuário*.

Alimentador automático de originais em frente e verso de única passagem (DADF)



## Manuseio do papel

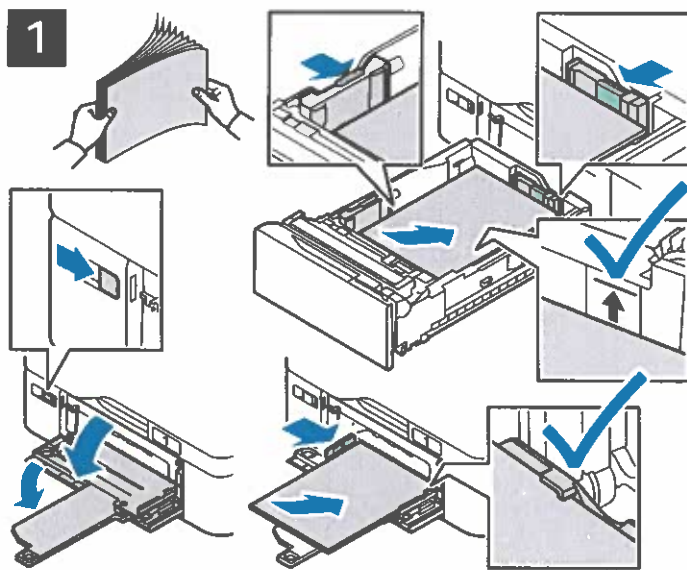
Para obter uma lista completa de papéis que funcionam com a impressora, consulte a Recommended Media List (Lista de materiais recomendados) em:

[www.xerox.com/rmlna](http://www.xerox.com/rmlna) (EUA e Canadá)

[www.xerox.com/rmleu](http://www.xerox.com/rmleu) (Europa)

Para obter detalhes sobre as bandejas e o papel, consulte o *Guia do Usuário*.

## Colocação do papel



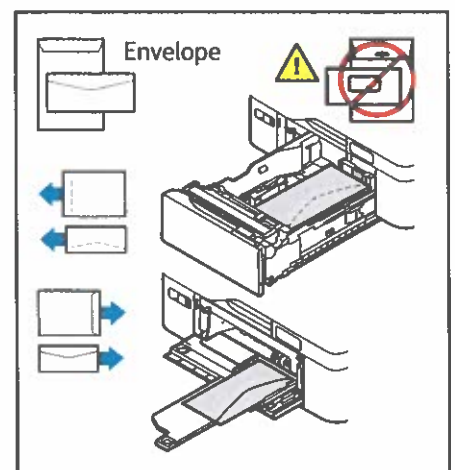
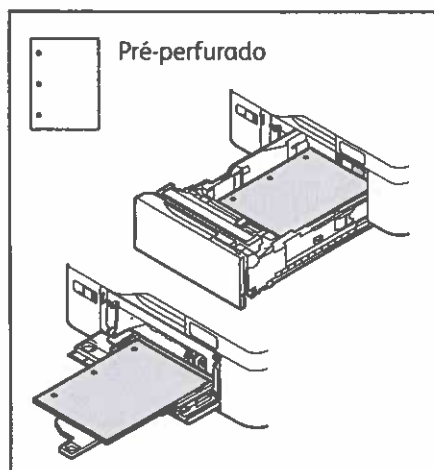
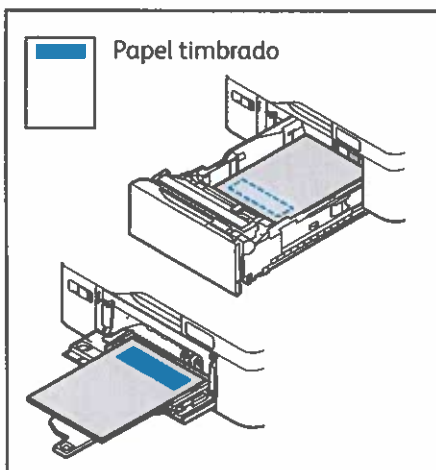
Confirme ou altere as configurações de tamanho e de tipo, se necessário.



Ao imprimir, selecione as opções no driver de impressão.

Para obter melhores resultados, ventile as bordas do papel. Regule as guias para que se ajustem ao tamanho do papel. Não coloque papel acima da linha de preenchimento máximo.

## Orientação do papel



# Cópia

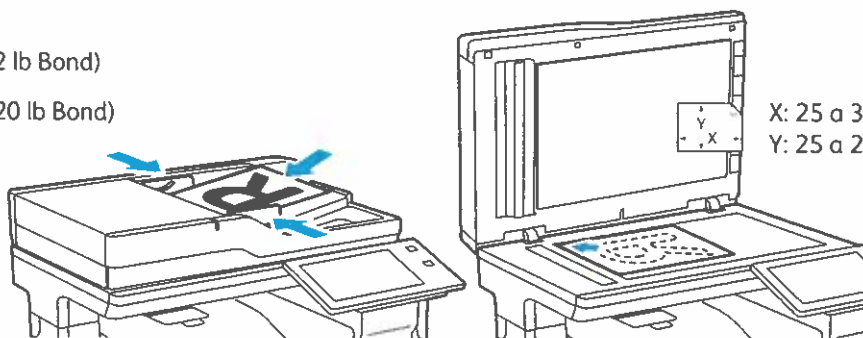
Para obter detalhes, consulte o *Guia do Usuário*.

1

X: 139 a 356 mm (5,47 a 14 pol.)  
Y: 105 a 216 mm (4,13 a 8,5 pol.)

52 a 120 g/m<sup>2</sup>  
(14 lb Texto a 32 lb Bond)

≤100 (75 g/m<sup>2</sup>, 20 lb Bond)



Coloque os originais.

2

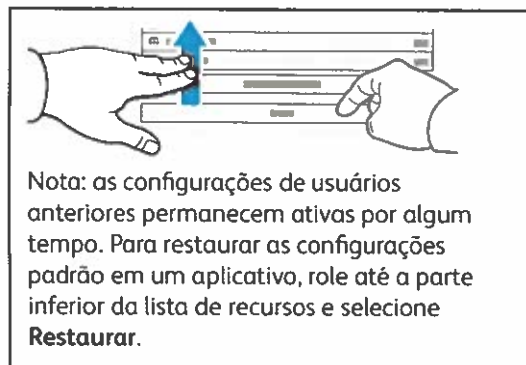


Selecione **Copiar** e depois o número de cópias.

3



Selecione as configurações de recursos na lista e depois toque em **Iniciar**.



Nota: as configurações de usuários anteriores permanecem ativas por algum tempo. Para restaurar as configurações padrão em um aplicativo, role até a parte inferior da lista de recursos e selecione **Restaurar**.

## Digitalização e envio de e-mail

Se a impressora estiver conectada a uma rede, é possível selecionar um destino para a imagem digitalizada no painel de controle da impressora.

Este guia define as técnicas para digitalizar documentos sem preparar configurações especiais:

- Digitalização de documentos para um endereço de e-mail.
- Digitalização de documentos para um Favorito salvo, lista de Catálogo de endereços ou uma unidade USB.
- Digitalização de documentos para a pasta Pública padrão no disco rígido da impressora e recuperação dos documentos usando um navegador da Web.

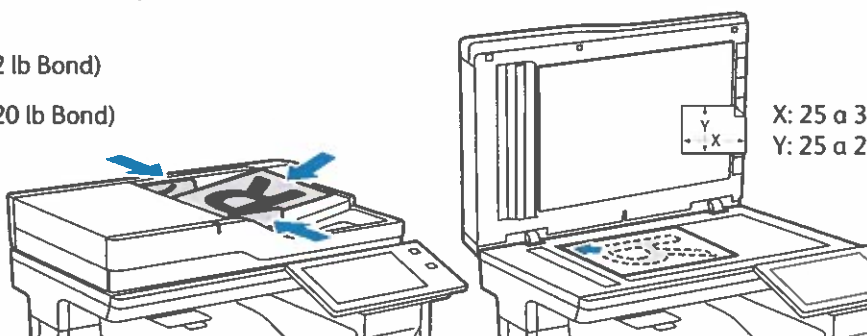
Para obter detalhes e saber mais sobre as configurações de digitalização, consulte o *Guia do Usuário*. Para obter detalhes sobre o catálogo de endereços e a configuração do modelo de fluxo de trabalho, consulte o *Guia do Administrador do Sistema*.

1

X: 139 a 356 mm (5,47 a 14 pol.)  
Y: 105 a 216 mm (4,13 a 8,5 pol.)

52 a 120 g/m<sup>2</sup>  
(14 lb Texto a 32 lb Bond)

≤100 (75 g/m<sup>2</sup>, 20 lb Bond)



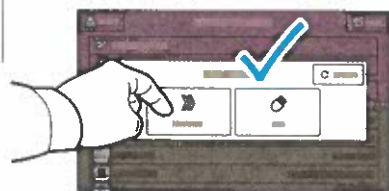
Coloque os originais.

2



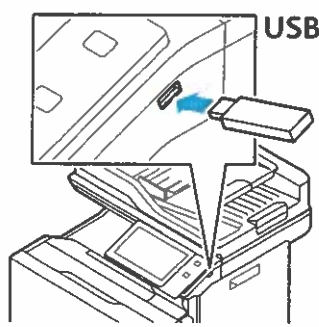
Pressione **Página inicial** e depois, para enviar a digitalização por e-mail, toque em **E-mail**. Para digitalizar para a Pasta pública padrão ou para uma unidade USB, toque em **Digitalização de fluxos de trabalho**. Se o seu destino de digitalização for armazenado no catálogo de endereços ou salvo como um Favorito, toque em **Digitalizar para**.

3



Para E-mail, selecione **Entrada manual**, digite o endereço do e-mail usando o teclado da tela de seleção por toque e toque em **Adicionar**. Para adicionar mais de um endereço de e-mail à lista, selecione **Adicionar destinatário**. Para digitar uma linha de assunto para o e-mail, selecione **Assunto**. Para selecionar endereços de e-mail salvos, use o Catálogo de endereços do dispositivo ou selecione de Favoritos.

Para Digitalização de fluxos de trabalho, toque em **Pasta pública padrão** ou insira a unidade USB.

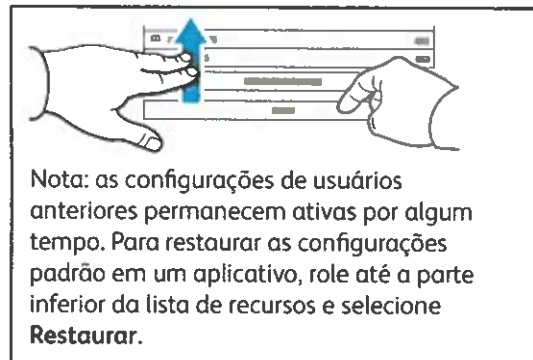


Para Digitalizar Para, toque em um tipo de destino e insira as informações necessárias. Para adicionar mais de um destino à lista, toque em **Adicionar destino**.

4



Mude as configurações, quando necessário, e depois selecione **Digitalizar**, ou para E-mail, toque em **Enviar**.

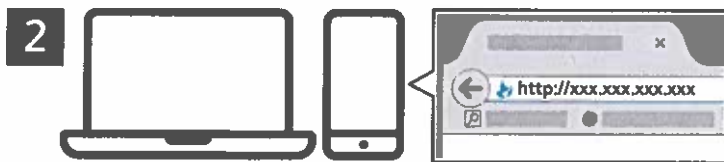


# Recuperação de arquivos digitalizados

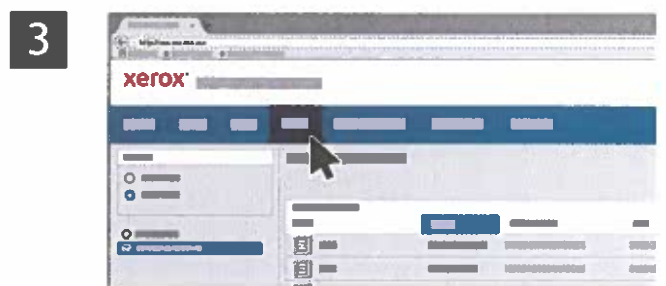
Para fazer download de suas imagens digitalizadas da Pasta pública padrão na impressora, use o Servidor da Web incorporado. É possível configurar as pastas pessoais e os modelos de digitalização de fluxos de trabalho no Servidor da Web incorporado. Para obter detalhes, consulte o *Guia do Usuário*.



Verifique o endereço IP da impressora na tela de seleção por toque. Se o endereço IP não aparecer na parte superior da tela de seleção por toque, pressione Página inicial, toque em **Dispositivo** > **Sobre** e role para verificar o endereço IP.



No navegador de Web, digite o endereço IP da impressora e, em seguida, pressione **Entrar** ou **Retornar**.



Clique na guia **Digitalizar**.

4



Selecione a **Pasta pública padrão** e localize sua digitalização na lista. Para fazer download da digitalização, clique em **Ir**.

This block contains a close-up of the Xerox web interface. On the left, there is a button labeled 'Atualizar exibição'. On the right, there are three buttons: 'Download', 'Reimprimir', and 'Excluir'. Arrows point from these buttons to the explanatory text below.

Para atualizar a lista, clique em **Atualizar exibição**.

Para salvar o arquivo no computador, selecione **Download**.

Para imprimir o arquivo salvo novamente, selecione **Reimprimir**.

Para remover permanentemente o trabalho armazenado, selecione **Excluir**.

Para abrir um diretório, selecione **Abrir**.

## Fax

É possível enviar um fax de uma das seguintes maneiras:

- **Fax** digitaliza o documento e depois o envia diretamente para uma máquina de fax.
- **Fax do servidor** digitaliza o documento e depois o envia para um servidor de fax, que transmite o documento para uma máquina de fax.
- **Fax da Internet** digitaliza o documento e depois o envia por e-mail a um destinatário.
- **LAN Fax** envia o trabalho atual de impressão como um fax.

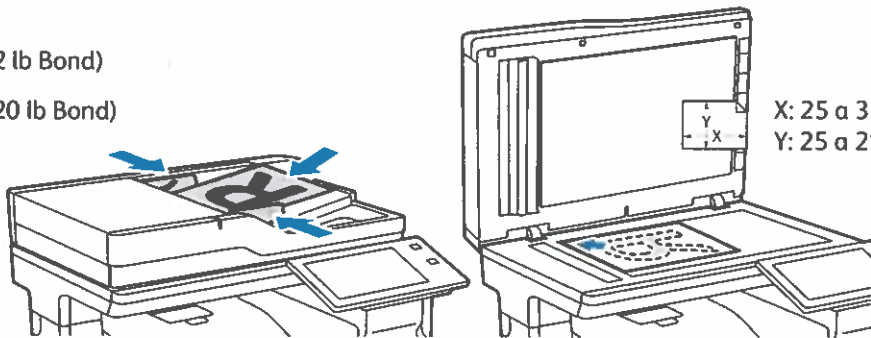
Para obter detalhes, consulte o *Guia do Usuário*. Para obter detalhes sobre LAN Fax, consulte o software do driver de impressão. Para obter detalhes sobre a configuração do fax e as configurações avançadas, consulte o *Guia do Administrador do Sistema*.

1

 X: 139 a 356 mm (5,47 a 14 pol.)  
Y: 105 a 216 mm (4,13 a 8,5 pol.)

 52 a 120 g/m<sup>2</sup>  
(14 lb Texto a 32 lb Bond)

 ≤100 (75 g/m<sup>2</sup>, 20 lb Bond)



X: 25 a 355,6 mm (,98 a 14 pol.)  
Y: 25 a 215,9 mm (,98 a 8,5 pol.)

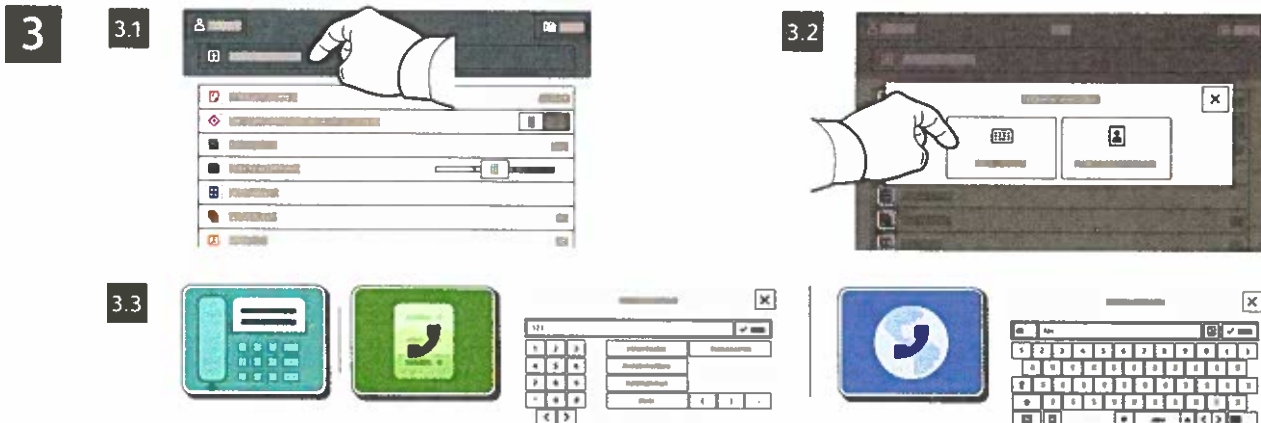
Coloque os originais.

2



Para enviar o fax a uma máquina de fax, pressione **Página inicial** e depois selecione **Fax** ou **Fax do servidor**.

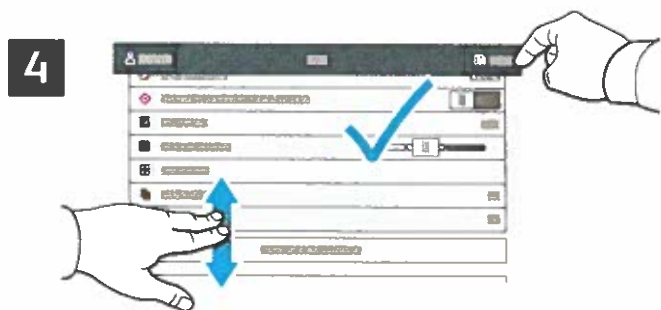
Para enviar o fax como um anexo de e-mail, selecione **Página inicial** e depois **Fax da Internet**.



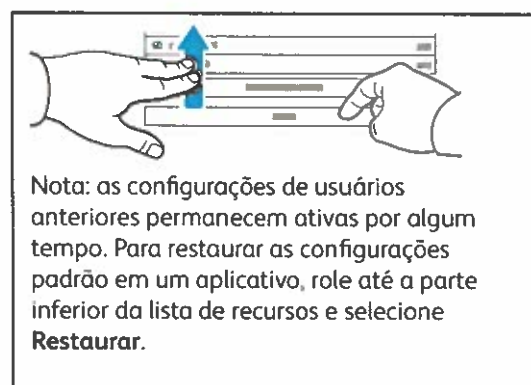
Para números de fax, selecione **Entrada manual** e depois insira o número de fax utilizando as teclas alfanuméricas e os caracteres especiais da tela de toque. Toque em **Adicionar**. Para adicionar mais números de fax à lista, selecione **Adicionar destinatário**.

Para endereços de e-mail de Fax da Internet, toque em **Entrada manual** e depois insira o endereço de e-mail utilizando o teclado da tela de toque. Toque em **Adicionar**. Para adicionar mais endereços de e-mail à lista, selecione **Adicionar destinatário**.

Para selecionar números salvos, utilize o Catálogo de endereços do dispositivo ou os Favoritos. Para selecionar locais de fax armazenados, utilize a Caixa postal ou Busca.

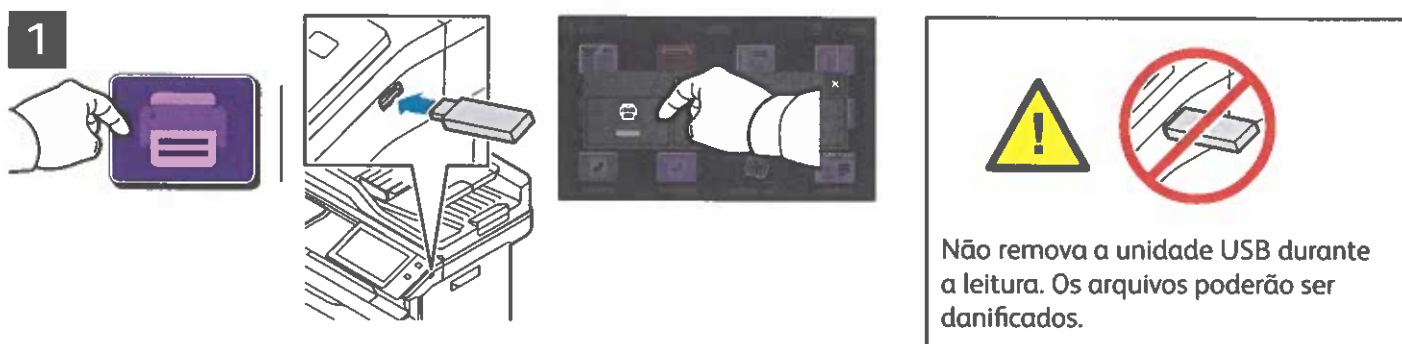


Mude as configurações, conforme necessário, e depois selecione **Salvar**.

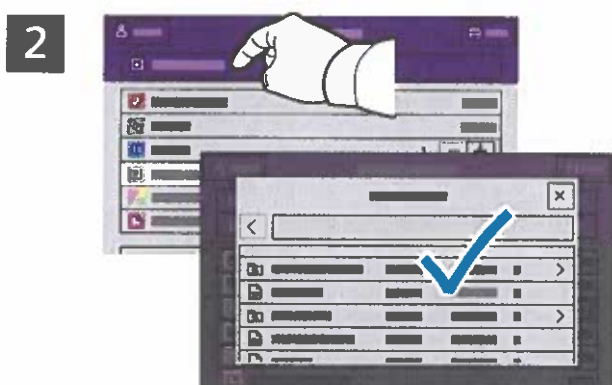


## Impressão de uma unidade USB

É possível imprimir arquivos .pdf, .tiff, .ps, .xps e outros tipos diretamente a partir de uma unidade USB. Para obter mais informações, consulte o *Guia do Usuário*.



Selecione **Imprimir de** ou insira a unidade USB e depois escolha **Imprimir de USB**.



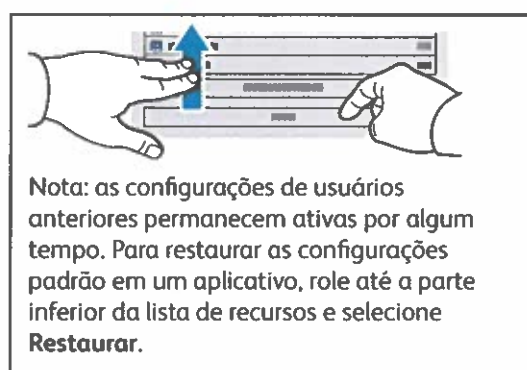
Selecione **Adicionar documento**, navegue até os arquivos e selecione-os.



Para selecionar o número de cópias, toque no sinal de mais (+) ou sinal de menos (-). Para quantidades maiores, selecione **Quantidade** e insira um número.



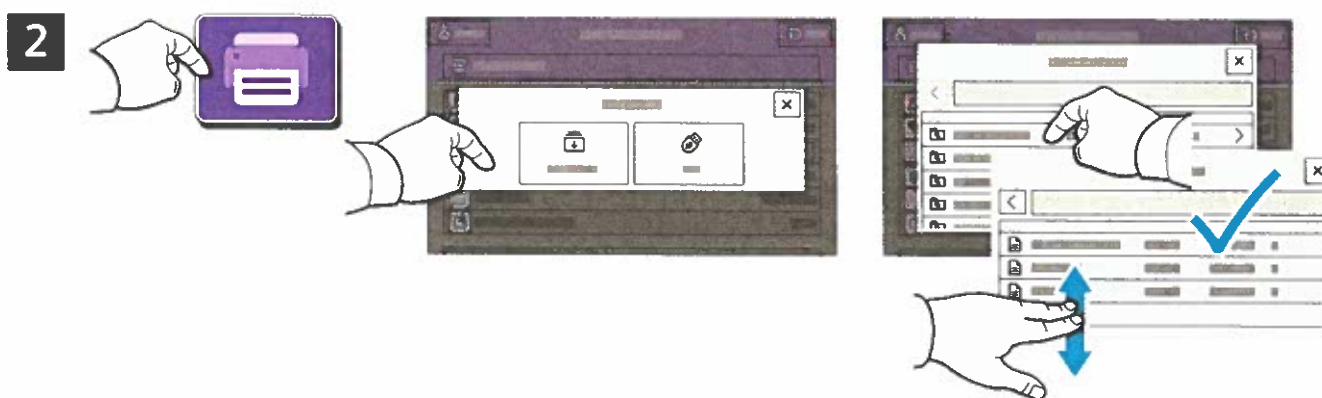
Selecione as configurações, conforme necessário, e depois toque em **Salvar**.



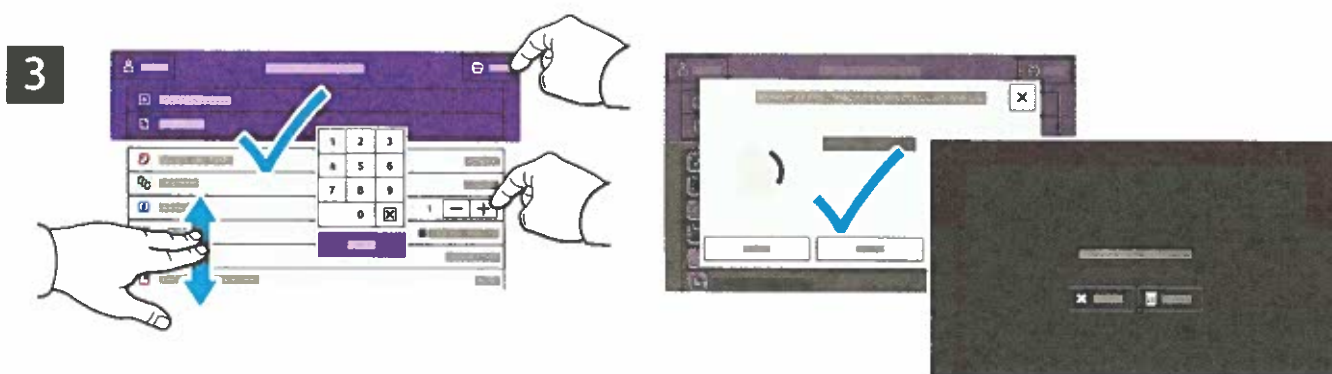
## Impressão de trabalhos armazenados na impressora



É possível enviar um trabalho de impressão para salvar na impressora e depois selecioná-lo no painel de controle para impressão. Os trabalhos podem ser salvos na pasta pública ou ser protegidos por senha. No driver de impressora Xerox®, selecione **Propriedades** (Windows) ou **Funções Xerox** (Mac OS) e depois **Tipo de trabalho**. Selecione **Trabalho salvo** ou **Impressão protegida**. Para Impressão protegida, digite uma senha. Clique em **OK** e imprima o trabalho.



Selecione **Imprimir de** e depois toque em **Trabalhos salvos**. Selecione a **Pasta pública padrão** e depois selecione o trabalho de impressão.



Selecione as configurações da lista. Para selecionar o número de cópias, toque no sinal de mais (+) ou sinal de menos (-). Para quantidades maiores, selecione **Quantidade** e insira um número. Toque em **Imprimir**. Para excluir o trabalho, na tela de impressão e confirmação, selecione **Excluir**.

## Solução de problemas de qualidade de impressão

A Impressora multifuncional colorida Xerox® VersaLink® C625 foi concebida para produzir, de forma consistente, impressões coloridas de alta qualidade. Se forem observados problemas de qualidade de impressão, siga as informações destas páginas para solucioná-los. Para obter informações detalhadas do suporte on-line, acesse [www.xerox.com/office/support](http://www.xerox.com/office/support).

**CUIDADO:** a garantia Xerox®, o Contrato de Manutenção ou a Total Satisfaction Guarantee (Garantia de satisfação total) não cobrem danos causados pela utilização de papel, transparências ou outro material especial incompatível. A Total Satisfaction Guarantee (Garantia de satisfação total) está disponível nos Estados Unidos e Canadá. A cobertura pode variar fora destas áreas. Para obter detalhes, entre em contato com o seu representante local.

### Tipo de papel

**CUIDADO:** ao trocar o tipo do papel na bandeja, altere o tipo do papel no painel de controle para corresponder ao papel na bandeja. Se isso não for feito, podem ocorrer problemas de qualidade de impressão e danos ao fusor.

Para obter os melhores resultados, utilize somente o papel e material recomendado da Xerox®. O papel e o material Xerox® têm a garantia de produzir resultados excelentes em sua Impressora multifuncional colorida Xerox® VersaLink® C625. Para pedir o papel e o material Xerox®, acesse

[www.xerox.com/office/supplies](http://www.xerox.com/office/supplies).


Para obter a lista completa de papéis recomendados para a impressora, vá para:

- América do Norte: [www.xerox.com/rmlna](http://www.xerox.com/rmlna)
- Europa: [www.xerox.com/rmleu](http://www.xerox.com/rmleu)




### Solução de problemas de qualidade de impressão

Consulte as tabelas a seguir para encontrar soluções específicas para os problemas de qualidade de impressão.

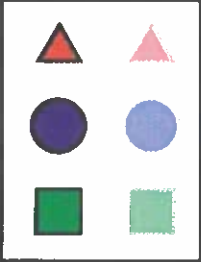
## Solução de problemas de qualidade de impressão

Problema	Solução
<p><b>Fusão incompleta</b> Parece haver falta de toner na impressão ou o toner sai com facilidade.</p> 	<ol style="list-style-type: none"><li>1. Verifique se o papel em uso é o tipo correto para a impressora e se está colocado de forma adequada. Para obter a lista completa de papéis recomendados para a impressora, vá para:<ul style="list-style-type: none"><li>- América do Norte: <a href="http://www.xerox.com/rmlna">www.xerox.com/rmlna</a></li><li>- Europa: <a href="http://www.xerox.com/rmleu">www.xerox.com/rmleu</a></li></ul></li><li>2. Verifique se o tipo de papel está selecionado no painel de controle e no driver de impressão.</li><li>3. Para bandejas que são configuradas como Dedicadas: <b>Nota:</b> para alterar o tamanho, o tipo e a cor do papel em uma bandeja dedicada quando o painel de controle estiver bloqueado, faça login como o administrador do sistema.<ol style="list-style-type: none"><li>a. Para bandejas que são configuradas como Dedicadas:<ul style="list-style-type: none"><li>• No painel de controle, toque em <b>Login</b>. Insira as informações de login e toque em <b>Entrar</b>. Para obter detalhes, consulte o <i>Guia do Administrador do Sistema</i>.</li><li>• Toque em <b>Dispositivo</b> &gt; <b>Ferramentas</b> &gt; <b>Configurações do dispositivo</b> &gt; <b>Gerenciamento de papel</b> &gt; <b>Configurações da bandeja</b>. Selecione a bandeja, toque em <b>Editar</b> e depois altere o tipo de papel.</li></ul></li><li>b. Para bandejas que são configuradas como Totalmente ajustáveis:<ul style="list-style-type: none"><li>• Bandejas do papel: Abra e depois feche a bandeja selecionada.</li><li>• Bandeja manual: Remova e depois reinsira o papel.</li></ul></li></ol>O painel de controle solicita a confirmação ou alteração do tipo do papel.<ul style="list-style-type: none"><li>• Na tela de seleção por toque, selecione <b>Tipo</b> e depois prossiga em uma das seguintes maneiras:<ul style="list-style-type: none"><li>• Selecione o tipo de papel correto e toque em <b>Confirmar</b>.</li><li>• Selecione o próximo tipo de papel de gramatura mais alta e toque em <b>Confirmar</b>.</li></ul></li></ul><b>Nota:</b> os tipos de papel de mais baixa gramatura até mais alta gramatura são:<ul style="list-style-type: none"><li>• Para papel sem revestimento: Comum, Cartão de baixa gramatura e Cartão.</li><li>• Para papel revestido: Cartão brilhante de baixa gramatura e Cartão brilhante.</li></ul></li></ol>

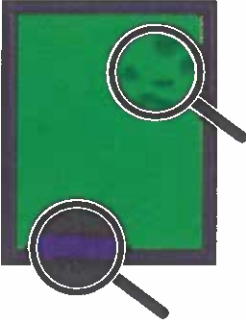

## Solução de problemas de qualidade de impressão (continuação)

Problema	Solução
<p><b>Defeitos repetitivos</b></p> <p>Pontos ou linhas aparecem em intervalos regulares na página, na direção em que o papel se move na impressora, em todas as cores ou em áreas não impressas.</p>  <p>Pontos ou linhas aparecem em intervalos regulares na página, na direção em que o papel se move na impressora e em apenas uma cor.</p> 	<ol style="list-style-type: none"><li>1. No painel de controle, pressione <b>Dispositivo &gt; Ferramentas &gt; Solução de problemas &gt; Páginas de suporte &gt; Página de problemas recorrentes &gt; Imprimir</b>. A Página de defeitos recorrentes é impressa com instruções para a identificação das unidades com defeito.</li><li>2. Para corrigir o problema, substitua os itens identificados na Página de problemas recorrentes. </li><li>3. Se você substituir um suprimento, restaure o contador:<ol style="list-style-type: none"><li>a. No painel de controle, toque em <b>Login</b>. Insira as informações de login e toque em <b>Entrar</b>. Para obter detalhes, consulte o <i>Guia do Administrador do Sistema</i>.</li><li>b. Toque em <b>Dispositivo &gt; Ferramentas &gt; Configurações do dispositivo</b>.</li><li>c. Avance e depois selecione <b>Suprimentos &gt; Contadores de consumíveis restaurados</b>.</li><li>d. Toque no <b>Suprimento</b> substituído.</li><li>e. Selecione <b>Restaurar contador</b>.</li><li>f. Para fechar a janela pop-up, selecione <b>X</b>, toque em <b>admin</b> e depois <b>Logout</b>.</li></ol></li></ol>

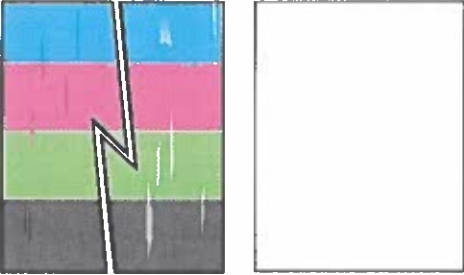
## Solução de problemas de qualidade de impressão (continuação)

Problema	Solução
<p><b>Deslocamento de imagem</b></p> <p>O deslocamento mais comum é quando o toner parece ser reimpresso na página e posicionado a aproximadamente 95 mm (3,75 pol.) da página na direção em que o papel se move na impressora.</p> <p><b>Nota:</b> para uma distância diferente, use a Página de problemas recorrentes para identificar a causa.</p> 	<ol style="list-style-type: none"><li>1. Verifique se o papel em uso é o tipo de papel correto para a impressora e se está colocado de forma adequada.  Para obter a lista completa de papéis recomendados para a impressora, vá para:<ul style="list-style-type: none"><li>– América do Norte: <a href="http://www.xerox.com/rmlna">www.xerox.com/rmlna</a></li><li>– Europa: <a href="http://www.xerox.com/rmleu">www.xerox.com/rmleu</a></li></ul></li><li>2. Verifique se o tipo de papel está selecionado no painel de controle e no driver de impressão.  <b>Nota:</b> para alterar o tamanho, o tipo e a cor do papel em uma bandeja dedicada quando o painel de controle estiver bloqueado, faça login como o administrador do sistema.</li><li>3. Para bandejas que são configuradas como Dedicadas:  <b>Nota:</b> para alterar o tamanho, o tipo e a cor do papel em uma bandeja dedicada quando o painel de controle estiver bloqueado, faça login como o administrador do sistema.<ol style="list-style-type: none"><li>a. Para bandejas que são configuradas como Dedicadas:<ul style="list-style-type: none"><li>• No painel de controle, toque em <b>Login</b>. Insira as informações de login e toque em <b>Entrar</b>. Para obter detalhes, consulte o <i>Guia do Administrador do Sistema</i>.</li><li>• Toque em <b>Dispositivo</b> &gt; <b>Ferramentas</b> &gt; <b>Configurações do dispositivo</b> &gt; <b>Gerenciamento de papel</b> &gt; <b>Configurações da bandeja</b>. Selecione a bandeja, toque em <b>Editar</b> e depois altere o tipo de papel.</li></ul></li><li>b. Para bandejas que são configuradas como Totalmente ajustáveis:<ul style="list-style-type: none"><li>• Bandejas do papel: Abra e depois feche a bandeja selecionada.</li><li>• Bandeja manual: Remova e depois reinsira o papel.</li></ul></li></ol>O painel de controle solicita a confirmação ou alteração do tipo do papel.<ul style="list-style-type: none"><li>• Na tela de seleção por toque, selecione <b>Tipo</b> e depois prossiga em uma das seguintes maneiras:<ul style="list-style-type: none"><li>• Selecione o tipo de papel correto e toque em <b>Confirmar</b>.</li><li>• Selecione o próximo tipo de papel de gramatura mais alta e toque em <b>Confirmar</b>.</li></ul></li></ul><b>Nota:</b> os tipos de papel de mais baixa gramatura até mais alta gramatura são:<ul style="list-style-type: none"><li>• Para papel sem revestimento: Comum, Cartão de baixa gramatura e Cartão.</li><li>• Para papel revestido: Cartão brilhante de baixa gramatura e Cartão brilhante.</li></ul></li><li>4. Para identificar a causa: use a Página de problemas recorrentes. Para obter mais detalhes, consulte a página anterior.</li></ol>

## Solução de problemas de qualidade de impressão (continuação)

Problema	Solução
<p><b>Cobertura de gramatura alta aparece matizada ou manchada</b> <b>O preto aparece azul</b></p> 	<ol style="list-style-type: none"><li>1. Verifique se o papel em uso é o tipo correto para a impressora e se está colocado de forma adequada. Para obter a lista completa de papéis recomendados para a impressora, vá para:<ul style="list-style-type: none"><li>– América do Norte: <a href="http://www.xerox.com/rmlna">www.xerox.com/rmlna</a></li><li>– Europa: <a href="http://www.xerox.com/rmleu">www.xerox.com/rmleu</a></li></ul></li><li>2. Verifique se o tipo de papel está selecionado no painel de controle e no driver de impressão.</li></ol> <p><b>Nota:</b> : se o problema continuar, chame o atendimento técnico.</p>
<p><b>Alinhamento de cores incorreto</b> A cor foi deslocada para fora da área designada ou está superimposta sobre a outra cor.</p> 	<p>Abra e depois feche a porta dianteira. A impressora executa uma calibração automática de registro com a próxima impressão.</p> <p><b>Nota:</b> : se o problema continuar, chame o atendimento técnico.</p>
<p><b>Todas as cores são muito claras ou muito escuras</b> As cores aparecem desbotadas ou muito escuras na impressão ou cópia.</p>	<ol style="list-style-type: none"><li>1. Verifique se o papel em uso é o tipo correto para a impressora e se está colocado de forma adequada. Para obter a lista completa de papéis recomendados para a impressora, vá para:<ul style="list-style-type: none"><li>– América do Norte: <a href="http://www.xerox.com/rmlna">www.xerox.com/rmlna</a></li><li>– Europa: <a href="http://www.xerox.com/rmleu">www.xerox.com/rmleu</a></li></ul></li><li>2. Verifique se o tipo de papel está selecionado no painel de controle e no driver de impressão.</li></ol> <p><b>Nota:</b> : se o problema continuar, consulte o <i>Guia do Usuário</i> ou chame o atendimento técnico.</p>

## Solução de problemas de qualidade de impressão (continuação)

Problema	Solução
<p><b>Linhas, manchas ou faixas</b> Marcas escuras ou claras aparecem na página em todas as cores e/ou em áreas sem impressão.</p> 	<ol style="list-style-type: none"> <li>1. Verifique se o papel em uso é o tipo correto para a impressora e se está colocado de forma adequada. Para obter a lista completa de papéis recomendados para a impressora, vá para: <ul style="list-style-type: none"> <li>– América do Norte: <a href="http://www.xerox.com/rmlna">www.xerox.com/rmlna</a></li> <li>– Europa: <a href="http://www.xerox.com/rmleu">www.xerox.com/rmleu</a></li> </ul> </li> <li>2. Verifique se o tipo de papel está selecionado no painel de controle e no driver de impressão.</li> <li>3. Para identificar a causa, consulte a Página de defeitos repetitivos que é impressa com a Página de solução de problemas de qualidade de impressão. No painel de controle, toque em <b>Dispositivo &gt; Ferramentas &gt; Solução de problemas &gt; Páginas de suporte &gt; Página de defeitos repetitivos &gt; Imprimir</b>.</li> <li>4. Para corrigir o problema, substitua os itens identificados na Página de defeitos repetitivos.</li> </ol>
<p><b>As cores variam entre os computadores</b> As cores impressas de um computador não correspondem às cores impressas de um outro computador.</p>	<ol style="list-style-type: none"> <li>1. Confirme se as configurações do driver de impressão para Qualidade de impressão, Correção de cores e Cores por texto são idênticas em ambos os computadores.</li> <li>2. Ajuste as configurações, conforme necessário. <b>Nota:</b> as configurações do driver de impressão substituem as configurações feitas no painel de controle da impressora.</li> </ol>
<p><b>As cores não correspondem</b> A cor produzida pela impressora é diferente da cor a que ela deve corresponder.</p>	<p>Para obter mais informações sobre a correspondência de cores, vá para o Assistente de suporte on-line em <a href="http://www.xerox.com/office/support">www.xerox.com/office/support</a>.</p>
<p><b>As cores impressas não correspondem às cores do monitor</b> A cor produzida pela impressora é diferente da cor que aparece no monitor do computador.</p>	<p>Para exibir informações sobre correspondência de cores entre o monitor e o documento impresso, vá para o Assistente de suporte on-line em <a href="http://www.xerox.com/office/support">www.xerox.com/office/support</a>.</p>

## Configurações de qualidade de impressão

O modo Qualidade de impressão e as opções de Correções de cores controlam diretamente a qualidade das impressões. É possível alterar estas configurações no driver de impressão. Selecione a configuração que melhor se adapta ao trabalho de impressão.

### Modo de qualidade de impressão

- **Avançado** é um modo de finalidade geral para impressões em cores vivas e brilhantes. O modo Avançado equilibra a velocidade com a qualidade.
- **Alta resolução** é um modo de alta qualidade que cria linhas finas e detalhes. O modo de Alta resolução é recomendado para impressões coloridas vibrantes e saturadas. O modo de Alta resolução equilibra a qualidade sobre a velocidade.
- **Economia de toner** é um modo que reduz a quantidade de toner utilizada para trabalhos de impressão e é útil para o resultado da qualidade do rascunho. A qualidade da impressão é ligeiramente inferior ao modo Padrão.

### Correções de cores

Correções de cores estão disponíveis na guia Opções de imagem no driver de impressão. A janela Visualização aparece no lado direito da guia Opções de imagem. Quando a caixa de seleção Visualização for selecionada, a correção de cores aparecerá na janela Visualização. Selecionar e desmarcar a caixa de seleção Visualização permite a comparação da imagem corrigida com a incorreta.

Para ajustar as características da cor do trabalho de impressão, selecione a guia Correção de cores e depois as opções, conforme necessário.

- **Conversão preto e branco da Xerox** converte as cores para tons de cinza, produzindo um trabalho de impressão em preto e branco. Essa configuração é útil para criar documentos mestres em preto e branco para fotocópia ou fax.
- **Correção de cores** oferece opções para fazer a correspondência das cores da impressora o mais próximo possível com as cores em outros dispositivos, como a tela do computador ou uma impressora de produção.
  - **Automático** aplica a melhor correção de cor a cada elemento gráfico do documento: texto, gráficos e fotografias.
  - **Simular monitor LCD** aproxima a cor do trabalho de impressão às cores do monitor LCD de um computador.
  - **Monitor sRGB** aproxima a cor do trabalho de impressão a um monitor RGB (vermelho, verde, azul).
  - **Nenhuma** remove todas as correções de cores. Essa opção é a melhor escolha ao se trabalhar com a cor especificada no aplicativo ou sistema operacional.
- **Cor automática Xerox** aplica a melhor correção de cores para cada elemento gráfico do documento, incluindo texto, gráficos e fotografias.
- **Cor automática personalizada** fornece mais opções para personalizar as cores no trabalho de impressão. Use uma seleção para ajustar a cor do texto e gráficos. Use a outra seleção para ajustar a correção de cores aplicada às Imagens. É possível aplicar uma ampla seleção de opções de cores a cada elemento para simular resultados de dispositivos coloridos diferentes.

Para ajustar as cores usando frases descritivas, selecione a guia **Cores por textos**. Nos menus, selecione as frases para criar uma oração que descreva o ajuste de cor desejado. É possível criar mais de uma frase a ser aplicada ao trabalho de impressão, afetando uma cor ou uma variedade inteira de cores.

Para alterar as configurações para cada parâmetro de cor individual, selecione a guia **Ajustes de cores** e depois ajuste os controles deslizantes. Os controles deslizantes permitem a seleção de uma variedade contínua de ajustes para cada um dos seguintes parâmetros:

- Claridade
- Contraste
- Saturação
- Ciano para Vermelho
- Magenta para Verde
- Amarelo para Azul

Para obter mais informações sobre a correspondência de cores e perfis ICC, vá para [www.xerox.com/office/support](http://www.xerox.com/office/support).

# Uso de suprimentos

## Consumíveis

### Cartuchos de toner



**Preto**

Data de instalação: Feb 6, 2024  
 Solicitar novamente: 00  
 Páginas restantes estimadas: 14500  
 (Com base na cobertura média deste cartucho de toner: 3%)

Vida útil restante: 100%  
 50%  
 0%

**Ciano**

Data de instalação: Jan 8, 2024  
 Solicitar novamente: 00  
 Páginas restantes estimadas: 16000  
 (Com base na cobertura média deste cartucho de toner: 1%)

Vida útil restante: 100%  
 50%  
 0%

**Magenta**

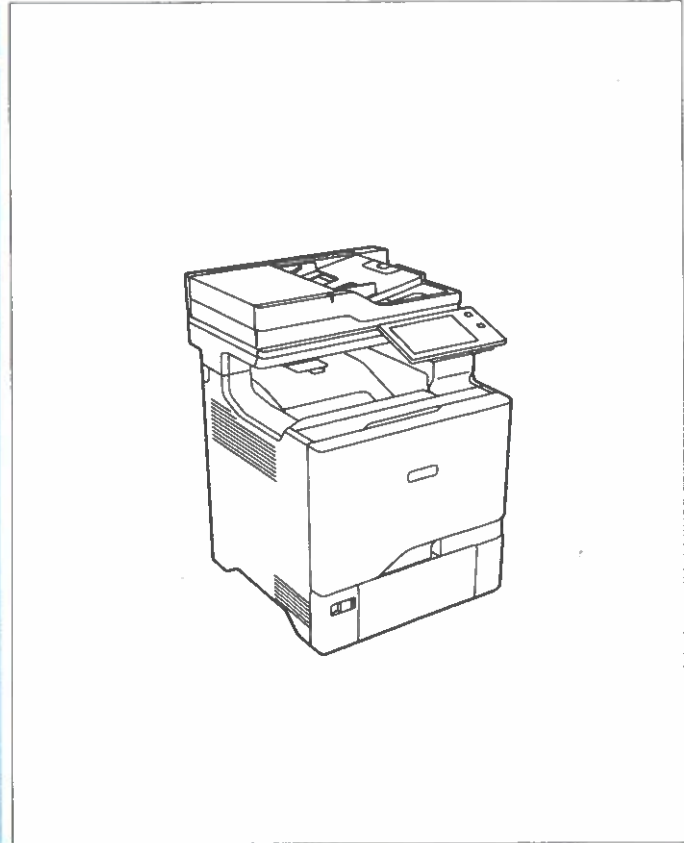
Data de instalação: Nov 28, 2024  
 Solicitar novamente: 00  
 Páginas restantes estimadas: 16000  
 (Com base na cobertura média deste cartucho de toner: 1%)

Vida útil restante: 100%  
 50%  
 0%

**Amarelo**

Data de instalação: Jul 24, 2024  
 Solicitar novamente: 00  
 Páginas restantes estimadas: 16000  
 (Com base na cobertura média deste cartucho de toner: 1%)

Vida útil restante: 100%  
 50%  
 0%



## Itens de manutenção de rotina

### Unidades de imagem



**Kit de tratamento de imagens em preto**

Data de instalação: Feb 6, 2024  
 Solicitar novamente: 4  
 Páginas restantes estimadas: 150000  
 (Com base no tamanho do trabalho da impressora em média: 1 Páginas)

Vida útil restante: 100%  
 50%  
 0%

**Kit de tratamento de imagens em cores**

Data de instalação: Feb 6, 2024  
 Solicitar novamente: 4  
 Páginas restantes estimadas: 150000  
 (Com base no tamanho do trabalho da impressora em média: 1 Páginas)

Vida útil restante: 100%  
 50%  
 0%

### Recipiente de resíduos



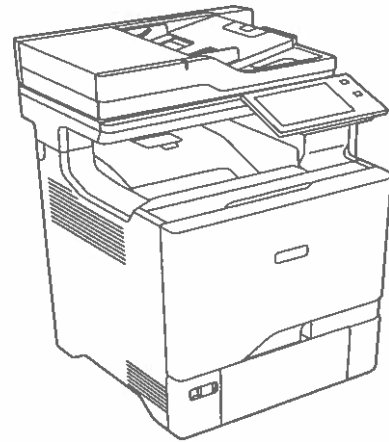
Data de instalação: Dec 6, 2024  
 Solicitar novamente: 008

OK








# Xerox® VersaLink® C625 Color Multifunction Printer

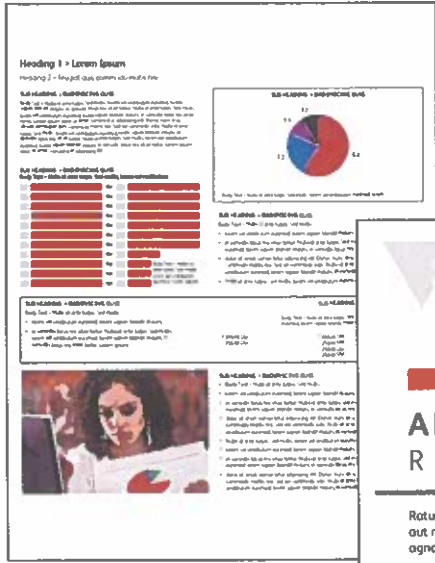
Powerful performance. Personalized productivity.

The VersaLink® C625 Color Multifunction Printer provides exceptional performance and unbeatable reliability. Cloud-connected, mobile-ready, app-enabled, and easy to customize, the C625 is your modern workplace assistant — transforming the way you work today, while ensuring you can keep up with the needs of tomorrow.



PRINT, COPY, SCAN, FAX, CLOUD

-  52 ppm Letter  
50 ppm A4
-  Solutions
-  Cloud connectivity
-  Single pass  
Two-sided scanning
-  1200 x 1200 dpi
-  Up to 2,850 pages
-  Optional: 4 additional  
paper trays



## Fontes residentes

Posição	Nome da Fonte	Amostra de impressão
1	Courier «Esc»(Symbol set«Esc»(s0p«pitch»h0s0b4099T	'ABCDEFGGabcdefg0123456789&?!.,'
2	CG Times «Esc»(Symbol set«Esc»(s1p«size»v0s0b4101T	'ABCDEFGGabcdefg0123456789&?!.,'
3	CG Times Bold «Esc»(Symbol set«Esc»(s1p«size»v0s3b4101T	'ABCDEFGGabcdefg0123456789&?!.,'
4	CG Times Italic «Esc»(Symbol set«Esc»(s1p«size»v1s0b4101T	' <i>ABCDEFGGabcdefg0123456789&amp;?!.,'</i>
5	CG Times Bold Italic «Esc»(Symbol set«Esc»(s1p«size»v1s3b4101T	' <b><i>ABCDEFGGabcdefg0123456789&amp;?!.,'</i></b>
6	CG Omega «Esc»(Symbol set«Esc»(s1p«size»v0s0b4113T	'ABCDEFGGabcdefg0123456789&?!.,'
7	CG Omega Bold «Esc»(Symbol set«Esc»(s1p«size»v0s3b4113T	' <b>ABCDEFGGabcdefg0123456789&amp;?!.,'</b>
8	CG Omega Italic «Esc»(Symbol set«Esc»(s1p«size»v1s0b4113T	' <i>ABCDEFGGabcdefg0123456789&amp;?!.,'</i>
9	CG Omega Bold Italic «Esc»(Symbol set«Esc»(s1p«size»v1s3b4113T	' <b><i>ABCDEFGGabcdefg0123456789&amp;?!.,'</i></b>
10	Coronet «Esc»(Symbol set«Esc»(s1p«size»v1s0b4116T	' <i>ABCDEFGGabcdefg0123456789&amp;?!.,'</i>
11	Clarendon Condensed «Esc»(Symbol set«Esc»(s1p«size»v4s3b4140T	' <b>ABCDEFGGabcdefg0123456789&amp;?!.,'</b>
12	Univers Medium «Esc»(Symbol set«Esc»(s1p«size»v0s0b4148T	'ABCDEFGGabcdefg0123456789&?!.,'
13	Univers Bold «Esc»(Symbol set«Esc»(s1p«size»v0s3b4148T	' <b>ABCDEFGGabcdefg0123456789&amp;?!.,'</b>
14	Univers Medium Italic «Esc»(Symbol set«Esc»(s1p«size»v1s0b4148T	' <i>ABCDEFGGabcdefg0123456789&amp;?!.,'</i>
15	Univers Bold Italic «Esc»(Symbol set«Esc»(s1p«size»v1s3b4148T	' <b><i>ABCDEFGGabcdefg0123456789&amp;?!.,'</i></b>
16	Univers Medium Condensed «Esc»(Symbol set«Esc»(s1p«size»v4s0b4148T	' <b>ABCDEFGGabcdefg0123456789&amp;?!.,'</b>
17	Univers Bold Condensed «Esc»(Symbol set«Esc»(s1p«size»v4s3b4148T	' <b>ABCDEFGGabcdefg0123456789&amp;?!.,'</b>
18	Univers Medium Condensed Italic «Esc»(Symbol set«Esc»(s1p«size»v5s0b4148T	' <i>ABCDEFGGabcdefg0123456789&amp;?!.,'</i>

## Fontes residentes

Posição	Nome da Fonte	Amostra de impressão
19	Univers Bold Condensed Italic «Esc»(Symbol set«Esc»(s1p«size»v5s3b4148T	' <b>ABCDEFGGabcdefg0123456789&amp;?!.,'</b>
20	Antique Olive «Esc»(Symbol set«Esc»(s1p«size»v0s0b4168T	'ABCDEFGabcdefg0123456789&?!.,'
21	Antique Olive Bold «Esc»(Symbol set«Esc»(s1p«size»v0s3b4168T	' <b>ABCDEFGGabcdefg0123456789&amp;?!.,'</b>
22	Antique Olive Italic «Esc»(Symbol set«Esc»(s1p«size»v1s0b4168T	' <i>ABCDEFGGabcdefg0123456789&amp;?!.,'</i>
23	Garamond Antiqua «Esc»(Symbol set«Esc»(s1p«size»v0s0b4197T	'ABCDEFGabcdefg0123456789&?!.,'
24	Garamond Halbfett «Esc»(Symbol set«Esc»(s1p«size»v0s3b4197T	' <b>ABCDEFGGabcdefg0123456789&amp;?!.,'</b>
25	Garamond Kursiv «Esc»(Symbol set«Esc»(s1p«size»v1s0b4197T	' <i>ABCDEFGGabcdefg0123456789&amp;?!.,'</i>
26	Garamond Kursiv Halbfett «Esc»(Symbol set«Esc»(s1p«size»v1s3b4197T	' <b><i>ABCDEFGGabcdefg0123456789&amp;?!.,'</i></b>
27	Marigold «Esc»(Symbol set«Esc»(s1p«size»v0s0b4297T	'ABCDEFGabcdefg0123456789&?!.,'
28	Albertus Medium «Esc»(Symbol set«Esc»(s1p«size»v0s1b4362T	'ABCDEFGabcdefg0123456789&?!.,'
29	Albertus Extra Bold «Esc»(Symbol set«Esc»(s1p«size»v0s4b4362T	' <b>ABCDEFGGabcdefg0123456789&amp;?!.,'</b>
30	Ryadh «Esc»(Symbol set«Esc»(s1p«size»v0s0b4859T	ABCDEFGabcdefg0123456789&?!.,'
31	Ryadh Bold «Esc»(Symbol set«Esc»(s1p«size»v0s3b4859T	<b>ABCDEFGabcdefg0123456789&amp;?!.,'</b>
32	Malka «Esc»(Symbol set«Esc»(s1p«size»v0s0b16584T	ABCDEFGabcdefg0123456789&?!.,'
33	Malka Bold «Esc»(Symbol set«Esc»(s1p«size»v0s3b16584T	<b>ABCDEFGabcdefg0123456789&amp;?!.,'</b>
34	Malka Italic «Esc»(Symbol set«Esc»(s1p«size»v1s0b16584T	<i>ABCDEFGabcdefg0123456789&amp;?!.,'</i>
35	Dorit «Esc»(Symbol set«Esc»(s1p«size»v0s0b16585T	ABCDEFGabcdefg0123456789&?!.,'
36	Dorit Bold «Esc»(Symbol set«Esc»(s1p«size»v0s3b16585T	<b>ABCDEFGabcdefg0123456789&amp;?!.,'</b>

## Fontes residentes

Posição	Nome da Fonte	Amostra de impressão
37	Naamit «Esc»(Symbol set«Esc»(s1p«size»v0s0b16587T	ABCDEFgabcdefg0123456789&?!.,'
38	Naamit Bold «Esc»(Symbol set«Esc»(s1p«size»v0s3b16587T	<b>ABCDEFgabcdefg0123456789&amp;?!.,'</b>
39	Arial «Esc»(Symbol set«Esc»(s1p«size»v0s0b16602T	'ABCDEFgabcdefg0123456789&?!.,'
40	Arial Bold «Esc»(Symbol set«Esc»(s1p«size»v0s3b16602T	<b>'ABCDEFgabcdefg0123456789&amp;?!.,'</b>
41	Arial Italic «Esc»(Symbol set«Esc»(s1p«size»v1s0b16602T	<i>'ABCDEFgabcdefg0123456789&amp;?!.,'</i>
42	Arial Bold Italic «Esc»(Symbol set«Esc»(s1p«size»v1s3b16602T	<b><i>'ABCDEFgabcdefg0123456789&amp;?!.,'</i></b>
43	Times New Roman «Esc»(Symbol set«Esc»(s1p«size»v0s0b16901T	'ABCDEFgabcdefg0123456789&?!.,'
44	Times New Roman Bold «Esc»(Symbol set«Esc»(s1p«size»v0s3b16901T	<b>'ABCDEFgabcdefg0123456789&amp;?!.,'</b>
45	Times New Roman Italic «Esc»(Symbol set«Esc»(s1p«size»v1s0b16901T	<i>'ABCDEFgabcdefg0123456789&amp;?!.,'</i>
46	Times New Roman Bold Italic «Esc»(Symbol set«Esc»(s1p«size»v1s3b16901T	<b><i>'ABCDEFgabcdefg0123456789&amp;?!.,'</i></b>
47	Helvetica «Esc»(Symbol set«Esc»(s1p«size»v0s0b24580T	'ABCDEFgabcdefg0123456789&?!.,'
48	Helvetica Bold «Esc»(Symbol set«Esc»(s1p«size»v0s3b24580T	<b>'ABCDEFgabcdefg0123456789&amp;?!.,'</b>
49	Helvetica Oblique «Esc»(Symbol set«Esc»(s1p«size»v1s0b24580T	<i>'ABCDEFgabcdefg0123456789&amp;?!.,'</i>
50	Helvetica Bold Oblique «Esc»(Symbol set«Esc»(s1p«size»v1s3b24580T	<b><i>'ABCDEFgabcdefg0123456789&amp;?!.,'</i></b>
51	Helvetica Narrow «Esc»(Symbol set«Esc»(s1p«size»v4s0b24580T	'ABCDEFgabcdefg0123456789&?!.,'
52	Helvetica Narrow Bold «Esc»(Symbol set«Esc»(s1p«size»v4s3b24580T	<b>'ABCDEFgabcdefg0123456789&amp;?!.,'</b>
53	Helvetica Narrow Oblique «Esc»(Symbol set«Esc»(s1p«size»v5s0b24580T	<i>'ABCDEFgabcdefg0123456789&amp;?!.,'</i>
54	Helvetica Narrow Bold Oblique «Esc»(Symbol set«Esc»(s1p«size»v5s3b24580T	<b><i>'ABCDEFgabcdefg0123456789&amp;?!.,'</i></b>

## Fontes residentes

Posição	Nome da Fonte	Amostra de impressão
55	Palatino Roman «Esc»(Symbol set«Esc»(s1p«size»v0s0b24591T	'ABCDEFGFGabcdefg0123456789&?!.,'
56	Palatino Bold «Esc»(Symbol set«Esc»(s1p«size»v0s3b24591T	'ABCDEFGFGabcdefg0123456789&?!.,'
57	Palatino Italic «Esc»(Symbol set«Esc»(s1p«size»v1s0b24591T	'ABCDEFGFGabcdefg0123456789&?!.,'
58	Palatino Bold Italic «Esc»(Symbol set«Esc»(s1p«size»v1s3b24591T	'ABCDEFGFGabcdefg0123456789&?!.,'
59	ITC Avant Garde Book «Esc»(Symbol set«Esc»(s1p«size»v0s0b24607T	'ABCDEFGFGabcdefg0123456789&?!.,'
60	ITC Avant Garde DemiBold «Esc»(Symbol set«Esc»(s1p«size»v0s2b24607T	'ABCDEFGFGabcdefg0123456789&?!.,'
61	ITC Avant Garde Book Oblique «Esc»(Symbol set«Esc»(s1p«size»v1s0b24607T	'ABCDEFGFGabcdefg0123456789&?!.,'
62	ITC Avant Garde DemiBold Oblique «Esc»(Symbol set«Esc»(s1p«size»v1s2b24607T	'ABCDEFGFGabcdefg0123456789&?!.,'
63	ITC Bookman Light «Esc»(Symbol set«Esc»(s1p«size»v0s-3b24623T	'ABCDEFGFGabcdefg0123456789&?!.,'
64	ITC Bookman DemiBold «Esc»(Symbol set«Esc»(s1p«size»v0s2b24623T	'ABCDEFGFGabcdefg0123456789&?!.,'
65	ITC Bookman Light Italic «Esc»(Symbol set«Esc»(s1p«size»v1s-3b24623T	'ABCDEFGFGabcdefg0123456789&?!.,'
66	ITC Bookman DemiBold Italic «Esc»(Symbol set«Esc»(s1p«size»v1s2b24623T	'ABCDEFGFGabcdefg0123456789&?!.,'
67	New Century Schoolbook Roman «Esc»(Symbol set«Esc»(s1p«size»v0s0b24703T	'ABCDEFGFGabcdefg0123456789&?!.,'
68	New Century Schoolbook Bold «Esc»(Symbol set«Esc»(s1p«size»v0s3b24703T	'ABCDEFGFGabcdefg0123456789&?!.,'
69	New Century Schoolbook Italic «Esc»(Symbol set«Esc»(s1p«size»v1s0b24703T	'ABCDEFGFGabcdefg0123456789&?!.,'
70	New Century Schoolbook Bold Ital «Esc»(Symbol set«Esc»(s1p«size»v1s3b24703T	'ABCDEFGFGabcdefg0123456789&?!.,'
71	Times Roman «Esc»(Symbol set«Esc»(s1p«size»v0s0b25093T	'ABCDEFGFGabcdefg0123456789&?!.,'
72	Times Roman Bold «Esc»(Symbol set«Esc»(s1p«size»v0s3b25093T	'ABCDEFGFGabcdefg0123456789&?!.,'



Fontes residentes

Posição	Nome da Fonte	Amostra de impressão
91	Courier PS Bold «Esc»(Symbol set«Esc»(s0p«pitch»h0s3b24579T	' <b>ABCDEFGGabcdefg0123456789&amp;?!.,'</b>
92	Courier PS Oblique «Esc»(Symbol set«Esc»(s0p«pitch»h1s0b24579T	' <i>ABCDEFGGabcdefg0123456789&amp;?!.,'</i>
93	Courier PS Bold Oblique «Esc»(Symbol set«Esc»(s0p«pitch»h1s3b24579T	' <b><i>ABCDEFGGabcdefg0123456789&amp;?!.,'</i></b>
93	Line Printer «Esc»(8U«Esc»(s0p16.67h8.48v0s0b0T	'ABCDEFGabcdefg0123456789&?!.,'


# Lista de fontes PostScript

## Fontes residentes:

AlbertusMT	ABCDEF abcdefg 0123456789 &?!\$,%
AlbertusMT-Italic	ABCDEF abcdefg 0123456789 &?!\$,%
AlbertusMT-Light	ABCDEF abcdefg 0123456789 &?!\$,%
AntiqueOlive-Bold	ABCDEF abcdefg 0123456789 &?!\$,%
AntiqueOlive-Compact	ABCDEF abcdefg 0123456789 &?!\$,%
AntiqueOlive-Italic	ABCDEF abcdefg 0123456789 &?!\$,%
AntiqueOlive-Roman	ABCDEF abcdefg 0123456789 &?!\$,%
Apple-Chancery	ABCDEF abcdefg 0123456789 &?!\$,%
Arial-BoldItalicMT	ABCDEF abcdefg 0123456789 &?!\$,%
Arial-BoldMT	ABCDEF abcdefg 0123456789 &?!\$,%
Arial-ItalicMT	ABCDEF abcdefg 0123456789 &?!\$,%
ArialMT	ABCDEF abcdefg 0123456789 &?!\$,%
AvantGarde-Book	ABCDEF abcdefg 0123456789 &?!\$,%
AvantGarde-BookOblique	ABCDEF abcdefg 0123456789 &?!\$,%
AvantGarde-Demi	ABCDEF abcdefg 0123456789 &?!\$,%
AvantGarde-DemiOblique	ABCDEF abcdefg 0123456789 &?!\$,%
Bodoni	ABCDEF abcdefg 0123456789 &?!\$,%
Bodoni-Bold	ABCDEF abcdefg 0123456789 &?!\$,%
Bodoni-BoldItalic	ABCDEF abcdefg 0123456789 &?!\$,%
Bodoni-Italic	ABCDEF abcdefg 0123456789 &?!\$,%
Bodoni-Poster	ABCDEF abcdefg 0123456789 &?!\$,%
Bodoni-PosterCompressed	ABCDEF abcdefg 0123456789 &?!\$,%
Bookman-Demi	ABCDEF abcdefg 0123456789 &?!\$,%
Bookman-DemiItalic	ABCDEF abcdefg 0123456789 &?!\$,%
Bookman-Light	ABCDEF abcdefg 0123456789 &?!\$,%
Bookman-LightItalic	ABCDEF abcdefg 0123456789 &?!\$,%
Carta	ABCDEF abcdefg 0123456789 &?!\$,%
Chicago	ABCDEF abcdefg 0123456789 &?!\$,%
Clarendon	ABCDEF abcdefg 0123456789 &?!\$,%
Clarendon-Bold	ABCDEF abcdefg 0123456789 &?!\$,%
Clarendon-Light	ABCDEF abcdefg 0123456789 &?!\$,%
CooperBlack	ABCDEF abcdefg 0123456789 &?!\$,%
CooperBlack-Italic	ABCDEF abcdefg 0123456789 &?!\$,%
Copperplate-ThirtyThreeBC	ABCDEF abcdefg 0123456789 &?!\$,%
Copperplate-ThirtyTwoBC	ABCDEF abcdefg 0123456789 &?!\$,%
Coronet-Regular	ABCDEF abcdefg 0123456789 &?!\$,%
Courier	ABCDEF abcdefg 0123456789 &?!\$,%
Courier-Bold	ABCDEF abcdefg 0123456789 &?!\$,%
Courier-BoldOblique	ABCDEF abcdefg 0123456789 &?!\$,%
Courier-Oblique	ABCDEF abcdefg 0123456789 &?!\$,%
Eurostile	ABCDEF abcdefg 0123456789 &?!\$,%
Eurostile-Bold	ABCDEF abcdefg 0123456789 &?!\$,%
Eurostile-BoldExtendedTwo	ABCDEF abcdefg 0123456789 &?!\$,%
Eurostile-ExtendedTwo	ABCDEF abcdefg 0123456789 &?!\$,%
Geneva	ABCDEF abcdefg 0123456789 &?!\$,%
GillSans	ABCDEF abcdefg 0123456789 &?!\$,%
GillSans-Bold	ABCDEF abcdefg 0123456789 &?!\$,%
GillSans-BoldCondensed	ABCDEF abcdefg 0123456789 &?!\$,%
GillSans-BoldItalic	ABCDEF abcdefg 0123456789 &?!\$,%
GillSans-Condensed	ABCDEF abcdefg 0123456789 &?!\$,%
GillSans-ExtraBold	ABCDEF abcdefg 0123456789 &?!\$,%
GillSans-Italic	ABCDEF abcdefg 0123456789 &?!\$,%
GillSans-Light	ABCDEF abcdefg 0123456789 &?!\$,%
GillSans-LightItalic	ABCDEF abcdefg 0123456789 &?!\$,%
Goudy	ABCDEF abcdefg 0123456789 &?!\$,%
Goudy-Bold	ABCDEF abcdefg 0123456789 &?!\$,%
Goudy-BoldItalic	ABCDEF abcdefg 0123456789 &?!\$,%
Goudy-ExtraBold	ABCDEF abcdefg 0123456789 &?!\$,%
Goudy-Italic	ABCDEF abcdefg 0123456789 &?!\$,%
GreekMono737	ABCDEF abcdefg 0123456789 &?!\$,%
GreekMono737-Bold	ABCDEF abcdefg 0123456789 &?!\$,%
GreekMono737-BoldItalic	ABCDEF abcdefg 0123456789 &?!\$,%
GreekMono737-Italic	ABCDEF abcdefg 0123456789 &?!\$,%
GreekMono851	ABCDEF abcdefg 0123456789 &?!\$,%
GreekMono851-Bold	ABCDEF abcdefg 0123456789 &?!\$,%
GreekMono851-BoldItalic	ABCDEF abcdefg 0123456789 &?!\$,%
GreekMono851-Italic	ABCDEF abcdefg 0123456789 &?!\$,%
GreekMono8859-7	ABCDEF abcdefg 0123456789 &?!\$,%
GreekMono8859-7Bold	ABCDEF abcdefg 0123456789 &?!\$,%

# Lista de fontes PostScript

## Fontes residentes (continuação):

GreekMono8859-7BoldItalic	<b>ABCDEF G abcdefg 0123456789 &amp;?!\$.,</b>
GreekMono8859-7Italic	<i>ABCDEF G abcdefg 0123456789 &amp;?!\$.,</i>
GreekSans737	<b>ABCDEF G abcdefg 0123456789 &amp;?!\$.,</b>
GreekSans737-Bold	<b>ABCDEF G abcdefg 0123456789 &amp;?!\$.,</b>
GreekSans737-BoldItalic	<b>ABCDEF G abcdefg 0123456789 &amp;?!\$.,</b>
GreekSans737-Italic	<i>ABCDEF G abcdefg 0123456789 &amp;?!\$.,</i>
GreekSans851	<b>ABCDEF G abcdefg 0123456789 &amp;?!\$.,</b>
GreekSans851-Bold	<b>ABCDEF G abcdefg 0123456789 &amp;?!\$.,</b>
GreekSans851-BoldItalic	<b>ABCDEF G abcdefg 0123456789 &amp;?!\$.,</b>
GreekSans851-Italic	<i>ABCDEF G abcdefg 0123456789 &amp;?!\$.,</i>
GreekSans8859-7	<b>ABCDEF G abcdefg 0123456789 &amp;?!\$.,</b>
GreekSans8859-7Bold	<b>ABCDEF G abcdefg 0123456789 &amp;?!\$.,</b>
GreekSans8859-7BoldItalic	<b>ABCDEF G abcdefg 0123456789 &amp;?!\$.,</b>
GreekSans8859-7Italic	<i>ABCDEF G abcdefg 0123456789 &amp;?!\$.,</i>
GreekSerif737	<b>ABCDEF G abcdefg 0123456789 &amp;?!\$.,</b>
GreekSerif737-Bold	<b>ABCDEF G abcdefg 0123456789 &amp;?!\$.,</b>
GreekSerif737-BoldItalic	<b>ABCDEF G abcdefg 0123456789 &amp;?!\$.,</b>
GreekSerif737-Italic	<i>ABCDEF G abcdefg 0123456789 &amp;?!\$.,</i>
GreekSerif851	<b>ABCDEF G abcdefg 0123456789 &amp;?!\$.,</b>
GreekSerif851-Bold	<b>ABCDEF G abcdefg 0123456789 &amp;?!\$.,</b>
GreekSerif851-BoldItalic	<b>ABCDEF G abcdefg 0123456789 &amp;?!\$.,</b>
GreekSerif851-Italic	<i>ABCDEF G abcdefg 0123456789 &amp;?!\$.,</i>
GreekSerif8859-7	<b>ABCDEF G abcdefg 0123456789 &amp;?!\$.,</b>
GreekSerif8859-7Bold	<b>ABCDEF G abcdefg 0123456789 &amp;?!\$.,</b>
GreekSerif8859-7BoldItalic	<b>ABCDEF G abcdefg 0123456789 &amp;?!\$.,</b>
GreekSerif8859-7Italic	<i>ABCDEF G abcdefg 0123456789 &amp;?!\$.,</i>
Helvetica	<b>ABCDEF G abcdefg 0123456789 &amp;?!\$.,€</b>
Helvetica-Bold	<b>ABCDEF G abcdefg 0123456789 &amp;?!\$.,€</b>
Helvetica-BoldOblique	<b>ABCDEF G abcdefg 0123456789 &amp;?!\$.,€</b>
Helvetica-Condensed	<b>ABCDEF G abcdefg 0123456789 &amp;?!\$.,€</b>
Helvetica-Condensed-Bold	<b>ABCDEF G abcdefg 0123456789 &amp;?!\$.,€</b>
Helvetica-Condensed-BoldOblique	<b>ABCDEF G abcdefg 0123456789 &amp;?!\$.,€</b>
Helvetica-Condensed-Oblique	<b>ABCDEF G abcdefg 0123456789 &amp;?!\$.,€</b>
Helvetica-Narrow	<b>ABCDEF G abcdefg 0123456789 &amp;?!\$.,€</b>
Helvetica-Narrow-Bold	<b>ABCDEF G abcdefg 0123456789 &amp;?!\$.,€</b>
Helvetica-Narrow-BoldOblique	<b>ABCDEF G abcdefg 0123456789 &amp;?!\$.,€</b>
Helvetica-Narrow-Oblique	<b>ABCDEF G abcdefg 0123456789 &amp;?!\$.,€</b>
Helvetica-Oblique	<b>ABCDEF G abcdefg 0123456789 &amp;?!\$.,€</b>
HoeflerText-Black	<b>ABCDEF G abcdefg 0123456789 &amp;?!\$.,€</b>
HoeflerText-BlackItalic	<b>ABCDEF G abcdefg 0123456789 &amp;?!\$.,€</b>
HoeflerText-Italic	<i>ABCDEF G abcdefg 0123456789 &amp;?!\$.,€</i>
HoeflerText-Ornaments	 —————→
HoeflerText-Regular	<b>ABCDEF G abcdefg 0123456789 &amp;?!\$.,€</b>
JoannaMT	<b>ABCDEF G abcdefg 0123456789 &amp;?!\$.,€</b>
JoannaMT-Bold	<b>ABCDEF G abcdefg 0123456789 &amp;?!\$.,€</b>
JoannaMT-BoldItalic	<b>ABCDEF G abcdefg 0123456789 &amp;?!\$.,€</b>
JoannaMT-Italic	<i>ABCDEF G abcdefg 0123456789 &amp;?!\$.,€</i>
LetterGothic	<b>ABCDEF G abcdefg 0123456789 &amp;?!\$.,€</b>
LetterGothic-Bold	<b>ABCDEF G abcdefg 0123456789 &amp;?!\$.,€</b>
LetterGothic-BoldSlanted	<b>ABCDEF G abcdefg 0123456789 &amp;?!\$.,€</b>
LetterGothic-Slanted	<i>ABCDEF G abcdefg 0123456789 &amp;?!\$.,€</i>
LubalinGraph-Book	<b>ABCDEF G abcdefg 0123456789 &amp;?!\$.,€</b>
LubalinGraph-BookOblique	<b>ABCDEF G abcdefg 0123456789 &amp;?!\$.,€</b>
LubalinGraph-Demi	<b>ABCDEF G abcdefg 0123456789 &amp;?!\$.,€</b>
LubalinGraph-DemiOblique	<b>ABCDEF G abcdefg 0123456789 &amp;?!\$.,€</b>
Marigold	<i>ABCDEF G abcdefg 0123456789 &amp;?!\$.,€</i>
MonaLisa-Recut	<b>ABCDEF G abcdefg 0123456789 &amp;?!\$.,€</b>
Monaco	<b>ABCDEF G abcdefg 0123456789 &amp;?!\$.,€</b>
NewCenturySchlBk-Bold	<b>ABCDEF G abcdefg 0123456789 &amp;?!\$.,€</b>
NewCenturySchlBk-BoldItalic	<b>ABCDEF G abcdefg 0123456789 &amp;?!\$.,€</b>
NewCenturySchlBk-Italic	<i>ABCDEF G abcdefg 0123456789 &amp;?!\$.,€</i>
NewCenturySchlBk-Roman	<b>ABCDEF G abcdefg 0123456789 &amp;?!\$.,€</b>
NewYork	<b>ABCDEF G abcdefg 0123456789 &amp;?!\$.,€</b>
Optima	<b>ABCDEF G abcdefg 0123456789 &amp;?!\$.,€</b>
Optima-Bold	<b>ABCDEF G abcdefg 0123456789 &amp;?!\$.,€</b>
Optima-BoldItalic	<b>ABCDEF G abcdefg 0123456789 &amp;?!\$.,€</b>
Optima-Italic	<i>ABCDEF G abcdefg 0123456789 &amp;?!\$.,€</i>
Oxford	<b>ABCDEF G abcdefg 0123456789 &amp;?!\$.,€</b>
Palatino-Bold	<b>ABCDEF G abcdefg 0123456789 &amp;?!\$.,€</b>

# Lista de fontes PostScript

## Fontes residentes (continuação):

Palatino-BoldItalic	ABCDEF G abcdefg 0123456789 &?!\$,%
Palatino-Italic	ABCDEF G abcdefg 0123456789 &?!\$,%
Palatino-Roman	ABCDEF G abcdefg 0123456789 &?!\$,%
StempelGaramond-Bold	ABCDEF G abcdefg 0123456789 &?!\$,%
StempelGaramond-BoldItalic	ABCDEF G abcdefg 0123456789 &?!\$,%
StempelGaramond-Italic	ABCDEF G abcdefg 0123456789 &?!\$,%
StempelGaramond-Roman	ABCDEF G abcdefg 0123456789 &?!\$,%
Symbol	ΑΒΧΔΕΦΓ αβγδεϕγ 0123456789 &?!\$,%
Tekton	ABCDEF G abcdefg 0123456789 &?!\$,%
Times-Bold	ABCDEF G abcdefg 0123456789 &?!\$,%
Times-BoldItalic	ABCDEF G abcdefg 0123456789 &?!\$,%
Times-Italic	ABCDEF G abcdefg 0123456789 &?!\$,%
Times-Roman	ABCDEF G abcdefg 0123456789 &?!\$,%
TimesNewRomanPS-BoldItalicMT	ABCDEF G abcdefg 0123456789 &?!\$,%
TimesNewRomanPS-BoldMT	ABCDEF G abcdefg 0123456789 &?!\$,%
TimesNewRomanPS-ItalicMT	ABCDEF G abcdefg 0123456789 &?!\$,%
TimesNewRomanPSMT	ABCDEF G abcdefg 0123456789 &?!\$,%
Univers	ABCDEF G abcdefg 0123456789 &?!\$,%
Univers-Bold	ABCDEF G abcdefg 0123456789 &?!\$,%
Univers-BoldExt	ABCDEF G abcdefg 0123456789 &?!\$,%
Univers-BoldExtObl	ABCDEF G abcdefg 0123456789 &?!\$,%
Univers-BoldOblique	ABCDEF G abcdefg 0123456789 &?!\$,%
Univers-Condensed	ABCDEF G abcdefg 0123456789 &?!\$,%
Univers-CondensedBold	ABCDEF G abcdefg 0123456789 &?!\$,%
Univers-CondensedBoldOblique	ABCDEF G abcdefg 0123456789 &?!\$,%
Univers-CondensedOblique	ABCDEF G abcdefg 0123456789 &?!\$,%
Univers-Extended	ABCDEF G abcdefg 0123456789 &?!\$,%
Univers-ExtendedObl	ABCDEF G abcdefg 0123456789 &?!\$,%
Univers-Light	ABCDEF G abcdefg 0123456789 &?!\$,%
Univers-LightOblique	ABCDEF G abcdefg 0123456789 &?!\$,%
Univers-Oblique	ABCDEF G abcdefg 0123456789 &?!\$,%
Wingdings	ⒶⒷⒸⒹⒺⒻⒼⒽⒾⒿⓀⓁⓂⓃⓄⓅⓆⓇⓈⓉⓊⓋⓌⓍⓎⓏⓐⓑⓓⓔⓖⓗⓙⓚⓛⓞⓟⓠⓡⓢⓣⓤⓥⓦⓧⓨⓩ⓪⓫⓬⓭⓮⓯⓰⓱⓲⓳⓴⓵⓶⓷⓸⓹⓺⓻⓼⓽⓾⓿
Wingdings-Regular	ⒶⒷⒸⒹⒺⒻⒼⒽⒾⒿⓀⓁⓂⓃⓄⓅⓆⓇⓈⓉⓊⓋⓌⓍⓎⓏⓐⓑⓓⓔⓖⓗⓙⓚⓛⓞⓟⓠⓡⓢⓣⓤⓥⓦⓧⓨⓩ⓪⓫⓬⓭⓮⓯⓰⓱⓲⓳⓴⓵⓶⓷⓸⓹⓺⓻⓼⓽⓾⓿
ZapfChancery-MediumItalic	ABCDEF G abcdefg 0123456789 &?!\$,%
ZapfDingbats	⌘ⓂⓃⓄⓅⓆⓇⓈⓉⓊⓋⓌⓍⓎⓏⓐⓑⓓⓔⓖⓗⓙⓚⓛⓞⓟⓠⓡⓢⓣⓤⓥⓦⓧⓨⓩ⓪⓫⓬⓭⓮⓯⓰⓱⓲⓳⓴⓵⓶⓷⓸⓹⓺⓻⓼⓽⓾⓿