

Supplies Usage

Supplies ordering information is located at www.xerox.com/office/supplies

Consumables

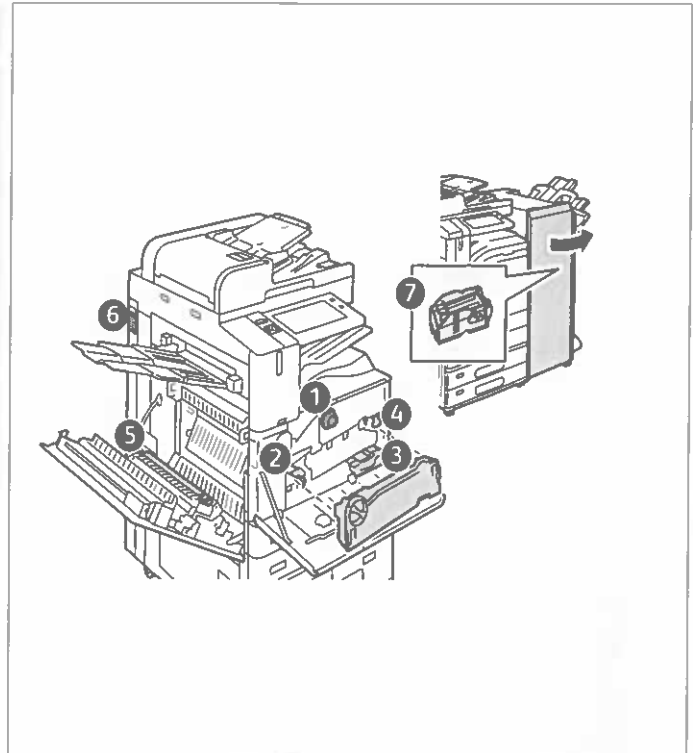
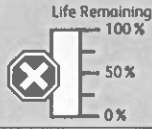
1 Toner Cartridges



Black

Date Installed: Unknown
 Reorder: Unknown
 Estimated Pages Remaining:
 (Based upon this toner cartridge's average coverage:)

Third Party Toner Mode. Toner status has been disabled.



7 Staple Refill



Reorder: 008R12941

OK

Routine Maintenance Items

2 Drum Cartridge



Black (R1)

Date Installed: Nov 9, 2024
 Reorder: 013R00686
 Estimated Pages Remaining: 181000
 (Based on average printer job size: 1 Pages)



3 Waste Container



Date Installed: Oct 28, 2024
 Reorder: 008R08101

OK

4 Transfer Belt Cleaner



Date Installed: Nov 13, 2024
 Reorder: 001R00623
 Estimated Pages Remaining: 160000



5 Second Bias Transfer Roller



Date Installed: Nov 13, 2024
 Reorder: 008R08103
 Estimated Pages Remaining: 360000



Supplies Usage

Consumables

1 Toner Cartridges



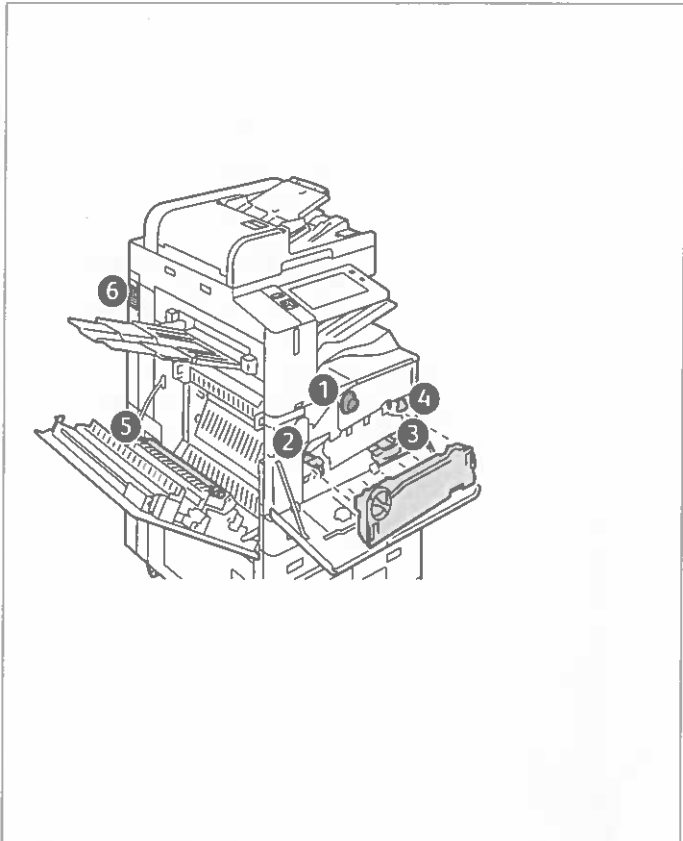
Black

Date Installed: Unknown
 Reorder: Unknown
 Estimated Pages Remaining:
 (Based upon this toner cartridge's average coverage:)

Life Remaining

100 %
50 %
0 %

Third Party Toner Made. Toner status has been disabled.



Routine Maintenance Items

2 Drum Cartridge



Black (R1)

Date Installed: Nov 9, 2024
 Reorder: 013R00686
 Estimated Pages Remaining: 181000
 (Based on average printer job size: 1 Pages)

Life Remaining

100 %
50 %
0 %

3 Waste Container



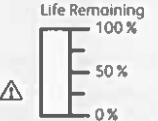
Date Installed: Oct 28, 2024
Reorder: 008R08101

OK

4 Transfer Belt Cleaner



Date Installed: Nov 13, 2024
Reorder: 001R00623
Estimated Pages Remaining: 500



5 Second Bias Transfer Roller



Date Installed: Nov 13, 2024
Reorder: 008R08103
Estimated Pages Remaining: 0

