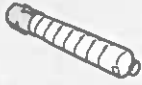


Supplies Usage

Supplies ordering information is located at www.xerox.com/office/supplies

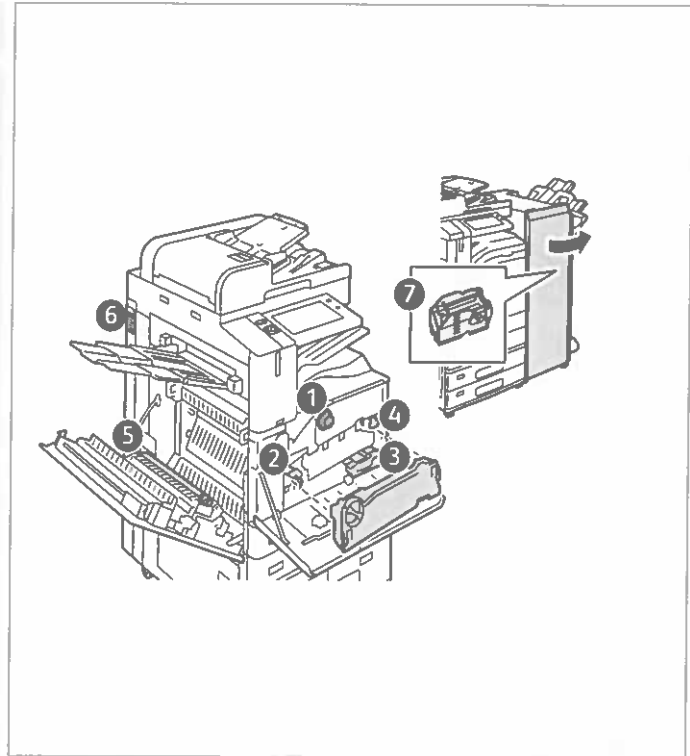
Consumables

1 Toner Cartridges



Black

Date Installed: Feb 6, 2024
Reorder: 006R01770
Estimated Pages Remaining: 19500
(Based upon this toner cartridge's average coverage: 0%)



7 Staple Refill



Reorder: 008R12941

OK

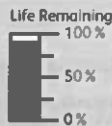
Routine Maintenance Items

2 Drum Cartridge



Black (R1)

Date Installed: Nov 9, 2024
Reorder: 013R00686
Estimated Pages Remaining: 181000
(Based on average printer job size: 1 Pages)



3 Waste Container



Date Installed: Oct 28, 2024
Reorder: 008R08101

OK

4 Transfer Belt Cleaner



Date Installed: Nov 13, 2024
Reorder: 001R00623
Estimated Pages Remaining: 160000



5 Second Bias Transfer Roller



Date Installed: Nov 13, 2024
Reorder: 008R08103
Estimated Pages Remaining: 360000

