

# Supplies Usage

## Consumables

### 1 Toner Cartridges



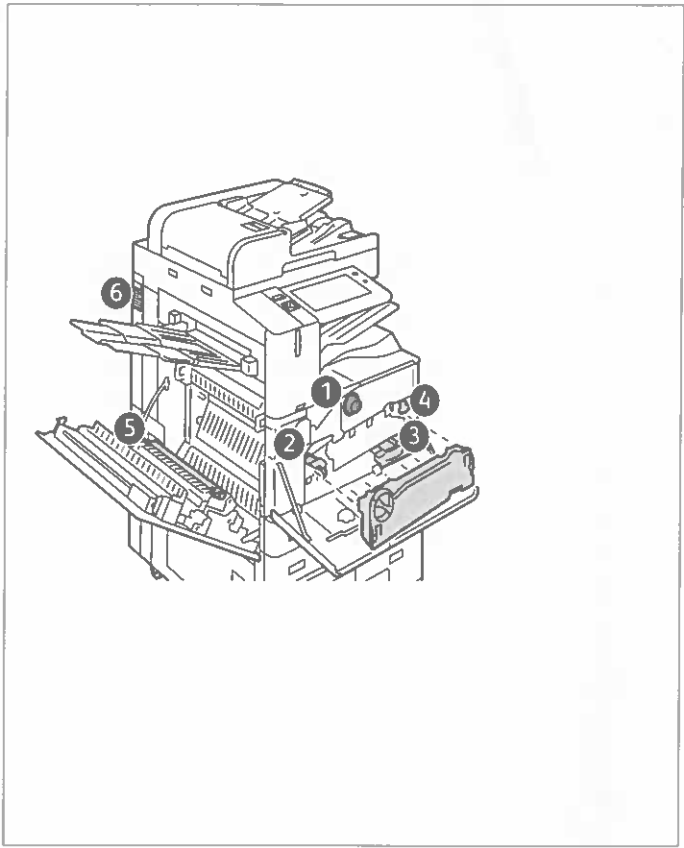
**Black**

Date Installed: Unknown  
 Reorder: Unknown  
 Estimated Pages Remaining:  
 (Based upon this toner cartridge's average coverage: )

Life Remaining

100%  
50%  
0%

Third Party Toner Mode. Toner status has been disabled.



## Routine Maintenance Items

### 2 Drum Cartridge



**Black (R1)**

Date Installed: Nov 9, 2024  
 Reorder: 013R00686  
 Estimated Pages Remaining: 181000  
 (Based on average printer job size: 1 Pages)

Life Remaining

100%  
50%  
0%

### 3 Waste Container



Date Installed: Oct 28, 2024  
 Reorder: 008R08101

OK

### 4 Transfer Belt Cleaner



Date Installed: Nov 13, 2024  
 Reorder: 001R00623  
 Estimated Pages Remaining: 0



### 5 Second Bias Transfer Roller



Date Installed: Nov 13, 2024  
 Reorder: 008R08103  
 Estimated Pages Remaining: 0

