

Common User Data

Machine Name: Xerox VersaLink C620 (29:BE:53)
 IP Address: 10.61.11.19
 Machine Serial Number: 5322980231
 Machine URL: https://10.61.11.19
 Machine Activation Date: Unknown
 Black Impressions: 147
 Color Impressions: 130
 Total Impressions: 277

Machine Profile

Xerox Asset Tag:
 Customer Asset Tag:
 Service Phone Number:
 Customer Support Number:
 Supplies Phone Number:
 System Administrator: System Administrator name not set
 Machine Location: machine location not set
Managed By
 Primary MB Server:

Machine Hardware

Foreign Interface Card: not present
 Device RAM Size: 1984 MB
 Device Storage Size: used=2639MB/total=14004MB (eMMC)
 EPC Memory Size: 187 MB
 Productivity Kit: Not Installed
 Finisher Type: Simple Catch Tray
 Finisher Punch: None
 Finisher Folder: not present

General Setup

Remote Services: Enabled
 Remote Software Download: Enabled
 Remote Services Trans. Time: 00:00
 Xerox Workplace Cloud: Enabled
 E-mail Alerts: Disabled
 Service Plan: Neutral
 Geographic Region: unknown
 GMT Offset: +05:30
 Cloning Installation: Allowed (Encrypted Files Only)
 File Sharing: Enabled
 JBIG2: Lossless
Energy Saver
 Deep Sleep: Enabled
 Energy Saver Mode: Job Activated
Smart Proximity Sensor
 Wake on Arrival: Not Available
 Sleep on Departure:

Software Versions

Device Software: 122.026.004.33810
 Patch Version: None
 Network Controller: 122.026.33810
 UI Panel Firmware: 6.2
 Marking Engine: 230.315
 Finisher: 000.000.000
Machine Upgrades:
 Last Successful Upgrade: Allowed
 December 7, 2024 01:08:32

Media Trays

Tray 1: Plain, White and A4 (210 x 297 mm)
 Bypass Tray: Plain, White and A4 (210 x 297 mm)

Installed Options

PS: Installed

Connectivity

Mobile Workflows
 AirPrint Printing: Enabled
 Mopria Printing Discovery: Enabled
Physical Connections
USB Settings
 USB Type A Ports: All Enabled
 USB Type B Port: Enabled
Wired:
 Ethernet MAC Address: Enabled
 Ethernet Speed/Duplex Setting: b6:2f:e5:29:be:53
 auto
 Disabled
Wireless:
 Wireless MAC Address:
 Network Name (SSID):
 BSSID:
 Security Mode:
 Encryption Algorithm:
 Status: Enabled
Wi-Fi Direct:
 Wireless Hardware: Not Installed
 Wi-Fi Protected Setup (WPS) Name:
 Access Point (SSID):
 Show Password on Device Touch Screen:
NFC:
 iBeacon (Bluetooth®) for AirPrint Di...: Enabled
 iBeacon Hardware: Not Installed
 Bluetooth Device Address:
 iBeacon IP Address:

Protocols

TCP/IPV4:
 IP Address: Enabled
 10.61.11.19
 Subnet Mask: 255.255.255.0
 Router/Gateway: ..
 Automatic Addressing: DHCP
 DHCP Server: 10.61.13.223
 DHCP Lease Expiration: Sat Dec 14 01:14:29 2024
 BOOTP Broadcast: Disabled
 Self Assigned Address State: Enabled
 Self Assigned Address:
TCP/IPV6:
 Link Local Address: Enabled
 fe80::b42f:e5ff:fe29:be53
 Use Router Supplied Prefix: Enabled
 fd00:0 2:111:b42f:e5ff:fe29:be53
 Stateless Global Address 1:
 Stateless Global Address 2:
 Manual Address:
 DHCP Addressing: Use DHCP as directed by a router
 DHCP Address:
 Default Gateway: fe80::8afc:5dff:fe75:e282
 DUID (DHCP Unique Identifier):
DNS Settings:
 Requested Host Name: XRXB62FES29BE53
 Verified Host Name:
 Requested Domain Name:
 Verified Domain Name:
 Multicast DNS: Enabled
 Release DHCP Leases and DNS Registrati...: Disabled
 Primary DNS Server: 10.61.10.6
 Prefer IPv6 DNS over IPv4: Enabled
Bonjour:
 Bonjour Printer Name: Xerox VersaLink C620 (29:BE:53)
HTTP:
 Force Traffic over Secure Connection (H...: Enabled
 IPP: Yes
 Enabled
SNMP
 SNMP v1/v2: Enabled
 SNMP v3: Disabled
LPR/LPD: Enabled
Raw IP Printing: Enabled
LDAP
 LDAP Server 1 Primary LDAP Address: 0.0.0.0:389
 LDAP Server 1 Search Directory Root:
 LDAP Server 1 Secure Connection (LDA...: Disabled
 LDAP Server 1 Validate Server Certificate...: Disabled
SMTP
 SMTP Server: 0.0.0.0:25
 Connect Encryption (TLS): No Encryption
 Validate Server Certificate (TLS):



Protocols (cont.)

NTP: Disabled
FTP Client: Enabled
FTP Client Mode: Passive
Web Services on Device: Enabled

Apps

Printing

Banner Sheet: Enabled
Error Sheets: Enabled
Paper Substitution: Enabled
Tray Priority: 1,6
Archival Marking Mode: Off
PostScript: Installed
Level: 3
Version: 3021.101
PCL: Enabled
Version: 6
Font Name: Courier
Custom Color Tables: Enabled
Label: Not Installed
Print From: Enabled
Saved Jobs for Reprint: Enabled
Print From USB: Enabled
Cloud Services: Disabled

Accounting

Accounting Mode: None
Network Accounting: Disabled

Security

Authentication Configuration

Machine UI Authentication: Locally on the Device
Home: Unlocked
Jobs Pathway: Unlocked
Printer Pathway: Unlocked
Device Website Authentication: Locally on the Device
Authorization: Locally on the Device
Authentication Server: Kerberos
Xerox Secure Access: Disabled
Audit Log: Enabled
IP Sec: Disabled
IP Filtering: Disabled

Security Certificates

Machine Certificate: Signed
Root Certificates Installed: 55
302.1x: Disabled

Job Data Removal:

Scheduled: Disabled
IPS 140-3: Disabled
TLS: TLS 1.2 and TLS 1.3
TLS Hash: SHA-1, SHA-256 and above
Trellix Embedded Control: Disabled

Common User Data

Machine Name: Xerox VersaLink C620 (29:BE:53)
 IP Address: 10.61.11.19
 Machine Serial Number: 5322980231
 Machine URL: https://10.61.11.19
 Machine Activation Date: Jan 01, 1970 05:30:00
 Black Impressions: 149
 Color Impressions: 131
 Total Impressions: 280

Machine Profile

Xerox Asset Tag:
 Customer Asset Tag:
 Service Phone Number:
 Customer Support Number:
 Supplies Phone Number:
 System Administrator: System Administrator name not set
 Machine Location: machine location not set

Managed By

Primary MB Server:

Machine Hardware

Foreign Interface Card: not present
 Device RAM Size: 1984 MB
 Device Storage Size: used=2933MB/total=14004MB (eMMC)
 EPC Memory Size: 187 MB
 Productivity Kit: Not Installed
 Finisher Type: Simple Catch Tray
 Finisher Punch: None
 Finisher Folder: not present

General Setup

Remote Services: Enabled
 Remote Software Download: Enabled
 Remote Services Trans. Time: 00:00
 Xerox Workplace Cloud: Enabled
 E-mail Alerts: Disabled
 Service Plan: Neutral
 Geographic Region: unknown
 Startup Config Report: Enabled
 GMT Offset: +05:30
 Cloning Installation: Allowed (Encrypted Files Only)
 Allow Print Submission of Clone Files: Disabled
 File Sharing: Enabled
 JBIG2: Lossless

Energy Saver

Deep Sleep: Enabled
 Energy Saver Mode: Job Activated
 Sleep Mode Timer: 1 minutes
 Auto-Off: Disabled

Software Versions

Device Software: 122.026.004.33810
 Patch Version: None
 Network Controller: 122.026.33810
 UI Panel Firmware: 6.2
 User Interface: 122.026.33810
 Marking Engine: 230.315
 Finisher: 000.000.000
 OS: 230.315
 Software Upgrade: 005.007
 ALTBOOT Software Upgrade: 005.007
Machine Upgrades:
 Last Successful Upgrade: Allowed
 December 7, 2024 01:08:32
 Scheduled Auto Upgrades: Disabled
 Auto Upgrade Start Time: Daily
 Auto Upgrade Server: 0.0.0.21

Media Trays

Tray 1: Plain, White and A4 (210 x 297 mm)
 Bypass Tray: Plain, White and A4 (210 x 297 mm)

Connectivity

Mobile Workflows

AirPrint Printing: Enabled
 Mopria Printing Discovery: Enabled
 Universal Print: Disabled
 Universal Print Registration Status: Not Registered

Physical Connections

USB Settings
 USB Type A Ports: All Enabled
 USB Type B Port: Enabled
 Connection Timeout: 5 seconds
Wired:
 Ethernet MAC Address: Enabled
 Ethernet Speed/Duplex Setting: b6:2fe5:29:be:53
 auto
 Disabled

Wireless:

Wireless MAC Address:

Network Name (SSID):

BSSID:

Security Mode:

Encryption Algorithm:

Status:

Wi-Fi Direct: Enabled

Wireless Hardware: Not Installed

Wi-Fi Protected Setup (WPS) Name:

Connection Method:

Subnet Prefix Address:

Access Point (SSID):

Show Password on Device Touch Screen:

NFC:

iBeacon (Bluetooth®) for AirPrint Di...

iBeacon Hardware:

Bluetooth Device Address:

Beacon IP Address:

Protocols

TCP/IPv4:

Enabled
 IP Address: 10.61.11.19
 Subnet Mask: 255.255.255.0
 Router/Gateway: 10.61.11.1
 Automatic Addressing: DHCP
 DHCP Server: 10.61.13.223
 DHCP Lease Expiration: Sat Dec 14 01:14:29 2024
 BOOTP Broadcast: Disabled
 Self Assigned Address State: Enabled
 Self Assigned Address:

TCP/IPv6:

Enabled
 Link Local Address: fe80::b42fe5fff:fe29:be53
 Use Router Supplied Prefix: Enabled
 Stateless Global Address 1: fd00:0:2:111:b42fe5fff:fe29:be53
 Stateless Global Address 2: ::
 Manual Address:
 DHCP Addressing: Use DHCP as directed by a router
 DHCP Address:
 Default Gateway: fe80::8afc::5dff:fe75:e282
 DUID (DHCP Unique Identifier):

DNS Settings:

Requested Host Name: XRXB62FE529BE53
 Verified Host Name:
 Requested Domain Name:
 Verified Domain Name:
 Multicast DNS: Enabled
 Release DHCP Leases and DNS Registrati...: Disabled
 Primary DNS Server: 10.61.10.6
 Alternate DNS Server 1: 10.61.10.7
 Alternate DNS Server 2: 10.61.7.15
 DNS Connection Timeout: 5
 Append Device Domain: Enabled
 Append Parent Domains: Disabled
 DNS Domain Search List: XEROXQA.COM.
 Prefer IPv6 DNS over IPv4: Enabled

Installed Options

PS: Installed

Protocols (cont.)

Bonjour:
 Bonjour Printer Name: Xerox VersaLink C620 (29:BE:53)

HTTP:
 Port Number: 80
 Force Traffic over Secure Connection (H...): Yes
 Secure HTTP Port Number: 443
 Proxy Server: Manual
 Proxy Server Address: 10.177.8.91:8080
 IPP: Enabled
 Secure IPP Mode: IPP and Secure IPPS
 IPP Network Path: http://10.61.11.19:631

SNMP
 SNMP v1/v2: Enabled
 SNMP v3: Disabled

LPR/LPD:
 Enabled
 Port Number: 515
 PDL Switching: Disabled
 PDL Banner Override: Disabled

Raw IP Printing:
 Enabled
 Port Number 1: 9100
 Bidirectional: Disabled
 End of Job Timeout: 300
 PDL Switching: Disabled

LDAP
 LDAP Server 1 Friendly Name:
 LDAP Server 1 Primary LDAP Address: 0.0.0.0:389
 LDAP Server 1 Alternate LDAP Address: 0.0.0.0:389
 LDAP Server 1 Search Directory Root:
 LDAP Server 1 Secure Connection (LDA...): Disabled
 LDAP Server 1 Validate Server Certificate...: Disabled

SMTP
 SMTP Server: 0.0.0.0:25
 Connect Encryption (TLS): No Encryption
 Validate Server Certificate (TLS):
 Max Message Size (KB): 10240
 Number of Fragments: 1
 Total Job Size (KB): 300000
 Job Splitting Boundary: Page Boundary
 Credentials for Auto E-mails: None

POP3
 POP3 Server: 0.0.0.0:110
 POP3 Secure Connection (TLS): Disabled
 E-mail Address:
 Receipt of E-mail via POP3: Disabled
 Send Confirm on Request: Enabled
 Incoming E-mail cover sheet: Enabled

NTP:
 Disabled
 Primary Server: 0.0.0.0:123
 Alternate Server: 0.0.0.0:123

SLP:
 Disabled

FTP Client:
 Enabled
 FTP Client Mode: Passive

Web Services on Device:
 Enabled
 WS-Discovery: Enabled
 WS-Discovery Multicast: Enabled
 WS-Print: Enabled

Web Services
 Digital Certificate Management and Securi...: Enabled
 Extensible Service Registration: Enabled
 Job Limits: Enabled
 Job Management Extension: Enabled
 Device Configuration: Enabled
 Session Data: Enabled
 User Interface Configuration: Enabled
 EIP Proxy Configuration: Enabled
 Xerox Secure Access: Disabled
 EIP SNMP Configuration: Enabled
 Print Submission: Enabled
 Mass Storage Access: Enabled
 Card Reader Access: Enabled
 Authentication & Accounting Configur...: Enabled
 Export Audit Log: Enabled
 Trielx Embedded Control: Enabled

Apps

Printing

Banner Sheet: Enabled
 Sys/Start Job: Disabled
 Delete Held Jobs After: 3 Day(s) 0 Hour(s) 0 Minute(s)
 Error Sheets: Enabled
 Paper Substitution: Enabled
 Tray Priority: 1,6
 Default Copies: 1
 Default Job Type: Normal Print
 Default Paper Size: x=8.50 inches, y=11.00 inches
 Default Paper Color: White
 Default 2 Sided Printing: 2 Sided
 Default Output Tray: Center Tray
 Default Output Color: Color
 Default Collated Sets: Enabled
 Default Stapling: Not Available
 Offsetting Between Jobs: No Offset Between Jobs
 Archival Marking Mode: Off
 PostScript: Installed
 Level: 3
 Version: 3021.101
 Image Quality: Enhanced

PCL
 Version: 6
 Pitch Size: 10.00
 Point Size: 12.00
 Font Name: Courier
 Lines Per Page: 60
 Custom Color Tables: Enabled
 Label: Not Installed

Print From:
 Saved Jobs for Reprint: Enabled
 Print From USB: Enabled
 Cloud Services: Disabled

Accounting

Accounting Mode: None
 Network Accounting: Disabled

Security

Authentication Configuration

Machine UI Authentication: Locally on the Device
 Home: Unlocked
 Jobs Pathway: Unlocked
 Printer Pathway: Unlocked
 Device Website Authentication: Locally on the Device
 Authorization: Locally on the Device

Authentication Server:

Kerberos Primary Realm: Kerberos
 Kerberos Primary Address: 0.0.0.0:88
 Kerberos Alt 1 Realm: 0.0.0.0:88
 Kerberos Alt 1 Address: 0.0.0.0:88
 SMB NT Domain: 0.0.0.0:443
 SMB Alt 1 NT Domain: 0.0.0.0:443
 Smartcard Ctrl Server: 0.0.0.0:443
 Smartcard Ctrl Domain: 0.0.0.0:443
 SmartCard OCSP URL: Enabled
 Card Reader Upgrade Policy: Enabled
 Card Reader Firmware Version: Disabled

Xerox Secure Access:

Secure Access Server: 0.0.0.0:443
 Secure Access Path: Disabled

Audit Log:

IP Sec: Enabled
 IP Filtering: Disabled

Security Certificates

Machine Certificate: Signed
 Root Certificates Installed: 55
 802.1x: Disabled

Job Data Removal:

Scheduled: Disabled
 Scheduled Frequency: Monthly

FIPS 140-3:

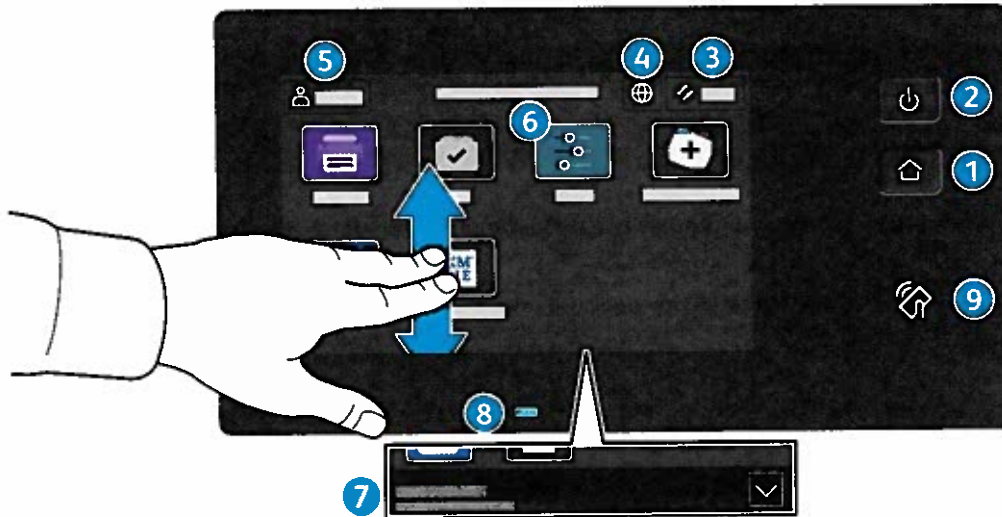
TLS: Disabled
 TLS Hash: TLS 1.2 and TLS 1.3
 Trellix Embedded Control: SHA-1, SHA-256 and above

Extensible Service Setup

Third Generation Browser: X3G_3.24.23_2.40.5_012_01.00.00
 Widget Version: v1.3.17 c8 20140613
 Widget Version: v2.5.04 g9 20240123

Control Panel

Available apps can vary based on your printer setup. For details about apps and features, refer to the *User Guide*.



- 1 Home returns to the main app screen.
- 2 Power/Wake starts the printer or provides options to sleep, restart or power off the printer.
- 3 Reset restores settings to their default values in all apps.
- 4 Language provides choice of screen languages.
- 5 Log In provides special access to tools and settings.
- 6 Device app provides access to printer information and settings.
- 7 Notification banner shows printer status and warnings. To see all notifications, touch the banner. To close the banner, touch the down arrow.
- 8 Status LED indicates printer status. For detailed information, refer to the *User Guide*.
- 9 NFC Area allows pairing with a mobile device to print from an app.

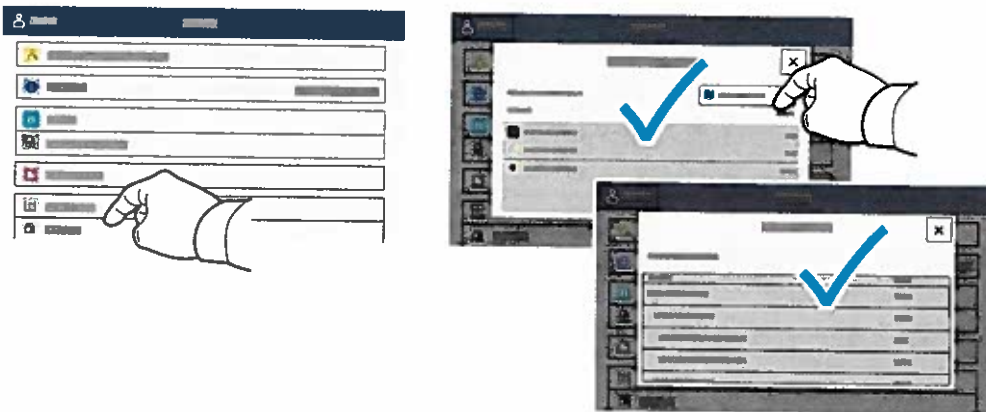
Device app

The Device app provides access to supplies status, printer information, and settings. Some menus and settings require log in with the administrator name and password.



Billing and Usage Information

In the Device features menu, to view basic impression counts, touch **Billing/Usage**. To view detailed usage counts, touch **Usage Counters**. The list provides detailed impression count categories.

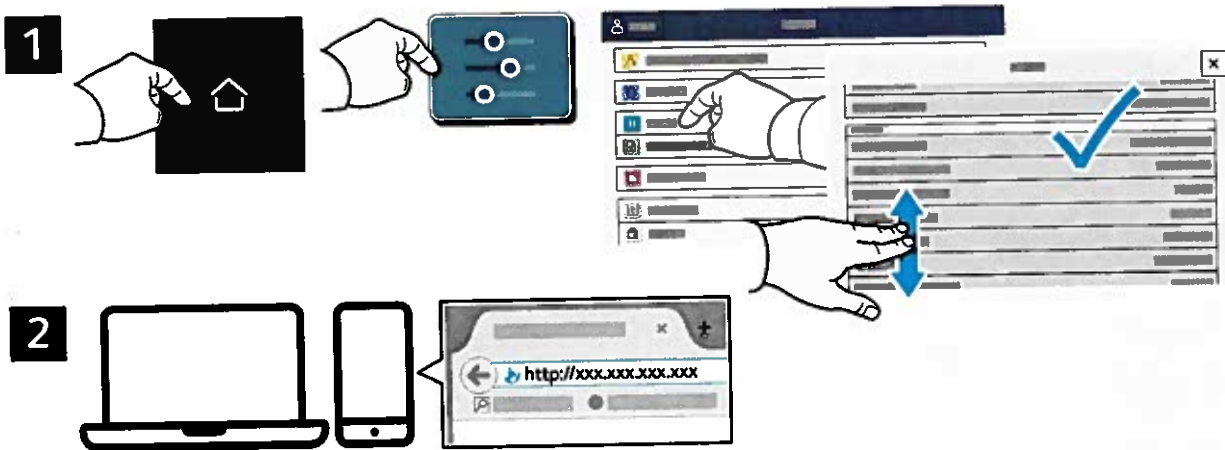


Embedded Web Server

The Xerox® Embedded Web Server enables you to access printer configuration details, paper and supplies status, job status, and diagnostic functions over a network.

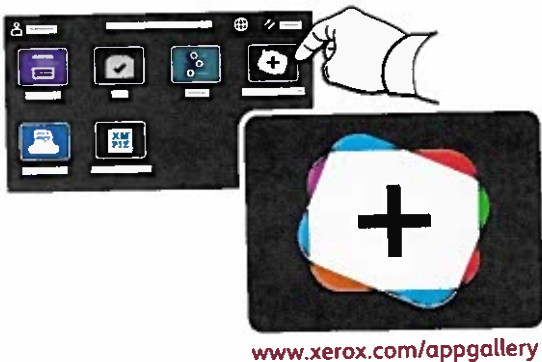
To connect, in a Web browser, type the printer IP address. The network IPv4 address is available on the control panel touch screen. Touch **Device** app > **About**, then scroll down.

For details on using the Embedded Web Server, refer to the *User Guide* located on Xerox.com.



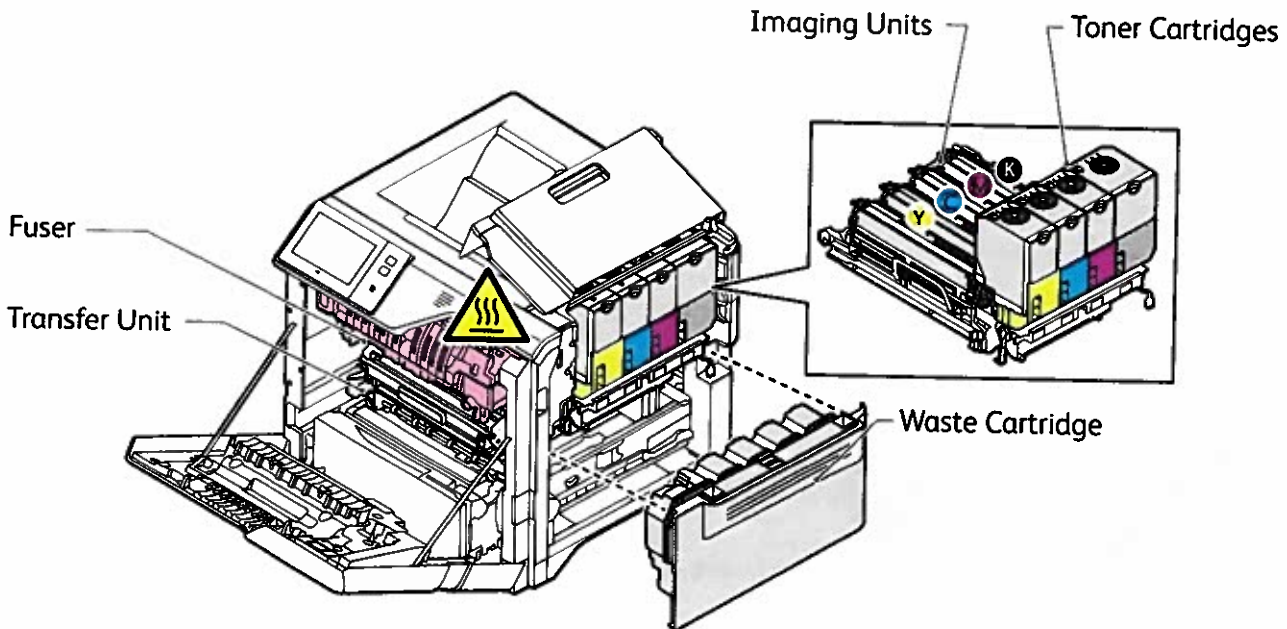
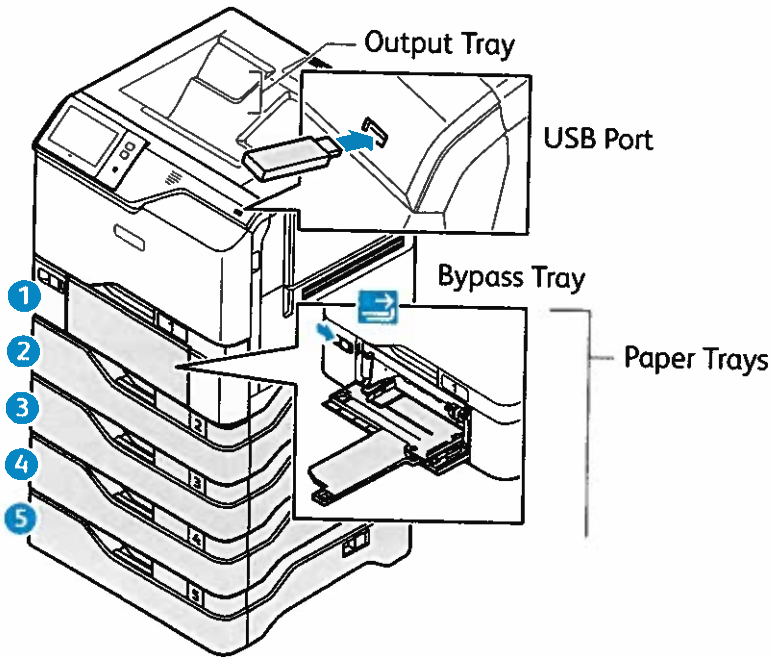
App Gallery

The Xerox App Gallery has a growing collection of productivity apps that you can install on your printer. Find the app on your home screen and create your login directly, or go to www.xerox.com/appgallery to log in and add your device. To simplify app installation, use the same name for your app gallery login credentials that you used for the printer login.



Printer Tour

Optional accessories can be part of your printer setup. For details, refer to the *User Guide*.



Paper Handling

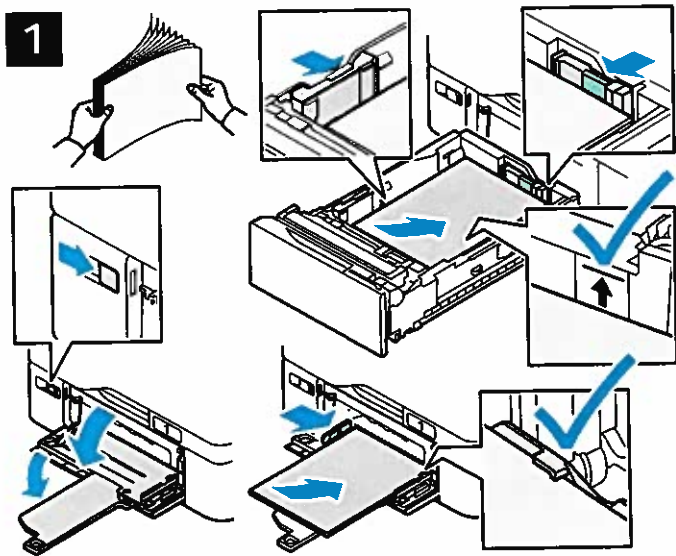
For a complete list of paper that works with your printer, see the Recommended Media List at:

www.xerox.com/rmlna (U. S. and Canada)

www.xerox.com/rmleu (Europe)

For details about trays and paper, refer to the *User Guide*.

Loading Paper



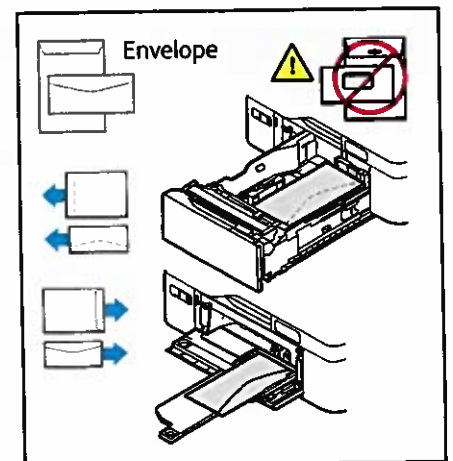
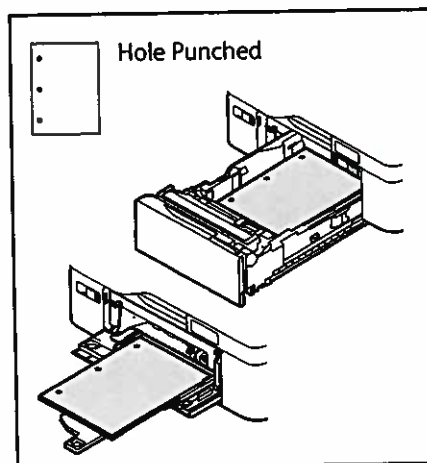
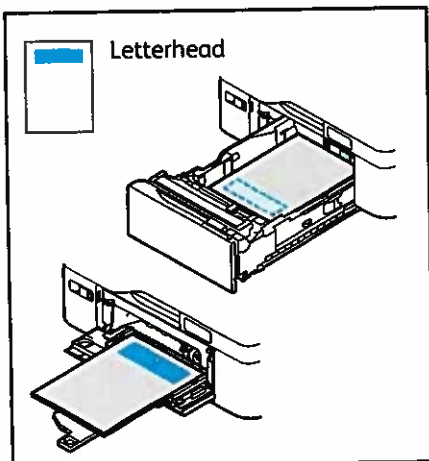
Confirm or change size, type, and color settings if needed.



For the best results, fan the edges of the paper. Adjust the guides to fit the paper size. Do not load paper above the maximum fill line.

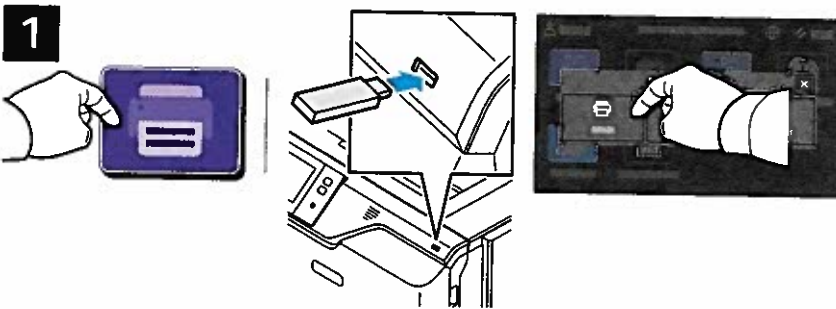
When printing, select options in the print driver.

Paper Orientation

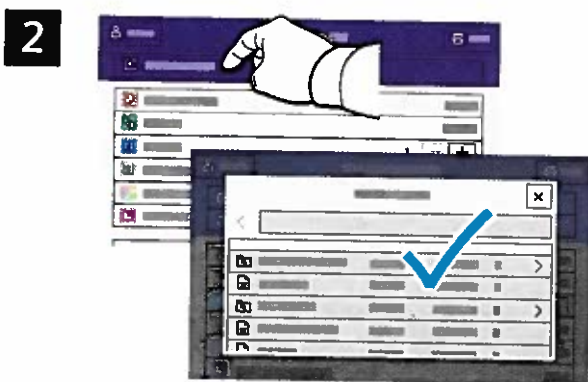


Printing from a USB Flash Drive

You can print .pdf, .tiff, .ps, .xps and other files types directly from a USB Flash Drive. For more information, refer to the *User Guide*.



Touch **Print From** or insert your USB Flash Drive, then choose **Print From USB**.



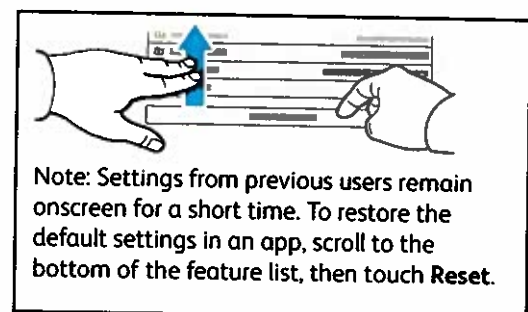
Touch **Add Document**, then navigate to your files and select them.



To select the number of copies, touch the plus sign (+) or the minus sign (-). For larger numbers, touch **Quantity** then enter a number.



Select settings as needed, then touch **Print**.



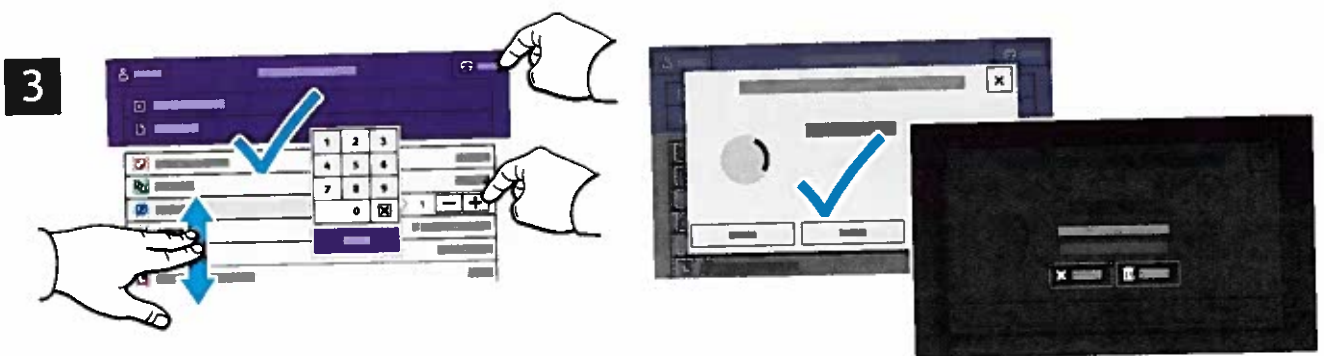
Printing Jobs Stored on the Printer



You can send a print job to save to the printer, then select the job from the printer control panel to print at a later time. Jobs can be saved in the public folder or be password protected. In the Xerox® printer driver, select **Properties** (Windows) or **Xerox Features** (Mac OS), then **Job Type**. Select **Saved Job** or **Secure Print**. For Secure Print, type a passcode. Click **OK** and print the job.



Touch **Print From** then touch **Saved Jobs**. Select the **Default Public Folder** then select your print job.



Select settings from the list. To select the number of copies, touch the plus sign (+) or the minus sign (-). For larger numbers, touch **Quantity** then enter a number. Touch **Print**. To delete the job, in the printing screen and confirmation screen, touch **Delete**.

Common User Data

Machine Name: Xerox VersaLink C620 (29:BE:53)
 IP Address: 10.61.11.19
 Machine Serial Number: 5322980231
 Machine URL: https://10.61.11.19
 Machine Activation Date: Jan 01, 1970 05:30:00
 Black Impressions: 151
 Color Impressions: 132
 Total Impressions: 283

Machine Profile

Xerox Asset Tag:
 Customer Asset Tag:
 Service Phone Number:
 Customer Support Number:
 Supplies Phone Number:
 System Administrator:
 Machine Location:
Managed By
 Primary MB Server:

Machine Hardware

Foreign Interface Card: not present
 Device RAM Size: 1984 MB
 Device Storage Size: used=2970MB/total=0MB (eMMC)
 EPC Memory Size: 187 MB
 Productivity Kit: Not Installed
 Finisher Type: Simple Catch Tray
 Finisher Punch: None
 Finisher Folder: not present

General Setup

Remote Services: Enabled
 Remote Software Download: Enabled
 Remote Services Trans. Time: 00:00
 Xerox Workplace Cloud: Enabled
 E-mail Alerts: Disabled
 Service Plan: Neutral
 Geographic Region: unknown
 GMT Offset: +05:30
 Cloning Installation: Allowed (Encrypted Files Only)
 File Sharing: Enabled
 JBIG2: Lossless

Energy Saver

Deep Sleep: Enabled
 Energy Saver Mode: Job Activated
Smart Proximity Sensor
 Wake on Arrival: Not Available
 Sleep on Departure:

Software Versions

Device Software: 122.026.004.33810
 Patch Version: None
 Network Controller: 122.026.33810
 UI Panel Firmware: 6.2
 Marking Engine: 230.315
 Finisher: 000,000,000
Machine Upgrades:
 Last Successful Upgrade: December 7, 2024 01:08:32

Media Trays

Tray 1: Plain, White and A4 (210 x 297 mm)
 Bypass Tray: Plain, White and A4 (210 x 297 mm)

Installed Options

PS: Installed

Connectivity

Mobile Workflows

AirPrint Printing: Enabled
 Mopria Printing Discovery: Enabled

Physical Connections

USB Settings

USB Type A Ports: All Enabled
 USB Type B Port: Enabled

Wired:

Ethernet MAC Address: b6:2f:e5:29:be:53
 Ethernet Speed/Duplex Setting: auto
Wireless:
 Disabled

Wireless:

Wireless MAC Address:
 Network Name (SSID):
 BSSID:
 Security Mode:
 Encryption Algorithm:
 Status:

Wi-Fi Direct:

Wireless Hardware: Not Installed

Wi-Fi Protected Setup (WPS) Name:
 Access Point (SSID):
 Show Password on Device Touch Screen:

NFC:

iBeacon (Bluetooth®) for AirPrint Di...: Enabled
 iBeacon Hardware: Enabled
 Bluetooth Device Address: Not Installed
 iBeacon IP Address:

Protocols

TCP/IPV4:

Enabled
 IP Address: 10.61.11.19
 Subnet Mask: 255.255.255.0
 Router/Gateway: 10.61.11.1
 Automatic Addressing: DHCP
 DHCP Server: 10.61.13.223
 DHCP Lease Expiration: Sat Dec 14 01:14:29 2024
 BOOTP Broadcast: Disabled
 Self Assigned Address State: Enabled
 Self Assigned Address:

TCP/IPV6:

Enabled
 Link Local Address: fe80:b42fe5fffe29:be53
 Use Router Supplied Prefix: Enabled
 Stateless Global Address 1: fd00:0:2:111:b42fe5fffe29:be53
 Stateless Global Address 2: ::
 Manual Address:
 DHCP Addressing: Use DHCP as directed by a router
 DHCP Address:
 Default Gateway: fe80:8afc:5dff:fe75:e282
 DUID (DHCP Unique Identifier):

DNS Settings:

Requested Host Name: XRXB62FE529BE53
 Verified Host Name:
 Requested Domain Name:
 Verified Domain Name:
 Multicast DNS: Enabled
 Release DHCP Leases and DNS Registrat...: Disabled
 Primary DNS Server: 10.61.10.6
 Prefer IPv6 DNS over IPv4: Enabled

Bonjour:

Bonjour Printer Name: Xerox VersaLink C620 (29:BE:53)

HTTP:

Enabled
 Force Traffic over Secure Connection (H...: Yes
 IPP: Enabled

SNMP

SNMP v1/v2: Enabled
 SNMP v3: Disabled

LPR/LPD:

Enabled

Raw IP Printing:

Enabled

LDAP

LDAP Server 1 Primary LDAP Address: 0.0.0.0:389
 LDAP Server 1 Search Directory Root:
 LDAP Server 1 Secure Connection (LDA...: Disabled
 LDAP Server 1 Validate Server Certificate...: Disabled

SMTP

SMTP Server: 0.0.0.0:25
 Connect Encryption (TLS): No Encryption
 Validate Server Certificate (TLS):

Protocols (cont.)

NTP:	Disabled
FTP Client:	Enabled
FTP Client Mode:	Passive
Web Services on Device:	Enabled

Apps**Printing**

Banner Sheet:	Enabled
Error Sheets:	Enabled
Paper Substitution:	Enabled
Tray Priority:	1,6
Archival Marking Mode	Off
PostScript	Installed
Level:	3
Version:	3021.101
PCL	
Version:	6
Font Name:	Courier
Custom Color Tables	Enabled
Label:	Not Installed
Print From:	Enabled
Saved Jobs for Reprint:	Enabled
Print From USB:	Enabled
Cloud Services:	Disabled

Accounting

Accounting Mode:	None
Network Accounting:	Disabled

Security**Authentication Configuration**

Machine UI Authentication:	Locally on the Device
Home:	Unlocked
Jobs Pathway:	Unlocked
Printer Pathway:	Unlocked
Device Website Authentication:	Locally on the Device
Authorization:	Locally on the Device

Authentication Server:**Xerox Secure Access:****Audit Log:****IP Sec:****IP Filtering:****Security Certificates**

Machine Certificate:	Signed
Root Certificates Installed:	55
802.1x:	Disabled

Job Data Removal:

Scheduled:	Disabled
FIPS 140-3:	Disabled

TLS:

TLS Hash:	SHA-1, SHA-256 and above
-----------	--------------------------

Trellix Embedded Control:

Disabled