

Supplies Usage

Consumables

1 Toner Cartridges

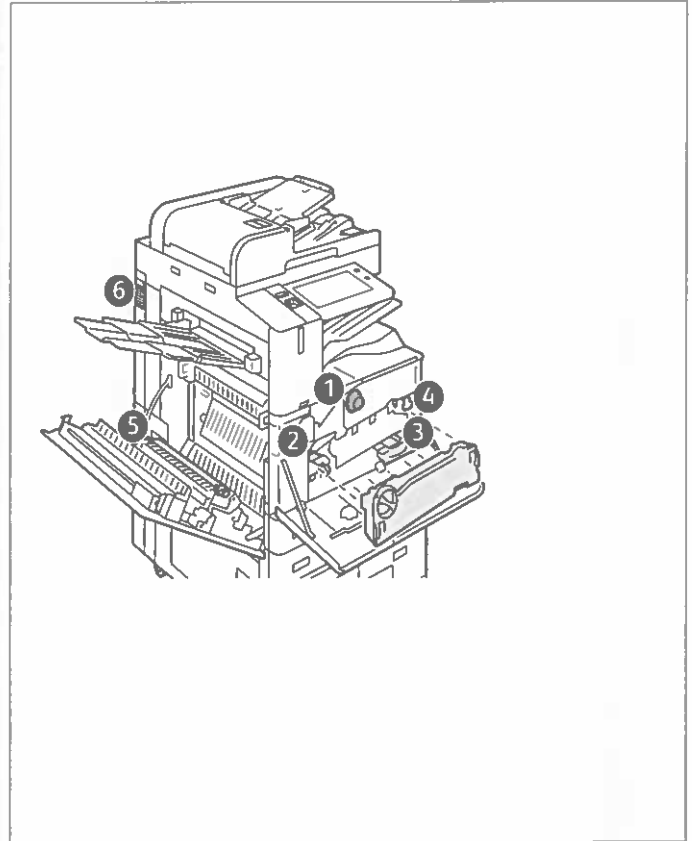
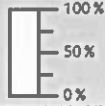


Black

Date Installed: Unknown
 Reorder: Unknown
 Estimated Pages Remaining:
 (Based upon this toner cartridge's average coverage:)

Third Party Toner Mode. Toner status has been disabled.

Life Remaining



Routine Maintenance Items

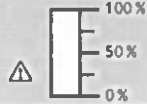
2 Drum Cartridge



Black (R1)

Date Installed: May 4, 2022
 Reorder: 013R00686
 Estimated Pages Remaining: 0
 (Based on average printer job size: 1 Pages)

Life Remaining



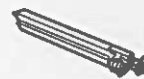
3 Waste Container



Date Installed: Unknown
 Reorder: 008R08101

OK

4 Transfer Belt Cleaner



Date Installed: Aug 29, 2024
 Reorder: 001R00623
 Estimated Pages Remaining: 100000

Life Remaining



5 Second Bias Transfer Roller



Date Installed: Aug 29, 2024
 Reorder: 008R08103
 Estimated Pages Remaining: 36000

Life Remaining

