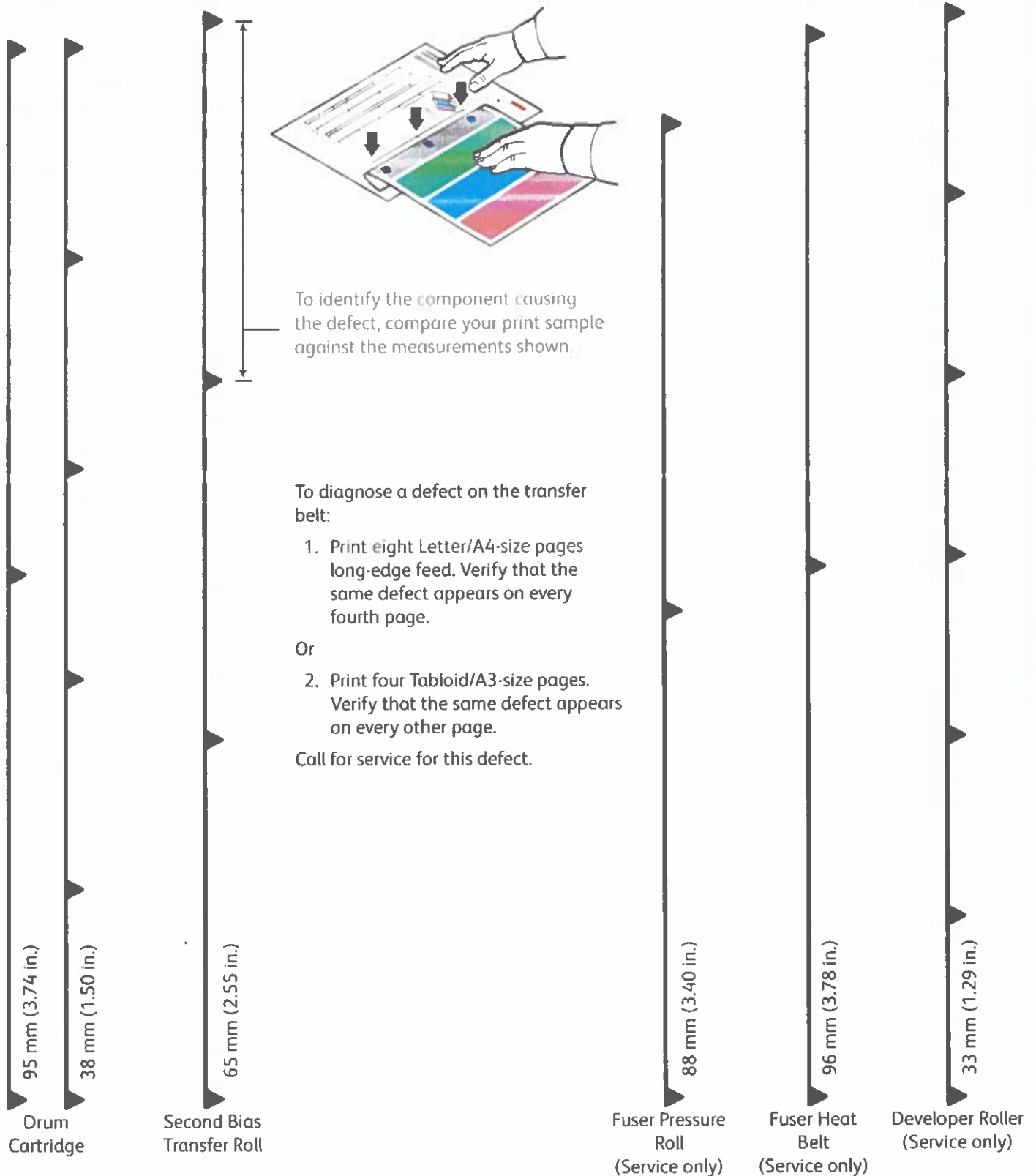
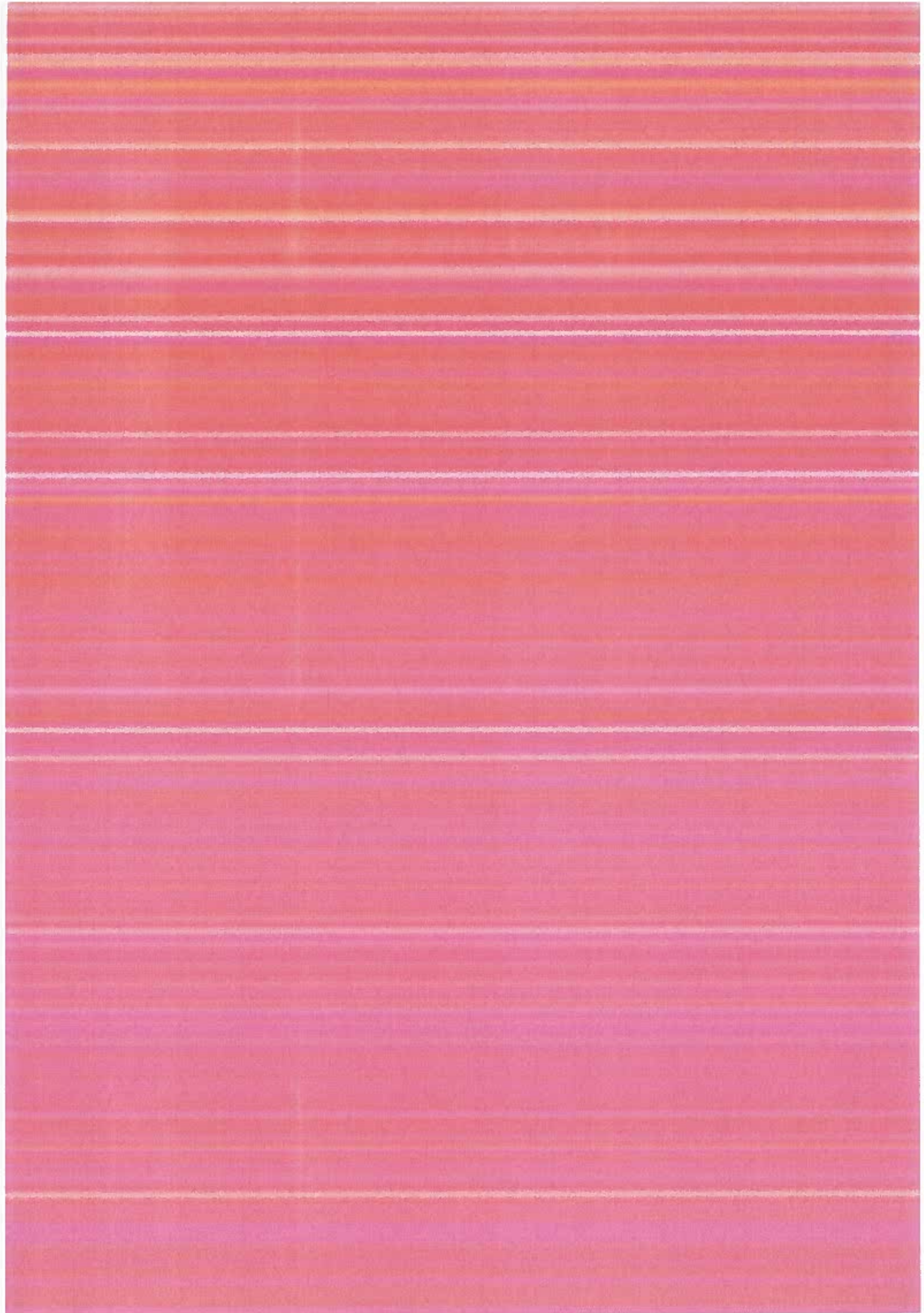
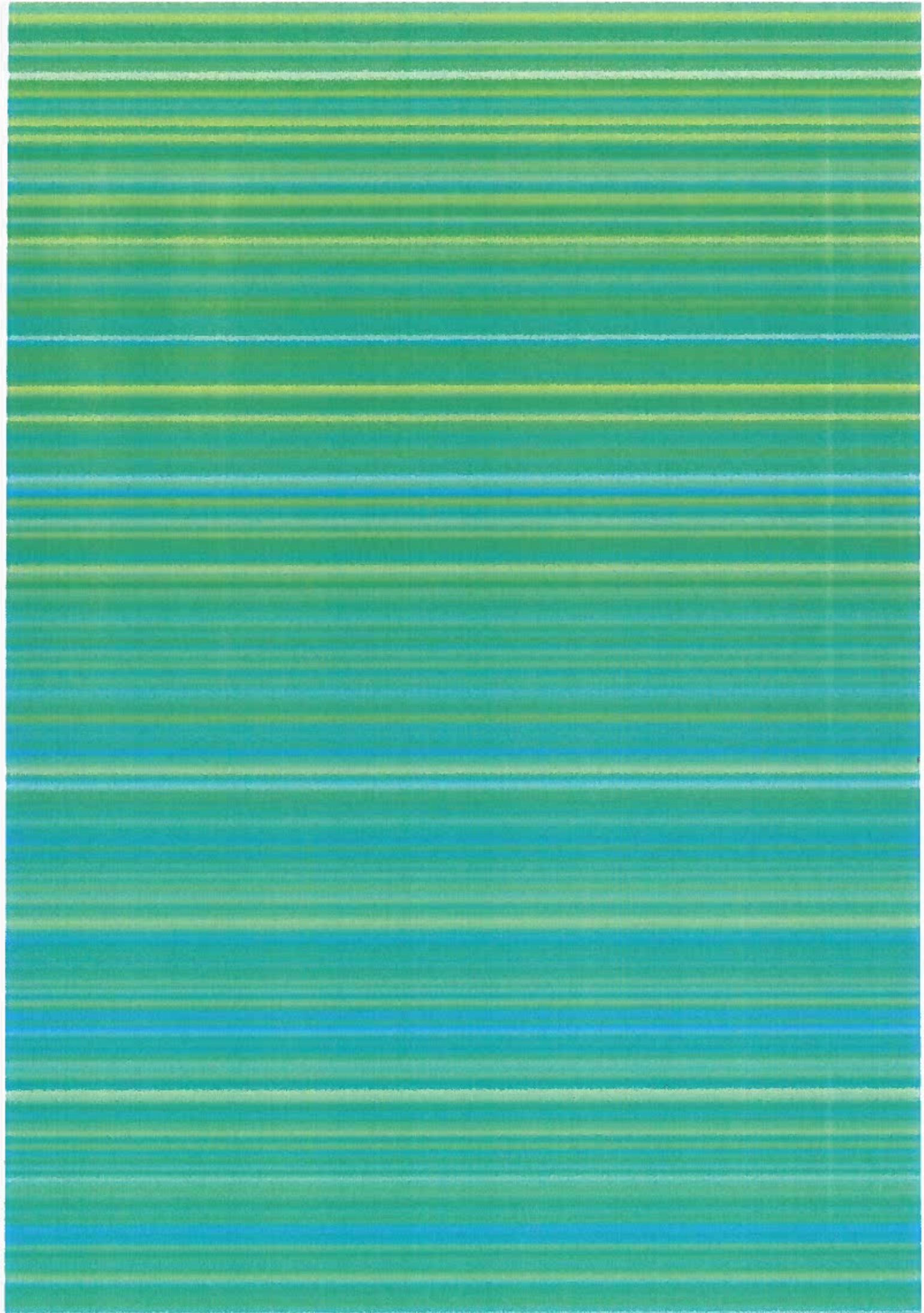
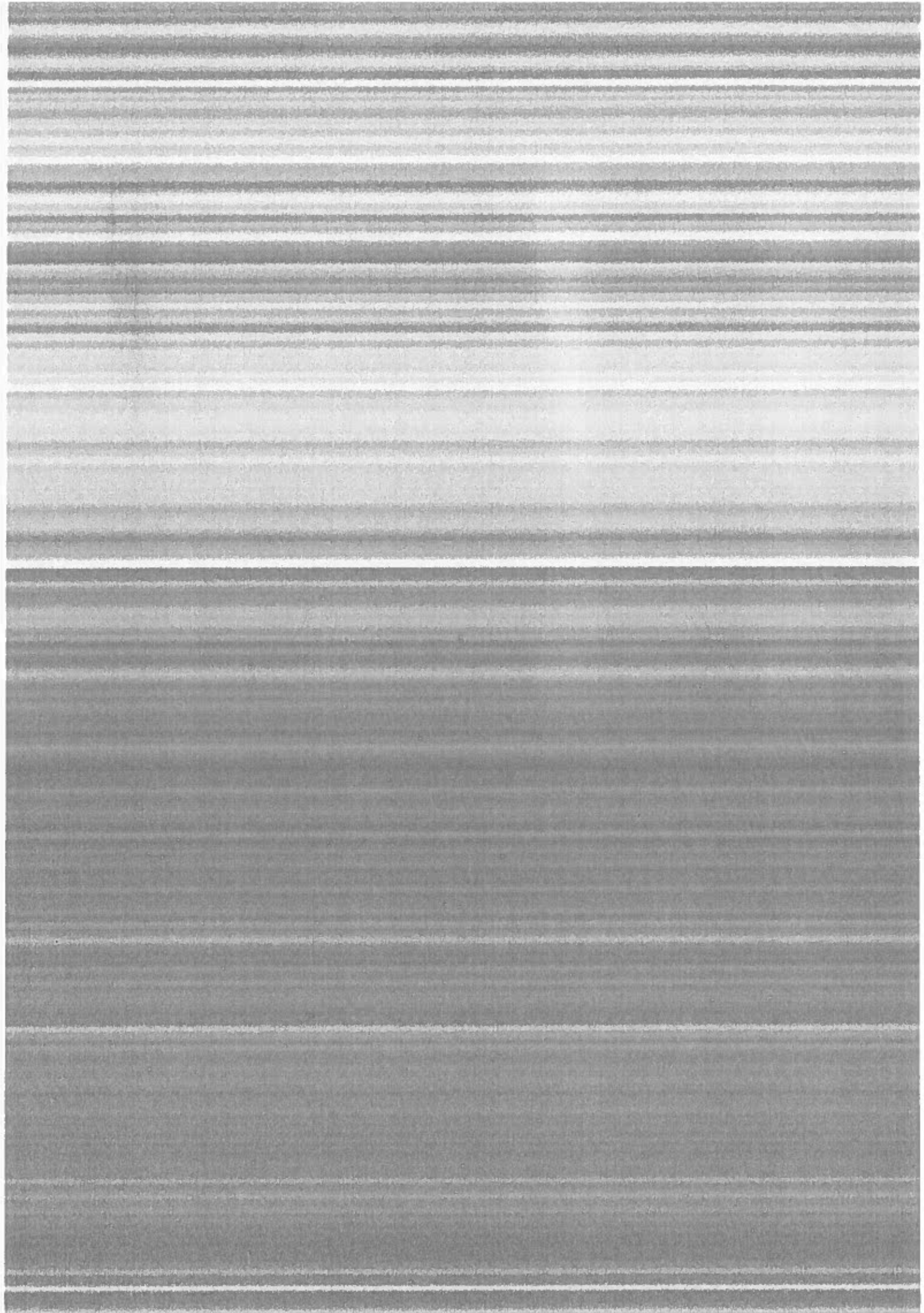


## Repeating Defects









# Liste over PostScript-fonte

## Interne fonte:

AlberusMT	ABCDEF abcdefg 0123456789 &?!\$.€
AlberusMT-Italic	ABCDEF abcdefg 0123456789 &?!\$.€
AlberusMT-Light	ABCDEF abcdefg 0123456789 &?!\$.€
AntiqueOlive-Bold	ABCDEF abcdefg 0123456789 &?!\$.€
AntiqueOlive-Compact	<b>ABCDEF abcdefg 0123456789 &amp;?!\$.€</b>
AntiqueOlive-Italic	ABCDEF abcdefg 0123456789 &?!\$.€
AntiqueOlive-Roman	ABCDEF abcdefg 0123456789 &?!\$.€
Apple-Chancery	ABCDEF abcdefg 0123456789 &?!\$.€
Arial-BoldItalicMT	<b>ABCDEF abcdefg 0123456789 &amp;?!\$.€</b>
Arial-BoldMT	<b>ABCDEF abcdefg 0123456789 &amp;?!\$.€</b>
Arial-ItalicMT	ABCDEF abcdefg 0123456789 &?!\$.€
ArialMT	ABCDEF abcdefg 0123456789 &?!\$.€
AvantGarde-Book	ABCDEF abcdefg 0123456789 &?!\$.€
AvantGarde-BookOblique	ABCDEF abcdefg 0123456789 &?!\$.€
AvantGarde-Demi	ABCDEF abcdefg 0123456789 &?!\$.€
AvantGarde-DemiOblique	<b>ABCDEF abcdefg 0123456789 &amp;?!\$.€</b>
Bodoni	ABCDEF abcdefg 0123456789 &?!\$.€
Bodoni-Bold	ABCDEF abcdefg 0123456789 &?!\$.€
Bodoni-BoldItalic	<b>ABCDEF abcdefg 0123456789 &amp;?!\$.€</b>
Bodoni-Italic	ABCDEF abcdefg 0123456789 &?!\$.€
Bodoni-Poster	<b>ABCDEF abcdefg 0123456789 &amp;?!\$.€</b>
Bodoni-PosterCompressed	ABCDEF abcdefg 0123456789 &?!\$.€
Bookman-Demi	<b>ABCDEF abcdefg 0123456789 &amp;?!\$.€</b>
Bookman-DemiItalic	<b>ABCDEF abcdefg 0123456789 &amp;?!\$.€</b>
Bookman-Light	ABCDEF abcdefg 0123456789 &?!\$.€
Bookman-LightItalic	ABCDEF abcdefg 0123456789 &?!\$.€
Carta	*!@#&^*~< >?&^*~< 0123456789 *!@#&^*~< >?&^*~<
Chicago	<b>ABCDEF abcdefg 0123456789 &amp;?!\$.€</b>
Clarendon	ABCDEF abcdefg 0123456789 &?!\$.€
Clarendon-Bold	<b>ABCDEF abcdefg 0123456789 &amp;?!\$.€</b>
Clarendon-Light	ABCDEF abcdefg 0123456789 &?!\$.€
CooperBlack	<b>ABCDEF abcdefg 0123456789 &amp;?!\$.€</b>
CooperBlack-Italic	<b>ABCDEF abcdefg 0123456789 &amp;?!\$.€</b>
Copperplate-ThirtyThreeBC	<b>ABCDEF ABCDEF 0123456789 &amp;?!\$.€</b>
Copperplate-ThirtyTwoBC	ABCDEF ABCDEF 0123456789 &?!\$.€
Coronet-Regular	ABCDEF abcdefg 0123456789 &?!\$.€
Courier	ABCDEF abcdefg 0123456789 &?!\$.€
Courier-Bold	<b>ABCDEF abcdefg 0123456789 &amp;?!\$.€</b>
Courier-BoldOblique	<b>ABCDEF abcdefg 0123456789 &amp;?!\$.€</b>
Courier-Oblique	ABCDEF abcdefg 0123456789 &?!\$.€
Eurostile	ABCDEF abcdefg 0123456789 &?!\$.€
Eurostile-Bold	<b>ABCDEF abcdefg 0123456789 &amp;?!\$.€</b>
Eurostile-BoldExtendedTwo	<b>ABCDEF abcdefg 0123456789 &amp;?!\$.€</b>
Eurostile-ExtendedTwo	ABCDEF abcdefg 0123456789 &?!\$.€
Geneva	ABCDEF abcdefg 0123456789 &?!\$.€
GillSans	ABCDEF abcdefg 0123456789 &?!\$.€
GillSans-Bold	<b>ABCDEF abcdefg 0123456789 &amp;?!\$.€</b>
GillSans-BoldCondensed	<b>ABCDEF abcdefg 0123456789 &amp;?!\$.€</b>
GillSans-BoldItalic	<b>ABCDEF abcdefg 0123456789 &amp;?!\$.€</b>
GillSans-Condensed	ABCDEF abcdefg 0123456789 &?!\$.€
GillSans-ExtraBold	<b>ABCDEF abcdefg 0123456789 &amp;?!\$.€</b>
GillSans-Italic	ABCDEF abcdefg 0123456789 &?!\$.€
GillSans-Light	ABCDEF abcdefg 0123456789 &?!\$.€
GillSans-LightItalic	ABCDEF abcdefg 0123456789 &?!\$.€
Goudy	ABCDEF abcdefg 0123456789 &?!\$.€
Goudy-Bold	<b>ABCDEF abcdefg 0123456789 &amp;?!\$.€</b>
Goudy-BoldItalic	<b>ABCDEF abcdefg 0123456789 &amp;?!\$.€</b>
Goudy-ExtraBold	<b>ABCDEF abcdefg 0123456789 &amp;?!\$.€</b>
Goudy-Italic	ABCDEF abcdefg 0123456789 &?!\$.€
GreekMono737	ABCDEF abcdefg 0123456789 &?!\$.€
GreekMono737-Bold	<b>ABCDEF abcdefg 0123456789 &amp;?!\$.€</b>
GreekMono737-BoldItalic	<b>ABCDEF abcdefg 0123456789 &amp;?!\$.€</b>
GreekMono737-Italic	ABCDEF abcdefg 0123456789 &?!\$.€
GreekMono851	ABCDEF abcdefg 0123456789 &?!\$.€
GreekMono851-Bold	<b>ABCDEF abcdefg 0123456789 &amp;?!\$.€</b>
GreekMono851-BoldItalic	<b>ABCDEF abcdefg 0123456789 &amp;?!\$.€</b>
GreekMono851-Italic	ABCDEF abcdefg 0123456789 &?!\$.€
GreekMono8859-7	ABCDEF abcdefg 0123456789 &?!\$.€
GreekMono8859-7Bold	<b>ABCDEF abcdefg 0123456789 &amp;?!\$.€</b>

# Liste over PostScript-fonte

## Interne fonte (fortsat):

GreekMono8859-7Bold	ABCDEF abcdefg 0123456789 &?!\$
GreekMono8859-7Italic	ABCDEF abcdefg 0123456789 &?!\$
GreekSans737	ABCDEF abcdefg 0123456789 &?!\$
GreekSans737-BoldItalic	ABCDEF abcdefg 0123456789 &?!\$
GreekSans737-Italic	ABCDEF abcdefg 0123456789 &?!\$
GreekSans851	ABCDEF abcdefg 0123456789 &?!\$
GreekSans851-Bold	ABCDEF abcdefg 0123456789 &?!\$
GreekSans851-BoldItalic	ABCDEF abcdefg 0123456789 &?!\$
GreekSans851-Italic	ABCDEF abcdefg 0123456789 &?!\$
GreekSans8859-7	ABCDEF abcdefg 0123456789 &?!\$
GreekSans8859-7Bold	ABCDEF abcdefg 0123456789 &?!\$
GreekSans8859-7BoldItalic	ABCDEF abcdefg 0123456789 &?!\$
GreekSans8859-7Italic	ABCDEF abcdefg 0123456789 &?!\$
GreekSerif737	ABCDEF abcdefg 0123456789 &?!\$
GreekSerif737-BoldItalic	ABCDEF abcdefg 0123456789 &?!\$
GreekSerif737-Italic	ABCDEF abcdefg 0123456789 &?!\$
GreekSerif851	ABCDEF abcdefg 0123456789 &?!\$
GreekSerif851-Bold	ABCDEF abcdefg 0123456789 &?!\$
GreekSerif851-BoldItalic	ABCDEF abcdefg 0123456789 &?!\$
GreekSerif851-Italic	ABCDEF abcdefg 0123456789 &?!\$
GreekSerif8859-7	ABCDEF abcdefg 0123456789 &?!\$
GreekSerif8859-7Bold	ABCDEF abcdefg 0123456789 &?!\$
GreekSerif8859-7BoldItalic	ABCDEF abcdefg 0123456789 &?!\$
GreekSerif8859-7Italic	ABCDEF abcdefg 0123456789 &?!\$
Helvetica	ABCDEF abcdefg 0123456789 &?!\$.€
Helvetica-Bold	ABCDEF abcdefg 0123456789 &?!\$.€
Helvetica-BoldOblique	ABCDEF abcdefg 0123456789 &?!\$.€
Helvetica-Condensed	ABCDEF abcdefg 0123456789 &?!\$.€
Helvetica-Condensed-Bold	ABCDEF abcdefg 0123456789 &?!\$.€
Helvetica-Condensed-BoldOblique	ABCDEF abcdefg 0123456789 &?!\$.€
Helvetica-Condensed-Oblique	ABCDEF abcdefg 0123456789 &?!\$.€
Helvetica-Narrow	ABCDEF abcdefg 0123456789 &?!\$.€
Helvetica-Narrow-Bold	ABCDEF abcdefg 0123456789 &?!\$.€
Helvetica-Narrow-BoldOblique	ABCDEF abcdefg 0123456789 &?!\$.€
Helvetica-Narrow-Oblique	ABCDEF abcdefg 0123456789 &?!\$.€
Helvetica-Oblique	ABCDEF abcdefg 0123456789 &?!\$.€
HoeflerText-Black	ABCDEF abcdefg 0123456789 &?!\$.€
HoeflerText-BlackItalic	ABCDEF abcdefg 0123456789 &?!\$.€
HoeflerText-Italic	ABCDEF abcdefg 0123456789 &?!\$.€
HoeflerText-Ornaments	ABCDEF abcdefg 0123456789 &?!\$.€
HoeflerText-Regular	ABCDEF abcdefg 0123456789 &?!\$.€
JoannaMT	ABCDEF abcdefg 0123456789 &?!\$.€
JoannaMT-Bold	ABCDEF abcdefg 0123456789 &?!\$.€
JoannaMT-BoldItalic	ABCDEF abcdefg 0123456789 &?!\$.€
JoannaMT-Italic	ABCDEF abcdefg 0123456789 &?!\$.€
LetterGothic	ABCDEF abcdefg 0123456789 &?!\$.€
LetterGothic-Bold	ABCDEF abcdefg 0123456789 &?!\$.€
LetterGothic-BoldSlanted	ABCDEF abcdefg 0123456789 &?!\$.€
LetterGothic-Slanted	ABCDEF abcdefg 0123456789 &?!\$.€
LubalinGraph-Book	ABCDEF abcdefg 0123456789 &?!\$.€
LubalinGraph-BookOblique	ABCDEF abcdefg 0123456789 &?!\$.€
LubalinGraph-Demi	ABCDEF abcdefg 0123456789 &?!\$.€
LubalinGraph-DemiOblique	ABCDEF abcdefg 0123456789 &?!\$.€
Marigold	ABCDEF abcdefg 0123456789 &?!\$.€
MonaLisa-Recut	ABCDEF abcdefg 0123456789 &?!\$.€
Monaco	ABCDEF abcdefg 0123456789 &?!\$.€
NewCenturySchlbk-Bold	ABCDEF abcdefg 0123456789 &?!\$.€
NewCenturySchlbk-BoldItalic	ABCDEF abcdefg 0123456789 &?!\$.€
NewCenturySchlbk-Italic	ABCDEF abcdefg 0123456789 &?!\$.€
NewCenturySchlbk-Roman	ABCDEF abcdefg 0123456789 &?!\$.€
NewYork	ABCDEF abcdefg 0123456789 &?!\$.€
Optima	ABCDEF abcdefg 0123456789 &?!\$.€
Optima-Bold	ABCDEF abcdefg 0123456789 &?!\$.€
Optima-BoldItalic	ABCDEF abcdefg 0123456789 &?!\$.€
Optima-Italic	ABCDEF abcdefg 0123456789 &?!\$.€
Oxford	ABCDEF abcdefg 0123456789 &?!\$.€
Palatino-Bold	ABCDEF abcdefg 0123456789 &?!\$.€



## Osnovni fontovi

Položaj	Naziv fonta	Ispis uzorka
1	Courier «Esc»(Symbol set«Esc»(s0p«pitch»h0s0b4099T	'ABCDEFgabcdeFG0123456789&?!.,'
2	CG Times «Esc»(Symbol set«Esc»(s1p«size»v0s0b4101T	'ABCDEFgabcdeFG0123456789&?!.,'
3	CG Times Bold «Esc»(Symbol set«Esc»(s1p«size»v0s3b4101T	'ABCDEFgabcdeFG0123456789&?!.,'
4	CG Times Italic «Esc»(Symbol set«Esc»(s1p«size»v1s0b4101T	'ABCDEFgabcdeFG0123456789&?!.,'
5	CG Times Bold Italic «Esc»(Symbol set«Esc»(s1p«size»v1s3b4101T	'ABCDEFgabcdeFG0123456789&?!.,'
6	CG Omega «Esc»(Symbol set«Esc»(s1p«size»v0s0b4113T	'ABCDEFgabcdeFG0123456789&?!.,'
7	CG Omega Bold «Esc»(Symbol set«Esc»(s1p«size»v0s3b4113T	'ABCDEFgabcdeFG0123456789&?!.,'
8	CG Omega Italic «Esc»(Symbol set«Esc»(s1p«size»v1s0b4113T	'ABCDEFgabcdeFG0123456789&?!.,'
9	CG Omega Bold Italic «Esc»(Symbol set«Esc»(s1p«size»v1s3b4113T	'ABCDEFgabcdeFG0123456789&?!.,'
10	Coronet «Esc»(Symbol set«Esc»(s1p«size»v1s0b4116T	'ABCDEFgabcdeFG0123456789&?!.,'
11	Clarendon Condensed «Esc»(Symbol set«Esc»(s1p«size»v4s3b4140T	'ABCDEFgabcdeFG0123456789&?!.,'
12	Univers Medium «Esc»(Symbol set«Esc»(s1p«size»v0s0b4148T	'ABCDEFgabcdeFG0123456789&?!.,'
13	Univers Bold «Esc»(Symbol set«Esc»(s1p«size»v0s3b4148T	'ABCDEFgabcdeFG0123456789&?!.,'
14	Univers Medium Italic «Esc»(Symbol set«Esc»(s1p«size»v1s0b4148T	'ABCDEFgabcdeFG0123456789&?!.,'
15	Univers Bold Italic «Esc»(Symbol set«Esc»(s1p«size»v1s3b4148T	'ABCDEFgabcdeFG0123456789&?!.,'
16	Univers Medium Condensed «Esc»(Symbol set«Esc»(s1p«size»v4s0b4148T	'ABCDEFgabcdeFG0123456789&?!.,'
17	Univers Bold Condensed «Esc»(Symbol set«Esc»(s1p«size»v4s3b4148T	'ABCDEFgabcdeFG0123456789&?!.,'
18	Univers Medium Condensed Italic «Esc»(Symbol set«Esc»(s1p«size»v5s0b4148T	'ABCDEFgabcdeFG0123456789&?!.,'

## Osnovni fontovi

Redni broj	Naziv fonta	Ispis uzorka
19	Antique Olive «Esc»(Symbol set«Esc»(s1p«size»v0s0b4168T	'ABCDEFgabcdefg0123456789&?!.'
20	Antique Olive «Esc»(Symbol set«Esc»(s1p«size»v0s0b4168T	ABCDEFgabcdefg0123456789&?!..
21	Antique Olive Bold «Esc»(Symbol set«Esc»(s1p«size»v0s3b4168T	'ABCDEFgabcdefg0123456789&?!.'
22	Antique Olive Italic «Esc»(Symbol set«Esc»(s1b«size»v1s0b4168T	'ABCDEFgabcdefg0123456789&?!.'
23	Garamond Antiqua «Esc»(Symbol set«Esc»(s1b«size»v0s0b4197T	'ABCDEFgabcdefg0123456789&?!.'
24	Garamond Halbfett «Esc»(Symbol set«Esc»(s1b«size»v0s3b4197T	'ABCDEFgabcdefg0123456789&?!.'
25	Garamond Kursiv «Esc»(Symbol set«Esc»(s1p«size»v1s0b4197T	'ABCDEFgabcdefg0123456789&?!.'
26	Garamond Kursiv Halbfett «Esc»(Symbol set«Esc»(s1p«size»v1s3b4197T	'ABCDEFgabcdefg0123456789&?!.'
27	Marigold «Esc»(Symbol set«Esc»(s1p«size»v0s0b4297T	'ABCDEFgabcdefg0123456789&?!.'
28	Albertus Medium «Esc»(Symbol set«Esc»(s1p«size»v0s1b4362T	'ABCDEFgabcdefg0123456789&?!.'
29	Albertus Extra Bold «Esc»(Symbol set«Esc»(s1p«size»v0s4b4362T	'ABCDEFgabcdefg0123456789&?!.'
30	Ryadh «Esc»(Symbol set«Esc»(s1p«size»v0s0b4859T	ABCDEFgabcdefg0123456789&?!..
31	Ryadh Bold «Esc»(Symbol set«Esc»(s1p«size»v0s3b4859T	ABCDEFgabcdefg0123456789&?!..
32	Malka «Esc»(Symbol set«Esc»(s1p«size»v0s0b16584T	ABCDEFgabcdefg0123456789&?!.'
33	Malka Bold «Esc»(Symbol set«Esc»(s1p«size»v0s3b16584T	ABCDEFgabcdefg0123456789&?!.'
34	Malka Italic «Esc»(Symbol set«Esc»(s1p«size»v1s0b16584T	ABCDEFgabcdefg0123456789&?!.'
35	Dorit «Esc»(Symbol set«Esc»(s1p«size»v0s0b16585T	ABCDEFgabcdefg0123456789&?!.'
36	Dorit Bold «Esc»(Symbol set«Esc»(s1p«size»v0s3b16585T	ABCDEFgabcdefg0123456789&?!.'

## Osnovni fontovi

Položaj	Naziv fonta	Ispis uzorka
37	Naamit «Esc»(Symbol set«Esc»(s1p«size»v0s0b16597T	ABCDEFGabcdefg0123456789&?!.,'
38	Naamit Bold «Esc»(Symbol set«Esc»(s1p«size»v0s3b16587T	ABCDEFGabcdefg0123456789&?!.,'
39	Arial «Esc»(Symbol set«Esc»(s1p«size»v0s0b16602T	'ABCDEFGabcdefg0123456789&?!.,'
40	Arial Bold «Esc»(Symbol set«Esc»(s1p«size»v0s3b16602T	'ABCDEFGabcdefg0123456789&?!.,'
41	Arial Italic «Esc»(Symbol set«Esc»(s1p«size»v1s0b16602T	'ABCDEFGabcdefg0123456789&?!.,'
42	Arial Bold Italic «Esc»(Symbol set«Esc»(s1p«size»v1s3b16602T	'ABCDEFGabcdefg0123456789&?!.,'
43	Times New Roman «Esc»(Symbol set«Esc»(s1p«size»v0s0b16901T	'ABCDEFGabcdefg0123456789&?!.,'
44	Times New Roman Bold «Esc»(Symbol set«Esc»(s1p«size»v0s3b16901T	'ABCDEFGabcdefg0123456789&?!.,'
45	Times New Roman Italic «Esc»(Symbol set«Esc»(s1p«size»v1s0b16901T	'ABCDEFGabcdefg0123456789&?!.,'
46	Times New Roman Bold Italic «Esc»(Symbol set«Esc»(s1p«size»v1s3b16901T	'ABCDEFGabcdefg0123456789&?!.,'
47	Helvetica «Esc»(Symbol set«Esc»(s1p«size»v0s0b24580T	'ABCDEFGabcdefg0123456789&?!.,'
48	Helvetica Bold «Esc»(Symbol set«Esc»(s1p«size»v0s3b24580T	'ABCDEFGabcdefg0123456789&?!.,'
49	Helvetica Oblique «Esc»(Symbol set«Esc»(s1p«size»v1s0b24580T	'ABCDEFGabcdefg0123456789&?!.,'
50	Helvetica Bold Oblique «Esc»(Symbol set«Esc»(s1p«size»v1s3b24580T	'ABCDEFGabcdefg0123456789&?!.,'
51	Helvetica Narrow «Esc»(Symbol set«Esc»(s1p«size»v4s0b24580T	'ABCDEFGabcdefg0123456789&?!.,'
52	Helvetica Narrow Bold «Esc»(Symbol set«Esc»(s1p«size»v4s3b24580T	'ABCDEFGabcdefg0123456789&?!.,'
53	Helvetica Narrow Oblique «Esc»(Symbol set«Esc»(s1p«size»v5s0b24580T	'ABCDEFGabcdefg0123456789&?!.,'
54	Helvetica Narrow Bold Oblique «Esc»(Symbol set«Esc»(s1p«size»v5s3b24580T	'ABCDEFGabcdefg0123456789&?!.,'

## Osnovni fontovi

Redni broj	Naziv fonta	Ispis uzorka
55	Palatino Roman «Esc»(Symbol set«Esc»(s1p«size»v0s3b24591T	'ABCDEFGabcde f g 0123456789&?!..'
56	Palatino Bold «Esc»(Symbol set«Esc»(s1p«size»v0s3b24591T	'ABCDEFGabcde f g 0123456789&?!..'
57	Palatino Italic «Esc»(Symbol set«Esc»(s1p«size»v1s0b24591T	'ABCDEFGabcde f g 0123456789&?!..'
58	Palatino Bold Italic «Esc»(Symbol set«Esc»(s1p«size»v1s3b24591T	'ABCDEFGabcde f g 0123456789&?!..'
59	ITC Avant Garde Book «Esc»(Symbol set«Esc»(s1p«size»v0s0b24607T	'ABCDEFGabcde f g 0123456789&?!..'
60	ITC Avant Garde DemiBold «Esc»(Symbol set«Esc»(s1p«size»v0s2b24607T	'ABCDEFGabcde f g 0123456789&?!..'
61	ITC Avant Garde Book Oblique «Esc»(Symbol set«Esc»(s1p«size»v1s0b24607T	'ABCDEFGabcde f g 0123456789&?!..'
62	ITC Avant Garde DemiBold Oblique «Esc»(Symbol set«Esc»(s1p«size»v1s2b24607T	'ABCDEFGabcde f g 0123456789&?!..'
63	ITC Bookman Light «Esc»(Symbol set«Esc»(s1p«size»v0s-3b24623T	'ABCDEFGabcde f g 0123456789&?!..'
64	ITC Bookman DemiBold «Esc»(Symbol set«Esc»(s1p«size»v0s2b24623T	'ABCDEFGabcde f g 0123456789&?!..'
65	ITC Bookman Light Italic «Esc»(Symbol set«Esc»(s1p«size»v1s-3b24623T	'ABCDEFGabcde f g 0123456789&?!..'
66	ITC Bookman DemiBold Italic «Esc»(Symbol set«Esc»(s1p«size»v1s2b24623T	'ABCDEFGabcde f g 0123456789&?!..'
67	New Century Schoolbook Roman «Esc»(Symbol set«Esc»(s1p«size»v0s0b24703T	'ABCDEFGabcde f g 0123456789&?!..'
68	New Century Schoolbook Bold «Esc»(Symbol set«Esc»(s1p«size»v0s3b24703T	'ABCDEFGabcde f g 0123456789&?!..'
69	New Century Schoolbook Italic «Esc»(Symbol set«Esc»(s1p«size»v1s0b24703T	'ABCDEFGabcde f g 0123456789&?!..'
70	New Century Schoolbook Bold Ital «Esc»(Symbol set«Esc»(s1p«size»v1s3b24703T	'ABCDEFGabcde f g 0123456789&?!..'
71	Times Roman «Esc»(Symbol set«Esc»(s1p«size»v0s0b25093T	'ABCDEFGabcde f g 0123456789&?!..'
72	Times Roman Bold «Esc»(Symbol set«Esc»(s1p«size»v0s3b25093T	'ABCDEFGabcde f g 0123456789&?!..'



Osnovni fontovi

Redni broj	Naziv fonta	Ispis uzorka
92	Courier PS Bold «Esc»(Symbol set«Esc»(s0p«pitch»h1s0b24579T	'ABCDEFGGabcdefg0123456789&?!.,'
93	Courier PS Bold Oblique «Esc»(Symbol set«Esc»(s0p«pitch»h1s3b24579T	'ABCDEFGGabcdefg0123456789&?!.,'
93	Line Printer «Esc»(8U«Esc»(s0p16 67h8,48v0s0b0T	'ABCDEFGGabcdefg0123456789&?!.,'



# PostScript-fontlijst

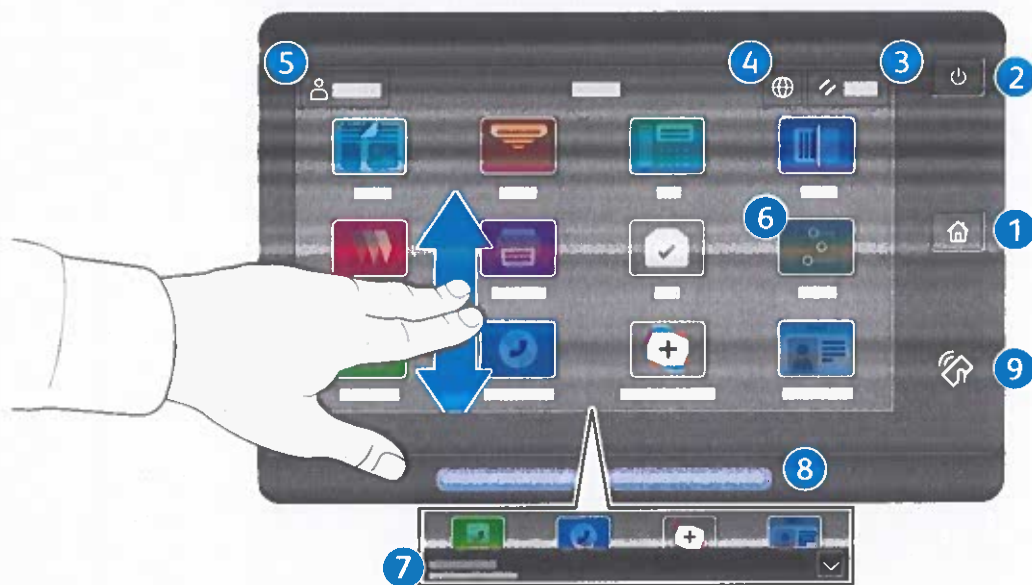
## Interne fonts (vervolg):

GreekMono859-7Regular	ABCDEF G abcdefg 0123456789 &?!\$
GreekMono859-7Italic	ABCDEF G abcdefg 0123456789 &?!\$
GreekSans737	ABCDEF G abcdefg 0123456789 &?!\$
GreekSans737-Bold	ABCDEF G abcdefg 0123456789 &?!\$
GreekSans737-BoldItalic	ABCDEF G abcdefg 0123456789 &?!\$
GreekSans737-Italic	ABCDEF G abcdefg 0123456789 &?!\$
GreekSans851	ABCDEF G abcdefg 0123456789 &?!\$
GreekSans851-Bold	ABCDEF G abcdefg 0123456789 &?!\$
GreekSans851-BoldItalic	ABCDEF G abcdefg 0123456789 &?!\$
GreekSans851-Italic	ABCDEF G abcdefg 0123456789 &?!\$
GreekSans8859-7	ABCDEF G abcdefg 0123456789 &?!\$
GreekSans8859-7Bold	ABCDEF G abcdefg 0123456789 &?!\$
GreekSans8859-7BoldItalic	ABCDEF G abcdefg 0123456789 &?!\$
GreekSans8859-7Italic	ABCDEF G abcdefg 0123456789 &?!\$
GreekSerif737	ABCDEF G abcdefg 0123456789 &?!\$
GreekSerif737-Bold	ABCDEF G abcdefg 0123456789 &?!\$
GreekSerif737-BoldItalic	ABCDEF G abcdefg 0123456789 &?!\$
GreekSerif737-Italic	ABCDEF G abcdefg 0123456789 &?!\$
GreekSerif851	ABCDEF G abcdefg 0123456789 &?!\$
GreekSerif851-Bold	ABCDEF G abcdefg 0123456789 &?!\$
GreekSerif851-BoldItalic	ABCDEF G abcdefg 0123456789 &?!\$
GreekSerif851-Italic	ABCDEF G abcdefg 0123456789 &?!\$
GreekSerif8859-7	ABCDEF G abcdefg 0123456789 &?!\$
GreekSerif8859-7Bold	ABCDEF G abcdefg 0123456789 &?!\$
GreekSerif8859-7BoldItalic	ABCDEF G abcdefg 0123456789 &?!\$
GreekSerif8859-7Italic	ABCDEF G abcdefg 0123456789 &?!\$
Helvetica	ABCDEF G abcdefg 0123456789 &?!\$
Helvetica-Bold	ABCDEF G abcdefg 0123456789 &?!\$
Helvetica-BoldOblique	ABCDEF G abcdefg 0123456789 &?!\$
Helvetica-Condensed	ABCDEF G abcdefg 0123456789 &?!\$
Helvetica-Condensed-Bold	ABCDEF G abcdefg 0123456789 &?!\$
Helvetica-Condensed-BoldOblique	ABCDEF G abcdefg 0123456789 &?!\$
Helvetica-Condensed-Oblique	ABCDEF G abcdefg 0123456789 &?!\$
Helvetica-Narrow	ABCDEF G abcdefg 0123456789 &?!\$
Helvetica-Narrow-Bold	ABCDEF G abcdefg 0123456789 &?!\$
Helvetica-Narrow-BoldOblique	ABCDEF G abcdefg 0123456789 &?!\$
Helvetica-Narrow-Oblique	ABCDEF G abcdefg 0123456789 &?!\$
Helvetica-Oblique	ABCDEF G abcdefg 0123456789 &?!\$
HoeflerText-Black	ABCDEF G abcdefg 0123456789 &?!\$
HoeflerText-BlackItalic	ABCDEF G abcdefg 0123456789 &?!\$
HoeflerText-Italic	ABCDEF G abcdefg 0123456789 &?!\$
HoeflerText-Ornaments	ABCDEF G abcdefg 0123456789 &?!\$
HoeflerText-Regular	ABCDEF G abcdefg 0123456789 &?!\$
JoannaMT	ABCDEF G abcdefg 0123456789 &?!\$
JoannaMT-Bold	ABCDEF G abcdefg 0123456789 &?!\$
JoannaMT-BoldItalic	ABCDEF G abcdefg 0123456789 &?!\$
JoannaMT-Italic	ABCDEF G abcdefg 0123456789 &?!\$
LetterGothic	ABCDEF G abcdefg 0123456789 &?!\$
LetterGothic-Bold	ABCDEF G abcdefg 0123456789 &?!\$
LetterGothic-BoldSlanted	ABCDEF G abcdefg 0123456789 &?!\$
LetterGothic-Slanted	ABCDEF G abcdefg 0123456789 &?!\$
LubalinGraph-Book	ABCDEF G abcdefg 0123456789 &?!\$
LubalinGraph-BookOblique	ABCDEF G abcdefg 0123456789 &?!\$
LubalinGraph-Demi	ABCDEF G abcdefg 0123456789 &?!\$
LubalinGraph-DemiOblique	ABCDEF G abcdefg 0123456789 &?!\$
Marigold	ABCDEF G abcdefg 0123456789 &?!\$
MonaLisa-Recut	ABCDEF G abcdefg 0123456789 &?!\$
Monaco	ABCDEF G abcdefg 0123456789 &?!\$
NewCenturySchlbk-Bold	ABCDEF G abcdefg 0123456789 &?!\$
NewCenturySchlbk-BoldItalic	ABCDEF G abcdefg 0123456789 &?!\$
NewCenturySchlbk-Italic	ABCDEF G abcdefg 0123456789 &?!\$
NewCenturySchlbk-Roman	ABCDEF G abcdefg 0123456789 &?!\$
NewYork	ABCDEF G abcdefg 0123456789 &?!\$
Optima	ABCDEF G abcdefg 0123456789 &?!\$
Optima-Bold	ABCDEF G abcdefg 0123456789 &?!\$
Optima-BoldItalic	ABCDEF G abcdefg 0123456789 &?!\$
Optima-Italic	ABCDEF G abcdefg 0123456789 &?!\$
Oxford	ABCDEF G abcdefg 0123456789 &?!\$
Palatino-Bold	ABCDEF G abcdefg 0123456789 &?!\$



## Betjeningspanel

Tilgængelige apps kan variere afhængig af printerens konfiguration. Se *betjeningsvejledningen* for udførlige oplysninger om apps og funktioner.



- 1 **Hjem** går tilbage til startskærmen for apps.
- 2 **Tænd/aktivering** starter printeren eller giver mulighed for at vælge dvaletilstand, genstart eller nedlukning af printeren.
- 3 **Nulstil** gendanner indstillingerne til deres standardværdier i alle apps.
- 4 **Sprog** giver muligheder for valg af skærmsprog.
- 5 **Log på** giver speciel adgang til værktøjer og indstillinger.
- 6 **Appen Enhed** giver adgang til printeroplysninger og -indstillinger.
- 7 **Meddelelsesbanner** viser printerstatus og advarsler. Tryk på banneret for at se alle meddelelser. Tryk på pil ned for at lukke banneret.
- 8 **Statuslysdioder** angiver printerens status. Se *betjeningsvejledningen* for udførlige oplysninger.
- 9 **NFC-område** gør det muligt at parre maskinen med en mobilenhed for at udskrive eller scanne fra en app.

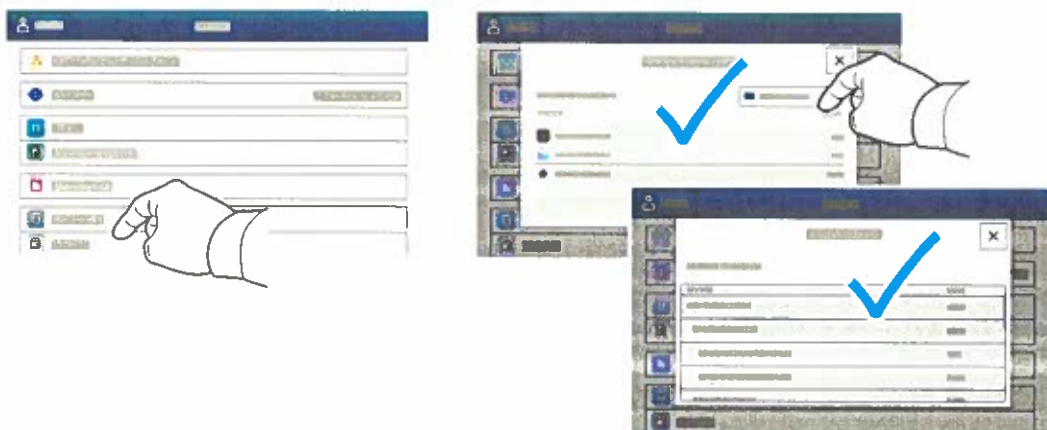
## Appen Enhed

Appen Enhed giver adgang til oplysninger om forbrugsstoffer, printeren og indstillinger. Visse menuer og indstillinger kræver, at der logges på med administratornavn og adgangskode.



## Oplysninger om kontering og anvendelse

Hvis du vil se en oversigt over tælling skal du trykke på **Kontering/anvendelse** i menuen Enhed. Tryk på **Konteringstællere** for at se detaljerede konteringsoplysninger. Listen indeholder detaljerede kategorier for tryktælling.



## Indbygget webserver

Med den indbyggede Xerox® webserver er der adgang til oplysninger om printerkonfigurationen, papir- og forbrugsstofstatus, opgavestatus og diagnosefunktioner på et netværk. Kan også anvendes til administration af faxnumre, e-mailadresser og adressebøger.

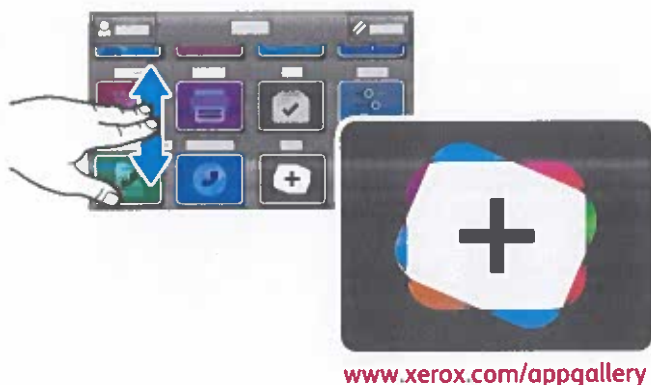
Opret forbindelse ved at indtaste printerens IP-adresse i en browser. Netværkets IPv4-adresse står på betjeningspanelet/berøringsskærmen. Tryk på app'en **Enhed** > **Om**, og rul ned.

Se *betjeningsvejledningen* på Xerox.com for oplysninger om den indbyggede webserver.



## App Gallery

Xerox app galleriet har en voksende samling af produktivitetsapps, som du kan installere på din printer. Find app'en på din startskærm og opret din login direkte, eller gå til [www.xerox.com/appgallery](http://www.xerox.com/appgallery) for at logge på og tilføje din enhed. For at forenkle app installation skal du bruge det samme navn for dine app-galleri loginoplysninger, som du brugte til at logge på printeren.



## Oversigt over printer

Der kan allerede være installeret tilbehør på din printer. Se *betjeningsvejledningen* for udførlige oplysninger.

Automatisk 2-sidet dokumentfremfører med en arbejdsgang (DADF)

USB-port

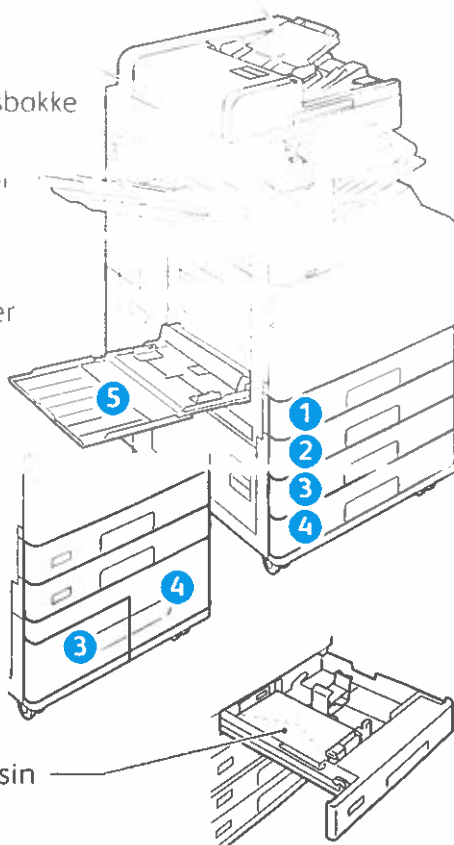
Venstre udfaldsbakke

Nærmhedsensor

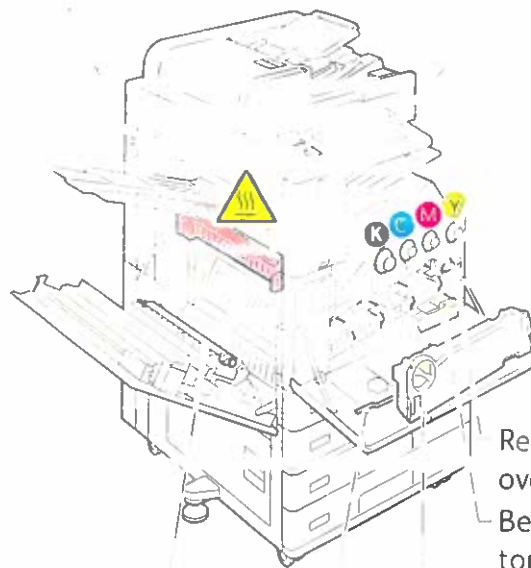
Udfaldsbakker

Papirmagasiner

Konvolutmagasin



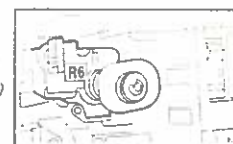
Blæsefilter (C8270)



Fusermodul

Tonerpatroner

Valsemoduler

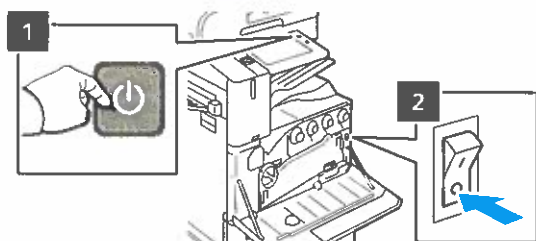


Renseenhed til  
overførselsbælte  
Beholder til brugt  
toner

Lås til transport af affald

Renseenhed til LED-printhoved

Overførselsrulle



Hvis du ønsker at genstarte printeren, skal du trykke på den sekundære afbryderknop (1) på betjeningspanelet.

Hvis du ønsker at slukke helt for printeren, skal du trykke på den sekundære afbryderknop (1). Bag frontlågen skal du trykke på hovedafbryderen (2).

Hvis du ønsker at vælge dvaletilstand, skal du trykke på den sekundære afbryderknop (1). Foretag det ønskede valg på printerens berøringsskærm.

## Papirhåndtering

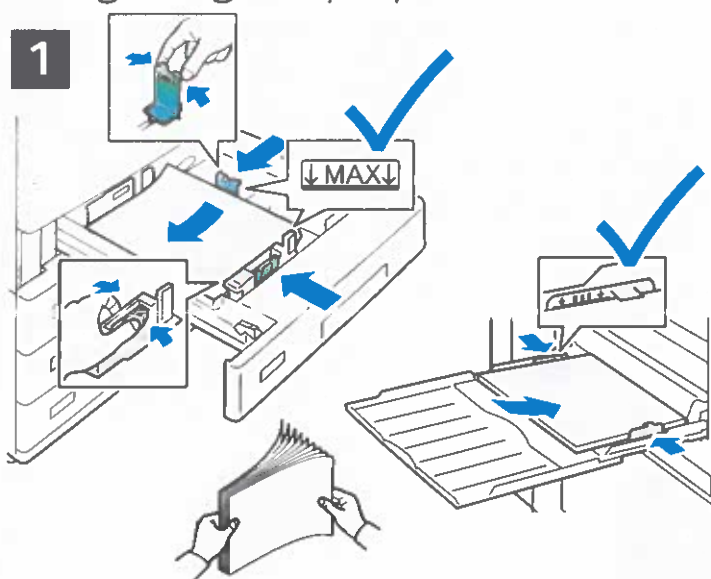
Hvis du ønsker at se en liste over de papirer, der kan anvendes i printeren, skal du gå til oversigten over anbefalede medier på:

[www.xerox.com/rmlna](http://www.xerox.com/rmlna) (USA og Canada)

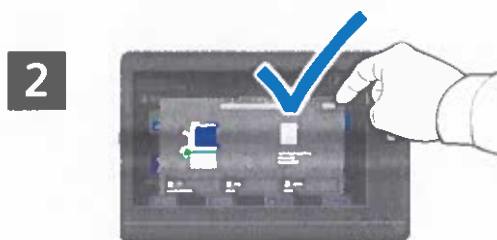
[www.xerox.com/rmleu](http://www.xerox.com/rmleu) (Europa)

Se betjeningsvejledningen for udførlige oplysninger om magasiner og papir.

## Ilægning af papir



Luft papirarkene langs kanten, så de ikke hænger sammen. Juster papirstyrene efter papirformatet. Ilæg ikke papir over maksimumlinjen i magasinet.

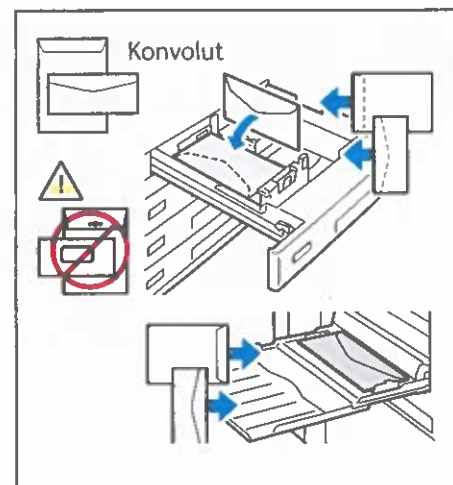
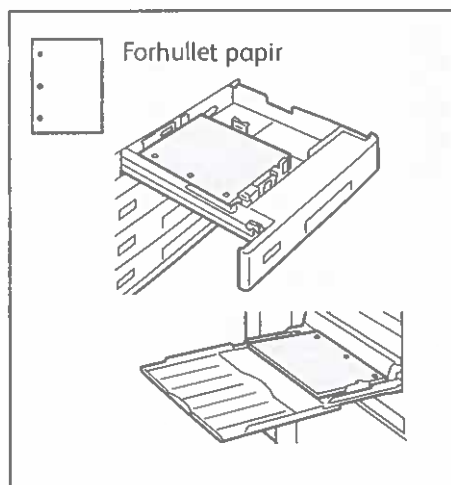
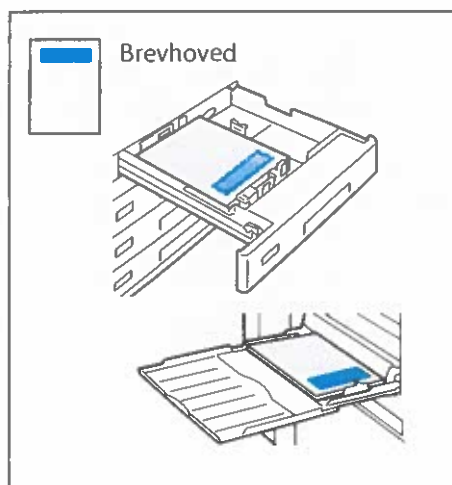


Bekræft eller rediger evt. indstillinger for format og type.



Vælg indstillinger i printerdriveren ved udskrivning.

## Papirretning



# Kopiering

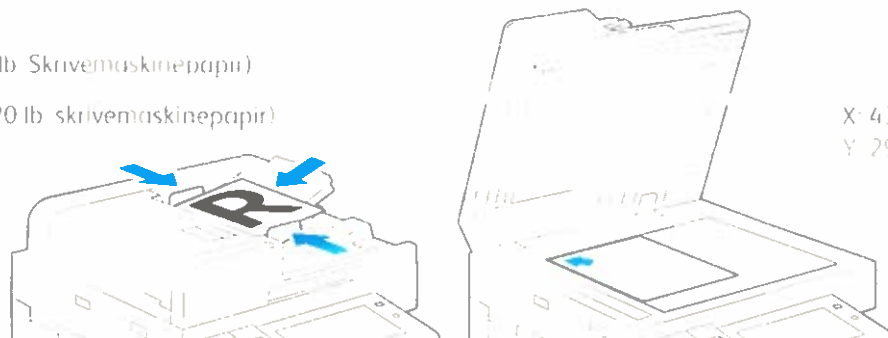
Se *betjeningsvejledningen* for udførlige oplysninger.

1

X: 85–432 mm (3,3–17")  
Y: 125–297 mm (4,9–11,7")

38–128 g/m<sup>2</sup>  
(26 lb. Tekst–34 lb. Skrivemaskinepapir)

<130 (80 g/m<sup>2</sup>, 20 lb. skrivemaskinepapir)  
(8270 <250)



Læg originalerne i.

2



Tryk på **Kopiering**, og vælg det ønskede antal kopier.

3



Vælg funktionsindstillinger på listen, og tryk på **Start**.



## Scanning og e-mail


Printeren er sluttet til et netværk, så du kan vælge en destination for det scannede billede på printerens betjeningspanel.


Denne vejledning definerer de teknikker, der anvendes til at scanne dokumenter uden klargøring af specielle indstillinger:


- Scanning af dokumenter til en e-mailadresse.
- Scanning af dokumenter til en gemt favorit, adressebogsadresse eller USB-flashdrev.
- Scanner dokumenter til den fælles standardmappe på printerens harddisk og henter dem vha. din webbrowser.

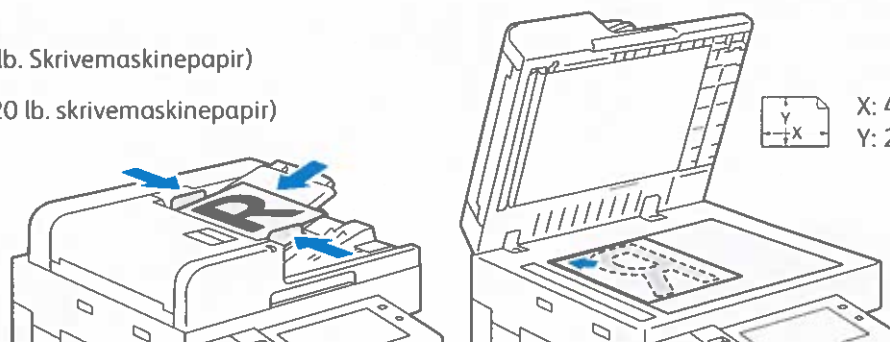
Se *betjeningsvejledningen* for udførlige oplysninger om scanningsindstillinger. Se *System Administrator Guide (Systemadministratorvejledning)* for oplysninger om indstilling af adressebog og arbejdsdiagram.

1

 X: 85–432 mm (3,3–17")  
Y: 125–297 mm (4,9–11,7")

 38–128 g/m<sup>2</sup>  
(26 lb. Tekst–34 lb. Skrivemaskinepapir)

 ≤130 (80 g/m<sup>2</sup>, 20 lb. skrivemaskinepapir)  
C8270: ≤250



 X: 432 mm (17")  
Y: 297 mm (11,7")

Læg originalerne i.

2



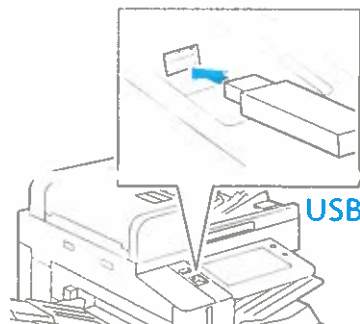
Tryk på **Startskærm** og derefter på **E-mail** for at e-maile scanningen. Tryk på **Scanning af arbejdsdiagram** for at scanne til den offentlige standardmappe eller et USB-flashdrev. Tryk på **Scan til**, hvis din scanningsdestination er gemt i adressebogen eller gemt som en favorit.



Under E-mail skal du trykke på Manuel indtastning, indtast derefter e-mailadressen vha. tastaturet på berøringsskærmen, og tryk dernæst på **Tilføj**. Tryk på **Tilføj modtager**, hvis du vil tilføje flere e-mailadresser til listen. Tryk på **Emne**, hvis du ønsker at indtaste en emnelinje for denne e-mail. Brug maskinens adressebog eller vælg fra favoritterne for at vælge gemte e-mailadresser.



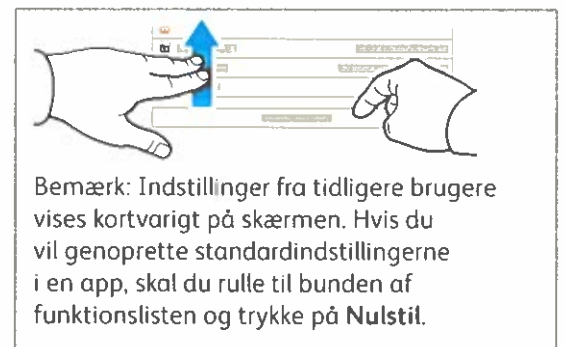
For Scanning af arbejdsdiagram skal du trykke på **Offentlig standardmappe** eller indsætte dit **USB-flashdrev**.



For Scan til skal du trykke på en destinationstype og derefter indtaste de relevante oplysninger. Hvis du vil tilføje mere end en destination til listen, skal du trykke på **Tilføj destination**.



Foretag de ønskede ændringer, og tryk derefter på **Scan** eller på **Send** for E-mail.



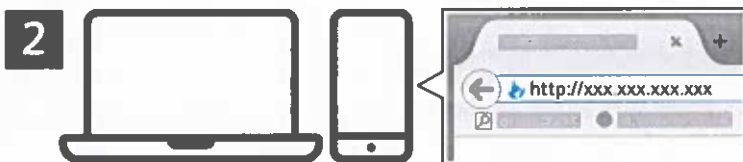
Bemærk: Indstillinger fra tidligere brugere vises kortvarigt på skærmen. Hvis du vil genoprette standardindstillingerne i en app, skal du rulle til bunden af funktionslisten og trykke på **Nulstil**.

# Hentning af scanningsfiler

Brug den integrerede webserver, hvis du vil downloade dine scannede billeder fra den offentlige standardmappe på printeren. Du kan oprette personlige mapper og skabeloner for scanning af arbejdsdiagram i den integrerede webserver. Se *betjeningsvejledningen* for udførlige oplysninger.



Noter printerens IP-adresse på berøringskærmen. Hvis IP-adressen ikke vises øverst til venstre på skærmen, skal du trykke på **Hjem** og derefter på **Enhed > Om** og rulle ned for at se IP-adressen.



Indtast printerens IP-adresse i en webbrowser og tryk på **Accept** eller **Tilbage**.



Klik på fanen **Scan**.

4

xerox



Vælg den offentlige standardmappe, og find derefter din scanning på listen. Klik på **Gå** for at downloade scanningen.

The image contains two callout boxes with instructions. The first callout box on the left points to the 'Opdater visning' button and contains the text: 'Klik på **Opdater visning** for at genopfriske listen.' The second callout box on the right points to the 'Download' button in the context menu and contains the text: 'Vælg **Download** for at gemme filen på din computer. Vælg **Genudskriv** til at udskrive den gemte fil igen. Vælg **Slet** for at slette den gemte opgave permanent. Vælg **Åbn** for at åbne en mappe.'


## Fax


Du kan sende en fax på fire måder:

- **Fax** scanner dokumentet, og sender det derefter direkte til en faxmaskine.
- **Serverfax** scanner dokumentet og sender det til en faxserver, der overfører dokumentet til en faxmaskine.
- **Internetfax** scanner dokumentet og sender det derefter i en e-mail til en modtager.
- **LAN-fax** sender den aktuelle udskrivningsopgave som en fax.

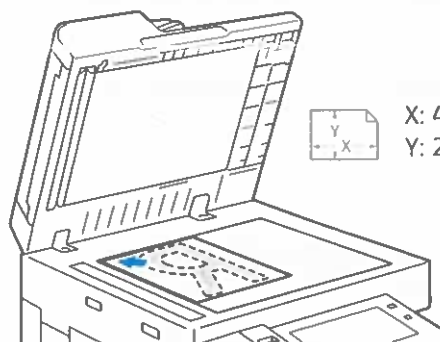
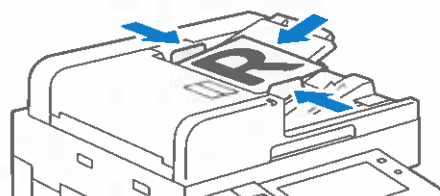
Se *betjeningsvejledningen* for udførlige oplysninger. Se printerdriversoftwaren for flere oplysninger om LAN-fax. Se *System Administrator Guide (Systemadministratorvejledning)* for oplysninger om indstilling af fax og avancerede indstillinger.


1

 X: 85–432 mm (3,3–17")  
Y: 125–297 mm (4,9–11,7")

 38–128 g/m<sup>2</sup>  
(26 lb. Tekst–34 lb. Skrivemaskinepapir)

 ≤130 (80 g/m<sup>2</sup>, 20 lb. skrivemaskinepapir)  
C8270: ≤250



 X: 432 mm (17")  
Y: 297 mm (11,7")

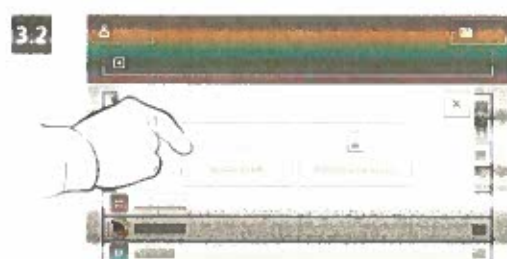
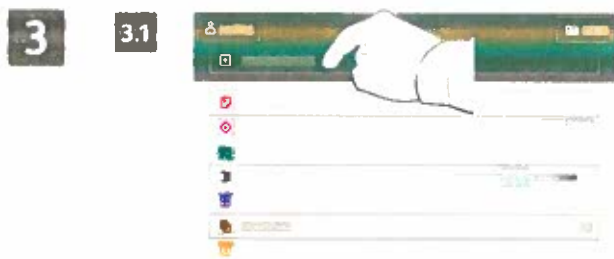
Læg originalen i.

2



Hvis du vil sende faxen til en faxmaskine, skal du trykke på **Hjem** og derefter **Fax** eller **Serverfax**.

Hvis du vil sende faxen som en vedhæftning til en e-mail, skal du trykke på **Hjem** og derefter på **Internetfax**.



For faxnumre skal du trykke på **Manuel indtastning** og derefter indtaste faxnummeret vha. de alfanumeriske taster og specialtegn på berøringsskærmen. Tryk på **Tilføj**. Tryk på **Tilføj modtager**, hvis du vil tilføje flere faxnumre til listen.

For Internetfax-e-mail-adresser skal du trykke på **Manuel indtastning** og derefter indtaste e-mailadressen vha. tastaturet på skærmen. Tryk på **Tilføj**. Tryk på **Tilføj modtager**, hvis du vil tilføje flere e-mailadresser til listen.

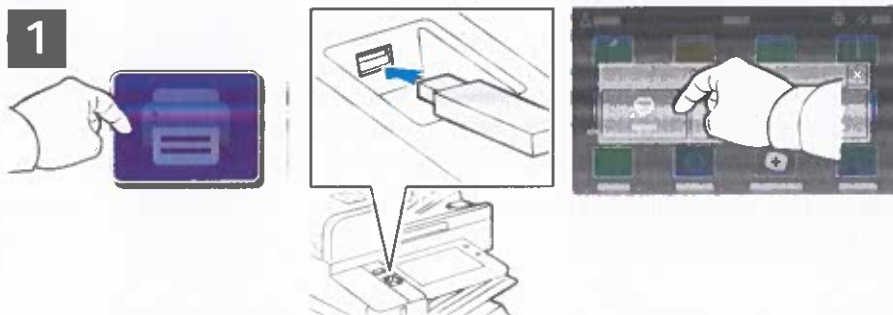
Brug maskinens adressebog eller vælg fra favoritterne for at vælge gemte numre. Vælg Postboks eller Polling for at vælge gemte faxplaceringer.



Rediger indstillinger alt efter behov, tryk derefter på **Send**.

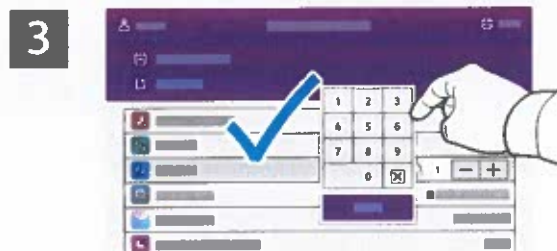
## Udskrivning fra et USB-flashdrev

Du kan udskrive .pdf-, .tiff-, .ps-, .xps- og andre filtyper direkte fra et USB-flashdrev. Se *betjeningsvejledningen* for udførlige oplysninger.



Fjern ikke USB-flashdrevet under læsning. Filer kan blive ødelagt.

Tryk på **Udskriv fra** eller isæt USB-flashdrevet, og vælg derefter **Udskriv fra USB**.



Tryk på plus-tegnet (+) eller minus-tegnet (-) for at indtaste kopiantallet. Hvis du ønsker mange kopier, skal du trykke på **Antal** og indtaste et tal.

Tryk på **Tilføj dokument**, gå til de ønskede filer, og vælg dem.



Vælg de ønskede indstillinger, tryk derefter på **Udskriv**.



Bemærk: Indstillinger fra tidligere brugere vises kortvarigt på skærmen. Hvis du vil genoprette standardindstillingerne i en app, skal du rulle til bunden af funktionslisten og trykke på **Nulstil**.

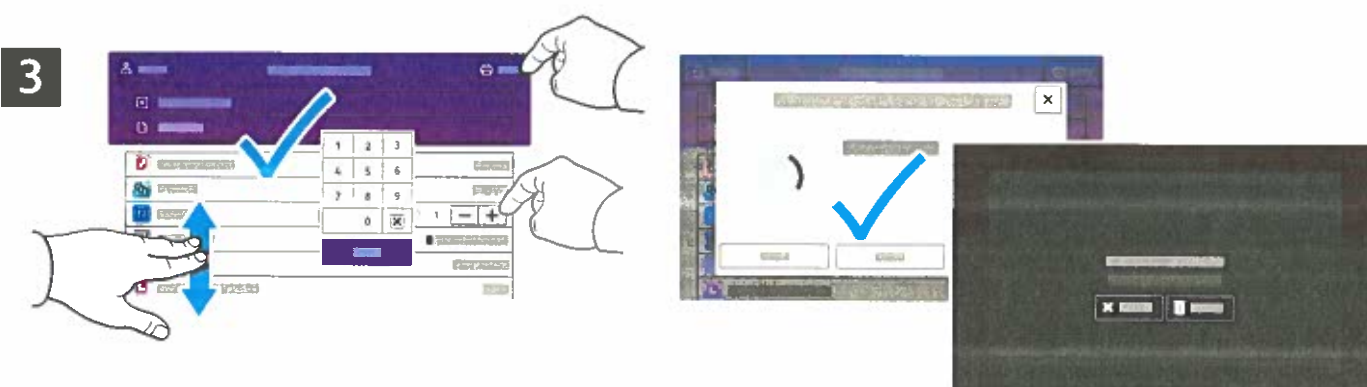
## Udskrivning af opgaver, der er gemt på printeren



Du kan sende en udskrivningsopgave, gemme den på printeren og derefter vælge opgaven på printerens betjeningspanel for at udskrive den senere. Opgaver kan gemmes i den offentlige mappe eller beskyttes med adgangskode. Xerox printerdriveren skal du vælge **Egenskaber** (Windows) eller **Xerox-funktioner** (Mac OS) og derefter **Opgavetype**. Vælg **Gemt opgave** eller **Fortrolig udskrivning** for Fortrolig udskrivning skal der indtastes en adgangskode. Klik på **OK** og udskriv opgaven.

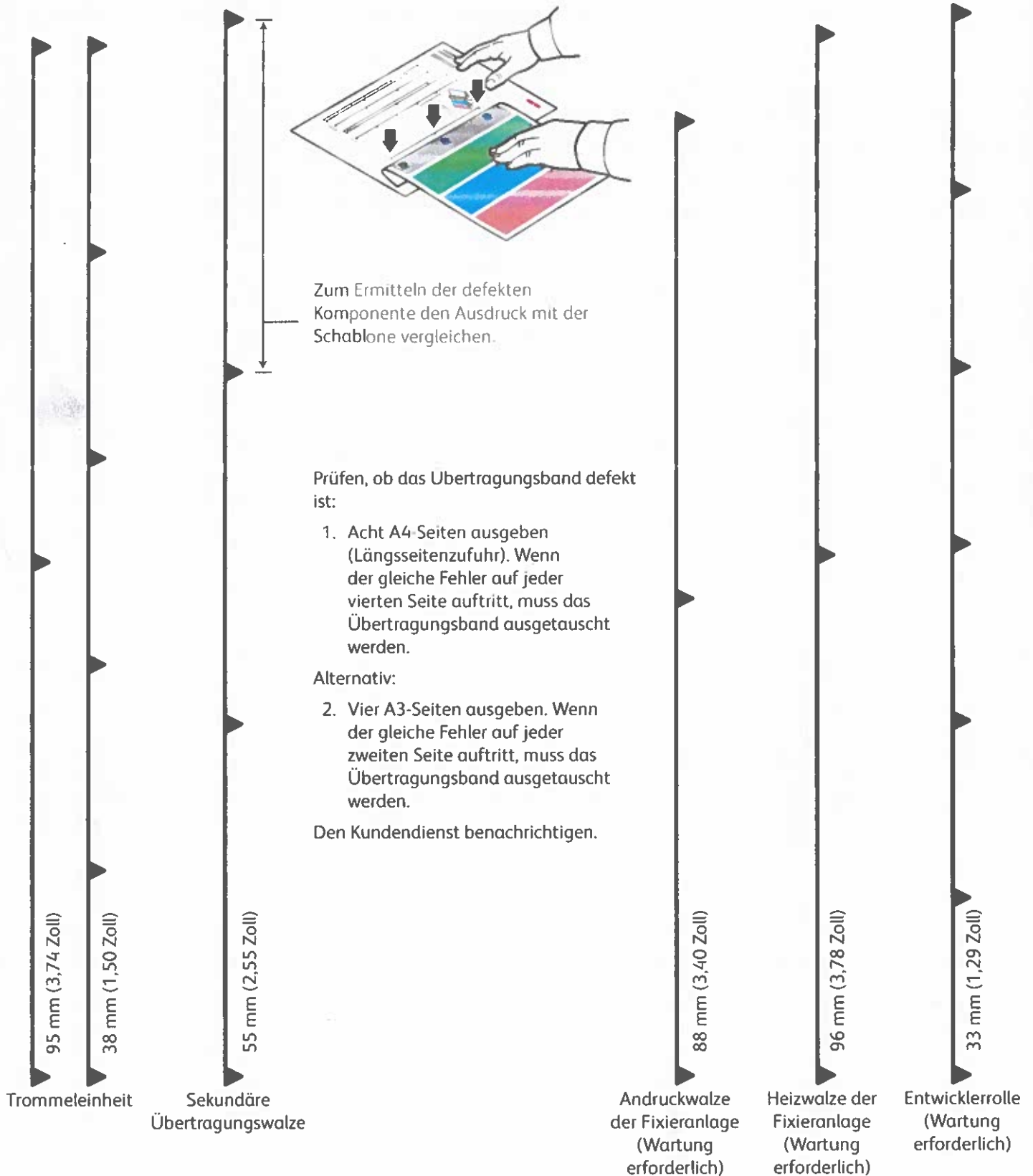


Tryk på **Udskriv fra** og derefter på **Gemte opgaver**. Vælg den offentlige standardmappe, og vælg derefter din udskrivningsopgave.

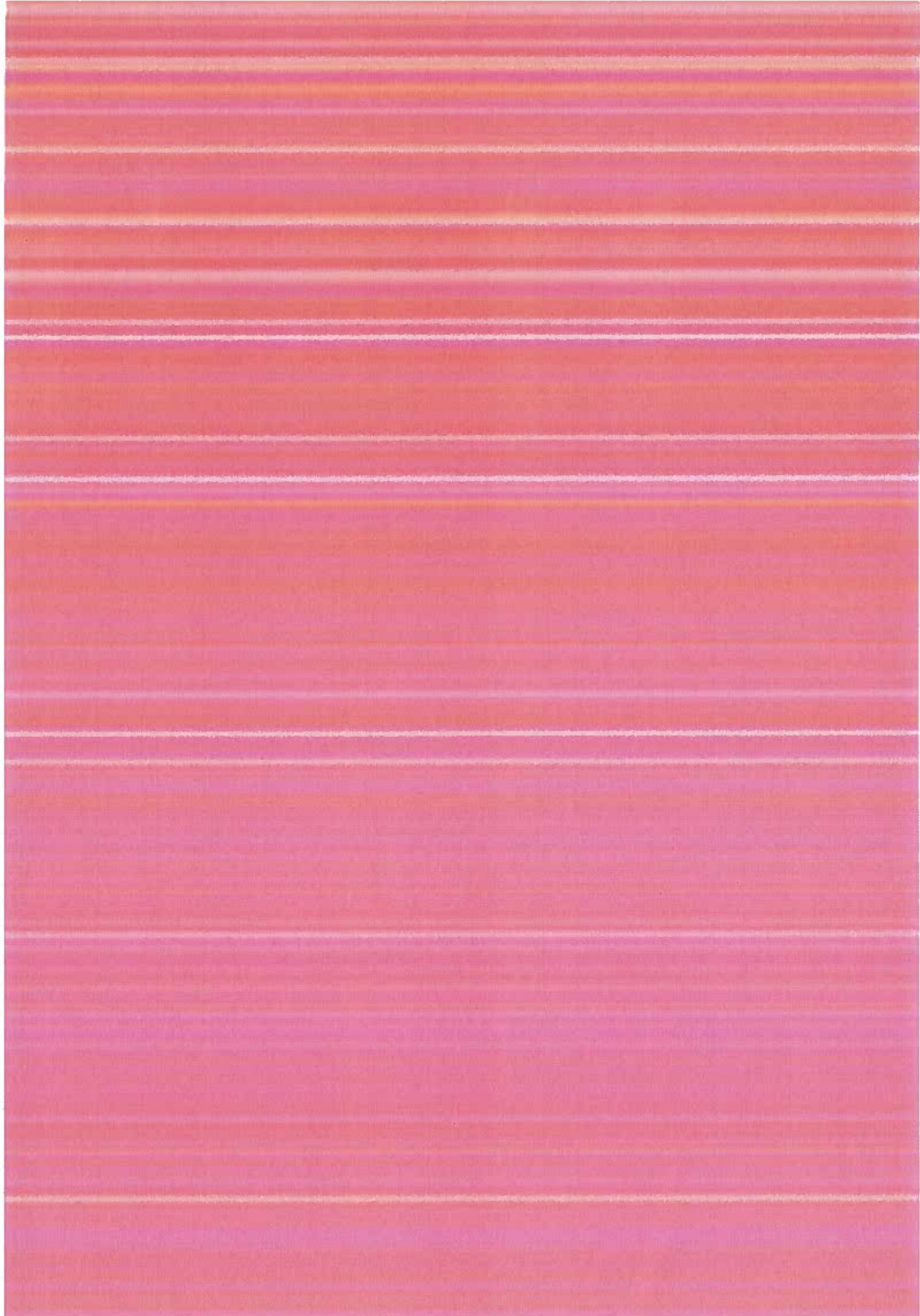


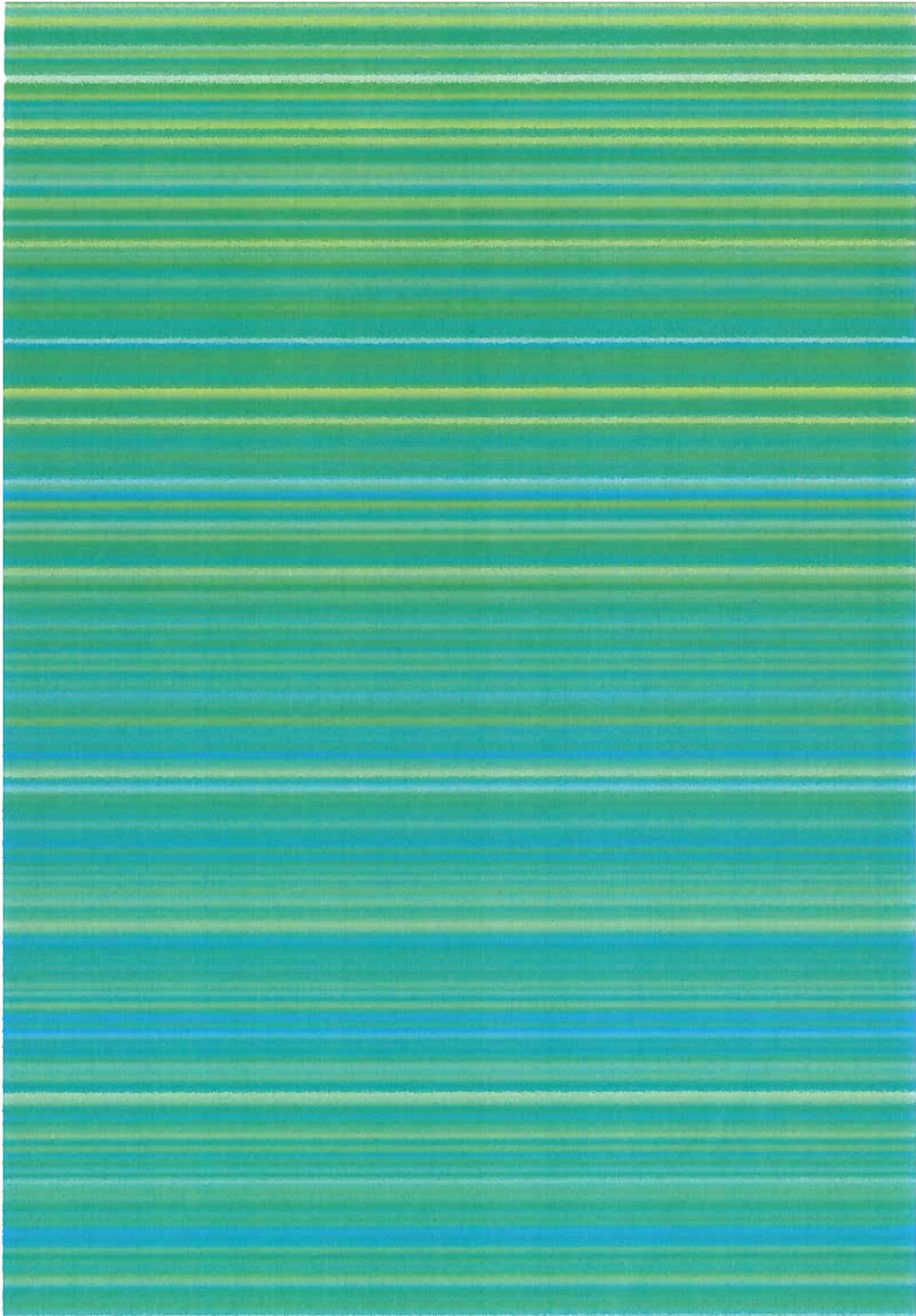
Vælg indstillinger fra listen. Tryk på plus-tegnet (+) eller minus-tegnet (-) for at indtaste kopiantallet. Hvis du ønsker mange kopier, skal du trykke på **Antal** og indtaste et tal. Tryk på **Udskriv**. Tryk på **Slet** på udskrivningsskærmen og bekræftelsesskærmen for at slette opgaven.

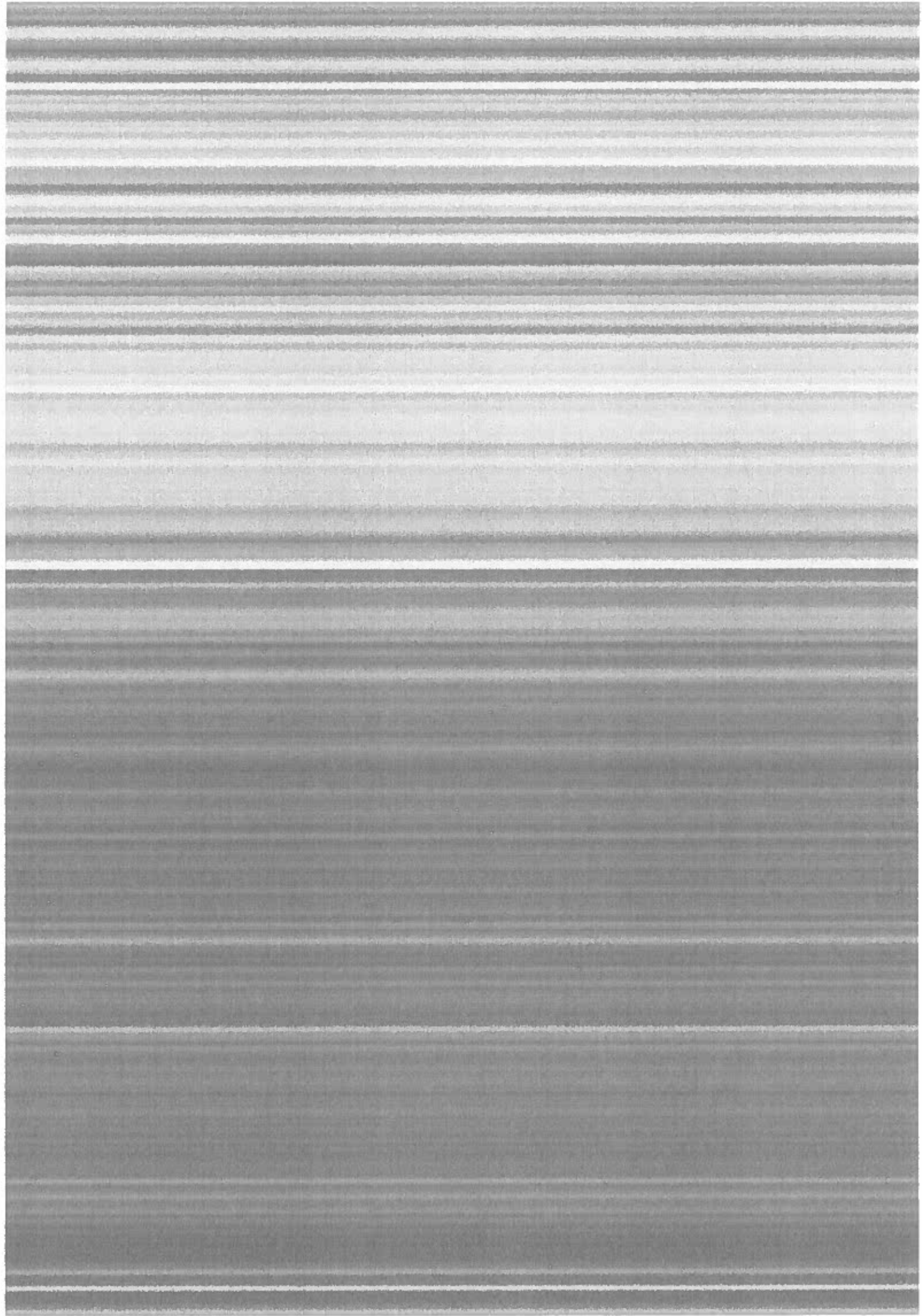
## Wiederholte Fehler











Residente Schriftarten

Position	Schriftname	Muster
1	Courier «Esc»(Symbol set«Esc»(s0p«pitch»h0s0b4099T	'ABCDEFGabcde fα0123456789&?!.,'
2	CG Times «Esc»(Symbol set«Esc»(s1p«size»v0s0b4101T	'ABCDEFGabcdefg0123456789&?!.,'
3	CG Times Bold «Esc»(Symbol set«Esc»(s1p«size»v0s3b4101T	'ABCDEFGabcdefg0123456789&?!.,'
4	CG Times Italic «Esc»(Symbol set«Esc»(s1p«size»v1s0b4101T	'ABCDEFGabcdefg0123456789&?!.,'
5	CG Times Bold Italic «Esc»(Symbol set«Esc»(s1p«size»v1s3b4101T	'ABCDEFGabcdefg0123456789&?!.,'
6	CG Omega «Esc»(Symbol set«Esc»(s1p«size»v0s0b4113T	'ABCDEFGabcdefg0123456789&?!.,'
7	CG Omega Bold «Esc»(Symbol set«Esc»(s1p«size»v0s3b4113T	'ABCDEFGabcdefg0123456789&?!.,'
8	CG Omega Italic «Esc»(Symbol set«Esc»(s1p«size»v1s0b4113T	'ABCDEFGabcdefg0123456789&?!.,'
9	CG Omega Bold Italic «Esc»(Symbol set«Esc»(s1p«size»v1s3b4113T	'ABCDEFGabcdefg0123456789&?!.,'
10	Coronet «Esc»(Symbol set«Esc»(s1p«size»v1s0b4116T	'ABCDEFGabcdefg0123456789&?!.,'
11	Clarendon Condensed «Esc»(Symbol set«Esc»(s1p«size»v4s3b4140T	'ABCDEFGabcdefg0123456789&?!.,'
12	Univers Medium «Esc»(Symbol set«Esc»(s1p«size»v0s0b4148T	'ABCDEFGabcdefg0123456789&?!.,'
13	Univers Bold «Esc»(Symbol set«Esc»(s1p«size»v0s3b4148T	'ABCDEFGabcdefg0123456789&?!.,'
14	Univers Medium Italic «Esc»(Symbol set«Esc»(s1p«size»v1s0b4148T	'ABCDEFGabcdefg0123456789&?!.,'
15	Univers Bold Italic «Esc»(Symbol set«Esc»(s1p«size»v1s3b4148T	'ABCDEFGabcdefg0123456789&?!.,'
16	Univers Medium Condensed «Esc»(Symbol set«Esc»(s1p«size»v4s0b4148T	'ABCDEFGabcdefg0123456789&?!.,'
17	Univers Bold Condensed «Esc»(Symbol set«Esc»(s1p«size»v4s3b4148T	'ABCDEFGabcdefg0123456789&?!.,'
18	Univers Medium Condensed Italic «Esc»(Symbol set«Esc»(s1p«size»v5s0b4148T	'ABCDEFGabcdefg0123456789&?!.,'

## Residente Schriftarten

Position	Schriftname	Mustert
19	Antique Olive Bold «Esc»(Symbol set«Esc»(s1p«size»v0s0b4168T	'ABCDEFgabcdefg0123456789&?!,'
20	Antique Olive «Esc»(Symbol set«Esc»(s1p«size»v0s0b4168T	ABCDEFgabcdefg0123456789&?!.,
21	Antique Olive Bold «Esc»(Symbol set«Esc»(s1p«size»v0s3b4168T	'ABCDEFgabcdefg0123456789&?!.,'
22	Antique Olive Italic «Esc»(Symbol set«Esc»(s1p«size»v1s0b4168T	'ABCDEFgabcdefg0123456789&?!.,'
23	Garamond Antiqua «Esc»(Symbol set«Esc»(s1p«size»v0s0b4197T	ABCDEFgabcdefg0123456789&?!.,
24	Garamond Halbfett «Esc»(Symbol set«Esc»(s1p«size»v0s3b4197T	'ABCDEFgabcdefg0123456789&?!.,'
25	Garamond Kursiv «Esc»(Symbol set«Esc»(s1p«size»v1s0b4197T	'ABCDEFgabcdefg0123456789&?!.,'
26	Garamond Kursiv Halbfett «Esc»(Symbol set«Esc»(s1p«size»v1s3b4197T	'ABCDEFgabcdefg0123456789&?!.,'
27	Marigold «Esc»(Symbol set«Esc»(s1p«size»v0s0b4297T	ABCDEFgabcdefg0123456789&?!.,
28	Albertus Medium «Esc»(Symbol set«Esc»(s1p«size»v0s1b4362T	'ABCDEFgabcdefg0123456789&?!.,'
29	Albertus Extra Bold «Esc»(Symbol set«Esc»(s1p«size»v0s4b4362T	'ABCDEFgabcdefg0123456789&?!.,'
30	Ryadh «Esc»(Symbol set«Esc»(s1p«size»v0s0b4859T	ABCDEFgabcdefg0123456789&?!.,
31	Ryadh Bold «Esc»(Symbol set«Esc»(s1p«size»v0s3b4859T	ABCDEFgabcdefg0123456789&?!.,
32	Malka «Esc»(Symbol set«Esc»(s1p«size»v0s0b16584T	ABCDEFgabcdefg0123456789&?!.,'
33	Malka Bold «Esc»(Symbol set«Esc»(s1p«size»v0s3b16584T	ABCDEFgabcdefg0123456789&?!.,'
34	Malka Italic «Esc»(Symbol set«Esc»(s1p«size»v1s0b16584T	ABCDEFgabcdefg0123456789&?!.,'
35	Dorit «Esc»(Symbol set«Esc»(s1p«size»v0s0b16585T	ABCDEFgabcdefg0123456789&?!.,'
36	Dorit Bold «Esc»(Symbol set«Esc»(s1p«size»v0s3b16585T	ABCDEFgabcdefg0123456789&?!.,'

## Residente Schriftarten

Position	Schriftname	Muster
37	Naamit «Esc»(Symbol set«Esc»(s1p«size»v0s0b16587T	ABCDEFGabcdefg0123456789&?!.,'
38	Naamit Bold «Esc»(Symbol set«Esc»(s1p«size»v0s3b16587T	ABCDEFGabcdefg0123456789&?!.,'
39	Arial «Esc»(Symbol set«Esc»(s1p«size»v0s0b16602T	'ABCDEFGabcdefg0123456789&?!.,'
40	Arial Bold «Esc»(Symbol set«Esc»(s1p«size»v0s3b16602T	'ABCDEFGabcdefg0123456789&?!.,'
41	Arial Italic «Esc»(Symbol set«Esc»(s1p«size»v1s0b16602T	ABCDEFGabcdefg0123456789&?!.,'
42	Arial Bold Italic «Esc»(Symbol set«Esc»(s1p«size»v1s3b16602T	'ABCDEFGabcdefg0123456789&?!.,'
43	Times New Roman «Esc»(Symbol set«Esc»(s1p«size»v0s0b16901T	'ABCDEFGabcdefg0123456789&?!.,'
44	Times New Roman Bold «Esc»(Symbol set«Esc»(s1p«size»v0s3b16901T	'ABCDEFGabcdefg0123456789&?!.,'
45	Times New Roman Italic «Esc»(Symbol set«Esc»(s1p«size»v1s0b16901T	'ABCDEFGabcdefg0123456789&?!.,'
46	Times New Roman Bold Italic «Esc»(Symbol set«Esc»(s1p«size»v1s3b16901T	'ABCDEFGabcdefg0123456789&?!.,'
47	Helvetica «Esc»(Symbol set«Esc»(s1p«size»v0s0b24580T	'ABCDEFGabcdefg0123456789&?!.,'
48	Helvetica Bold «Esc»(Symbol set«Esc»(s1p«size»v0s3b24580T	'ABCDEFGabcdefg0123456789&?!.,'
49	Helvetica Oblique «Esc»(Symbol set«Esc»(s1p«size»v1s0b24580T	'ABCDEFGabcdefg0123456789&?!.,'
50	Helvetica Bold Oblique «Esc»(Symbol set«Esc»(s1p«size»v1s3b24580T	'ABCDEFGabcdefg0123456789&?!.,'
51	Helvetica Narrow «Esc»(Symbol set«Esc»(s1p«size»v4s0b24580T	'ABCDEFGabcdefg0123456789&?!.,'
52	Helvetica Narrow Bold «Esc»(Symbol set«Esc»(s1p«size»v4s3b24580T	'ABCDEFGabcdefg0123456789&?!.,'
53	Helvetica Narrow Oblique «Esc»(Symbol set«Esc»(s1p«size»v5s0b24580T	'ABCDEFGabcdefg0123456789&?!.,'
54	Helvetica Narrow Bold Oblique «Esc»(Symbol set«Esc»(s1p«size»v5s3b24580T	'ABCDEFGabcdefg0123456789&?!.,'

## Residente Schriftarten

Position	Schriftname	Muster
55	Palatino Book	'ABCDEFGabcdefg0123456789&?!..'
56	Palatino Bold «Esc»(Symbol set«Esc»(s1p«size»v0s3b24591T	'ABCDEFGabcdefg0123456789&?!..'
57	Palatino Italic «Esc»(Symbol set«Esc»(s1p«size»v1s0b24591T	'ABCDEFGabcdefg0123456789&?!..'
58	Palatino Bold Italic «Esc»(Symbol set«Esc»(s1p«size»v1s3b24591T	'ABCDEFGabcdefg0123456789&?!..'
59	ITC Avant Garde Book «Esc»(Symbol set«Esc»(s1p«size»v0s0b24607T	'ABCDEFGabcdefg0123456789&?!..'
60	ITC Avant Garde DemiBold «Esc»(Symbol set«Esc»(s1p«size»v0s2b24607T	'ABCDEFGabcdefg0123456789&?!..'
61	ITC Avant Garde Book Oblique «Esc»(Symbol set«Esc»(s1p«size»v1s0b24607T	'ABCDEFGabcdefg0123456789&?!..'
62	ITC Avant Garde DemiBold Oblique «Esc»(Symbol set«Esc»(s1p«size»v1s2b24607T	'ABCDEFGabcdefg0123456789&?!..'
63	ITC Bookman Light «Esc»(Symbol set«Esc»(s1p«size»v0s-3b24623T	'ABCDEFGabcdefg0123456789&?!..'
64	ITC Bookman DemiBold «Esc»(Symbol set«Esc»(s1p«size»v0s2b24623T	'ABCDEFGabcdefg0123456789&?!..'
65	ITC Bookman Light Italic «Esc»(Symbol set«Esc»(s1p«size»v1s-3b24623T	'ABCDEFGabcdefg0123456789&?!..'
66	ITC Bookman DemiBold Italic «Esc»(Symbol set«Esc»(s1p«size»v1s2b24623T	'ABCDEFGabcdefg0123456789&?!..'
67	New Century Schoolbook Roman «Esc»(Symbol set«Esc»(s1p«size»v0s0b24703T	'ABCDEFGabcdefg0123456789&?!..'
68	New Century Schoolbook Bold «Esc»(Symbol set«Esc»(s1p«size»v0s3b24703T	'ABCDEFGabcdefg0123456789&?!..'
69	New Century Schoolbook Italic «Esc»(Symbol set«Esc»(s1p«size»v1s0b24703T	'ABCDEFGabcdefg0123456789&?!..'
70	New Century Schoolbook Bold Ital «Esc»(Symbol set«Esc»(s1p«size»v1s3b24703T	'ABCDEFGabcdefg0123456789&?!..'
71	Times Roman «Esc»(Symbol set«Esc»(s1p«size»v0s0b25093T	'ABCDEFGabcdefg0123456789&?!..'
72	Times Roman Bold «Esc»(Symbol set«Esc»(s1p«size»v0s3b25093T	'ABCDEFGabcdefg0123456789&?!..'



Residente Schriftarten

Position	Schriftname	Muster
88	Courier PS «Esc»(Symbol set«Esc»(s0p«pitch»h1s0b24579T	'ABCDEFGGabcdefg0123456789&?!.,'
93	Courier PS Bold Oblique «Esc»(Symbol set«Esc»(s0p«pitch»h1s3b24579T	'ABCDEFGGabcdefg0123456789&?!.,'
93	Line Printer «Esc»(BU«Esc»(s0p16 67h8 48v0s0b0T	'ABCDEFGGabcdefg0123456789&?!.,'

## Resident Fonts

Position	Font Name	Print Sample
1	Courier «Esc»(Symbol set«Esc»(s0p«pitch»h0s0b4099T	'ABCDEFGFGabcde f a 0123456789&?!...'*
2	CG Times «Esc»(Symbol set«Esc»(s1p«size»v0s0b4101T	'ABCDEFGFGabcde f g 0123456789&?!..''
3	CG Times Bold «Esc»(Symbol set«Esc»(s1p«size»v0s3b4101T	'ABCDEFGFGabcde f g 0123456789&?!..''
4	CG Times Italic «Esc»(Symbol set«Esc»(s1p«size»v1s0b4101T	'ABCDEFGFGabcde f g 0123456789&?!..''
5	CG Times Bold Italic «Esc»(Symbol set«Esc»(s1p«size»v1s3b4101T	'ABCDEFGFGabcde f g 0123456789&?!..''
6	CG Omega «Esc»(Symbol set«Esc»(s1p«size»v0s0b4113T	'ABCDEFGFGabcde f g 0123456789&?!..''
7	CG Omega Bold «Esc»(Symbol set«Esc»(s1p«size»v0s3b4113T	'ABCDEFGFGabcde f g 0123456789&?!..''
8	CG Omega Italic «Esc»(Symbol set«Esc»(s1p«size»v1s0b4113T	'ABCDEFGFGabcde f g 0123456789&?!..''
9	CG Omega Bold Italic «Esc»(Symbol set«Esc»(s1p«size»v1s3b4113T	'ABCDEFGFGabcde f g 0123456789&?!..''
10	Coronet «Esc»(Symbol set«Esc»(s1p«size»v1s0b4116T	'ABCDEFGFGabcde f g 0123456789&?!..''
11	Clarendon Condensed «Esc»(Symbol set«Esc»(s1p«size»v4s3b4140T	'ABCDEFGFGabcde f g 0123456789&?!..''
12	Univers Medium «Esc»(Symbol set«Esc»(s1p«size»v0s0b4148T	'ABCDEFGFGabcde f g 0123456789&?!..''
13	Univers Bold «Esc»(Symbol set«Esc»(s1p«size»v0s3b4148T	'ABCDEFGFGabcde f g 0123456789&?!..''
14	Univers Medium Italic «Esc»(Symbol set«Esc»(s1p«size»v1s0b4148T	'ABCDEFGFGabcde f g 0123456789&?!..''
15	Univers Bold Italic «Esc»(Symbol set«Esc»(s1p«size»v1s3b4148T	'ABCDEFGFGabcde f g 0123456789&?!..''
16	Univers Medium Condensed «Esc»(Symbol set«Esc»(s1p«size»v4s0b4148T	'ABCDEFGFGabcde f g 0123456789&?!..''
17	Univers Bold Condensed «Esc»(Symbol set«Esc»(s1p«size»v4s3b4148T	'ABCDEFGFGabcde f g 0123456789&?!..''
18	Univers Medium Condensed Italic «Esc»(Symbol set«Esc»(s1p«size»v5s0b4148T	'ABCDEFGFGabcde f g 0123456789&?!..''

## Resident Fonts

Position	Font Name	Print Sample
19	Antique Olive	'ABCDEFgabcdefg0123456789&?!.'
20	Antique Olive Bold «Esc»(Symbol set«Esc»(s1p«size»v0s0b4168T	ABCDEFgabcdefg0123456789&?!.'
21	Antique Olive Bold «Esc»(Symbol set«Esc»(s1p«size»v0s3b4168T	'ABCDEFgabcdefg0123456789&?!.'
22	Antique Olive Italic «Esc»(Symbol set«Esc»(s1p«size»v1s0b4168T	'ABCDEFgabcdefg0123456789&?!.'
23	Garamond Antique «Esc»(Symbol set«Esc»(s1p«size»v0s0b4197T	'ABCDEFgabcdefg0123456789&?!.'
24	Garamond Halbfett «Esc»(Symbol set«Esc»(s1p«size»v0s3b4197T	'ABCDEFgabcdefg0123456789&?!.'
25	Garamond Kursiv «Esc»(Symbol set«Esc»(s1p«size»v1s0b4197T	'ABCDEFgabcdefg0123456789&?!.'
26	Garamond Kursiv Halbfett «Esc»(Symbol set«Esc»(s1p«size»v1s3b4197T	'ABCDEFgabcdefg0123456789&?!.'
27	Marigold «Esc»(Symbol set«Esc»(s1p«size»v0s0b4297T	ABCDEFgabcdefg0123456789&?!.'
28	Albertus Medium «Esc»(Symbol set«Esc»(s1p«size»v0s1b4362T	'ABCDEFgabcdefg0123456789&?!.'
29	Albertus Extra Bold «Esc»(Symbol set«Esc»(s1p«size»v0s4b4362T	'ABCDEFgabcdefg0123456789&?!.'
30	Ryadh «Esc»(Symbol set«Esc»(s1p«size»v0s0b4859T	ABCDEFgabcdefg0123456789&?!.'
31	Ryadh Bold «Esc»(Symbol set«Esc»(s1p«size»v0s3b4859T	ABCDEFgabcdefg0123456789&?!.'
32	Malka «Esc»(Symbol set«Esc»(s1p«size»v0s0b16584T	ABCDEFgabcdefg0123456789&?!.'
33	Malka Bold «Esc»(Symbol set«Esc»(s1p«size»v0s3b16584T	ABCDEFgabcdefg0123456789&?!.'
34	Malka Italic «Esc»(Symbol set«Esc»(s1p«size»v1s0b16584T	ABCDEFgabcdefg0123456789&?!.'
35	Dorit «Esc»(Symbol set«Esc»(s1p«size»v0s0b16585T	ABCDEFgabcdefg0123456789&?!.'
36	Dorit Bold «Esc»(Symbol set«Esc»(s1p«size»v0s3b16585T	ABCDEFgabcdefg0123456789&?!.'

## Resident Fonts

Position	Font Name	Print Sample
37	Naamit «Esc»(Symbol set«Esc»(s1p«size»v0s0b16587T	ABCDEFGabcdefg0123456789&?!.,'
38	Naamit Bold «Esc»(Symbol set«Esc»(s1p«size»v0s3b16587T	ABCDEFGabcdefg0123456789&?!.,'
39	Arial «Esc»(Symbol set«Esc»(s1p«size»v0s0b16602T	'ABCDEFGabcdefg0123456789&?!.,'
40	Arial Bold «Esc»(Symbol set«Esc»(s1p«size»v0s3b16602T	'ABCDEFGabcdefg0123456789&?!.,'
41	Arial Italic «Esc»(Symbol set«Esc»(s1p«size»v1s0b16602T	'ABCDEFGabcdefg0123456789&?!.,'
42	Arial Bold Italic «Esc»(Symbol set«Esc»(s1p«size»v1s3b16602T	'ABCDEFGabcdefg0123456789&?!.,'
43	Times New Roman «Esc»(Symbol set«Esc»(s1p«size»v0s0b16901T	'ABCDEFGabcdefg0123456789&?!.,'
44	Times New Roman Bold «Esc»(Symbol set«Esc»(s1p«size»v0s3b16901T	'ABCDEFGabcdefg0123456789&?!.,'
45	Times New Roman Italic «Esc»(Symbol set«Esc»(s1p«size»v1s0b16901T	'ABCDEFGabcdefg0123456789&?!.,'
46	Times New Roman Bold Italic «Esc»(Symbol set«Esc»(s1p«size»v1s3b16901T	'ABCDEFGabcdefg0123456789&?!.,'
47	Helvetica «Esc»(Symbol set«Esc»(s1p«size»v0s0b24580T	'ABCDEFGabcdefg0123456789&?!.,'
48	Helvetica Bold «Esc»(Symbol set«Esc»(s1p«size»v0s3b24580T	'ABCDEFGabcdefg0123456789&?!.,'
49	Helvetica Oblique «Esc»(Symbol set«Esc»(s1p«size»v1s0b24580T	'ABCDEFGabcdefg0123456789&?!.,'
50	Helvetica Bold Oblique «Esc»(Symbol set«Esc»(s1p«size»v1s3b24580T	'ABCDEFGabcdefg0123456789&?!.,'
51	Helvetica Narrow «Esc»(Symbol set«Esc»(s1p«size»v4s0b24580T	'ABCDEFGabcdefg0123456789&?!.,'
52	Helvetica Narrow Bold «Esc»(Symbol set«Esc»(s1p«size»v4s3b24580T	'ABCDEFGabcdefg0123456789&?!.,'
53	Helvetica Narrow Oblique «Esc»(Symbol set«Esc»(s1p«size»v5s0b24580T	'ABCDEFGabcdefg0123456789&?!.,'
54	Helvetica Narrow Bold Oblique «Esc»(Symbol set«Esc»(s1p«size»v5s3b24580T	'ABCDEFGabcdefg0123456789&?!.,'

## Resident Fonts

Position	Font Name	Print Sample
55	Palatino Regular «Esc»(Symbol set«Esc»(s1p«size»v0s3b24591T	'ABCDEFGabcdefg0123456789&?!..'
56	Palatino Regular «Esc»(Symbol set«Esc»(s1p«size»v0s3b24591T	'ABCDEFGabcdefg0123456789&?!..'
57	Palatino Italic «Esc»(Symbol set«Esc»(s1p«size»v1s0b24591T	'ABCDEFGabcdefg0123456789&?!..'
58	Palatino Bold Italic «Esc»(Symbol set«Esc»(s1p«size»v1s3b24591T	'ABCDEFGabcdefg0123456789&?!..'
59	ITC Avant Garde Book «Esc»(Symbol set«Esc»(s1p«size»v0s0b24607T	'ABCDEFGabcdefg0123456789&?!..'
60	ITC Avant Garde DemiBold «Esc»(Symbol set«Esc»(s1p«size»v0s2b24607T	'ABCDEFGabcdefg0123456789&?!..'
61	ITC Avant Garde Book Oblique «Esc»(Symbol set«Esc»(s1p«size»v1s0b24607T	'ABCDEFGabcdefg0123456789&?!..'
62	ITC Avant Garde DemiBold Oblique «Esc»(Symbol set«Esc»(s1p«size»v1s2b24607T	'ABCDEFGabcdefg0123456789&?!..'
63	ITC Bookman Light «Esc»(Symbol set«Esc»(s1p«size»v0s-3b24623T	'ABCDEFGabcdefg0123456789&?!..'
64	ITC Bookman DemiBold «Esc»(Symbol set«Esc»(s1p«size»v0s2b24623T	'ABCDEFGabcdefg0123456789&?!..'
65	ITC Bookman Light Italic «Esc»(Symbol set«Esc»(s1p«size»v1s-3b24623T	'ABCDEFGabcdefg0123456789&?!..'
66	ITC Bookman DemiBold Italic «Esc»(Symbol set«Esc»(s1p«size»v1s2b24623T	'ABCDEFGabcdefg0123456789&?!..'
67	New Century Schoolbook Roman «Esc»(Symbol set«Esc»(s1p«size»v0s0b24703T	'ABCDEFGabcdefg0123456789&?!..'
68	New Century Schoolbook Bold «Esc»(Symbol set«Esc»(s1p«size»v0s3b24703T	'ABCDEFGabcdefg0123456789&?!..'
69	New Century Schoolbook Italic «Esc»(Symbol set«Esc»(s1p«size»v1s0b24703T	'ABCDEFGabcdefg0123456789&?!..'
70	New Century Schoolbook Bold Ital «Esc»(Symbol set«Esc»(s1p«size»v1s3b24703T	'ABCDEFGabcdefg0123456789&?!..'
71	Times Roman «Esc»(Symbol set«Esc»(s1p«size»v0s0b25093T	'ABCDEFGabcdefg0123456789&?!..'
72	Times Roman Bold «Esc»(Symbol set«Esc»(s1p«size»v0s3b25093T	'ABCDEFGabcdefg0123456789&?!..'



Resident Fonts

Position	Font Name	Print Sample
90	Helvetica Bold «Esc»(Symbol set«Esc»(s0p«pitch»h1s0b24579T	'ABCDEFGGabcdefg0123456789&?!.,'
92	Helvetica Bold Oblique «Esc»(Symbol set«Esc»(s0p«pitch»h1s0b24579T	'ABCDEFGGabcdefg0123456789&?!.,'
93	Courier PS Bold Oblique «Esc»(Symbol set«Esc»(s0p«pitch»h1s3b24579T	'ABCDEFGGabcdefg0123456789&?!.,'
93	Line Printer «Esc»(80)«Esc»(s0p16 67h8 48v0s0b0T	'ABCDEFGGabcdefg0123456789&?!.,'

# PostScript-Schriftartenliste

## Interne Schriftarten:

AlbertusMT	ABCDEFG abcdefg 0123456789 &?!\$.,€
AlbertusMT-Italic	ABCDEFG abcdefg 0123456789 &?!\$.,€
AlbertusMT-Light	ABCDEFG abcdefg 0123456789 &?!\$.,€
AntiqueOlive-Bold	ABCDEFG abcdefg 0123456789 &?!\$.,€
AntiqueOlive-Compact	<b>ABCDEFG abcdefg 0123456789 &amp;?!\$.,€</b>
AntiqueOlive-Italic	ABCDEFG abcdefg 0123456789 &?!\$.,€
AntiqueOlive-Roman	ABCDEFG abcdefg 0123456789 &?!\$.,€
Apple-Chancery	ABCDEFG abcdefg 0123456789 &?!\$.,€
Arial-BoldItalicMT	<b>ABCDEFG abcdefg 0123456789 &amp;?!\$.,€</b>
Arial-BoldMT	ABCDEFG abcdefg 0123456789 &?!\$.,€
Arial-ItalicMT	ABCDEFG abcdefg 0123456789 &?!\$.,€
ArialMT	ABCDEFG abcdefg 0123456789 &?!\$.,€
AvantGarde-Book	ABCDEFG abcdefg 0123456789 &?!\$.,€
AvantGarde-BookOblique	ABCDEFG abcdefg 0123456789 &?!\$.,€
AvantGarde-Demi	ABCDEFG abcdefg 0123456789 &?!\$.,€
AvantGarde-DemiOblique	<b>ABCDEFG abcdefg 0123456789 &amp;?!\$.,€</b>
Bodoni	ABCDEFG abcdefg 0123456789 &?!\$.,€
Bodoni-Bold	ABCDEFG abcdefg 0123456789 &?!\$.,€
Bodoni-BoldItalic	<b>ABCDEFG abcdefg 0123456789 &amp;?!\$.,€</b>
Bodoni-Italic	ABCDEFG abcdefg 0123456789 &?!\$.,€
Bodoni-Poster	<b>ABCDEFG abcdefg 0123456789 &amp;?!\$.,€</b>
Bodoni-PosterCompressed	ABCDEFG abcdefg 0123456789 &?!\$.,€
Bookman-Demi	<b>ABCDEFG abcdefg 0123456789 &amp;?!\$.,€</b>
Bookman-DemiItalic	<b>ABCDEFG abcdefg 0123456789 &amp;?!\$.,€</b>
Bookman-Light	ABCDEFG abcdefg 0123456789 &?!\$.,€
Bookman-LightItalic	ABCDEFG abcdefg 0123456789 &?!\$.,€
Carta	*!@#%&'()*+,-./:;<=>?[]^_`{ }~&?!\$.,€
Chicago	<b>ABCDEFG abcdefg 0123456789 &amp;?!\$.,€</b>
Clarendon	ABCDEFG abcdefg 0123456789 &?!\$.,€
Clarendon-Bold	<b>ABCDEFG abcdefg 0123456789 &amp;?!\$.,€</b>
Clarendon-Light	ABCDEFG abcdefg 0123456789 &?!\$.,€
CooperBlack	<b>ABCDEFG abcdefg 0123456789 &amp;?!\$.,€</b>
CooperBlack-Italic	<b>ABCDEFG abcdefg 0123456789 &amp;?!\$.,€</b>
Copperplate-ThirtyThreeBC	<b>ABCDEFG ABCDEFG 0123456789 &amp;?!\$.,€</b>
Copperplate-ThirtyTwoBC	ABCDEFG ABCDEFG 0123456789 &?!\$.,€
Coronet-Regular	ABCDEFG abcdefg 0123456789 &?!\$.,€
Courier	ABCDEFG abcdefg 0123456789 &?!\$.,€
Courier-Bold	<b>ABCDEFG abcdefg 0123456789 &amp;?!\$.,€</b>
Courier-BoldOblique	<b>ABCDEFG abcdefg 0123456789 &amp;?!\$.,€</b>
Courier-Oblique	ABCDEFG abcdefg 0123456789 &?!\$.,€
Eurostile	ABCDEFG abcdefg 0123456789 &?!\$.,€
Eurostile-Bold	<b>ABCDEFG abcdefg 0123456789 &amp;?!\$.,€</b>
Eurostile-BoldExtendedTwo	<b>ABCDEFG abcdefg 0123456789 &amp;?!\$.,€</b>
Eurostile-ExtendedTwo	ABCDEFG abcdefg 0123456789 &?!\$.,€
Geneva	ABCDEFG abcdefg 0123456789 &?!\$.,€
GillSans	ABCDEFG abcdefg 0123456789 &?!\$.,€
GillSans-Bold	<b>ABCDEFG abcdefg 0123456789 &amp;?!\$.,€</b>
GillSans-BoldCondensed	<b>ABCDEFG abcdefg 0123456789 &amp;?!\$.,€</b>
GillSans-BoldItalic	<b>ABCDEFG abcdefg 0123456789 &amp;?!\$.,€</b>
GillSans-Condensed	ABCDEFG abcdefg 0123456789 &?!\$.,€
GillSans-ExtraBold	<b>ABCDEFG abcdefg 0123456789 &amp;?!\$.,€</b>
GillSans-Italic	ABCDEFG abcdefg 0123456789 &?!\$.,€
GillSans-Light	ABCDEFG abcdefg 0123456789 &?!\$.,€
GillSans-LightItalic	ABCDEFG abcdefg 0123456789 &?!\$.,€
Goudy	ABCDEFG abcdefg 0123456789 &?!\$.,€
Goudy-Bold	ABCDEFG abcdefg 0123456789 &?!\$.,€
Goudy-BoldItalic	ABCDEFG abcdefg 0123456789 &?!\$.,€
Goudy-ExtraBold	<b>ABCDEFG abcdefg 0123456789 &amp;?!\$.,€</b>
Goudy-Italic	ABCDEFG abcdefg 0123456789 &?!\$.,€
GreekMono737	ABCDEFG abcdefg 0123456789 &?!\$.,€
GreekMono737-Bold	<b>ABCDEFG abcdefg 0123456789 &amp;?!\$.,€</b>
GreekMono737-BoldItalic	<b>ABCDEFG abcdefg 0123456789 &amp;?!\$.,€</b>
GreekMono737-Italic	ABCDEFG abcdefg 0123456789 &?!\$.,€
GreekMono851	ABCDEFG abcdefg 0123456789 &?!\$.,€
GreekMono851-Bold	<b>ABCDEFG abcdefg 0123456789 &amp;?!\$.,€</b>
GreekMono851-BoldItalic	<b>ABCDEFG abcdefg 0123456789 &amp;?!\$.,€</b>
GreekMono851-Italic	ABCDEFG abcdefg 0123456789 &?!\$.,€
GreekMono8859-7	ABCDEFG abcdefg 0123456789 &?!\$.,€
GreekMono8859-7Bold	<b>ABCDEFG abcdefg 0123456789 &amp;?!\$.,€</b>

# PostScript-Schriftartenliste

## Interne Schriftarten (Fortsetzung):

GreekMono8859-7BoldItalic	ABCDEF G abcdefg 0123456789 &?!\$
GreekMono8859-7Italic	ABCDEF G abcdefg 0123456789 &?!\$
GreekSans737	ABCDEF G abcdefg 0123456789 &?!\$
GreekSans737-Bold	ABCDEF G abcdefg 0123456789 &?!\$
GreekSans737-BoldItalic	ABCDEF G abcdefg 0123456789 &?!\$
GreekSans737-Italic	ABCDEF G abcdefg 0123456789 &?!\$
GreekSans851	ABCDEF G abcdefg 0123456789 &?!\$
GreekSans851-Bold	ABCDEF G abcdefg 0123456789 &?!\$
GreekSans851-BoldItalic	ABCDEF G abcdefg 0123456789 &?!\$
GreekSans851-Italic	ABCDEF G abcdefg 0123456789 &?!\$
GreekSans8859-7	ABCDEF G abcdefg 0123456789 &?!\$
GreekSans8859-7Bold	ABCDEF G abcdefg 0123456789 &?!\$
GreekSans8859-7BoldItalic	ABCDEF G abcdefg 0123456789 &?!\$
GreekSans8859-7Italic	ABCDEF G abcdefg 0123456789 &?!\$
GreekSerif737	ABCDEF G abcdefg 0123456789 &?!\$
GreekSerif737-Bold	ABCDEF G abcdefg 0123456789 &?!\$
GreekSerif737-BoldItalic	ABCDEF G abcdefg 0123456789 &?!\$
GreekSerif737-Italic	ABCDEF G abcdefg 0123456789 &?!\$
GreekSerif851	ABCDEF G abcdefg 0123456789 &?!\$
GreekSerif851-Bold	ABCDEF G abcdefg 0123456789 &?!\$
GreekSerif851-BoldItalic	ABCDEF G abcdefg 0123456789 &?!\$
GreekSerif851-Italic	ABCDEF G abcdefg 0123456789 &?!\$
GreekSerif8859-7	ABCDEF G abcdefg 0123456789 &?!\$
GreekSerif8859-7Bold	ABCDEF G abcdefg 0123456789 &?!\$
GreekSerif8859-7BoldItalic	ABCDEF G abcdefg 0123456789 &?!\$
GreekSerif8859-7Italic	ABCDEF G abcdefg 0123456789 &?!\$
Helvetica	ABCDEF G abcdefg 0123456789 &?!\$
Helvetica-Bold	ABCDEF G abcdefg 0123456789 &?!\$
Helvetica-BoldOblique	ABCDEF G abcdefg 0123456789 &?!\$
Helvetica-Condensed	ABCDEF G abcdefg 0123456789 &?!\$
Helvetica-Condensed-Bold	ABCDEF G abcdefg 0123456789 &?!\$
Helvetica-Condensed-BoldOblique	ABCDEF G abcdefg 0123456789 &?!\$
Helvetica-Condensed-Oblique	ABCDEF G abcdefg 0123456789 &?!\$
Helvetica-Narrow	ABCDEF G abcdefg 0123456789 &?!\$
Helvetica-Narrow-Bold	ABCDEF G abcdefg 0123456789 &?!\$
Helvetica-Narrow-BoldOblique	ABCDEF G abcdefg 0123456789 &?!\$
Helvetica-Narrow-Oblique	ABCDEF G abcdefg 0123456789 &?!\$
Helvetica-Oblique	ABCDEF G abcdefg 0123456789 &?!\$
HoeflerText-Black	ABCDEF G abcdefg 0123456789 &?!\$
HoeflerText-BlackItalic	ABCDEF G abcdefg 0123456789 &?!\$
HoeflerText-Italic	ABCDEF G abcdefg 0123456789 &?!\$
HoeflerText-Ornaments	ABCDEF G abcdefg 0123456789 &?!\$
HoeflerText-Regular	ABCDEF G abcdefg 0123456789 &?!\$
JoannaMT	ABCDEF G abcdefg 0123456789 &?!\$
JoannaMT-Bold	ABCDEF G abcdefg 0123456789 &?!\$
JoannaMT-BoldItalic	ABCDEF G abcdefg 0123456789 &?!\$
JoannaMT-Italic	ABCDEF G abcdefg 0123456789 &?!\$
LetterGothic	ABCDEF G abcdefg 0123456789 &?!\$
LetterGothic-Bold	ABCDEF G abcdefg 0123456789 &?!\$
LetterGothic-BoldSlanted	ABCDEF G abcdefg 0123456789 &?!\$
LetterGothic-Slanted	ABCDEF G abcdefg 0123456789 &?!\$
LubalinGraph-Book	ABCDEF G abcdefg 0123456789 &?!\$
LubalinGraph-BookOblique	ABCDEF G abcdefg 0123456789 &?!\$
LubalinGraph-Demi	ABCDEF G abcdefg 0123456789 &?!\$
LubalinGraph-DemiOblique	ABCDEF G abcdefg 0123456789 &?!\$
Marigold	ABCDEF G abcdefg 0123456789 &?!\$
MonaLisa-Recut	ABCDEF G abcdefg 0123456789 &?!\$
Monaco	ABCDEF G abcdefg 0123456789 &?!\$
NewCenturySchlbk-Bold	ABCDEF G abcdefg 0123456789 &?!\$
NewCenturySchlbk-BoldItalic	ABCDEF G abcdefg 0123456789 &?!\$
NewCenturySchlbk-Italic	ABCDEF G abcdefg 0123456789 &?!\$
NewCenturySchlbk-Roman	ABCDEF G abcdefg 0123456789 &?!\$
NewYork	ABCDEF G abcdefg 0123456789 &?!\$
Optima	ABCDEF G abcdefg 0123456789 &?!\$
Optima-Bold	ABCDEF G abcdefg 0123456789 &?!\$
Optima-BoldItalic	ABCDEF G abcdefg 0123456789 &?!\$
Optima-Italic	ABCDEF G abcdefg 0123456789 &?!\$
Oxford	ABCDEF G abcdefg 0123456789 &?!\$
Palatino-Bold	ABCDEF G abcdefg 0123456789 &?!\$

# PostScript-Schriftartenliste

## Interne Schriftarten (Fortsetzung):

Palatino-BoldItalic	ABCDEF G abcdefg 0123456789 &?!\$ %
Palatino-Italic	ABCDEFGH abcdefg 0123456789 &?!\$,%
Palatino-Roman	ABCDEFGH abcdefg 0123456789 &?!\$,%
StempelGaramond-Bold	ABCDEF G abcdefg 0123456789 &?!\$,%
StempelGaramond-BoldItalic	ABCDEFGH abcdefg 0123456789 &?!\$,%
StempelGaramond-Italic	ABCDEFGHI abcdefg 0123456789 &?!\$,%
StempelGaramond-Roman	ABCDEFGH abcdefg 0123456789 &?!\$,%
Symbol	ABXAEΦΓ αβχδεφγ 0123456789 &?!\$,%
Tekton	ABCDEFGH abcdefg 0123456789 &?!\$,%
Times-Bold	ABCDEFGH abcdefg 0123456789 &?!\$,%
Times-BoldItalic	ABCDEFGH abcdefg 0123456789 &?!\$,%
Times-Italic	ABCDEFGH abcdefg 0123456789 &?!\$,%
Times-Roman	ABCDEFGH abcdefg 0123456789 &?!\$,%
TimesNewRomanPS-BoldItalicMT	ABCDEFGH abcdefg 0123456789 &?!\$,%
TimesNewRomanPS-BoldMT	ABCDEFGH abcdefg 0123456789 &?!\$,%
TimesNewRomanPS-ItalicMT	ABCDEFGHI abcdefg 0123456789 &?!\$,%
TimesNewRomanPSMT	ABCDEFGH abcdefg 0123456789 &?!\$,%
Univers	ABCDEFGH abcdefg 0123456789 &?!\$,%
Univers-Bold	ABCDEFGH abcdefg 0123456789 &?!\$,%
Univers-BoldExt	ABCDEFGH abcdefg 0123456789 &?!\$,%
Univers-BoldExtObl	ABCDEFGH abcdefg 0123456789 &?!\$,%
Univers-BoldOblique	ABCDEFGH abcdefg 0123456789 &?!\$,%
Univers-Condensed	ABCDEFGH abcdefg 0123456789 &?!\$,%
Univers-CondensedBold	ABCDEFGH abcdefg 0123456789 &?!\$,%
Univers-CondensedBoldOblique	ABCDEFGH abcdefg 0123456789 &?!\$,%
Univers-CondensedOblique	ABCDEFGH abcdefg 0123456789 &?!\$,%
Univers-Extended	ABCDEFGH abcdefg 0123456789 &?!\$,%
Univers-ExtendedObl	ABCDEFGH abcdefg 0123456789 &?!\$,%
Univers-Light	ABCDEFGH abcdefg 0123456789 &?!\$,%
Univers-LightOblique	ABCDEFGH abcdefg 0123456789 &?!\$,%
Univers-Oblique	ABCDEFGH abcdefg 0123456789 &?!\$,%
Wingdings	ⒶⒷⒸⒹⒺⒻⒼⒽⒾⒿⓀⓁⓂⓃⓄⓅⓆⓇⓈⓉⓊⓋⓌⓍⓎⓏⓐⓑⓓⓔⓖⓗⓙⓚⓛⓞⓟⓠⓡⓢⓣⓤⓥⓦⓧⓨⓩ⓪⓫⓬⓭⓮⓯⓰⓱⓲⓳⓴⓵⓶⓷⓸⓹⓺⓻⓼⓽⓾⓿
Wingdings-Regulär	ⒶⒷⒸⒹⒺⒻⒼⒽⒾⒿⓀⓁⓂⓃⓄⓅⓆⓇⓈⓉⓊⓋⓌⓍⓎⓏⓐⓑⓓⓔⓖⓗⓙⓚⓛⓞⓟⓠⓡⓢⓣⓤⓥⓦⓧⓨⓩ⓪⓫⓬⓭⓮⓯⓰⓱⓲⓳⓴⓵⓶⓷⓸⓹⓺⓻⓼⓽⓾⓿
ZapfChancery-MediumItalic	ABCDEFGHI abcdefg 0123456789 &?!\$,%
ZapfDingbats	ⒶⒷⒸⒹⒺⒻⒼⒽⒾⒿⓀⓁⓂⓃⓄⓅⓆⓇⓈⓉⓊⓋⓌⓍⓎⓏⓐⓑⓓⓔⓖⓗⓙⓚⓛⓞⓟⓠⓡⓢⓣⓤⓥⓦⓧⓨⓩ⓪⓫⓬⓭⓮⓯⓰⓱⓲⓳⓴⓵⓶⓷⓸⓹⓺⓻⓼⓽⓾⓿

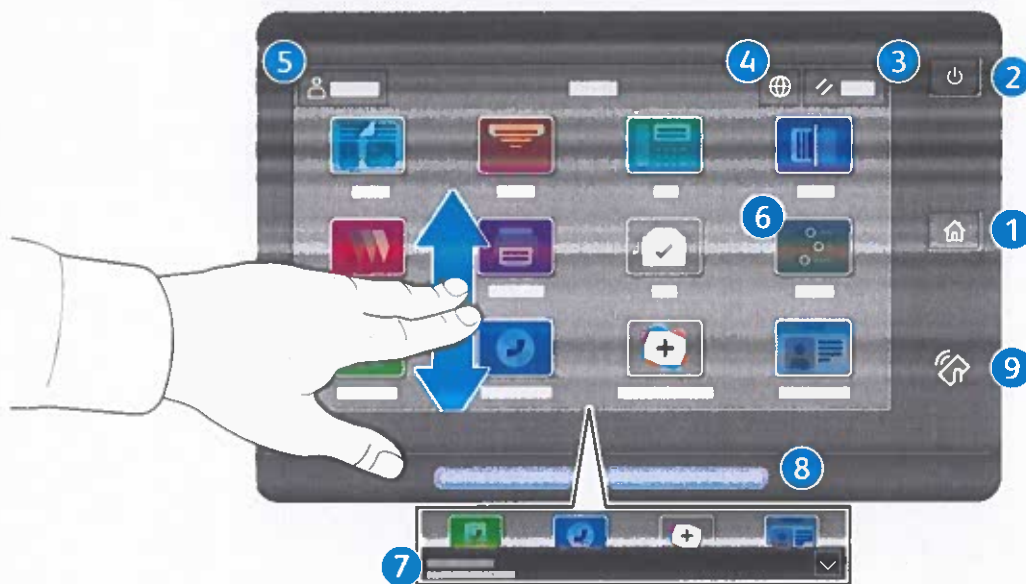






## Panel de control

Las aplicaciones disponibles pueden variar según la configuración de su impresora. Para más información sobre las aplicaciones y funciones, consulte la *Guía del usuario*.



- 1 Principal vuelve a la pantalla principal de aplicaciones.
- 2 Encendido/activación inicia la impresora o proporciona opciones de reposo, reinicio o apagado de la impresora.
- 3 Restaurar restaura las opciones a los valores prefijados en todas las aplicaciones.
- 4 Idioma ofrece opciones del idioma en la pantalla.
- 5 Conexión proporciona acceso a las herramientas y opciones.
- 6 Aplicación Dispositivo proporciona acceso a la información y los ajustes de la impresora.
- 7 El banner de notificaciones muestra el estado de la impresora y las advertencias. Para ver todas las notificaciones, toque el banner. Para cerrar el banner, toque la flecha abajo.
- 8 El LED de estado indica el estado de la impresora. Para obtener información más detallada, consulte la *Guía del usuario*.
- 9 Área NFC permite el emparejamiento con dispositivos móviles para imprimir o escanear desde una aplicación.

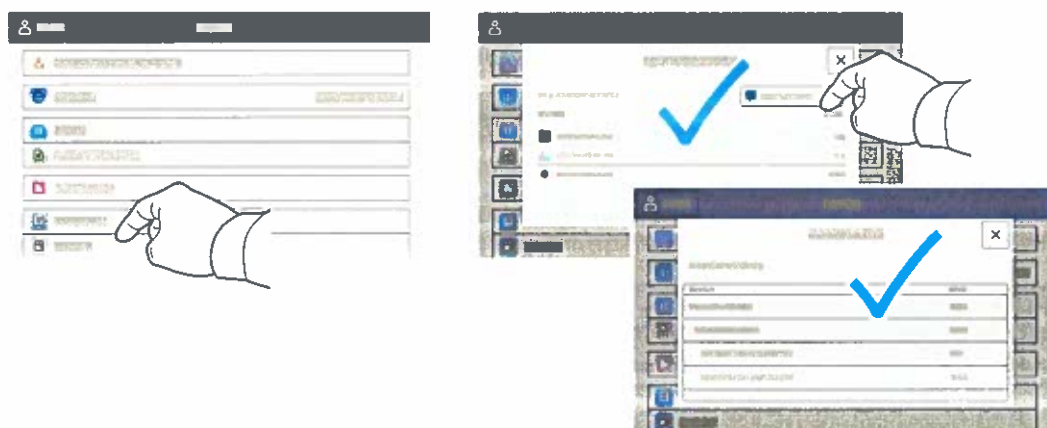
## Aplicación Dispositivo

La aplicación Dispositivo proporciona acceso al estado de los suministros, a la información de la impresora y a las opciones. Para utilizar algunos menús y opciones se debe conectar utilizando el nombre y la clave del administrador.



## Información de facturación y uso

En el menú de funciones Dispositivo, pulse **Facturación/Usos** para ver el número de impresiones básicas. Para ver el número de uso detallado, pulse **Contadores de uso**. La lista proporciona categorías detalladas del número de impresiones.

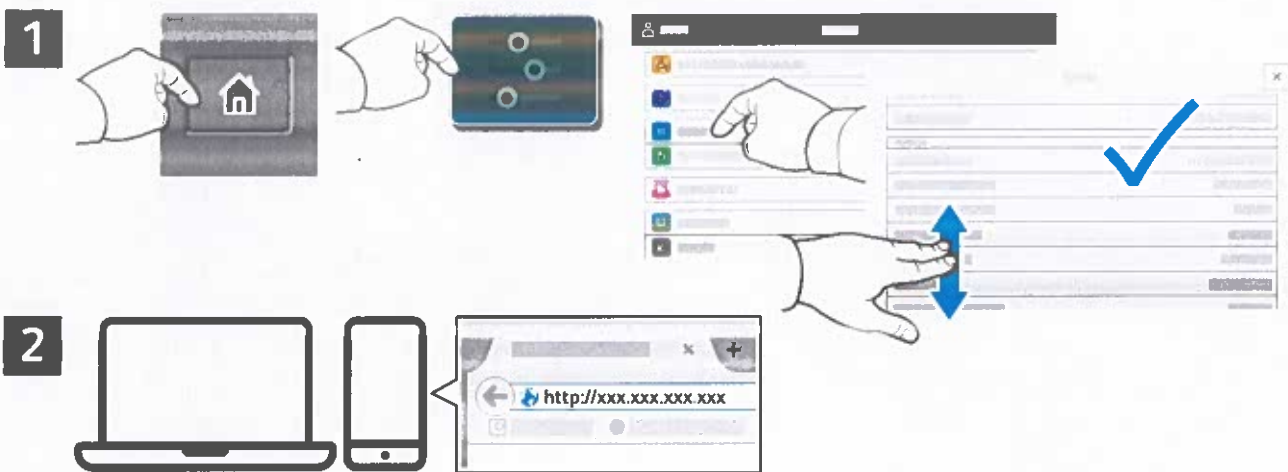


## Servidor web interno

El servidor web interno de Xerox® permite acceder a los datos de configuración de la impresora, el estado de consumibles y papel, el estado del trabajo y las funciones de diagnóstico a través de una red. También se pueden gestionar las libretas de direcciones, el correo electrónico y el fax.

Para conectarse desde un navegador web, escriba la dirección IP. La dirección IPv4 de la red está disponible en el panel de control táctil. Toque la aplicación **Dispositivo** > **Acerca de** y desplácese hacia abajo.

Para más información sobre el uso del servidor web interno, consulte la *Guía del usuario* en Xerox.com.



## Galería de aplicaciones

En Xerox App Gallery encontrará una amplia colección de aplicaciones de productividad que podrá instalar en su impresora. Busque la aplicación en la pantalla principal y cree su acceso directo o vaya a [www.xerox.com/appgallery](http://www.xerox.com/appgallery) para conectarse y agregar su dispositivo. Para simplificar la instalación de la aplicación, como identidad de conexión de la galería de aplicaciones utilice el mismo nombre que utilizó para conectarse a la impresora.



## Recorrido por la impresora

La configuración de su impresora puede contener accesorios opcionales. Para obtener más información, consulte la *Guía del usuario*.

Aumentador automático de documentos a dos caras de una sola pasada

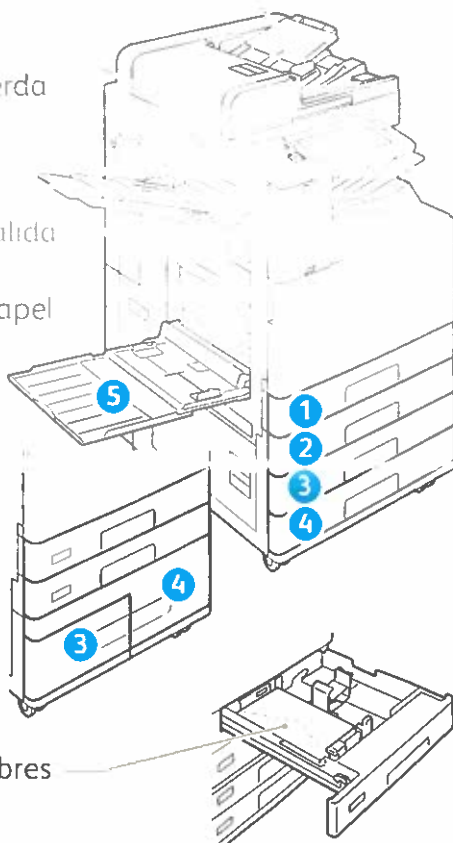
Puerto USB

Bandeja izquierda

Sensor de proximidad

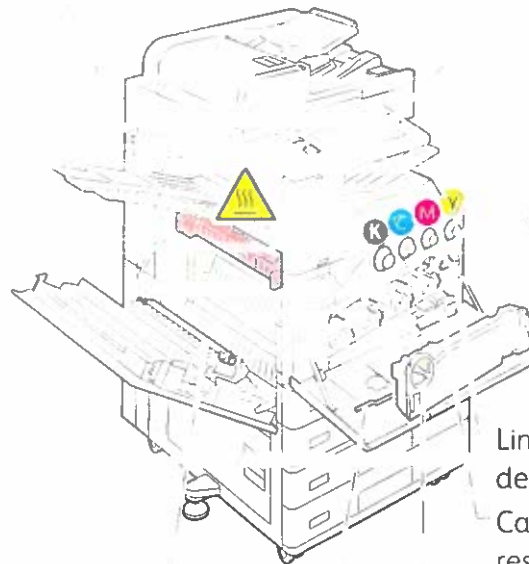
Bandejas de salida

Bandejas de papel



Bandeja de sobres

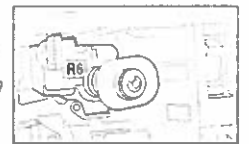
Filtro del ventilador (C8270)



Fusor

Cartuchos de tóner

Cartuchos de cilindro



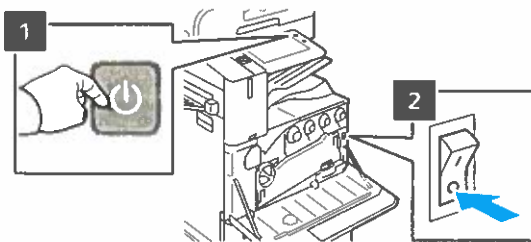
Limpiador de la correa de transferencia

Cartucho de residuos

Bloqueo del transporte de residuos

Limpiador de cabezal de impresión LED

Segundo rodillo de transferencia de polarización



Para reiniciar la impresora, en el panel de control, pulse el **interruptor de alimentación secundaria (1)**.

Para apagar la impresora completamente, pulse el **interruptor de alimentación secundaria (1)**. Detrás de la cubierta delantera, pulse el **interruptor de alimentación principal (2)**.

Para seleccionar el modo de reposo, pulse el **interruptor de alimentación secundaria (1)**. En la pantalla táctil del panel de control de la impresora, seleccione una opción.

## Manipulación del papel

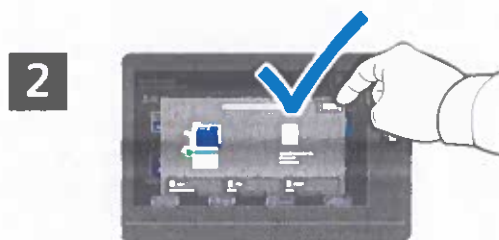
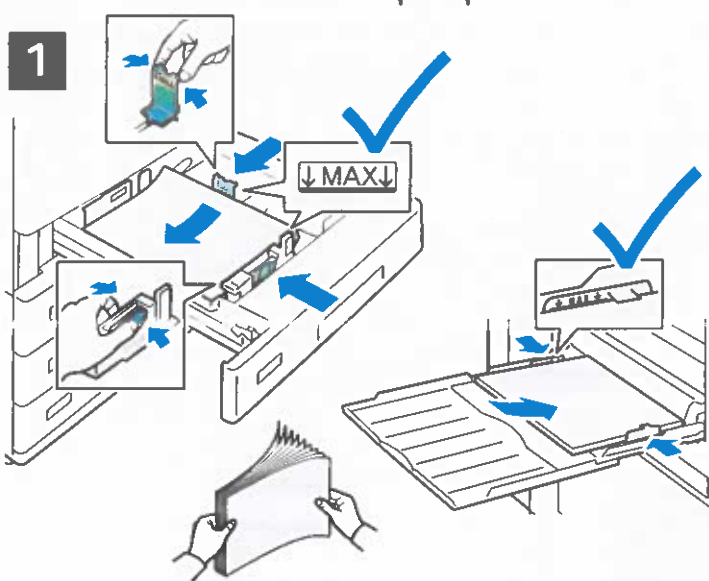
Para obtener una lista completa de los tipos de papel admitidos por su impresora, consulte Recommended Media List (Listado de soportes recomendados):

[www.xerox.com/rmlna](http://www.xerox.com/rmlna) (EE.UU. y Canadá)

[www.xerox.com/rmleu](http://www.xerox.com/rmleu) (Europa)

Para más información sobre las bandejas y el papel, consulte la *Guía del usuario*.

## Colocación del papel



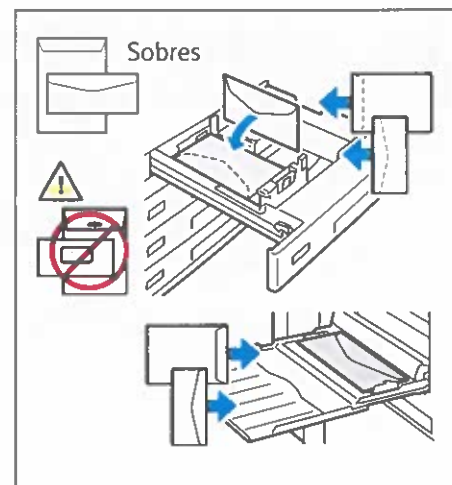
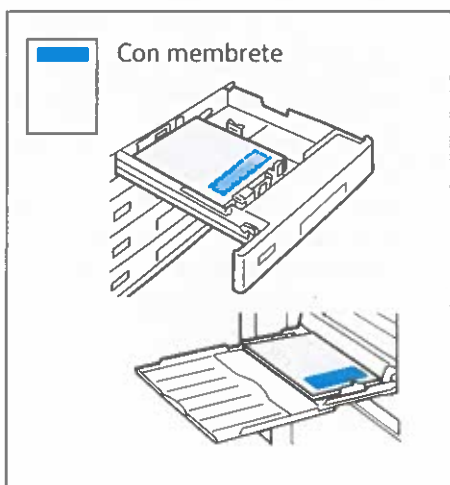
Confirme o cambie las opciones de tamaño y tipo de papel según proceda.



Al imprimir, seleccione las opciones en el controlador de impresión.

Para obtener los mejores resultados, airee los bordes del papel. Coloque las guías para que se ajusten al tamaño del papel. No coloque papel por encima de la línea de capacidad máxima.

## Orientación del papel



# Copia

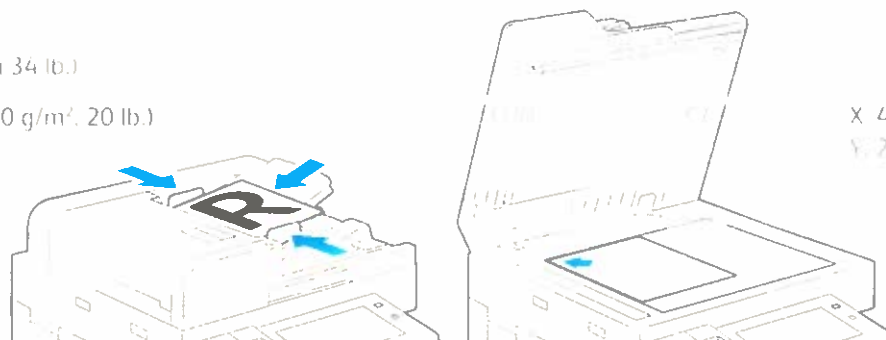
Para obtener más información, consulte la *Guía del usuario*.

**1**

X: 85–432 mm (3.3–17 pulg.)  
Y: 125–297 mm (4.9–11.7 pulg.)

38–128 g/m<sup>2</sup>  
(Bond de 26 lb. a 34 lb.)

<130 (Bond de 80 g/m<sup>2</sup>, 20 lb.)  
(C8270 <250)



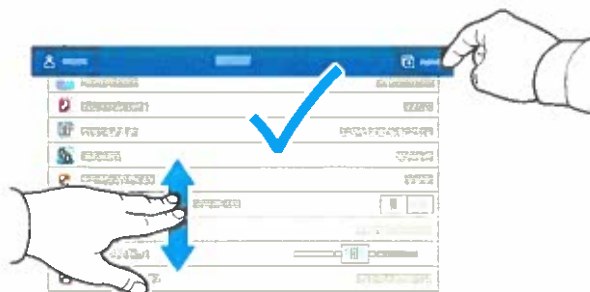
Coloque los documentos originales.

**2**



Pulse **Copiar** y seleccione el número de copias.

**3**



Seleccione las opciones de la función de la lista y pulse **Comenzar**.

Nota: las opciones de los usuarios anteriores se mantienen en la pantalla durante un breve periodo de tiempo. Para restablecer las opciones prefijadas en una aplicación, desplácese hasta la parte inferior de la lista y pulse **Restaurar**.

## Escaneado y envío por e-mail

Si la impresora se conecta a una red, puede seleccionar un destino para la imagen escaneada en el panel de control de la impresora.

En esta guía se definen los procedimientos para escanear documentos sin ninguna configuración especial previa:

- Escanear documentos y enviarlos a una dirección de envío e-mail.
- Escanear documentos y guardarlos en la carpeta de Favoritos, en un listado de la libreta de direcciones o en una unidad USB.
- Escanear documentos, guardarlos en la Carpeta pública prefijada en el disco duro de la impresora y recuperarlos a través de su navegador web.

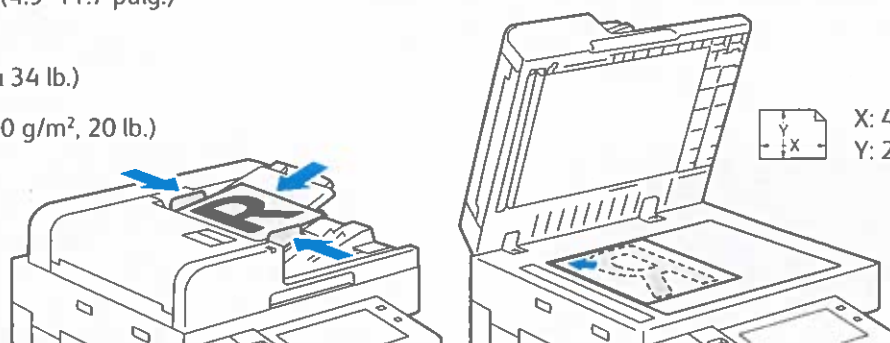
Para más información y configuraciones de escaneado, consulte la *Guía del usuario*. Para obtener detalles sobre la libreta de direcciones y la configuración de plantillas de flujo de trabajo, consulte la *Guía del administrador del sistema*.

1

X: 85–432 mm (3.3–17 pulg.)  
Y: 125–297 mm (4.9–11.7 pulg.)

38–128 g/m<sup>2</sup>  
(Bond de 26 lb. a 34 lb.)

≤130 (Bond de 80 g/m<sup>2</sup>, 20 lb.)  
C8270: ≤250



X: 432 mm (17 pulg.)  
Y: 297 mm (11.7 pulg.)

Coloque los documentos originales.

2



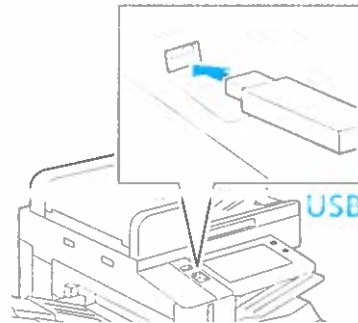
Pulse **Pantalla principal** y, para enviar la imagen escaneada por correo electrónico, toque **Correo electrónico**. Para escanear a la Carpeta pública predeterminada o a una unidad flash USB, toque **Escanear de trabajos**. Si su destino del escaneado está almacenado en la libreta de direcciones o está guardado como favorito, toque **Escanear a**.



En E mail, pulse **Entrada manual**, introduzca la dirección de e-mail utilizando el teclado de la pantalla táctil y, a continuación, pulse **Agregar**. Para agregar más de una dirección de e-mail, pulse **Agregar destinatario**. Para introducir el asunto del mensaje de e-mail, pulse **Asunto**. Para seleccionar las direcciones de e-mail guardadas, utilice la Libreta de direcciones del dispositivo o seleccione en Favoritos.

Para escaneado de trabajos, toque Carpeta pública predeterminada o inserte su unidad flash USB

Para Escanear a, seleccione un tipo de destino y, después, introduzca la información correspondiente. Para agregar más de un destino a la lista, seleccione **Agregar destino**



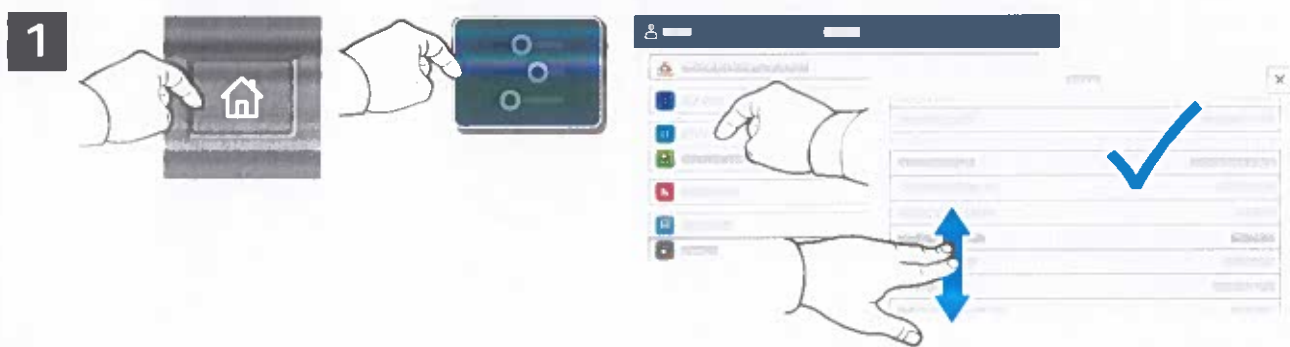
Modifique las opciones según sea preciso y, a continuación, pulse **Escanear** o para E-mail, pulse **Enviar**.



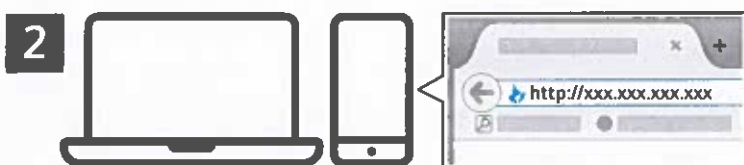
Nota: las opciones de los usuarios anteriores se mantienen en la pantalla durante un breve periodo de tiempo. Para restablecer las opciones prefijadas en una aplicación, desplácese hasta la parte inferior de la lista y pulse **Restaurar**.

# Recuperación de archivos de escaneado

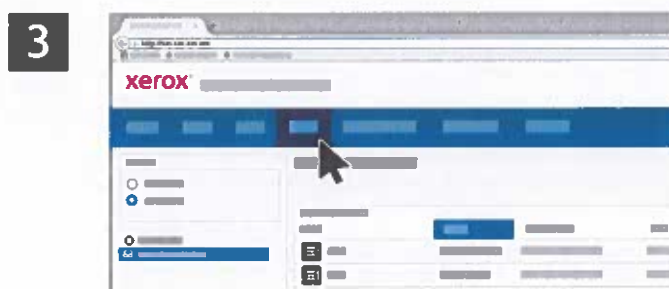
Para descargar las imágenes escaneadas desde la carpeta pública predeterminada a la impresora, utilice el Servidor web integrado. Puede configurar carpetas personales y plantillas de escaneado de trabajos en el Servidor web integrado. Para obtener información más detallada, consulte la *Guía del usuario*.



Compruebe la dirección IP de la impresora en la pantalla táctil. Si la dirección IP no aparece en la parte superior de la pantalla táctil, pulse Pantalla principal, toque **Dispositivo** > **Acerca de** y, a continuación, desplácese para comprobar la dirección IP.



Escriba la dirección IP de la impresora en el navegador web y, a continuación, pulse **Intro**.



Haga clic en la pestaña **Escanear**.

4

xerox



4.1



4.2



Seleccione la Carpeta pública predeterminada y busque su imagen escaneada en la lista. Para descargar la imagen escaneada, haga clic en **Ir**.



Para actualizar la lista, haga clic en **Actualizar vista**.



Para mover el archivo a su equipo, seleccione **Descargar**.

Seleccione **Reimprimir** para imprimir de nuevo el archivo guardado.

Seleccione **Eliminar** para eliminar completamente el trabajo guardado.

Para abrir un directorio, seleccione **Abrir**.

## Fax

Hay cuatro maneras distintas de enviar un fax:

- **Fax:** el documento se escanea y se envía directamente a una máquina de fax.
- **Fax de servidor:** el documento se escanea y se envía a un servidor de fax, que transmite el documento a una máquina de fax.
- **Fax de Internet:** el documento se escanea y se envía a través del e-mail a un destinatario.
- **Fax de LAN** envía el trabajo de impresión actual como fax.

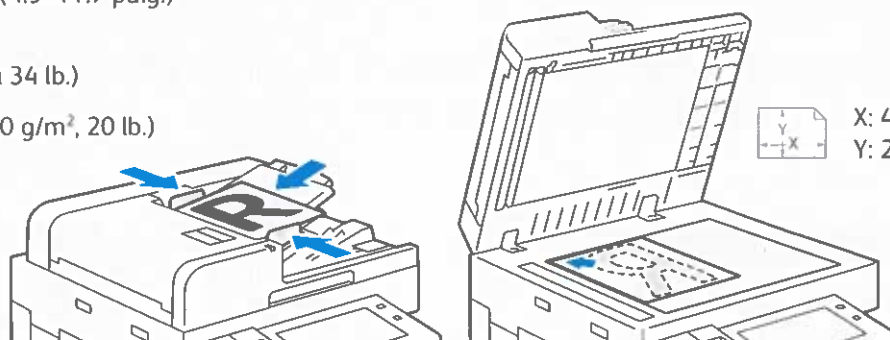
Para obtener más información, consulte la *Guía del usuario*. Si desea más información sobre Fax de LAN, consulte el software del controlador de impresión. Para obtener más información sobre la configuración y opciones avanzadas del fax, consulte la *Guía del administrador del sistema*.

1

X: 85–432 mm (3.3–17 pulg.)  
Y: 125–297 mm (4.9–11.7 pulg.)

38–128 g/m<sup>2</sup>  
(Bond de 26 lb. a 34 lb.)

≤130 (Bond de 80 g/m<sup>2</sup>, 20 lb.)  
C8270: ≤250



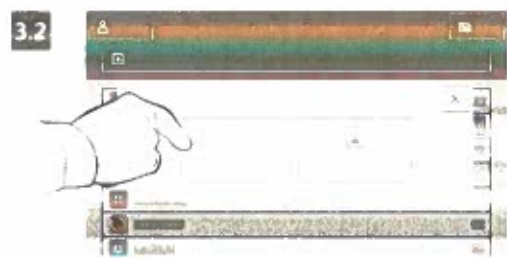
Coloque el documento original.

2



Para enviar el fax a una máquina de fax, pulse **Principal** y, a continuación, pulse **Fax** o **Fax de servidor**.

Para enviar el fax como documento adjunto, pulse **Principal** y, a continuación, pulse **Fax de internet**.



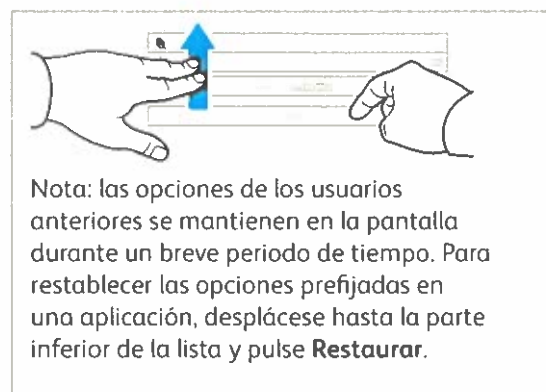
Para los números de fax, pulse **Entrada manual** y, a continuación, especifique el número de fax con las teclas alfanuméricas y caracteres especiales de la pantalla táctil. Pulse **Agregar**. Para agregar más números de fax a la lista, pulse **Agregar destinatario**.

Para introducir direcciones de e-mail de Fax de Internet, pulse **Entrada manual** e introduzca la dirección de e-mail utilizando el teclado de la pantalla táctil. Pulse **Agregar**. Para agregar más direcciones de e-mail a la lista, pulse **Agregar destinatario**.

Para seleccionar los números guardados, utilice la Libreta de direcciones del dispositivo o Favoritos. Para seleccionar las ubicaciones de faxes guardados, utilice Buzón o Sondeo.

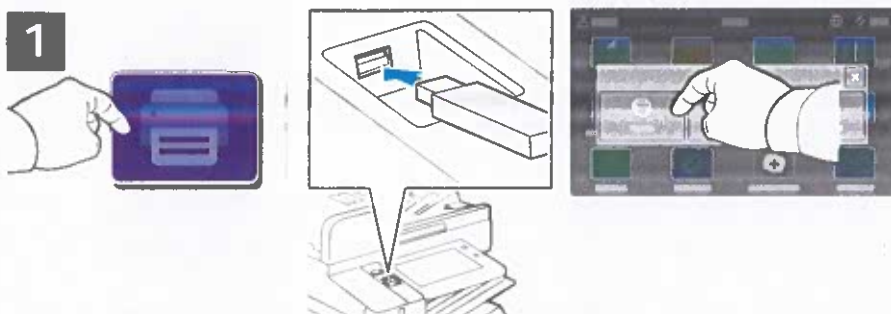


Cambie las opciones que sean necesarias y, a continuación, pulse **Enviar**.

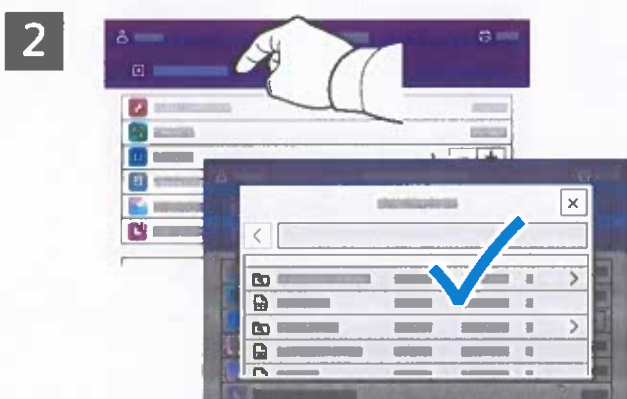


## Impresión desde una unidad USB

Puede imprimir archivos .pdf, .tiff, .ps, .xps y otros tipos directamente desde una unidad USB. Para más información, consulte la *Guía del usuario*.



Pulse **USB** o inserte la unidad flash USB y seleccione **Imprimir desde USB**.



Pulse **Agregar documento**, vaya a los archivos y selecciónelos.



Para seleccionar el número de copias, pulse el signo más (+) o el signo menos (-). Para grandes cantidades, pulse **Cantidad** e introduzca un número.



Seleccione las opciones que sean necesarias y, a continuación, pulse **Imprimir**.



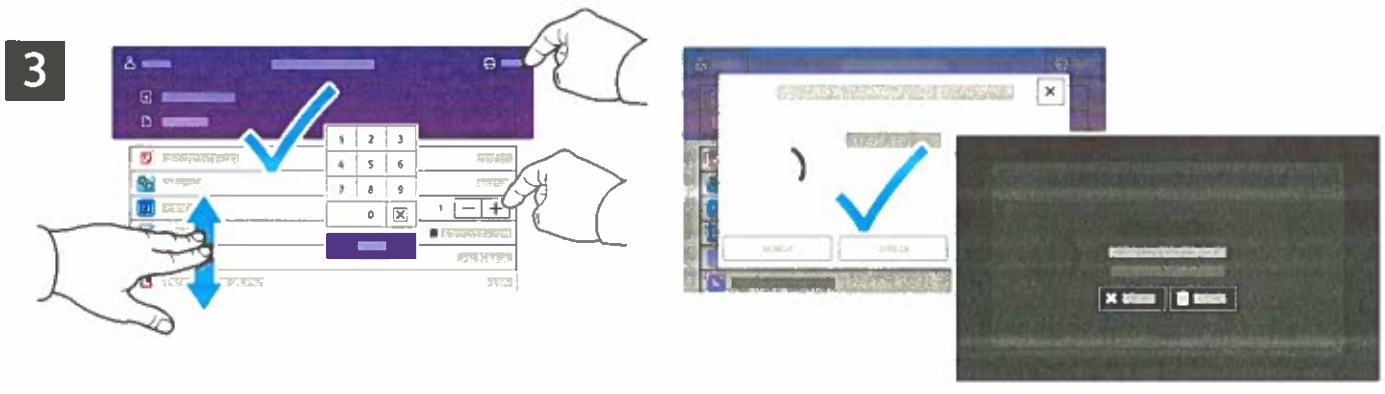
# Impresión de trabajos almacenados en la impresora



Se puede enviar un trabajo de impresión para guardarlo en la impresora y más adelante seleccionarlo desde el panel de control de la impresora para imprimirlo. Los trabajos se pueden guardar en una carpeta pública o protegerlos con clave. En el controlador de impresión Xerox, seleccione **Propiedades (Windows)** o **Funciones Xerox (Mac OS)** y después **Tipo de trabajo**. Seleccione **Trabajo guardado** o **Impresión protegida**. En **Impresión protegida**, introduzca una clave. Haga clic en **Aceptar** e imprima el trabajo.



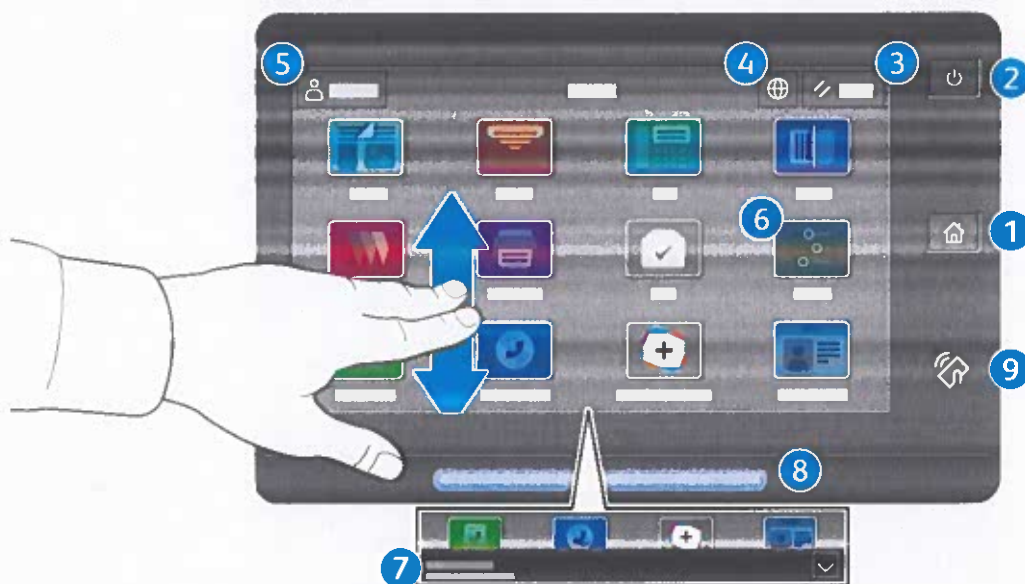
Pulse **Imprimir desde** y, a continuación, **Trabajos guardados**. Seleccione la **Carpeta pública prefijada** y, a continuación, seleccione el trabajo de impresión.



Seleccione las opciones en la lista. Para seleccionar el número de copias, pulse el signo más (+) o el signo menos (-). Para grandes cantidades, pulse **Cantidad** e introduzca un número. Pulse **Imprimir**. Para eliminar el trabajo, en la pantalla de impresión y en la pantalla de confirmación, pulse **Eliminar**.

## Betjeningspanel

Tilgængelige apps kan variere afhængig af printerens konfiguration. Se *betjeningsvejledningen* for udførlige oplysninger om apps og funktioner.



- 1** **Hjem** går tilbage til startskærmen for apps.
- 2** **Tænd/aktivering** starter printeren eller giver mulighed for at vælge dvaletilstand, genstart eller nedlukning af printeren.
- 3** **Nulstil** gendanner indstillingerne til deres standardværdier i alle apps.
- 4** **Sprog** giver muligheder for valg af skærmsprog.
- 5** **Log på** giver speciel adgang til værktøjer og indstillinger.
- 6** **Appen Enhed** giver adgang til printeroplysninger og -indstillinger.
- 7** **Meddelelsesbanner** viser printerstatus og advarsler. Tryk på banneret for at se alle meddelelser. Tryk på pil ned for at lukke banneret.
- 8** **Statuslysdioder** angiver printerens status. Se *betjeningsvejledningen* for udførlige oplysninger.
- 9** **NFC-område** gør det muligt at parre maskinen med en mobilenhed for at udskrive eller scanne fra en app.

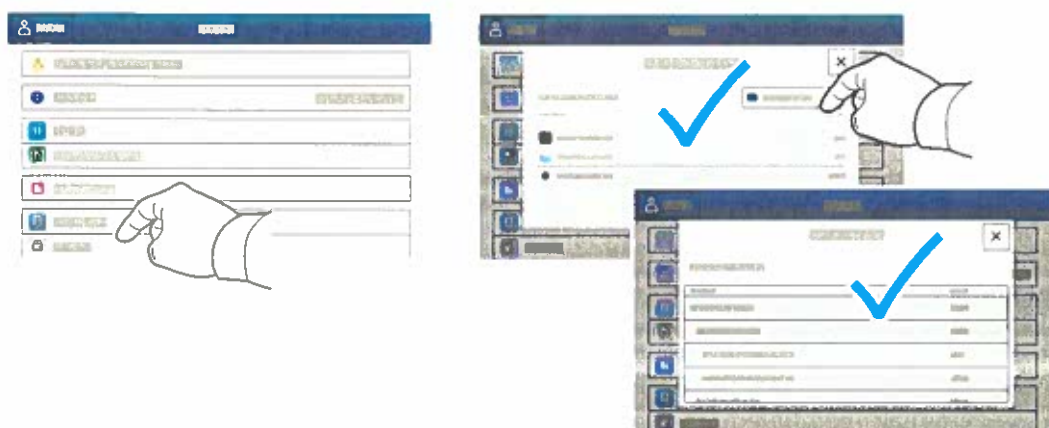
## Appen Enhed

Appen Enhed giver adgang til oplysninger om forbrugsstoffer, printeren og indstillinger. Visse menuer og indstillinger kræver, at der logges på med administratornavn og adgangskode.



## Oplysninger om kontering og anvendelse

Hvis du vil se en oversigt over tælling skal du trykke på **Kontering/anvendelse** i menuen Enhed. Tryk på **Konteringstællere** for at se detaljerede konteringsoplysninger. Listen indeholder detaljerede kategorier for tryktælling.



## Indbygget webserver

Med den indbyggede Xerox® webserver er der adgang til oplysninger om printerkonfigurationen, papir- og forbrugsstofstatus, opgavestatus og diagnosefunktioner på et netværk. Kan også anvendes til administration af faxnumre, e-mailadresser og adressebøger.

Opret forbindelse ved at indtaste printerens IP-adresse i en browser. Netværkets IPv4-adresse står på betjeningspanelet/berøringsskærmen. Tryk på app'en **Enhed** > **Om**, og rul ned.

Se *betjeningsvejledningen* på [Xerox.com](http://Xerox.com) for oplysninger om den indbyggede webserver.



## App Gallery

Xerox app galleriet har en voksende samling af produktivitetsapps, som du kan installere på din printer. Find app'en på din startskærm og opret din login direkte, eller gå til [www.xerox.com/appgallery](http://www.xerox.com/appgallery) for at logge på og tilføje din enhed. For at forenkle app installation skal du bruge det samme navn for dine app-galleri loginoplysninger, som du brugte til at logge på printeren.



[www.xerox.com/appgallery](http://www.xerox.com/appgallery)

## Oversigt over printer

Der kan allerede være installeret tilbehør på din printer. Se *betjeningsvejledningen* for udførlige oplysninger.

Automatisk 2-sidet dokumentførefører med en arbejdsgang (DADF)

USB-port

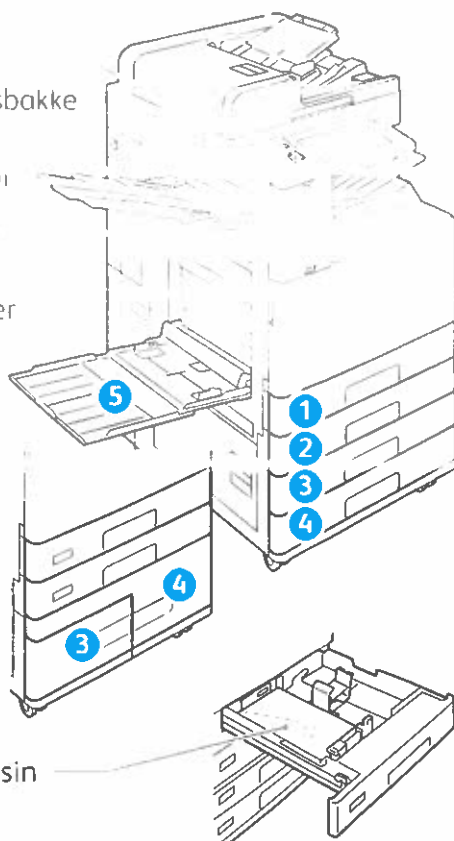
Venstre udfaldsbakke

Nærmessensor

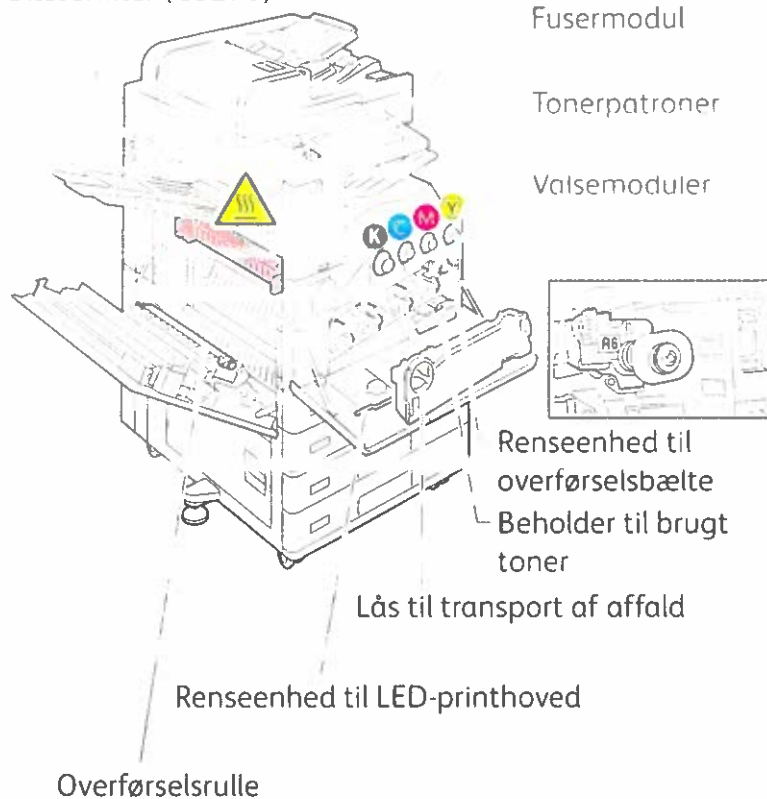
Udfaldsbakker

Papirmagasiner

Konvolutmagasin



Blæsefilter (C8270)



Fusermodul

Tonerpatroner

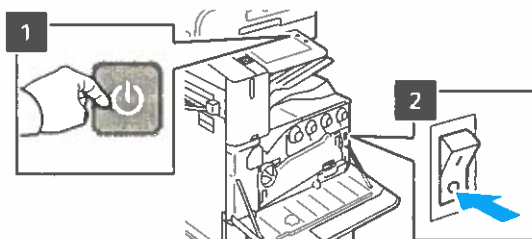
Valsemoduler

Renseenhed til  
overførselsbælte  
Beholder til brugt  
toner

Lås til transport af affald

Renseenhed til LED-printhoved

Overførselsrulle



Hvis du ønsker at genstarte printeren, skal du trykke på **den sekundære afbryderknop (1)** på betjeningspanelet.

Hvis du ønsker at slukke helt for printeren, skal du trykke på **den sekundære afbryderknop (1)**. Bag frontlågen skal du trykke på **hovedafbryderen (2)**.

Hvis du ønsker at vælge dvaletilstand, skal du trykke på **den sekundære afbryderknop (1)**. Foretag det ønskede valg på printerens berøringsskærm.

## Papirhåndtering

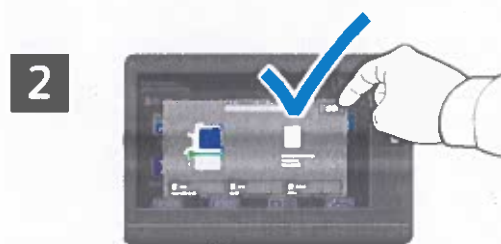
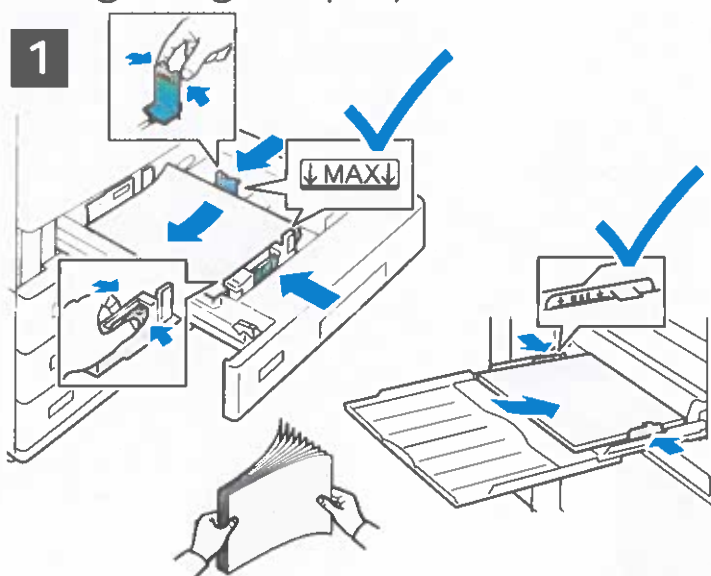
Hvis du ønsker at se en liste over de papirer, der kan anvendes i printeren, skal du gå til oversigten over anbefalede medier på:

[www.xerox.com/rmlna](http://www.xerox.com/rmlna) (USA og Canada)

[www.xerox.com/rmleu](http://www.xerox.com/rmleu) (Europa)

Se betjeningsvejledningen for udførlige oplysninger om magasiner og papir.

## Ilægning af papir



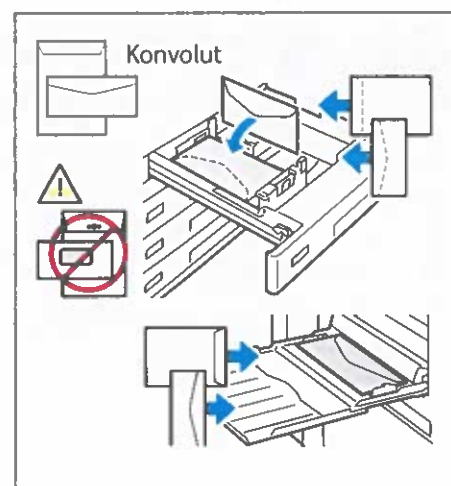
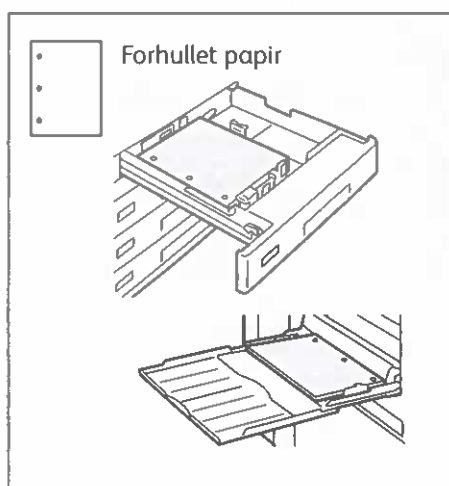
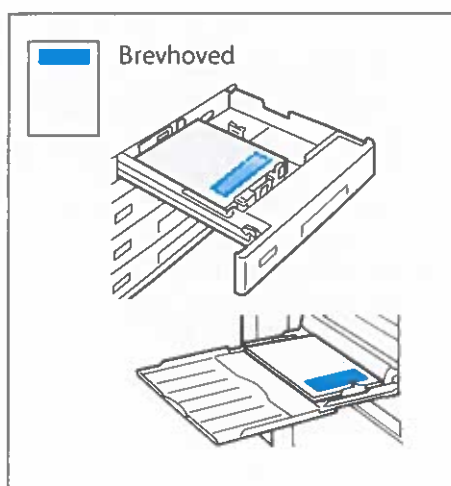
Bekræft eller rediger evt. indstillinger for format og type.



Vælg indstillinger i printerdriveren ved udskrivning.

Luft papirarkene langs kanten, så de ikke hænger sammen. Juster papirstyrene efter papirformatet. Ilæg ikke papir over maksimumlinjen i magasinet.

## Papirretning



# Kopiering

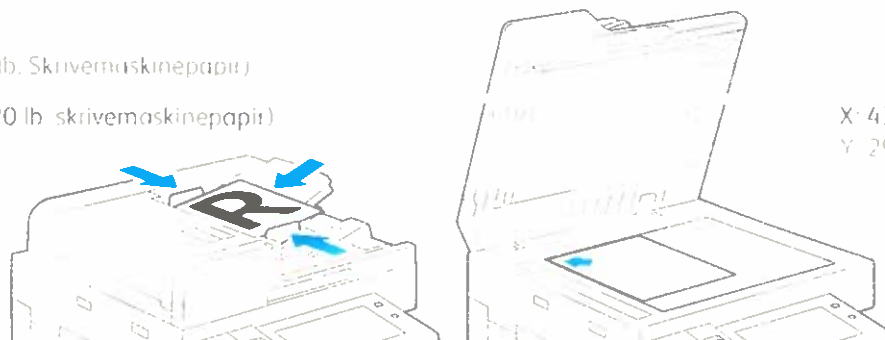
Se betjeningsvejledningen for udførlige oplysninger.

1

X: 85–432 mm (3,3–17")  
Y: 125–297 mm (4,9–11,7")

38–128 g/m<sup>2</sup>  
(26 lb. Tekst–34 lb. Skrivemaskinepapir)

≤130 (80 g/m<sup>2</sup>, 20 lb. skrivemaskinepapir)  
(C8270 <250)



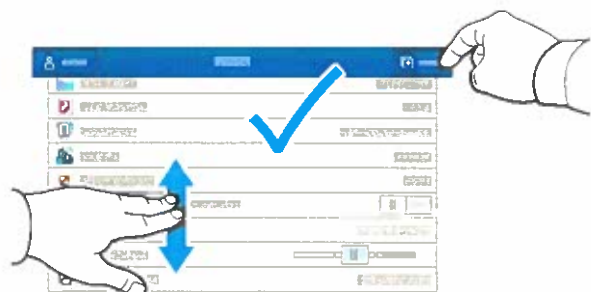
Læg originalerne i.

2



Tryk på **Kopiering**, og vælg det ønskede antal kopier.

3



Vælg funktionsindstillinger på listen, og tryk på **Start**.



Bemærk: Indstillinger fra tidligere brugere vises kortvarigt på skærmen. Hvis du vil genoprette standardindstillingerne i en app, skal du rulle til bunden af funktionslisten og trykke på **Nulstil**.

## Scanning og e-mail


Printeren er sluttet til et netværk, så du kan vælge en destination for det scannede billede på printerens betjeningspanel.


Denne vejledning definerer de teknikker, der anvendes til at scanne dokumenter uden klargøring af specielle indstillinger:

- Scanning af dokumenter til en e-mailadresse.
- Scanning af dokumenter til en gemt favorit, adressebogsadresse eller USB-flashdrev.
- Scanner dokumenter til den fælles standardmappe på printerens harddisk og henter dem vha. din webbrowser.

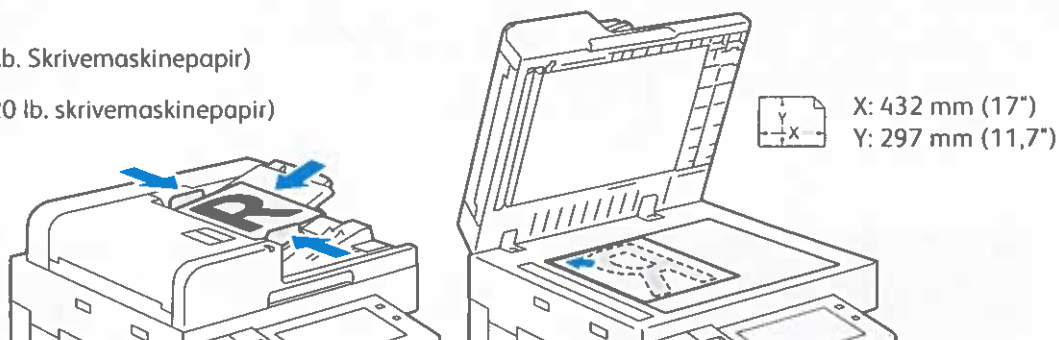
Se *betjeningsvejledningen* for udførlige oplysninger om scanningsindstillinger. Se *System Administrator Guide (Systemadministratorvejledning)* for oplysninger om indstilling af adressebog og arbejdsdiagram.

1

 X: 85–432 mm (3,3–17")  
Y: 125–297 mm (4,9–11,7")

 38–128 g/m<sup>2</sup>  
(26 lb. Tekst–34 lb. Skrivemaskinepapir)

 ≤130 (80 g/m<sup>2</sup>, 20 lb. skrivemaskinepapir)  
C8270: ≤250



Læg originalerne i.

2



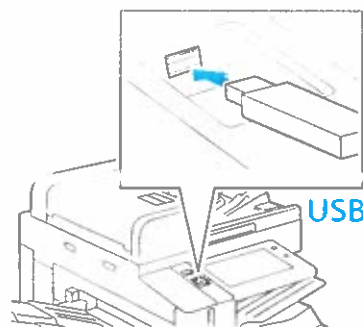
Tryk på **Startskærm** og derefter på **E-mail** for at e-maile scanningen. Tryk på **Scanning af arbejdsdiagram** for at scanne til den offentlige standardmappe eller et USB-flashdrev. Tryk på **Scan til**, hvis din scanningsdestination er gemt i adressebogen eller gemt som en favorit.



Under E-mail skal du trykke på Manuel indtastning, indtast derefter e-mailadressen vha tastaturet på berøringsskærmen, og tryk dernæst på **Tilføj**. Tryk på **Tilføj modtager**, hvis du vil tilføje flere e-mailadresser til listen. Tryk på **Emne**, hvis du ønsker at indtaste en emnelinje for denne e-mail. Brug maskinens adressebog eller vælg fra favoritterne for at vælge gemte e-mailadresser.



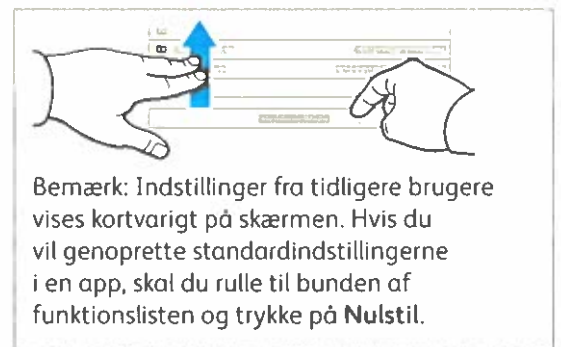
For Scanning af arbejdsdiagram skal du trykke på **Offentlig standardmappe** eller indsætte dit USB-flashdrev



For Scan til skal du trykke på en destinationstype og derefter indtaste de relevante oplysninger. Hvis du vil tilføje mere end en destination til listen, skal du trykke på **Tilføj destination**



Foretag de ønskede ændringer, og tryk derefter på **Scan** eller på **Send** for E-mail.



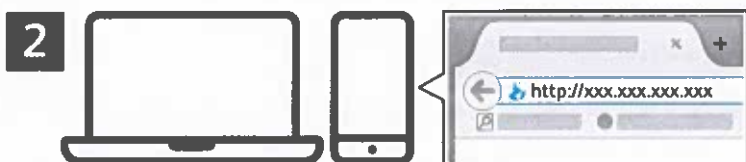
Bemærk: Indstillinger fra tidligere brugere vises kortvarigt på skærmen. Hvis du vil genoprette standardindstillingerne i en app, skal du rulle til bunden af funktionslisten og trykke på **Nulstil**.

# Hentning af scanningsfiler

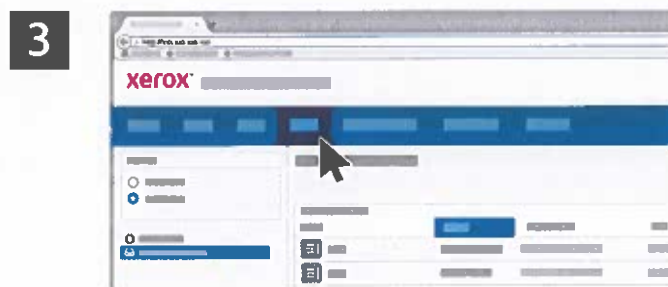
Brug den integrerede webserver, hvis du vil downloade dine scannede billeder fra den offentlige standardmappe på printeren. Du kan oprette personlige mapper og skabeloner for scanning af arbejdsdiagram i den integrerede webserver. Se *betjeningsvejledningen* for udførlige oplysninger.



Noter printerens IP-adresse på berøringskærmen. Hvis IP-adressen ikke vises øverst til venstre på skærmen, skal du trykke på **Hjem** og derefter på **Enhed > Om** og rulle ned for at se IP-adressen.



Indtast printerens IP-adresse i en webbrowser og tryk på **Accept** eller **Tilbage**.



Klik på fanen **Scan**.

4

xerox



Vælg den offentlige standardmappe, og find derefter din scanning på listen. Klik på **Gå** for at downloade scanningen



Klik på **Opdater visning** for at genopfriske listen.



Vælg **Download** for at gemme filen på din computer.  
Vælg **Genudskriv** til at udskrive den gemte fil igen.  
Vælg **Slet** for at slette den gemte opgave permanent.  
Vælg **Åbn** for at åbne en mappe.


## Fax

Du kan sende en fax på fire måder:

- **Fax** scanner dokumentet, og sender det derefter direkte til en faxmaskine.
- **Serverfax** scanner dokumentet og sender det til en faxserver, der overfører dokumentet til en faxmaskine.
- **Internetfax** scanner dokumentet og sender det derefter i en e-mail til en modtager.
- **LAN-fax** sender den aktuelle udskrivningsopgave som en fax.

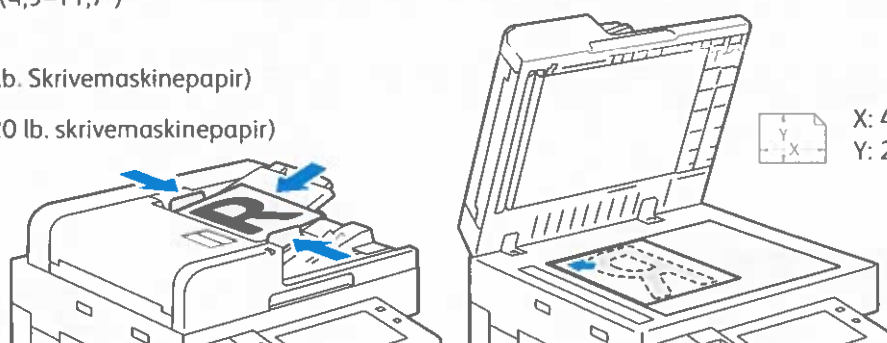
Se *betjeningsvejledningen* for udførlige oplysninger. Se printerdriversoftware for flere oplysninger om LAN-fax. Se *System Administrator Guide (Systemadministratorvejledning)* for oplysninger om indstilling af fax og avancerede indstillinger.

1

 X: 85–432 mm (3,3–17")  
Y: 125–297 mm (4,9–11,7")

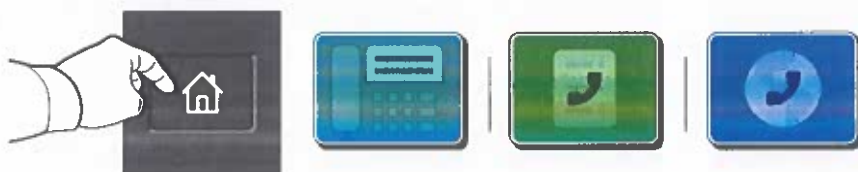
 38–128 g/m<sup>2</sup>  
(26 lb. Tekst–34 lb. Skrivemaskinepapir)

 ≤130 (80 g/m<sup>2</sup>, 20 lb. skrivemaskinepapir)  
C8270: ≤250



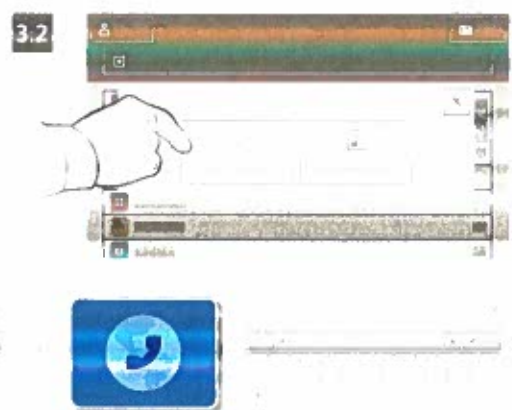
Læg originalen i.

2



Hvis du vil sende faxen til en faxmaskine, skal du trykke på **Hjem** og derefter **Fax** eller **Serverfax**.

Hvis du vil sende faxen som en vedhæftning til en e-mail, skal du trykke på **Hjem** og derefter på **Internetfax**.



For faxnumre skal du trykke på **Manuel indtastning** og derefter indtaste faxnummeret vha. de alfanumeriske taster og specialtegn på berøringskærmen. Tryk på **Tilføj**. Tryk på **Tilføj modtager**, hvis du vil tilføje flere faxnumre til listen.

For Internetfax-e-mail-adresser skal du trykke på **Manuel indtastning** og derefter indtaste e-mailadressen vha. tastaturet på skærmen. Tryk på **Tilføj**. Tryk på **Tilføj modtager**, hvis du vil tilføje flere e-mailadresser til listen.

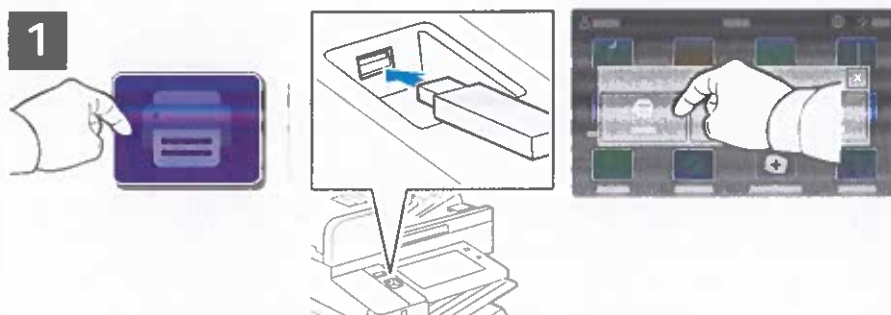
Brug maskinens adressebog eller vælg fra favoritterne for at vælge gemte numre. Vælg Postboks eller Polling for at vælge gemte faxplaceringer.



Rediger indstillinger alt efter behov, tryk derefter på **Send**.

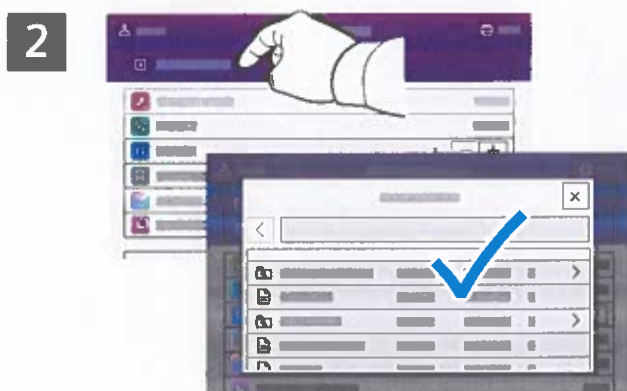
## Udskrivning fra et USB-flashdrev

Du kan udskrive .pdf-, .tiff-, .ps-, .xps- og andre filtyper direkte fra et USB-flashdrev. Se *betjeningsvejledningen* for udførlige oplysninger.



Fjern ikke USB-flashdrevet under læsning. Filer kan blive ødelagt.

Tryk på **Udskriv fra** eller isæt USB-flashdrevet, og vælg derefter **Udskriv fra USB**.



Tryk på plus-tegnet (+) eller minus-tegnet (-) for at indtaste kopiantallet. Hvis du ønsker mange kopier, skal du trykke på **Antal** og indtaste et tal.

Tryk på **Tilføj dokument**, gå til de ønskede filer, og vælg dem.



Vælg de ønskede indstillinger, tryk derefter på **Udskriv**.



Bemærk: Indstillinger fra tidligere brugere vises kortvarigt på skærmen. Hvis du vil genoprette standardindstillingerne i en app, skal du rulle til bunden af funktionslisten og trykke på **Nulstil**.

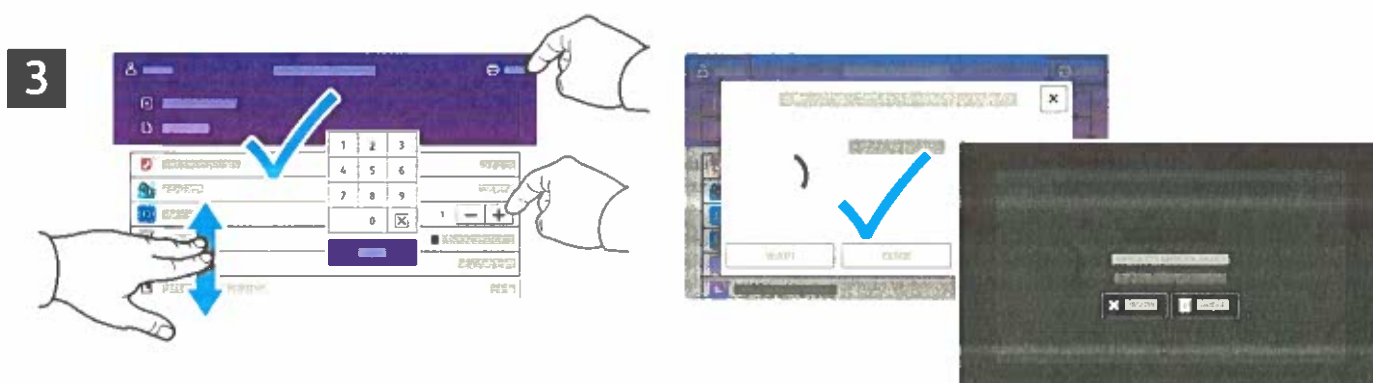
## Udskrivning af opgaver, der er gemt på printeren



Du kan sende en udskrivningsopgave, gemme den på printeren og derefter vælge opgaven på printerens betjeningspanel for at udskrive den senere. Opgaver kan gemmes i den offentlige mappe eller beskyttes med adgangskode. I Xerox' printerdriveren skal du vælge **Egenskaber** (Windows) eller **Xerox-funktioner** (Mac OS) og derefter **Opgavetype**. Vælg **Gemt opgave** eller **Fortrolig udskrivning**. For Fortrolig udskrivning skal der indtastes en adgangskode. Klik på OK og udskriv opgaven.



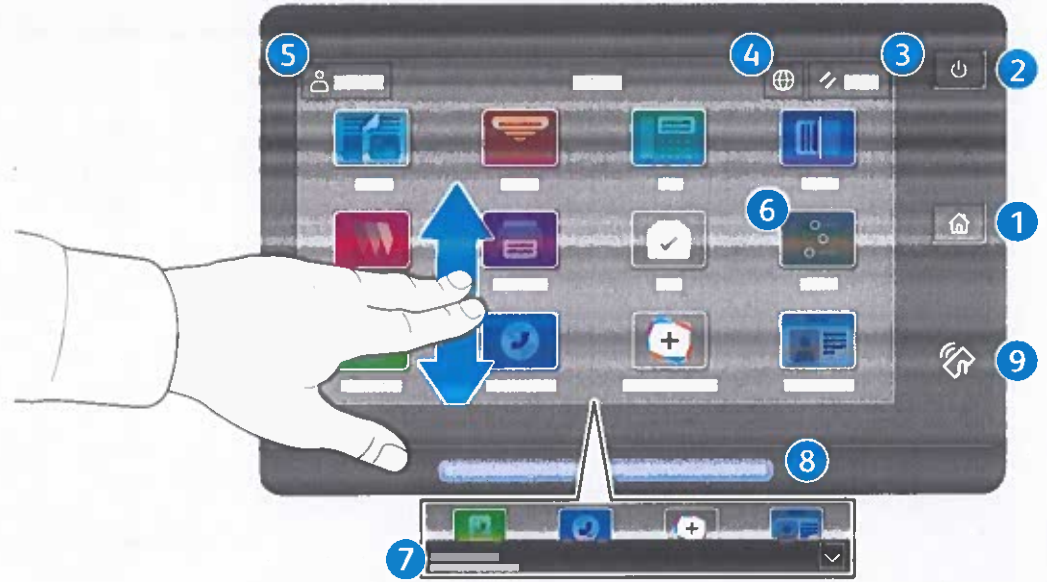
Tryk på **Udskriv fra** og derefter på **Gemte opgaver**. Vælg den **offentlige standardmappe**, og vælg derefter din udskrivningsopgave.



Vælg indstillinger fra listen. Tryk på plus-tegnet (+) eller minus-tegnet (-) for at indtaste kopiantallet. Hvis du ønsker mange kopier, skal du trykke på **Antal** og indtaste et tal. Tryk på **Udskriv**. Tryk på **Slet** på udskrivningsskærmen og bekræftelsesskærmen for at slette opgaven.

## لوحة التحكم

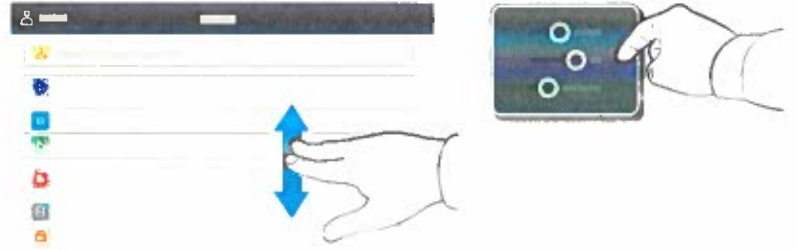
قد تختلف التطبيقات المتاحة استنادًا إلى إعداد الطابعة. للاطلاع على تفاصيل حول التطبيقات والميزات، ارجع إلى دليل المستخدم.



- 1 الصفحة الرئيسية للرجوع إلى شاشة التطبيقات الرئيسية.
- 2 طاقة/تنشيط لبدء تشغيل الطابعة أو توفير خيارات سكون الطابعة أو إعادة تشغيلها أو إيقاف تشغيلها.
- 3 إعادة تعيين لاستعادة الإعدادات إلى قيمها الافتراضية في جميع التطبيقات.
- 4 اللغة لتوفير اختيار لغات الشاشة.
- 5 تسجيل الدخول لتوفير وصول خاص إلى الأدوات والإعدادات.
- 6 تطبيق الجهاز الوصول إلى معلومات الطابعة والإعدادات.
- 7 شعار الإعلام يُظهر حالة الطابعة والتحذيرات. لمشاهدة جميع الإعلامات، المس الشعار. لإغلاق الشعار، المس السهم لأسفل.
- 8 حالة Status تشير إلى حالة الطابعة. للحصول على معلومات تفصيلية، ارجع إلى دليل المستخدم.
- 9 منطقة NFC للسماح بالإقران مع جهاز محمول للطباعة أو المسح الضوئي من تطبيق.

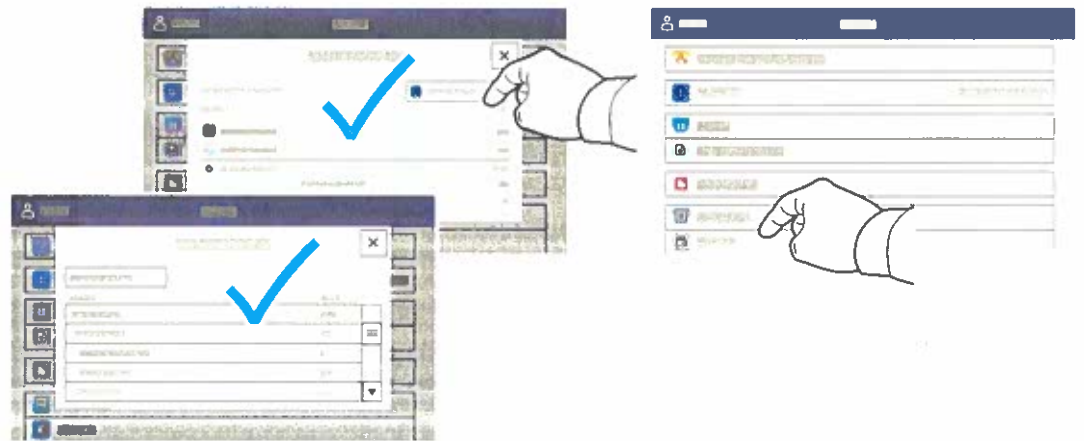
## تطبيق الجهاز

يوفر تطبيق الأجهزة الوصول إلى حالة المستلزمات ومعلومات الطابعة والإعدادات. تتطلب بعض الفوائم والإعدادات تسجيل الدخول باستخدام اسم المستخدم وكلمة المرور.



## معلومات الفوترة والاستخدام

من قائمة ميزات الجهاز، لعرض أعداد المطبوعات الأساسية، المس الفوترة/الاستخدام. لعرض أعداد الاستخدام التفصيلية، المس إعدادات الاستخدام. توفر القائمة فئات أعداد المطبوعات التفصيلية.

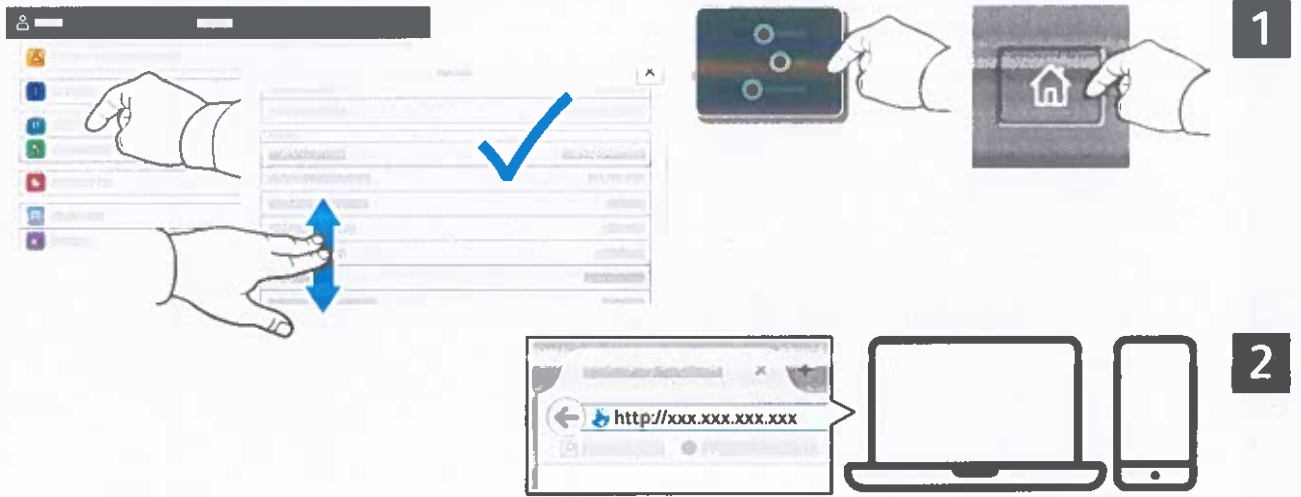


## خادم الويب المضمن

خادم الويب المضمن Xerox® الوصول إلى تفاصيل تكوين الطابعة، والورق وحالة المستلزمات وحالة المهمة ووظائف التشخيص عبر الشبكة. يمكنك أيضا إدارة الفاكس والبريد الإلكتروني ودفتر العناوين.

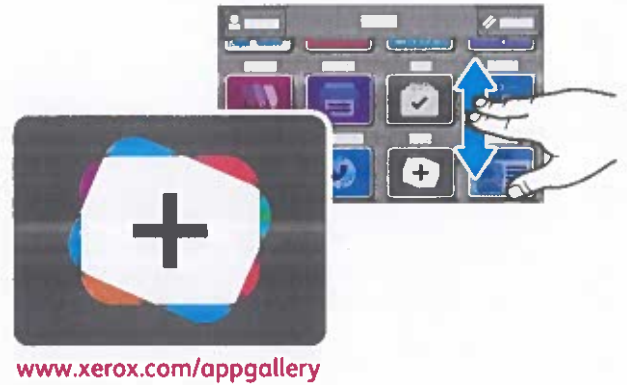
للاصطال، في مستعرض الويب، اكتب عنوان IP للطابعة. يتوفر عنوان IPv4 الخاص بالشبكة على شاشة التمس بلوحة التحكم. اتمس الجهاز التطبيقات < حول، ثم قم بالتمرير لأسفل.

للاطلاع على تفاصيل حول استخدام خادم الويب المضمن، ارجع إلى دليل المستخدم الموجود على [Xerox.com](http://Xerox.com).



## معرض التطبيقات

يحتوي تطبيق Xerox® App Gallery على مجموعة كبيرة من تطبيقات الإنتاجية التي يمكن تثبيتها على الطابعة. حدد التطبيق على الشاشة الرئيسية وأنشئ تسجيل الدخول مباشرة، أو انتقل إلى [www.xerox.com/appgallery](http://www.xerox.com/appgallery) لتسجيل الدخول وإضافة الجهاز. لتبسيط عملية تثبيت التطبيق، استخدم نفس الاسم لبيانات اعتماد تسجيل دخول معرض التطبيقات التي استخدمتها لتسجيل دخول الطابعة.



[www.xerox.com/appgallery](http://www.xerox.com/appgallery)

## جولة الطابعة

قد تكون المنحفات الاختيارية جزءاً من اعداد الطابعة. للاطلاع على التفاصيل ارجع الى دليل المستخدم.

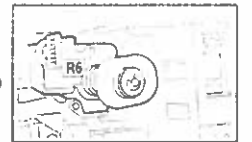
وحدة الصير

مرشح المروحة (C8270)

وحدة الصير

حراصت مسحة الحبر

حراصت الاسطوانة



منظف حزام النقل

خرطوشة النفايات

قفل نقل المخلفات

منظف رأس طباعة LED

بكرة نقل الإزاحة الثانية

منفذ USB

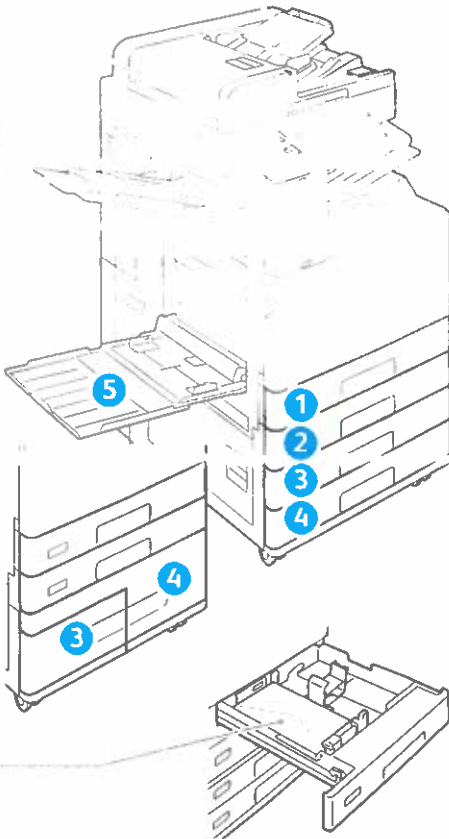
الذراع الأيسر

أداة المشغول

القفاز

الذراع الأيمن

الذراع الورق



درج الأطراف

إعادة تشغيل الطابعة، من لوحة التحكم، اضغط على مفتاح الطاقة الثانوي (1).

لإيقاف تشغيل الطابعة تماماً، اضغط على مفتاح الطاقة الثانوي (1). خلف الغطاء الأمامي، اضغط على مفتاح الطاقة الرئيسي (2).

لتحديد وضع السكون، اضغط على مفتاح الطاقة الثانوي (1). على شاشة لمس لوحة التحكم بالطابعة، المس أي تحديد.

## معالجة الورق

للحصول على قائمة كاملة بأنواع الورق التي تعمل مع الطابعة، انظر Recommended Media List (قائمة الوسائط المفضلة) على الموقع:

(الولايات المتحدة وكندا) [www.xerox.com/rmlna](http://www.xerox.com/rmlna)

(أوروبا) [www.xerox.com/rmlEU](http://www.xerox.com/rmlEU)

للاطلاع على تفاصيل حول الأدرج والورق، ارجع إلى دليل المستخدم.

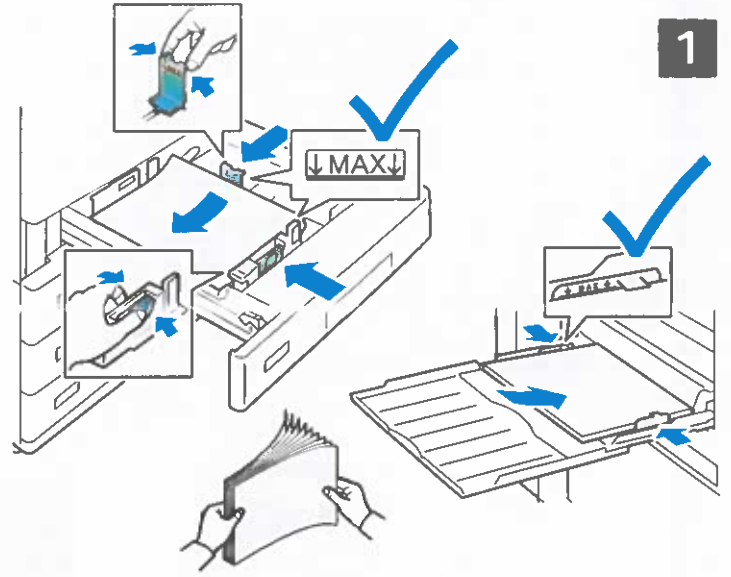
## تحميل الورق



قم بتأكيد أو تغيير إعدادات الحجم والنوع إذا لزم الأمر.

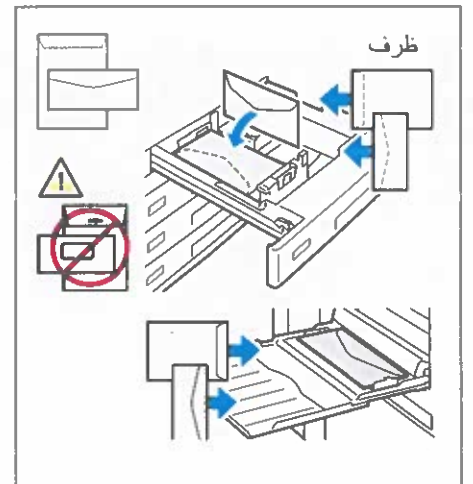
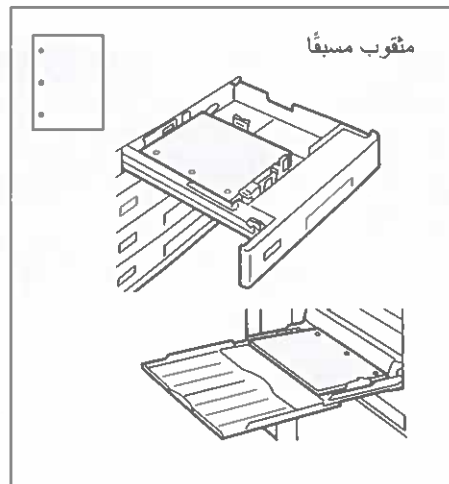
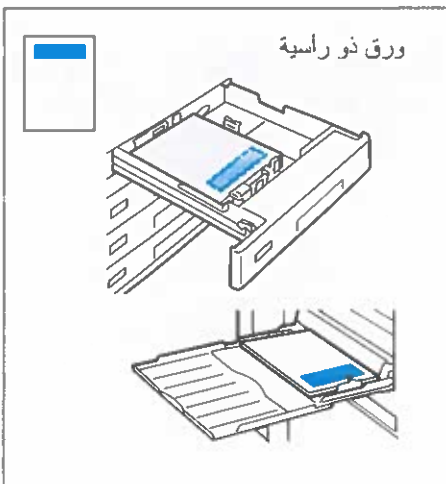


في أثناء الطباعة، حدد الخيارات في برنامج تشغيل الطابعة.



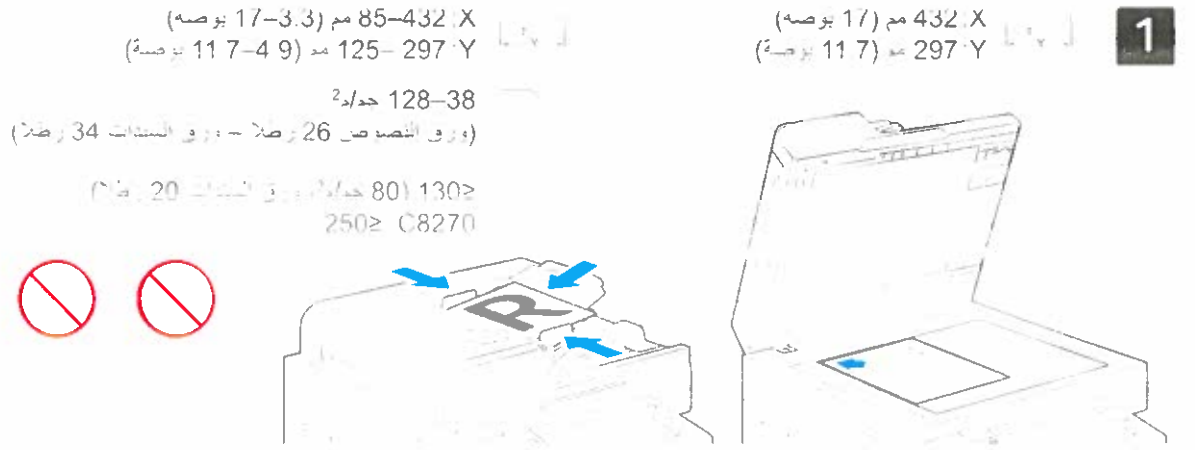
للحصول على أفضل النتائج، قم بالنفخ في أحرف الورق. اضبط الموجهات لتناسب حجم الورق. لا تقم بتحميل الورق فوق الحد الأقصى لخط الملء.

## اتجاه الورق



## النسخ

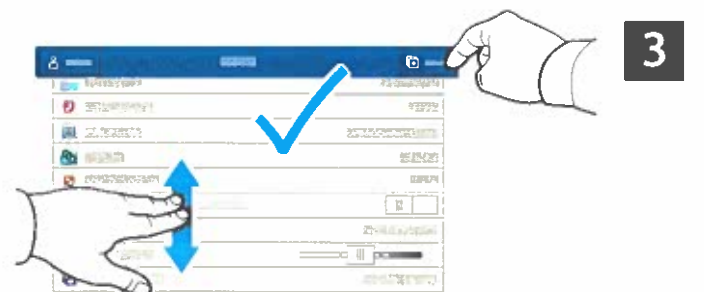
للاطلاع على التفاصيل، ارجع إلى دليل المستخدم.



قم بتحميل المستندات الأصلية.



المس نسخ، ثم حدد عدد النسخ.



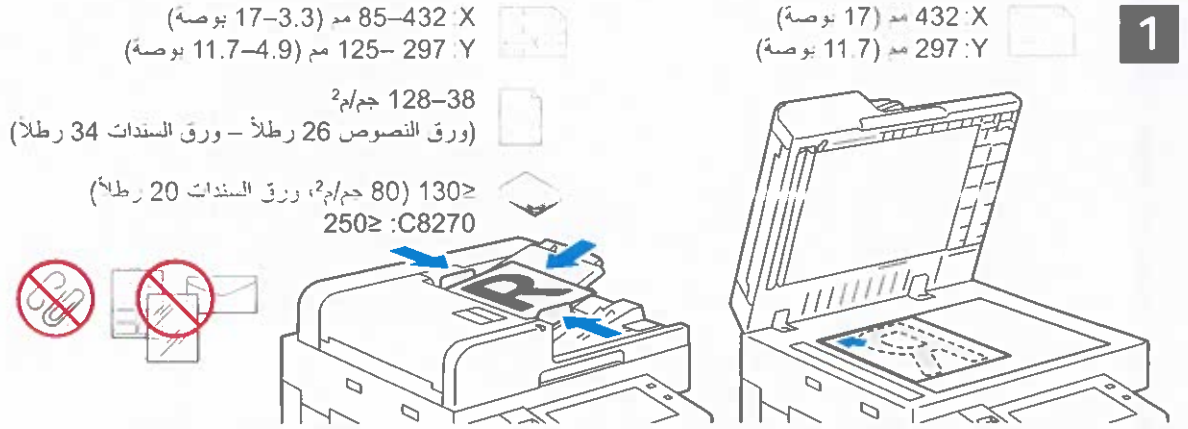
حدد إعدادات الميزة من القائمة، ثم المس بدء.

## المسح الضوئي وإرسال البريد الإلكتروني

إذا كانت الطابعة متصلة بشبكة، فيمكنك تحديد وجهة للصورة الممسوحة ضوئياً على لوحة التحكم بالطابعة.

يحدد هذا الدليل أساليب مسح المستندات ضوئياً دون الحاجة إلى عمل إعدادات خاصة:

- مسح المستندات ضوئياً إلى عنوان بريد إلكتروني.
  - المسح الضوئي للمستندات إلى Favorite (المفضلة) أو قائمة Address Book (دفتر العناوين) أو محرك أقراص USB المحمول.
  - المسح الضوئي للمستندات إلى المجلد العمومي الافتراضي على محرك القرص الثابت للطابعة واستعادتها باستخدام مستعرض الويب.
- للاطلاع على التفاصيل ومزيد من إعدادات المسح الضوئي، ارجع إلى User Guide (دليل المستخدم). للاطلاع على تفاصيل حول إعداد دفتر العناوين وقالب سير العمل، ارجع إلى System Administrator Guide (دليل مسؤول النظام).



قم بتحميل المستندات الأصلية.



اضغط على الصفحة الرئيسية، ثم لإرسال المسح الضوئي بالبريد الإلكتروني، المس البريد الإلكتروني. للمسح الضوئي إلى "المجلد العام الافتراضي" أو محرك أقراص USB محمول، المس مسح سير العمل ضوئياً. إذا كانت وجهة المسح الضوئي الخاصة بك مخزنة في دفتر العناوين أو تم حفظها كمفضلة، المس المسح الضوئي إلى.



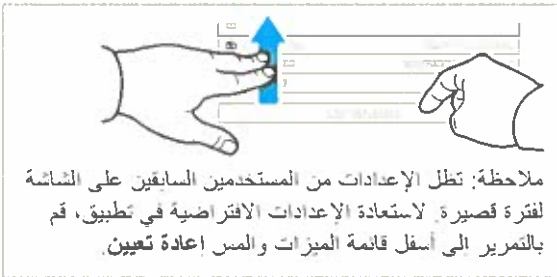
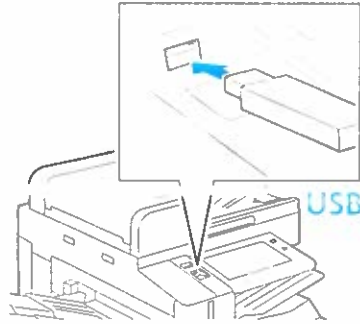
في وضع (Scan To) في وضع  
 البحث عن الوجه غير متاحة (تحت  
 علامة تفاصيل). فليس الزر متاح بعد  
 Add - Scan To (تدج: تفاصيل)  
 Destination (تدج: تفاصيل)



لمس زر (تدج: تفاصيل). المس المجلد العام  
 الافتراضي (تدج: تفاصيل) لإرسال  
 محدد



البريد الإلكتروني، المس الدخال يدوي، ثم  
 المس زر (تدج: تفاصيل) لإرسال  
 مرفق (تدج: تفاصيل) أو المس إضافة لإضافة  
 مرفق من غير (تدج: تفاصيل) في القائمة،  
 المس إضافة مستند كذاتة سطر موضوع  
 البريد، المس الموضوع لتحديد عنوان بريد  
 إلكتروني محفوظة، استخدام دفتر عناوين  
 الجهاز أو حدد من المفضلة.



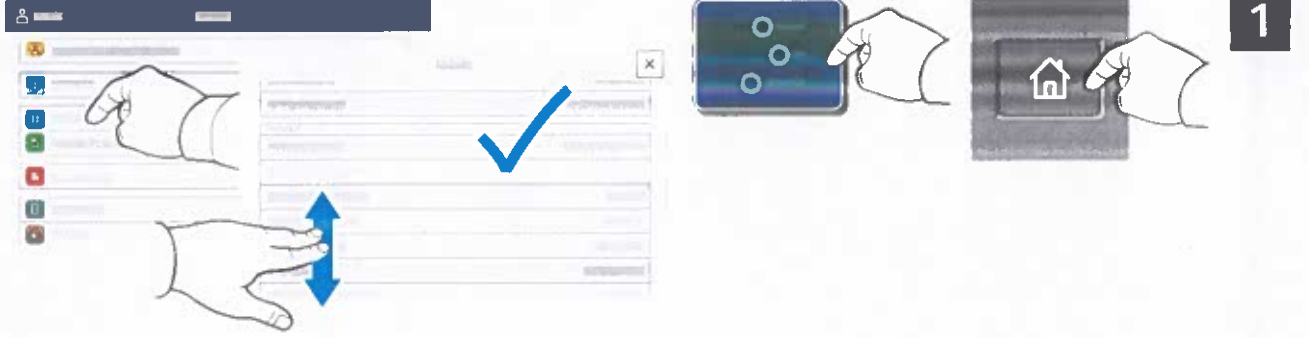
ملاحظة: تظل الإعدادات من المستخدمين السابقين على الشاشة  
 لفترة قصيرة لاستعادة الإعدادات الافتراضية في تطبيق، قم  
 بالتمرير إلى أسفل قائمة الميزات والمس إعادة تعيين.



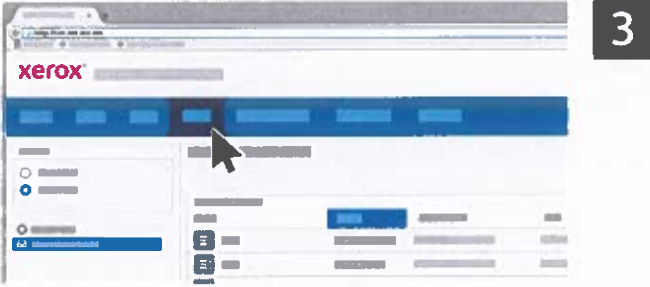
قم بتغيير الإعدادات عند الحاجة، ثم المس مسح ضوئي أو للبريد الإلكتروني، المس  
 إرسال.

# استرداد ملفات المسح الضوئي

لتنزيل صورك الممسوحة ضوئياً من "المجلد العام الافتراضي" على الطابعة، استخدم "خادم الويب المضمن". يمكنك إعداد المجلدات الشخصية وقالب مسح سير العمل ضوئياً في "خادم الويب المضمن". لمعرفة التفاصيل، ارجع إلى دليل المستخدم.



لاحظ عنوان IP الخاص بالطابعة على شاشة اللمس. إذا لم يظهر عنوان IP في الجزء العلوي من شاشة اللمس، فاضغط على الصفحة الرئيسية، واللمس الجهاز < نبذة عن، ثم مرر للتحقق من عنوان IP.



انقر فوق علامة تبويب **Scan** (المسح الضوئي).



في مستعرض ويب، اكتب عنوان IP الخاص بالطابعة، ثم اضغط على **Enter** (إدخال) أو **Return** (رجوع).



حدد المجلد العام الافتراضي، ثم احذف عن لمسح الضوئي الخاص بك في القائمة لتنزيل لمسح الجدي، انقر فوق انتقال

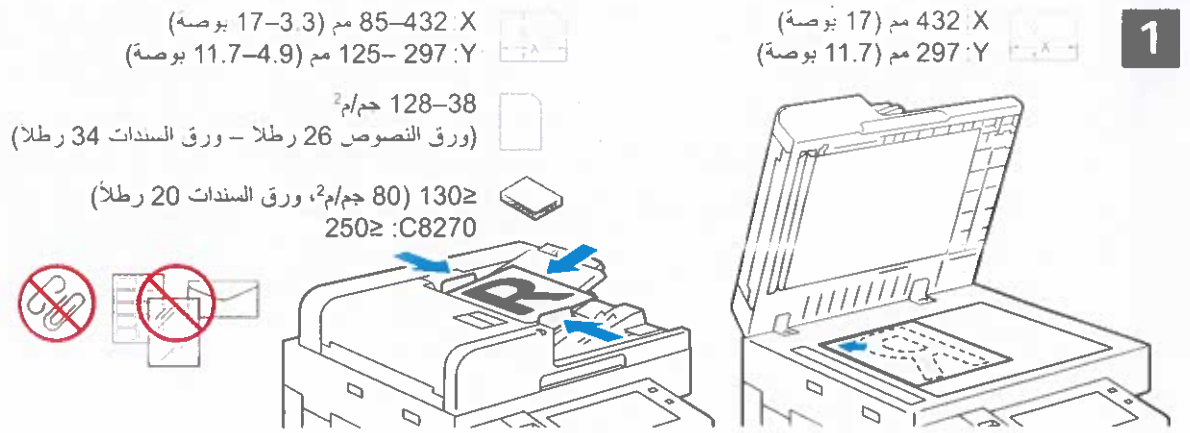
<p><b>Update View</b> لتحديث القائمة، انقر فوق (تحديث طريقة العرض).</p>	<p><b>Download</b> (تنزيل). لحفظ الملف إلى الكمبيوتر، حدد <b>Reprint</b> (إعادة الطباعة). لإزالة المهمة المخزنة بشكل نهائي، حدد <b>Delete</b> (حذف). لفتح دليل، حدد <b>Open</b> (فتح).</p>

## إرسال الفاكس واستلامه

يمكنك إرسال فاكس بوحدة من الطرق الأربعة التالية:

- فاكس يقوم المستند ضوئياً، ثم إرساله مباشرة إلى جهاز فاكس.
- فاكس الخادم يقوم مسح المستند ضوئياً ثم إرساله إلى خادم فاكس، والذي يرسل المستند إلى جهاز فاكس.
- الفاكس عبر الإنترنت يقوم بمسح المستند ضوئياً ثم إرساله عبر البريد الإلكتروني إلى أحد المستلمين.
- فاكس LAN يرسل مهمة الطباعة الحالية كفاكس.

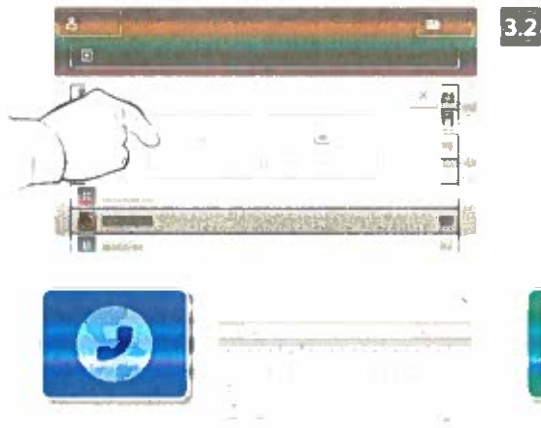
للاطلاع على التفاصيل، ارجع إلى دليل المستخدم. للاطلاع على تفاصيل حول فاكس LAN، ارجع إلى برنامج تشغيل الطباعة. للاطلاع على تفاصيل حول إعدادات الفاكس والإعدادات المتطورة، ارجع إلى System Administrator Guide (دليل مسؤول النظام).



قم بتحميل المستندات الأصلية.



لإرسال فاكس إلى جهاز فاكس، اضغط على الصفحة الرئيسية، ثم المس فاكس أو فاكس الخادم. لإرسال الفاكس كمرق بريد إلكتروني، المس الصفحة الرئيسية، ثم المس الفاكس عبر الإنترنت.



3.2



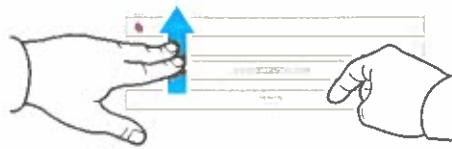
3.1

3



3.3

النسبة لإرفيد الفاكس، لمس ادخال يدوي. ثم ادخل رقم فاكس مستخدم ادخال تعالج ارقامه الزمنية و الاحرف الخاصة بالنسبة لمس  
 المس اضافة لإضافة مزيد من ارقام الفاكس الى القائمة. لمس اضافة مستلم  
 النسبة لعدوين البريد الإلكتروني الخاصة - فاكس عبر الانترنت، لمس ادخال جديد، ثم ادخل عنوان البريد الإلكتروني باستخدام لوحة مفاتيح  
 شاشة اللمس. لمس اضافة. لإضافة مزيد من عناوين البريد الإلكتروني الى القائمة. لمس اضافة مستلم.  
 لتحديد الأرقام المحفوظة، استخدم دفتر عناوين الجهاز او المفضلة. لتحديد مواقع الفاكس المخزنة، استخدم صندوق البريد أو استقصاء.



ملاحظة: تظل الإعدادات من المستخدمين السابقين على الشاشة لفترة قصيرة. لاستعادة الإعدادات الافتراضية في تطبيق، قم بالتمرير إلى أسفل قائمة الميزات والمس إعادة تعيين.

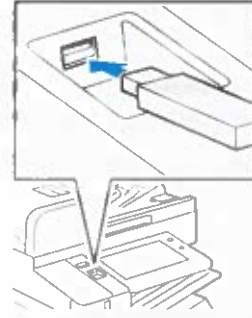
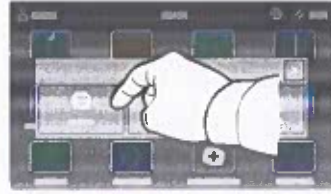


4

قم بتغيير الإعدادات حسب الحاجة، ثم المس إرسال.

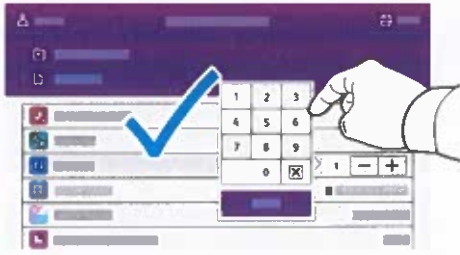
## الطباعة من محرك USB محمول

يمكن طباعة ملفات pdf و tiff و ps و xps. وأنواع الملفات الأخرى مباشرةً من محرك أقراص USB Flash. لمزيد من المعلومات، ارجع إلى دليل المستخدم.



1

المس طباعة من أو محرك USB المحمول، ثم اختر الطباعة من USB.

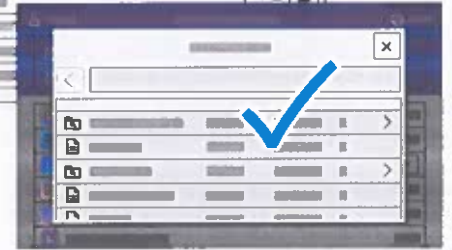


3

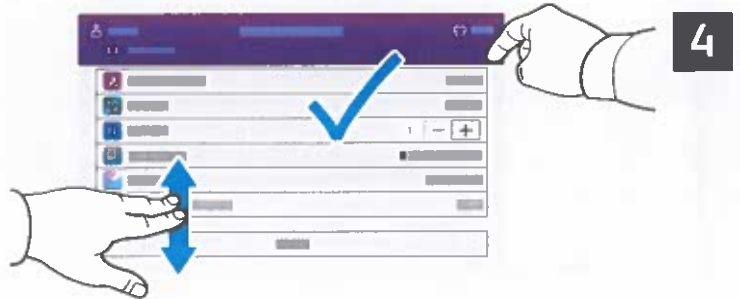
لتحديد عدد النسخ، المس علامة الموجب (+) أو علامة السالب (-). للأعداد الكبيرة، المس الكمية ثم أدخل رقمًا.



2



المس إضافة مستند، ثم انتقل إلى الملفات وحددها.



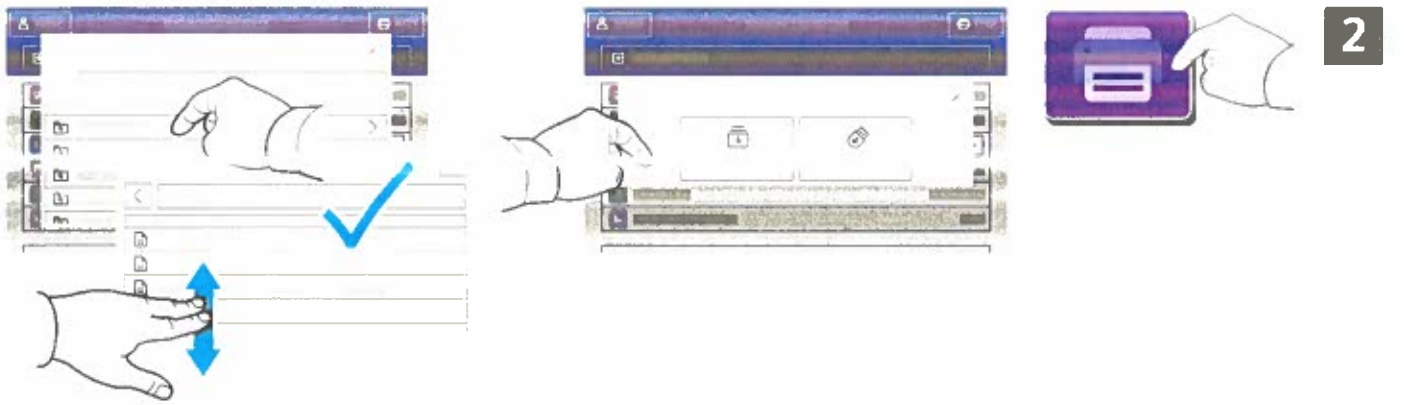
4

حدد الإعدادات حسب الحاجة، ثم المس طباعة.

## طباعة المهام المخزنة على الطابعة



يمكنك ارسال مهمة الطابعة الى الطابعة، ثم تحديد المهمة من لوحة التحكم بالطابعة لطباعتها في وقت لاحق. يمكن حفظ المهام المحفوظة في المحرك العائد الى المحرك كملء سرور في برنامج تشغيل الطابعة Xerox®. حدد **Properties (خصائص)** (لنظام التشغيل Windows) أو **Xerox Features (ميزات Xerox)** (لنظام التشغيل Mac OS) ثم **Job Type (نوع المهمة)** حدد المهمة المحفوظة في الطابعة الامنة للطابعة الامنة، اكتب رمز المرور، انقر فوق **OK (موافق)** واضع المهمة



المس الطباعة من ثم المس المهام المحفوظة. حدد المجلد العام الافتراضي، ثم حدد مهمتك.



حدد الإعدادات من القائمة. لتحديد عدد النسخ، المس علامة الموجب (+) أو علامة السالب (-). للأعداد الكبيرة، المس الكمية ثم أدخل رقماً. المس طباعة. لحذف المهمة، في شاشة الطباعة وشاشة التأكيد، المس حذف.

# PostScript Font Listing

## Internal Fonts (continued):

GreekMono8859-7BoldItalic	<i>ABCDEF G abcdefg 0123456789 &amp;?!\$</i>
GreekMono8859-7Italic	<i>ABCDEF G abcdefg 0123456789 &amp;?!\$.,</i>
GreekSans737	ABCDEF G abcdefg 0123456789 &?!\$.,
GreekSans737-Bold	<b>ABCDEF G abcdefg 0123456789 &amp;?!\$.,</b>
GreekSans737-BoldItalic	<b><i>ABCDEF G abcdefg 0123456789 &amp;?!\$.,</i></b>
GreekSans737-Italic	<i>ABCDEF G abcdefg 0123456789 &amp;?!\$</i>
GreekSans851	ABCDEF G abcdefg 0123456789 &?!\$.,
GreekSans851-Bold	<b>ABCDEF G abcdefg 0123456789 &amp;?!\$.,</b>
GreekSans851-BoldItalic	<b><i>ABCDEF G abcdefg 0123456789 &amp;?!\$.,</i></b>
GreekSans851-Italic	<i>ABCDEF G abcdefg 0123456789 &amp;?!\$.,</i>
GreekSans8859-7	ABCDEF G abcdefg 0123456789 &?!\$.,
GreekSans8859-7Bold	<b>ABCDEF G abcdefg 0123456789 &amp;?!\$.,</b>
GreekSans8859-7BoldItalic	<b><i>ABCDEF G abcdefg 0123456789 &amp;?!\$.,</i></b>
GreekSans8859-7Italic	<i>ABCDEF G abcdefg 0123456789 &amp;?!\$</i>
GreekSerif737	ABCDEF G abcdefg 0123456789 &?!\$.,
GreekSerif737-Bold	<b>ABCDEF G abcdefg 0123456789 &amp;?!\$.,</b>
GreekSerif737-BoldItalic	<b><i>ABCDEF G abcdefg 0123456789 &amp;?!\$.,</i></b>
GreekSerif737-Italic	<i>ABCDEF G abcdefg 0123456789 &amp;?!\$.,</i>
GreekSerif851	ABCDEF G abcdefg 0123456789 &?!\$.,
GreekSerif851-Bold	<b>ABCDEF G abcdefg 0123456789 &amp;?!\$.,</b>
GreekSerif851-BoldItalic	<b><i>ABCDEF G abcdefg 0123456789 &amp;?!\$.,</i></b>
GreekSerif851-Italic	<i>ABCDEF G abcdefg 0123456789 &amp;?!\$.,</i>
GreekSerif8859-7	ABCDEF G abcdefg 0123456789 &?!\$.,
GreekSerif8859-7Bold	<b>ABCDEF G abcdefg 0123456789 &amp;?!\$.,</b>
GreekSerif8859-7BoldItalic	<b><i>ABCDEF G abcdefg 0123456789 &amp;?!\$.,</i></b>
GreekSerif8859-7Italic	<i>ABCDEF G abcdefg 0123456789 &amp;?!\$.,</i>
Helvetica	ABCDEF G abcdefg 0123456789 &?!\$.,€
Helvetica-Bold	<b>ABCDEF G abcdefg 0123456789 &amp;?!\$.,€</b>
Helvetica-BoldOblique	<b><i>ABCDEF G abcdefg 0123456789 &amp;?!\$.,€</i></b>
Helvetica-Condensed	ABCDEF G abcdefg 0123456789 &?!\$.,€
Helvetica-Condensed-Bold	<b>ABCDEF G abcdefg 0123456789 &amp;?!\$.,€</b>
Helvetica-Condensed-BoldOblique	<b><i>ABCDEF G abcdefg 0123456789 &amp;?!\$.,€</i></b>
Helvetica-Condensed-Oblique	<i>ABCDEF G abcdefg 0123456789 &amp;?!\$.,€</i>
Helvetica-Narrow	ABCDEF G abcdefg 0123456789 &?!\$.,€
Helvetica-Narrow-Bold	<b>ABCDEF G abcdefg 0123456789 &amp;?!\$.,€</b>
Helvetica-Narrow-BoldOblique	<b><i>ABCDEF G abcdefg 0123456789 &amp;?!\$.,€</i></b>
Helvetica-Narrow-Oblique	<i>ABCDEF G abcdefg 0123456789 &amp;?!\$.,€</i>
Helvetica-Oblique	<i>ABCDEF G abcdefg 0123456789 &amp;?!\$.,€</i>
HoeflerText-Black	<b>ABCDEF G abcdefg 0123456789 &amp;?!\$.,€</b>
HoeflerText-BlackItalic	<b><i>ABCDEF G abcdefg 0123456789 &amp;?!\$.,€</i></b>
HoeflerText-Italic	<i>ABCDEF G abcdefg 0123456789 &amp;?!\$.,€</i>
HoeflerText-Ornaments	<i>ABCDEF G abcdefg 0123456789 &amp;?!\$.,€</i> 
HoeflerText-Regular	ABCDEF G abcdefg 0123456789 &?!\$.,€
JoannaMT	ABCDEF G abcdefg 0123456789 &?!\$.,€
JoannaMT-Bold	<b>ABCDEF G abcdefg 0123456789 &amp;?!\$.,€</b>
JoannaMT-BoldItalic	<b><i>ABCDEF G abcdefg 0123456789 &amp;?!\$.,€</i></b>
JoannaMT-Italic	<i>ABCDEF G abcdefg 0123456789 &amp;?!\$.,€</i>
LetterGothic	ABCDEF G abcdefg 0123456789 &?!\$.,€
LetterGothic-Bold	<b>ABCDEF G abcdefg 0123456789 &amp;?!\$.,€</b>
LetterGothic-BoldSlanted	<b><i>ABCDEF G abcdefg 0123456789 &amp;?!\$.,€</i></b>
LetterGothic-Slanted	<i>ABCDEF G abcdefg 0123456789 &amp;?!\$.,€</i>
LubalinGraph-Book	ABCDEF G abcdefg 0123456789 &?!\$.,€
LubalinGraph-BookOblique	<i>ABCDEF G abcdefg 0123456789 &amp;?!\$.,€</i>
LubalinGraph-Demi	<b>ABCDEF G abcdefg 0123456789 &amp;?!\$.,€</b>
LubalinGraph-DemiOblique	<b><i>ABCDEF G abcdefg 0123456789 &amp;?!\$.,€</i></b>
Marigold	<i>ABCDEF G abcdefg 0123456789 &amp;?!\$.,€</i>
Monalisa-Recut	ABCDEF G abcdefg 0123456789 &?!\$.,€
Monaco	ABCDEF G abcdefg 0123456789 &?!\$.,€
NewCenturySchlbk-Bold	<b>ABCDEF G abcdefg 0123456789 &amp;?!\$.,€</b>
NewCenturySchlbk-BoldItalic	<b><i>ABCDEF G abcdefg 0123456789 &amp;?!\$.,€</i></b>
NewCenturySchlbk-Italic	<i>ABCDEF G abcdefg 0123456789 &amp;?!\$.,€</i>
NewCenturySchlbk-Roman	ABCDEF G abcdefg 0123456789 &?!\$.,€
NewYork	ABCDEF G abcdefg 0123456789 &?!\$.,€
Optima	ABCDEF G abcdefg 0123456789 &?!\$.,€
Optima-Bold	<b>ABCDEF G abcdefg 0123456789 &amp;?!\$.,€</b>
Optima-BoldItalic	<b><i>ABCDEF G abcdefg 0123456789 &amp;?!\$.,€</i></b>
Optima-Italic	<i>ABCDEF G abcdefg 0123456789 &amp;?!\$.,€</i>
Oxford	ABCDEF G abcdefg 0123456789 &?!\$.,€
Palatino-Bold	<b>ABCDEF G abcdefg 0123456789 &amp;?!\$.,€</b>

# PostScript Font Listing

## Internal Fonts:

AlbertusMT	ABCDEF abcdefg 0123456789 &?!\$,%
AlbertusMT-Italic	ABCDEF abcdefg 0123456789 &?!\$,%
AlbertusMT-Light	ABCDEF abcdefg 0123456789 &?!\$,%
AntiqueOlive-Book	ABCDEF abcdefg 0123456789 &?!\$,%
AntiqueOlive-Compact	<b>ABCDEF abcdefg 0123456789 &amp;?!\$,%</b>
AntiqueOlive-Book	ABCDEF abcdefg 0123456789 &?!\$,%
AntiqueOlive-Roman	ABCDEF abcdefg 0123456789 &?!\$,%
Apple-Chancery	ABCDEF abcdefg 0123456789 &?!\$,%
Arial-BoldItalicMT	<b>ABCDEF abcdefg 0123456789 &amp;?!\$,%</b>
Arial-BoldMT	ABCDEF abcdefg 0123456789 &?!\$,%
Arial-ItalicMT	ABCDEF abcdefg 0123456789 &?!\$,%
ArialMT	ABCDEF abcdefg 0123456789 &?!\$,%
AvantGarde-Book	ABCDEF abcdefg 0123456789 &?!\$,%
AvantGarde-BookOblique	ABCDEF abcdefg 0123456789 &?!\$,%
AvantGarde-Demi	ABCDEF abcdefg 0123456789 &?!\$,%
AvantGarde-DemiOblique	<b>ABCDEF abcdefg 0123456789 &amp;?!\$,%</b>
Bodoni	ABCDEF abcdefg 0123456789 &?!\$,%
Bodoni-Bold	ABCDEF abcdefg 0123456789 &?!\$,%
Bodoni-BoldItalic	<b>ABCDEF abcdefg 0123456789 &amp;?!\$,%</b>
Bodoni-Book	ABCDEF abcdefg 0123456789 &?!\$,%
Bodoni-Poster	<b>ABCDEF abcdefg 0123456789 &amp;?!\$,%</b>
Bodoni-PosterCompressed	ABCDEF abcdefg 0123456789 &?!\$,%
Bookman-Demi	<b>ABCDEF abcdefg 0123456789 &amp;?!\$,%</b>
Bookman-DemiItalic	<b>ABCDEF abcdefg 0123456789 &amp;?!\$,%</b>
Bookman-Light	ABCDEF abcdefg 0123456789 &?!\$,%
Bookman-LightItalic	ABCDEF abcdefg 0123456789 &?!\$,%
Carta	ABCDEF abcdefg 0123456789 &?!\$,%
Chicago	<b>ABCDEF abcdefg 0123456789 &amp;?!\$,%</b>
Clarendon	ABCDEF abcdefg 0123456789 &?!\$,%
Clarendon-Bold	<b>ABCDEF abcdefg 0123456789 &amp;?!\$,%</b>
Clarendon-Light	ABCDEF abcdefg 0123456789 &?!\$,%
CooperBlack	<b>ABCDEF abcdefg 0123456789 &amp;?!\$,%</b>
CooperBlack-Italic	<b>ABCDEF abcdefg 0123456789 &amp;?!\$,%</b>
Copperplate-ThirtyThreeBC	<b>ABCDEF ABCDEF 0123456789 &amp;?!\$,%</b>
Copperplate-ThirtyTwoBC	ABCDEF ABCDEF 0123456789 &?!\$,%
Coronet-Regular	ABCDEF abcdefg 0123456789 &?!\$,%
Courier	ABCDEF abcdefg 0123456789 &?!\$,%
Courier-Bold	<b>ABCDEF abcdefg 0123456789 &amp;?!\$,%</b>
Courier-BoldOblique	<b>ABCDEF abcdefg 0123456789 &amp;?!\$,%</b>
Courier-Oblique	ABCDEF abcdefg 0123456789 &?!\$,%
Eurostile	ABCDEF abcdefg 0123456789 &?!\$,%
Eurostile-Bold	<b>ABCDEF abcdefg 0123456789 &amp;?!\$,%</b>
Eurostile-BoldExtendedTwo	<b>ABCDEF abcdefg 0123456789 &amp;?!\$,%</b>
Eurostile-ExtendedTwo	ABCDEF abcdefg 0123456789 &?!\$,%
Geneva	ABCDEF abcdefg 0123456789 &?!\$,%
GillSans	ABCDEF abcdefg 0123456789 &?!\$,%
GillSans-Bold	<b>ABCDEF abcdefg 0123456789 &amp;?!\$,%</b>
GillSans-BoldCondensed	<b>ABCDEF abcdefg 0123456789 &amp;?!\$,%</b>
GillSans-BoldItalic	<b>ABCDEF abcdefg 0123456789 &amp;?!\$,%</b>
GillSans-Condensed	ABCDEF abcdefg 0123456789 &?!\$,%
GillSans-ExtraBold	<b>ABCDEF abcdefg 0123456789 &amp;?!\$,%</b>
GillSans-Italic	ABCDEF abcdefg 0123456789 &?!\$,%
GillSans-Light	ABCDEF abcdefg 0123456789 &?!\$,%
GillSans-LightItalic	ABCDEF abcdefg 0123456789 &?!\$,%
Goudy	ABCDEF abcdefg 0123456789 &?!\$,%
Goudy-Bold	ABCDEF abcdefg 0123456789 &?!\$,%
Goudy-BoldItalic	ABCDEF abcdefg 0123456789 &?!\$,%
Goudy-ExtraBold	ABCDEF abcdefg 0123456789 &?!\$,%
Goudy-Italic	ABCDEF abcdefg 0123456789 &?!\$,%
GreekMono737	ABCDEF abcdefg 0123456789 &?!\$,%
GreekMono737-Bold	<b>ABCDEF abcdefg 0123456789 &amp;?!\$,%</b>
GreekMono737-BoldItalic	<b>ABCDEF abcdefg 0123456789 &amp;?!\$,%</b>
GreekMono737-Italic	ABCDEF abcdefg 0123456789 &?!\$,%
GreekMono851	ABCDEF abcdefg 0123456789 &?!\$,%
GreekMono851-Bold	<b>ABCDEF abcdefg 0123456789 &amp;?!\$,%</b>
GreekMono851-BoldItalic	<b>ABCDEF abcdefg 0123456789 &amp;?!\$,%</b>
GreekMono851-Italic	ABCDEF abcdefg 0123456789 &?!\$,%
GreekMono8859-7	ABCDEF abcdefg 0123456789 &?!\$,%
GreekMono8859-7Bold	<b>ABCDEF abcdefg 0123456789 &amp;?!\$,%</b>

