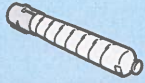


# Supplies Usage

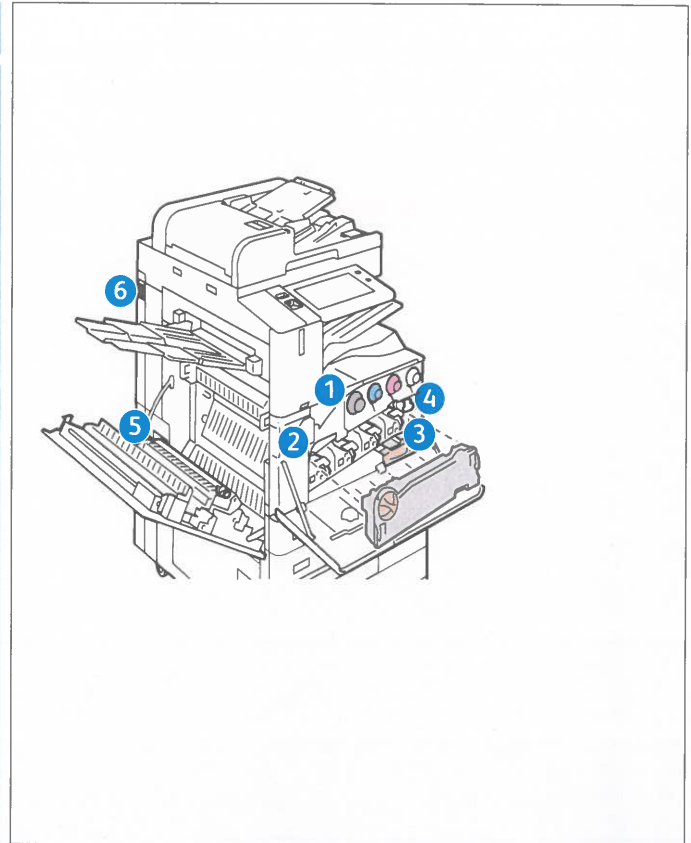
Supplies ordering information is located at [www.xerox.com/office/supplies](http://www.xerox.com/office/supplies)

## Consumables

### 1 Toner Cartridges



<b>Black</b>	Date Installed: Jan 9, 2021 Reorder: 006R01754 Estimated Pages Remaining: 35500 (Based upon this toner cartridge's average coverage: 49 %)	Life Remaining 100% 50% 0%
<b>Cyan</b>	Date Installed: Jan 9, 2021 Reorder: 006R01755 Estimated Pages Remaining: 21000 (Based upon this toner cartridge's average coverage: 2 %)	Life Remaining 100% 50% 0%
<b>Magenta</b>	Date Installed: Jan 9, 2021 Reorder: 006R01756 Estimated Pages Remaining: 21000 (Based upon this toner cartridge's average coverage: 0 %)	Life Remaining 100% 50% 0%
<b>Yellow</b>	Date Installed: Jan 9, 2021 Reorder: 006R01757 Estimated Pages Remaining: 21000 (Based upon this toner cartridge's average coverage: 1 %)	Life Remaining 100% 50% 0%



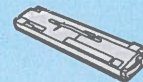
## Routine Maintenance Items

### 2 Drum Cartridge



<b>Black (R1)</b>	Date Installed: Sep 19, 2022 Reorder: 013R00681 Estimated Pages Remaining: 62000 (Based on average printer job size: 1 Pages)	Life Remaining 100% 50% 0%
<b>Cyan (R2)</b>	Date Installed: Sep 19, 2022 Reorder: 013R00681 Estimated Pages Remaining: 61000 (Based on average printer job size: 1 Pages)	Life Remaining 100% 50% 0%
<b>Magenta (R3)</b>	Date Installed: Feb 17, 2023 Reorder: 013R00681 Estimated Pages Remaining: 118500 (Based on average printer job size: 1 Pages)	Life Remaining 100% 50% 0%
<b>Yellow (R4)</b>	Date Installed: Nov 29, 2021 Reorder: 013R00681 Estimated Pages Remaining: 32000 (Based on average printer job size: 1 Pages)	Life Remaining 100% 50% 0%

### 3 Waste Container



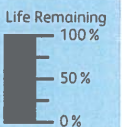
Date Installed: Jan 1, 2021  
Reorder: 008R08101

OK

### 4 Transfer Belt Cleaner



Date Installed: Jan 1, 2021  
Reorder: 001R00623  
Estimated Pages Remaining: 259500



### 5 Second Bias Transfer Roller



Date Installed: Jan 1, 2021  
Reorder: 008R08103  
Estimated Pages Remaining: 359500

