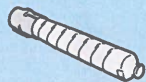


Supplies Usage

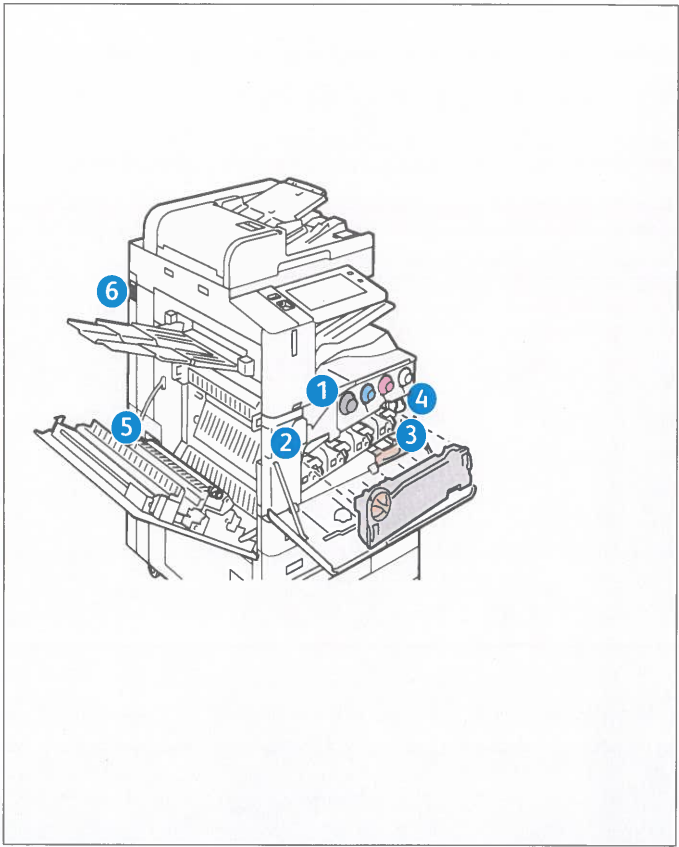
Supplies ordering information is located at www.xerox.com/office/supplies

Consumables

1 Toner Cartridges



Black Date Installed: Jan 9, 2021 Reorder: 006R01754 Estimated Pages Remaining: 35500 (Based upon this toner cartridge's average coverage: 53 %)	Life Remaining 100 % 50 % 0 %
Cyan Date Installed: Jan 9, 2021 Reorder: 006R01755 Estimated Pages Remaining: 21000 (Based upon this toner cartridge's average coverage: 2 %)	Life Remaining 100 % 50 % 0 %
Magenta Date Installed: Jan 9, 2021 Reorder: 006R01756 Estimated Pages Remaining: 21000 (Based upon this toner cartridge's average coverage: 0 %)	Life Remaining 100 % 50 % 0 %
Yellow Date Installed: Jan 9, 2021 Reorder: 006R01757 Estimated Pages Remaining: 21000 (Based upon this toner cartridge's average coverage: 1 %)	Life Remaining 100 % 50 % 0 %



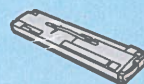
Routine Maintenance Items

2 Drum Cartridge



Black (R1) Date Installed: Sep 19, 2022 Reorder: 013R00681 Estimated Pages Remaining: 62000 (Based on average printer job size: 1 Pages)	Life Remaining 100 % 50 % 0 %
Cyan (R2) Date Installed: Sep 19, 2022 Reorder: 013R00681 Estimated Pages Remaining: 61000 (Based on average printer job size: 1 Pages)	Life Remaining 100 % 50 % 0 %
Magenta (R3) Date Installed: Feb 17, 2023 Reorder: 013R00681 Estimated Pages Remaining: 118500 (Based on average printer job size: 1 Pages)	Life Remaining 100 % 50 % 0 %
Yellow (R4) Date Installed: Nov 29, 2021 Reorder: 013R00681 Estimated Pages Remaining: 32000 (Based on average printer job size: 1 Pages)	Life Remaining 100 % 50 % 0 %

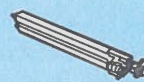
3 Waste Container



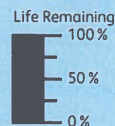
Date Installed: Jan 1, 2021
 Reorder: 008R08101

OK

4 Transfer Belt Cleaner



Date Installed: Jan 1, 2021
 Reorder: 001R00623
 Estimated Pages Remaining: 259500



5 Second Bias Transfer Roller



Date Installed: Jan 1, 2021
 Reorder: 008R08103
 Estimated Pages Remaining: 359500

