

# Supplies Usage

Supplies ordering information is located at [www.xerox.com/office/supplies](http://www.xerox.com/office/supplies)

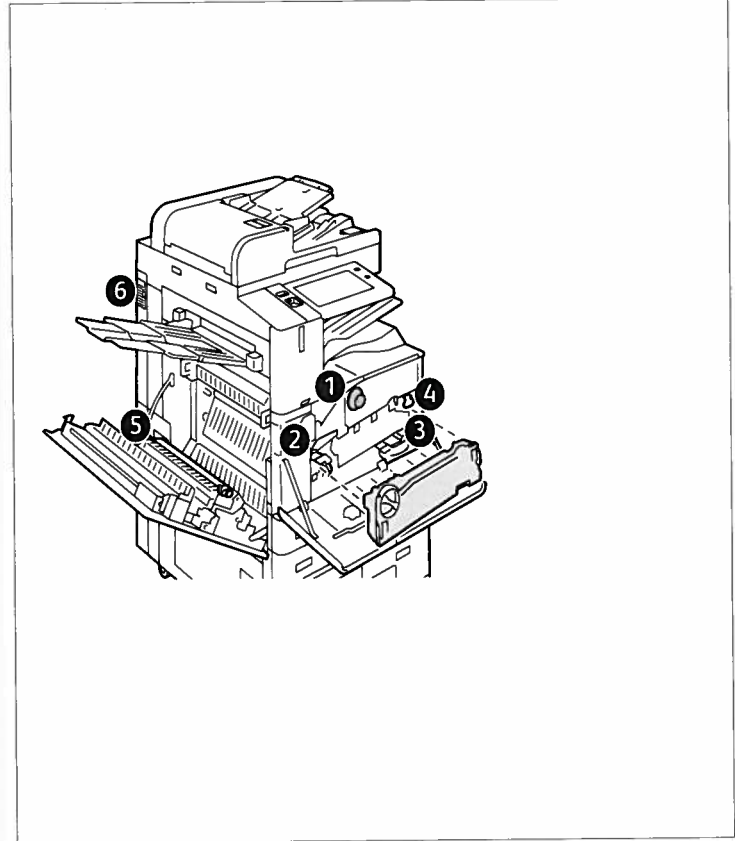
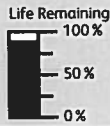
## Consumables

### 1 Toner Cartridges



**Black**

Date Installed: Mar 21, 2023  
Reorder: 006R01770  
Estimated Pages Remaining: 33500  
(Based upon this toner cartridge's average coverage: 2%)



## Routine Maintenance Items

### 2 Drum Cartridge



**Black (R1)**

Date Installed: Mar 27, 2019  
Reorder: 013R00686  
Estimated Pages Remaining: 132000  
(Based on average printer job size: 1 Pages)



### 3 Waste Container



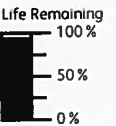
Date Installed: Apr 26, 2024  
Reorder: 008R08101

**OK**

### 4 Transfer Belt Cleaner



Date Installed: Apr 26, 2024  
Reorder: 001R00623  
Estimated Pages Remaining: 152500



### 5 Second Bias Transfer Roller



Date Installed: Apr 26, 2024  
Reorder: 008R08103  
Estimated Pages Remaining: 275500



Recycling information is located at: [www.xerox.com/gwa](http://www.xerox.com/gwa)