

37576

Paper Handling

For a complete list of paper that works with your printer, see the Recommended Media List at:

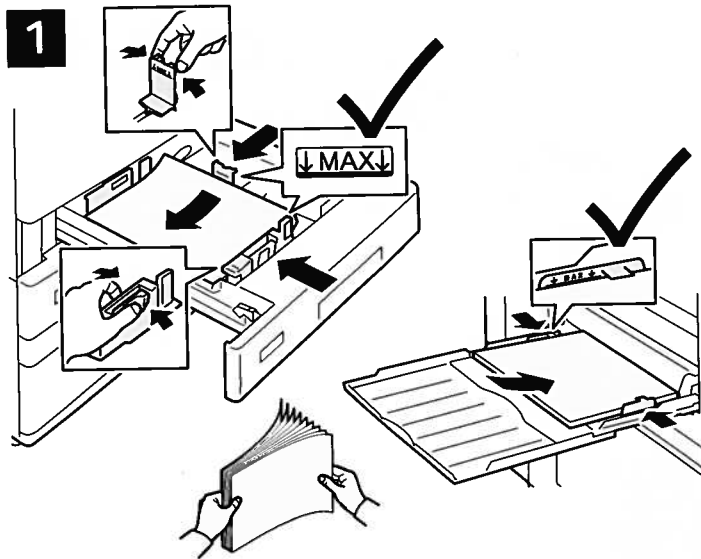
www.xerox.com/rmlna (U. S. and Canada)

www.xerox.com/rmleu (Europe)

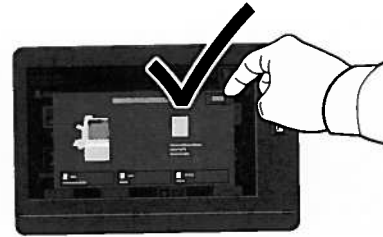
For details about trays and paper, refer to the *User Guide*.

37577

Loading Paper

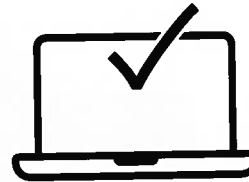


2



Confirm or change size, type, and color settings if needed.

3



For the best results, fan the edges of the paper. Adjust the guides to fit the paper size. Do not load paper above the maximum fill line.

When printing, select options in the print driver.

37578

Paper Orientation

