

Supplies Usage

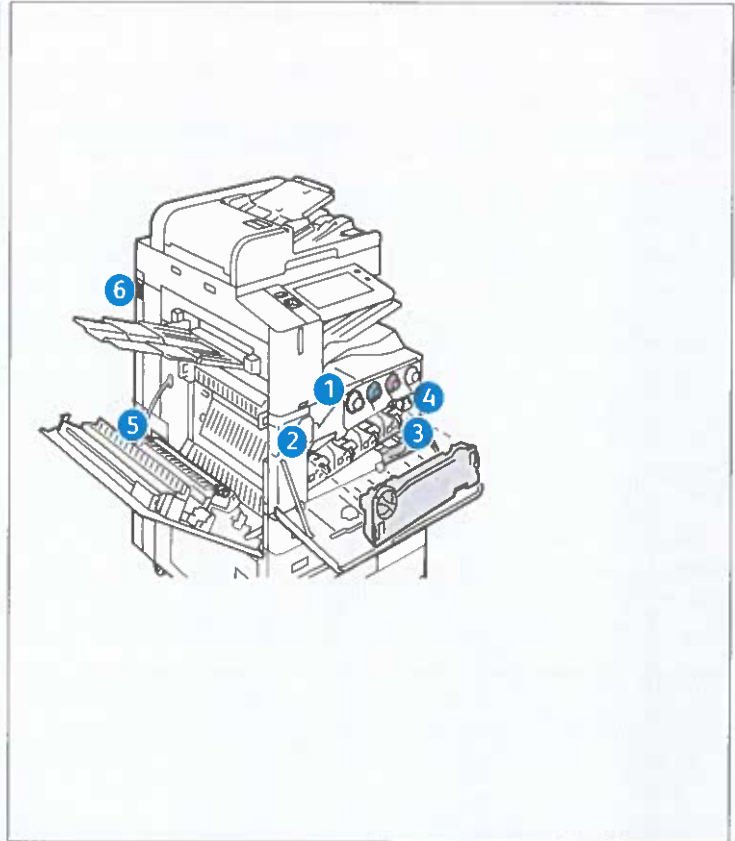
Supplies ordering information is located at www.xerox.com/office/supplies

Consumables

1 Toner Cartridges



Black	Date Installed: Nov 30, 1979 Reorder: Unknown Estimated Pages Remaining: 24500 (Based upon this toner cartridge's average coverage: 7%)	Life Remaining 100% 50% 0%
Cyan	Date Installed: Nov 30, 1979 Reorder: Unknown Estimated Pages Remaining: 17500 (Based upon this toner cartridge's average coverage: 9%)	Life Remaining 100% 50% 0%
Magenta	Date Installed: Nov 30, 1979 Reorder: Unknown Estimated Pages Remaining: 18000 (Based upon this toner cartridge's average coverage: 4%)	Life Remaining 100% 50% 0%
Yellow	Date Installed: Nov 30, 1979 Reorder: Unknown Estimated Pages Remaining: 18000 (Based upon this toner cartridge's average coverage: 4%)	Life Remaining 100% 50% 0%



Routine Maintenance Items

2 Drum Cartridge



Black (R1)	Date Installed: Sep 19, 2022 Reorder: 013R00681 Estimated Pages Remaining: 64000 (Based on average printer job size: 1 Pages)	Life Remaining 100% 50% 0%
Cyan (R2)	Date Installed: Sep 19, 2022 Reorder: 013R00681 Estimated Pages Remaining: 61000 (Based on average printer job size: 1 Pages)	Life Remaining 100% 50% 0%
Magenta (R3)	Date Installed: Feb 17, 2023 Reorder: 013R00681 Estimated Pages Remaining: 118500 (Based on average printer job size: 1 Pages)	Life Remaining 100% 50% 0%
Yellow (R4)	Date Installed: Nov 29, 2021 Reorder: 013R00681 Estimated Pages Remaining: 32000 (Based on average printer job size: 1 Pages)	Life Remaining 100% 50% 0%

3 Waste Container



Date Installed: Jan 1, 2021
Reorder: 008R08101

OK

4 Transfer Belt Cleaner



Date Installed: May 29, 2024
Reorder: 001R00623
Estimated Pages Remaining: 259500



5 Second Bias Transfer Roller



Date Installed: Jan 5, 2021
Reorder: 008R08103
Estimated Pages Remaining: 359500

