

# Paper Handling

For a complete list of paper that works with your printer, see the Recommended Media List at:

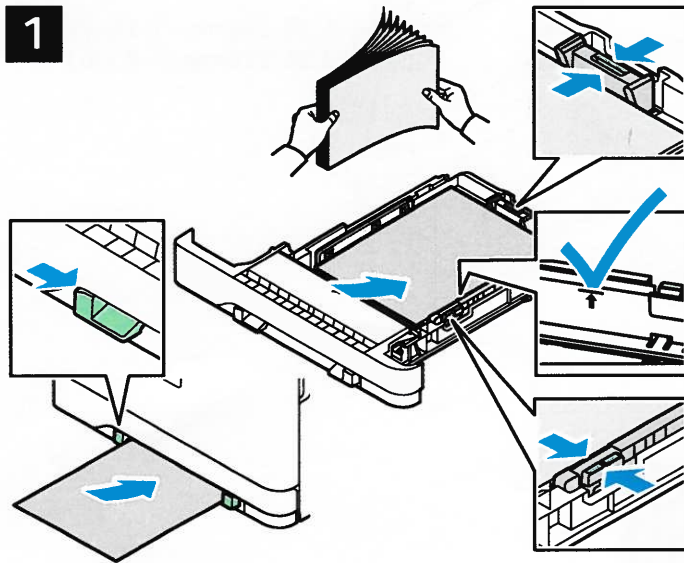
[www.xerox.com/rmlna](http://www.xerox.com/rmlna) (U. S. and Canada)

[www.xerox.com/rmleu](http://www.xerox.com/rmleu) (Europe)

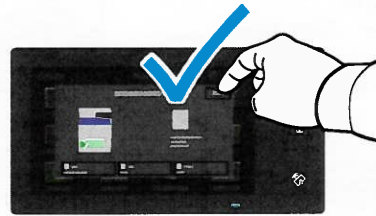
For details about trays and paper, refer to the *User Guide*.

## Loading Paper

1



2



Confirm or change size, type, and color settings if needed.

3



When printing, select options in the print driver.

For the best results, fan the edges of the paper. Adjust the guides to fit the paper size. Do not load paper above the maximum fill line.

## Paper Orientation

