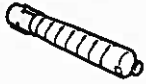


Supplies Usage

Supplies ordering information is located at
www.xerox.com/office/supplies

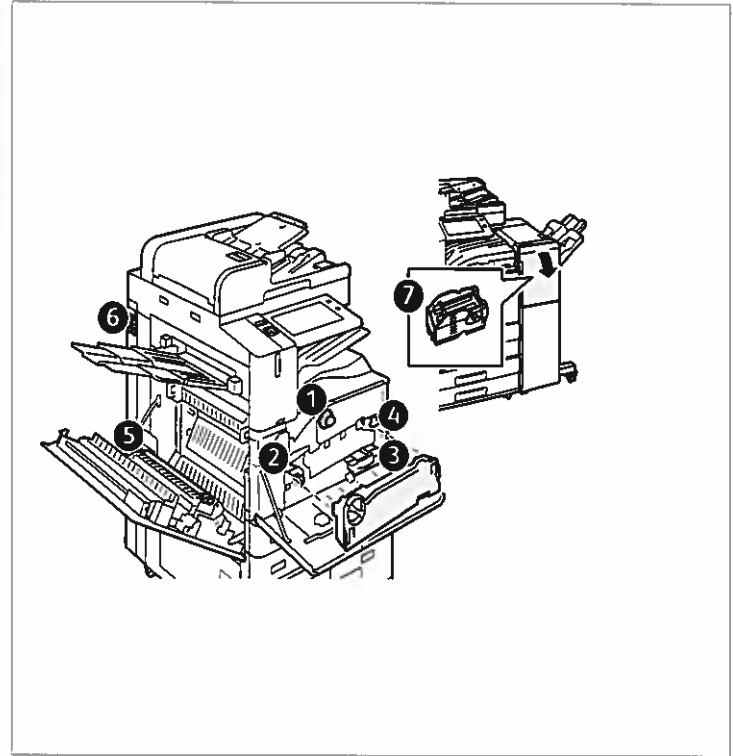
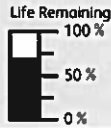
Consumables

1 Toner Cartridges



Black

Date Installed: Aug 2, 2023
Reorder: 006R01770
Estimated Pages Remaining: 26000
(Based upon this toner cartridge's average coverage: 4%)



7 Staple Refill



Reorder: 008R12941

OK

Routine Maintenance Items

2 Drum Cartridge



Black (R1)

Date Installed: Sep 7, 2021
Reorder: 013R00686
Estimated Pages Remaining: 65000
(Based on average printer job size: 1 Pages)



3 Waste Container

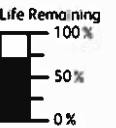
Date Installed: Jan 17, 2024
Reorder: 008R08101



OK

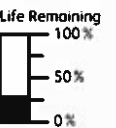
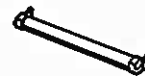
4 Transfer Belt Cleaner

Date Installed: Jan 17, 2024
Reorder: 001R00623
Estimated Pages Remaining: 115500



5 Second Bias Transfer Roller

Date Installed: Jan 17, 2024
Reorder: 008R08103
Estimated Pages Remaining: 111500



Recycling information is located at:

