

Supplies Usage

Supplies ordering information is located at www.xerox.com/office/supplies



3735

Consumables

1 Toner Cartridges



Black

Date Installed: Apr 17, 2023
 Reorder: 006R01742
 Estimated Pages Remaining: 15500
 (Based upon this toner cartridge's average coverage: 4%)

Life Remaining: 100% (0%), 50%, 0%

Cyan

Date Installed: Jan 1, 2021
 Reorder: 006R01743
 Estimated Pages Remaining: 16500
 (Based upon this toner cartridge's average coverage: 3%)

Life Remaining: 100% (0%), 50%, 0%

Magenta

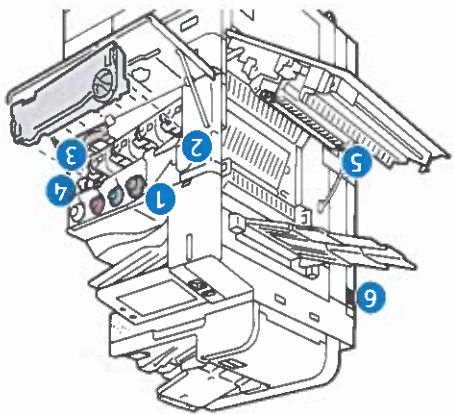
Date Installed: Apr 24, 2023
 Reorder: 006R01744
 Estimated Pages Remaining: 9500
 (Based upon this toner cartridge's average coverage: 2%)

Life Remaining: 100% (0%), 50%, 0%

Yellow

Date Installed: Apr 19, 2023
 Reorder: 006R01745
 Estimated Pages Remaining: 500
 (Based upon this toner cartridge's average coverage: 1%)

Life Remaining: 100% (0%), 50%, 0%



Routine Maintenance Items

2 Drum Cartridge



Black (R1)

Date Installed: Apr 10, 2023
 Reorder: 013R00681
 Estimated Pages Remaining: 17400
 (Based on average printer job size: 1 Pages)

Life Remaining: 100% (0%), 50%, 0%

Cyan (R2)

Date Installed: Mar 10, 2023
 Reorder: 013R00681
 Estimated Pages Remaining: 14500
 (Based on average printer job size: 1 Pages)

Life Remaining: 100% (0%), 50%, 0%

Magenta (R3)

Date Installed: Mar 10, 2023
 Reorder: 013R00681
 Estimated Pages Remaining: 14500
 (Based on average printer job size: 1 Pages)

Life Remaining: 100% (0%), 50%, 0%

Yellow (R4)

Date Installed: Apr 8, 2021
 Reorder: 013R00681
 Estimated Pages Remaining: 7500
 (Based on average printer job size: 1 Pages)

Life Remaining: 100% (0%), 50%, 0%

3 Waste Container



Date Installed: Feb 22, 2025
 Reorder: 008R08101

OK

4 Transfer Belt Cleaner



Date Installed: Feb 22, 2025
 Reorder: 001R00623
 Estimated Pages Remaining: 51500

5 Second Bias Transfer Roller



Date Installed: Feb 22, 2025
 Reorder: 008R08103
 Estimated Pages Remaining: 251500

