

Supplies Usage

37538

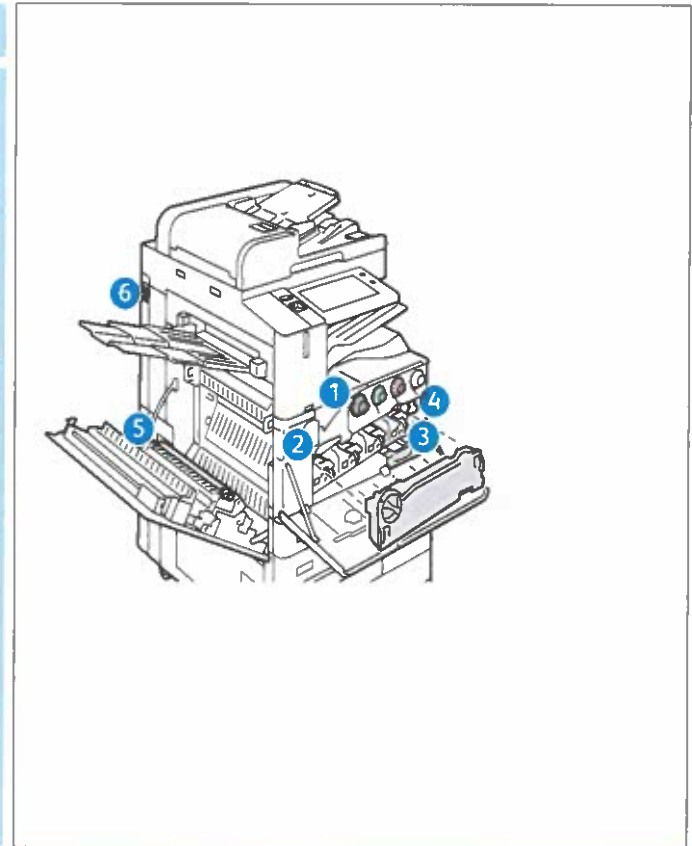
Supplies ordering information is located at www.xerox.com/office/supplies

Consumables

1 Toner Cartridges



Black Date Installed: Apr 17, 2023 Reorder: 006R01742 Estimated Pages Remaining: 15500 (Based upon this toner cartridge's average coverage: 4%)	Life Remaining 100% 50% 0%
Cyan Date Installed: Jan 1, 2021 Reorder: 006R01743 Estimated Pages Remaining: 16500 (Based upon this toner cartridge's average coverage: 3%)	Life Remaining 100% 50% 0%
Magenta Date Installed: Apr 24, 2023 Reorder: 006R01744 Estimated Pages Remaining: 9500 (Based upon this toner cartridge's average coverage: 2%)	Life Remaining 100% 50% 0%
Yellow Date Installed: Apr 19, 2023 Reorder: 006R01745 Estimated Pages Remaining: 500 (Based upon this toner cartridge's average coverage: 1%)	Life Remaining 100% 50% 0%



Routine Maintenance Items

2 Drum Cartridge



Black (R1) Date Installed: Apr 10, 2023 Reorder: 013R00681 Estimated Pages Remaining: 174000 (Based on average printer job size: 1 Pages)	Life Remaining 100% 50% 0%
Cyan (R2) Date Installed: Mar 10, 2023 Reorder: 013R00681 Estimated Pages Remaining: 144500 (Based on average printer job size: 1 Pages)	Life Remaining 100% 50% 0%
Magenta (R3) Date Installed: Mar 10, 2023 Reorder: 013R00681 Estimated Pages Remaining: 144500 (Based on average printer job size: 1 Pages)	Life Remaining 100% 50% 0%
Yellow (R4) Date Installed: Apr 8, 2021 Reorder: 013R00681 Estimated Pages Remaining: 7500 (Based on average printer job size: 1 Pages)	Life Remaining 100% 50% 0%

3 Waste Container



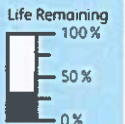
Date Installed: Feb 22, 2025
Reorder: 008R08101

OK

4 Transfer Belt Cleaner



Date Installed: Feb 22, 2025
Reorder: 001R00623
Estimated Pages Remaining: 51500



5 Second Bias Transfer Roller



Date Installed: Feb 22, 2025
Reorder: 008R08103
Estimated Pages Remaining: 251500

