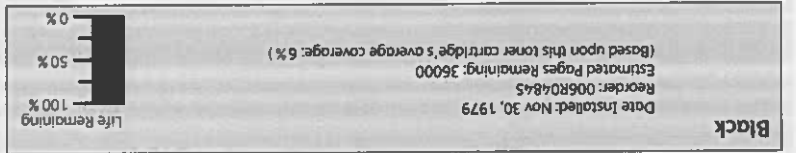


Supplies Usage

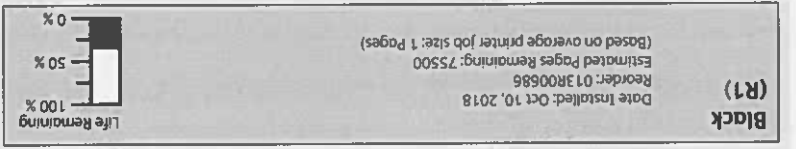
Consumables

1 Toner Cartridges



Routine Maintenance Items

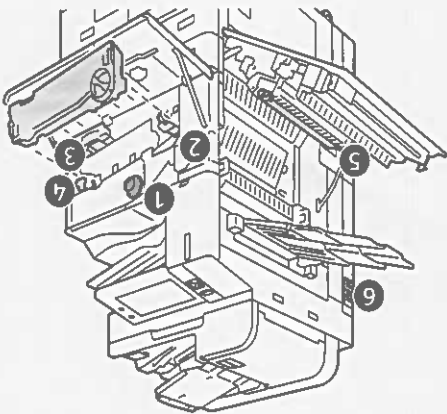
2 Drum Cartridge



Supplies ordering information is located at www.xerox.com/office/supplies



7690.



3 Waste Container



Date Installed: Unknown
Reorder: 008R08101

OK

4 Transfer Belt Cleaner



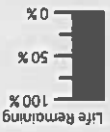
Date Installed: Feb 9, 2024
Reorder: 001R00623
Estimated Pages Remaining: 156500



5 Second Bias Transfer Roller



Date Installed: Feb 9, 2024
Reorder: 008R08103
Estimated Pages Remaining: 356500



6 Fan Filter



Date Installed: Unknown
Reorder: 008R08103
Estimated Pages Remaining: 0

