

# Supplies Usage

## Consumables

### 1 Toner Cartridge



**Black**

Date Installed: Dec 19, 2023  
 Reorder: 006R01770  
 Estimated Pages Remaining: 35500  
 (Based upon this toner cartridge's average coverage: 3%)

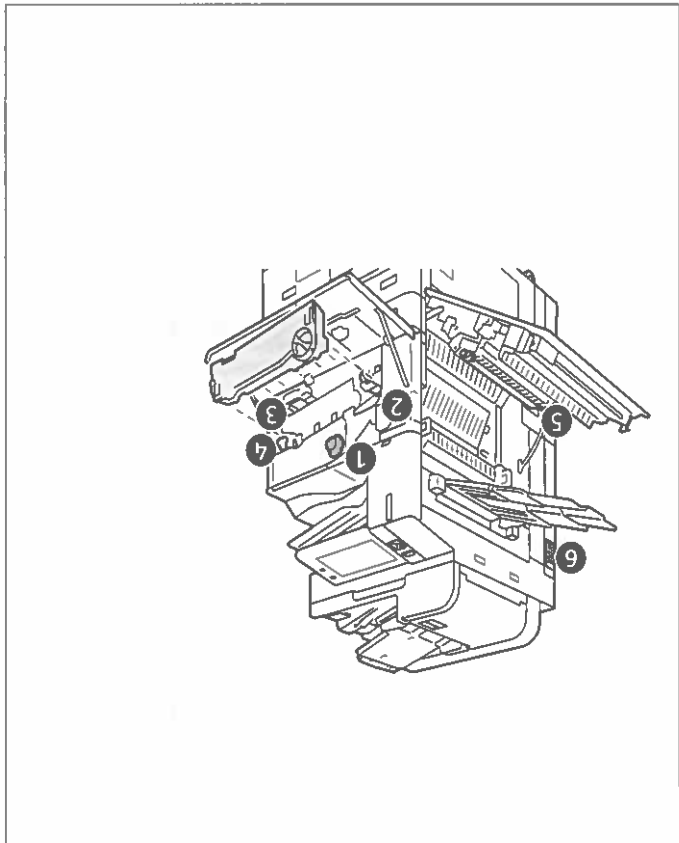
## Routine Maintenance Items

### 2 Drum Cartridge



**Black (R1)**

Date Installed: Oct 10, 2018  
 Reorder: 013R00686  
 Estimated Pages Remaining: 75500  
 (Based on average printer job size: 1 Pages)



### 3 Waste Container



Date Installed: Unknown  
 Reorder: 008R08101

**OK**

### 4 Transfer Belt Cleaner



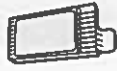
Date Installed: Feb 9, 2024  
 Reorder: 001R00623  
 Estimated Pages Remaining: 157000

### 5 Second Bias Transfer Roller



Date Installed: Feb 9, 2024  
 Reorder: 008R08103  
 Estimated Pages Remaining: 357000

### 6 Fan Filter



Date Installed: Unknown  
 Reorder: Unknown  
 Estimated Pages Remaining: 0

Supplies ordering information is located at [www.xerox.com/office/supplies](http://www.xerox.com/office/supplies)



7665