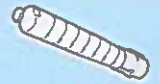


Supplies Usage

Consumables

1 Toner Cartridges



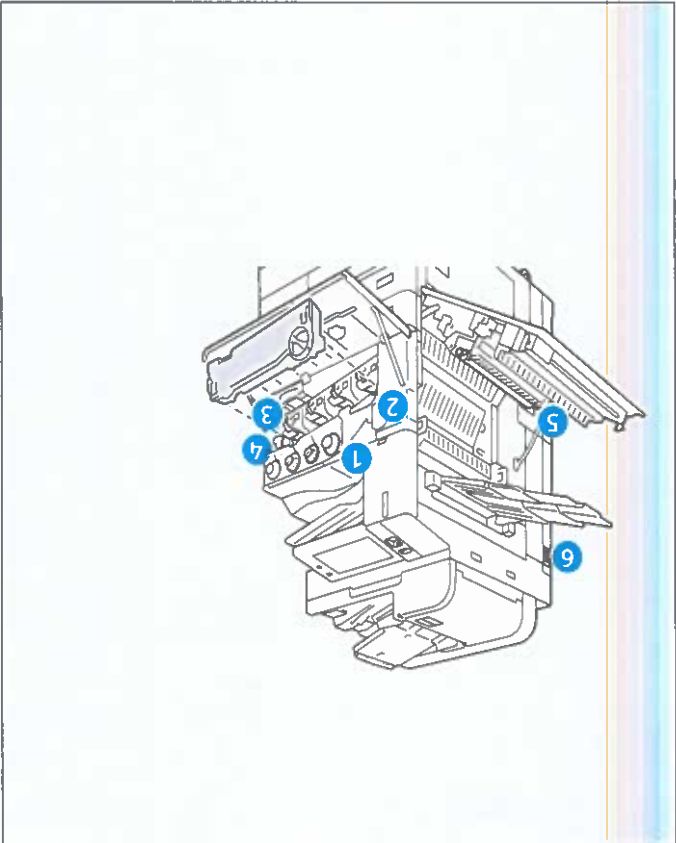
| | |
|----------------|--|
| Black | Date Installed: May 4, 2023 Reorder: 006R01742 Estimated Pages Remaining: 28000 (Based upon this toner cartridge's average coverage: 7%) |
| Cyan | Date Installed: Mar 27, 2023 Reorder: 006R01743 Estimated Pages Remaining: 2000 (Based upon this toner cartridge's average coverage: 9%) |
| Magenta | Date Installed: Dec 29, 2023 Reorder: 006R01744 Estimated Pages Remaining: 21000 (Based upon this toner cartridge's average coverage: 4%) |
| Yellow | Date Installed: Dec 29, 2023 Reorder: 006R01745 Estimated Pages Remaining: 21000 (Based upon this toner cartridge's average coverage: 4%) |

Routine Maintenance Items

2 Drum Cartridge



| | |
|---------------------|--|
| (R1) Black | Date Installed: May 20, 2022 Reorder: 013R00681 Estimated Pages Remaining: 0 (Based on average printer job size: 1 Pages) |
| (R2) Cyan | Date Installed: Sep 19, 2022 Reorder: 013R00681 Estimated Pages Remaining: 66000 (Based on average printer job size: 1 Pages) |
| (R3) Magenta | Date Installed: Sep 19, 2022 Reorder: 013R00681 Estimated Pages Remaining: 66000 (Based on average printer job size: 1 Pages) |
| (R4) Yellow | Date Installed: Apr 30, 2021 Reorder: 013R00681 Estimated Pages Remaining: 92500 (Based on average printer job size: 1 Pages) |



Supplies ordering information is located at www.xerox.com/office/supplies



37551

3 Waste Container



| | |
|-----------|--|
| OK | Date Installed: Jan 18, 2024 Reorder: 008R08102 |
|-----------|--|

4 Transfer Belt Cleaner



| |
|---|
| Date Installed: Feb 6, 2024 Reorder: 001R00623 Estimated Pages Remaining: 200000000 |
|---|

5 Second Bias Transfer Roller



| |
|---|
| Date Installed: Feb 6, 2024 Reorder: 008R08103 Estimated Pages Remaining: 200000000 |
|---|

6 Fan Filter



| |
|---|
| Date Installed: Feb 6, 2024 Reorder: 008R08104 Estimated Pages Remaining: 200000000 |
|---|

Fuser not available as per the report