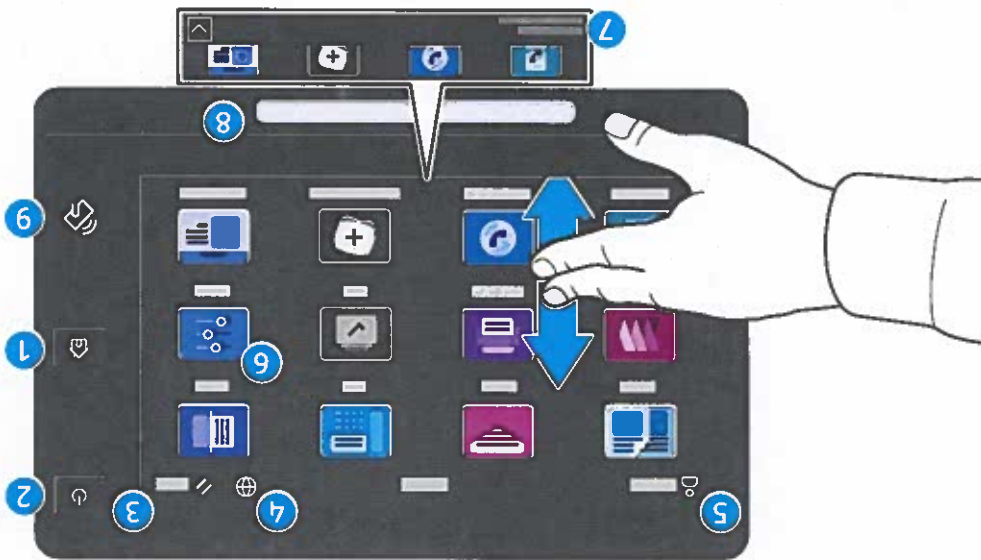


## Control Panel

Available apps can vary based on your printer setup. For details about apps and features, refer to the *User Guide*.



1 Home-returns to the main app screen.

2 Power/Make starts the printer or provides options to sleep, restart or power off the printer.

3 Reset restores settings to their default values in all apps.

4 Language provides choice of screen languages.

5 Log In provides special access to tools and settings.

6 Device app provides access to printer information and settings.

7 Notification banner shows printer status and warnings. To see all notifications, touch the banner, touch the down arrow.

8 Status LED indicates printer status. For detailed information, refer to the *User Guide*.

9 NFC Area allows pairing with a mobile device to print or scan from an app.

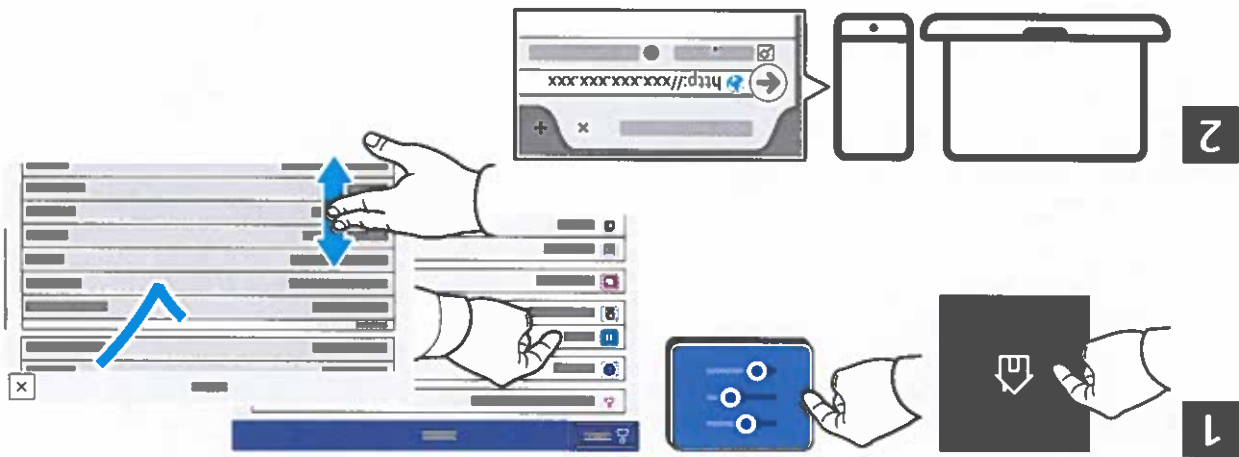
37585

## Embedded Web Server

The Xerox® Embedded Web Server enables you to access printer configuration details, paper and supplies status, job status, and diagnostic functions over a network. You can also manage fax, email, and address books.

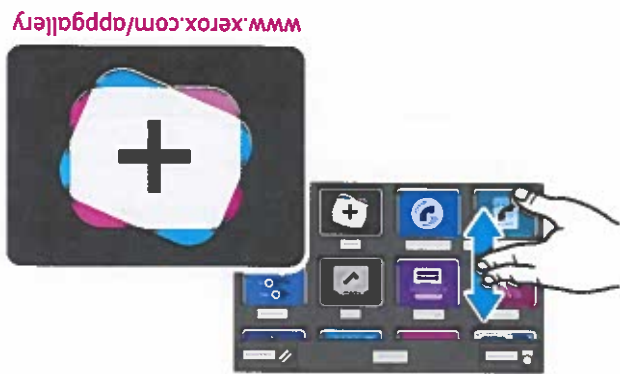
To connect, in a Web browser, type the printer IP address. The network IPv4 address is available on the control panel touch screen. Touch **Device app** > **About**, then scroll down.

For details on using the Embedded Web Server, refer to the *User Guide* located on Xerox.com.



## App Gallery

The Xerox App Gallery has a growing collection of productivity apps that you can install on your printer. Find the app on your home screen and create your login directly, or go to [www.xerox.com/appgallery](http://www.xerox.com/appgallery) to log in and add your device. To simplify app installation, use the same name for your app gallery login credentials that you used for the printer login.



## Paper Handling

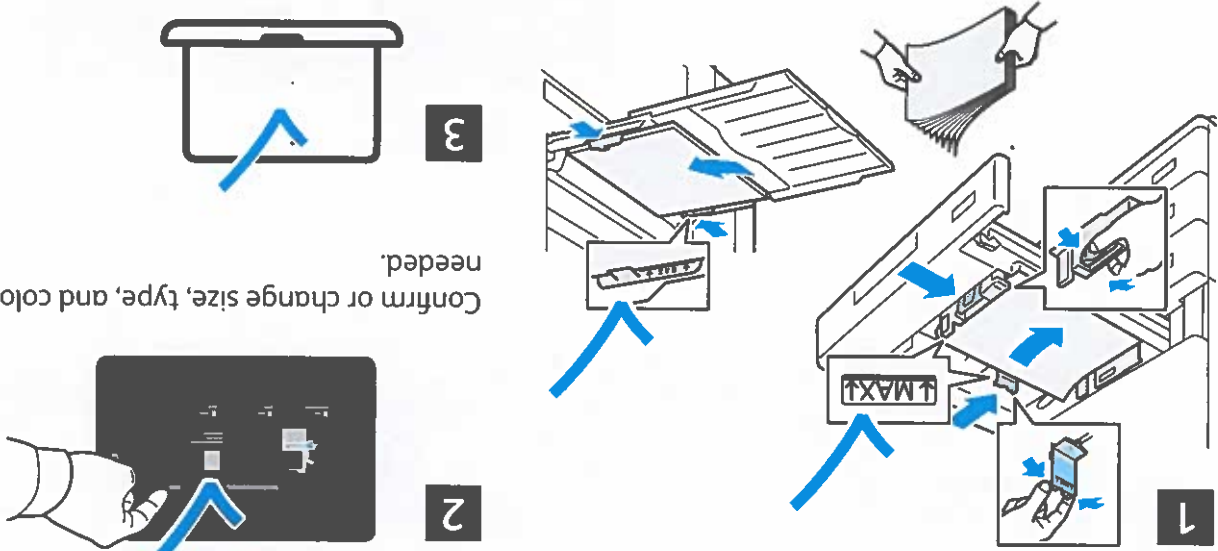
For a complete list of paper that works with your printer, see the Recommended Media List at:

[www.xerox.com/rmlna](http://www.xerox.com/rmlna) (U.S. and Canada)

[www.xerox.com/rmlen](http://www.xerox.com/rmlen) (Europe)

For details about trays and paper, refer to the *User Guide*.

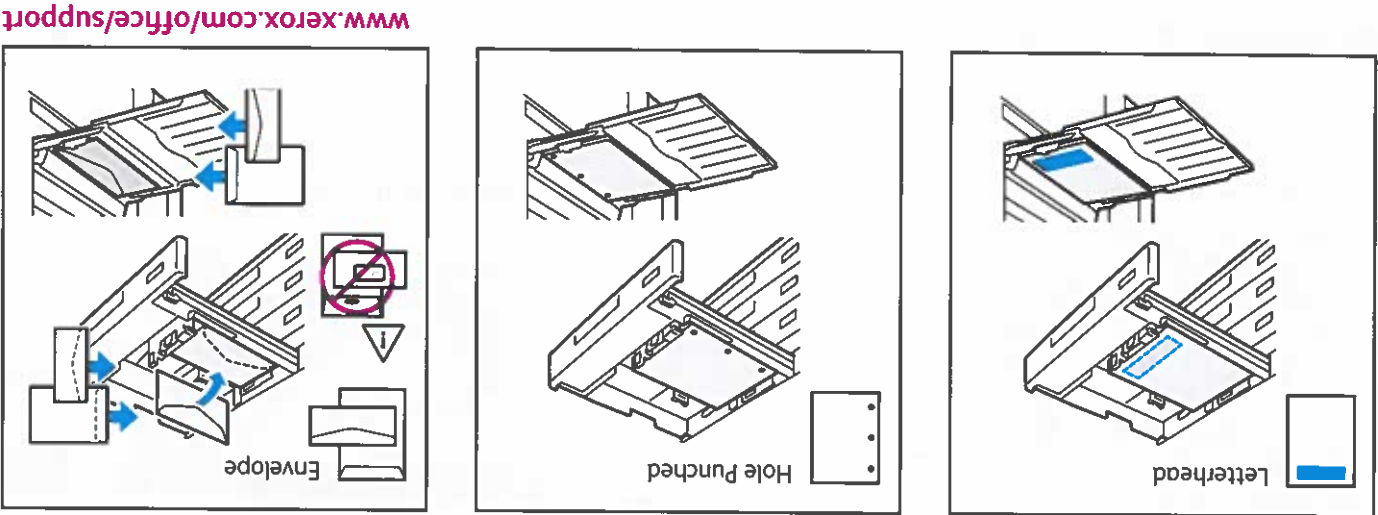
## Loading Paper



Confirm or change size, type, and color settings if needed.

For the best results, fan the edges of the paper. Adjust the guides to fit the paper size. Do not load paper above the maximum fill line.

## Paper Orientation



# Scanning and Emailing

If the printer is connected to a network, you can select a destination for the scanned image at the printer control panel.

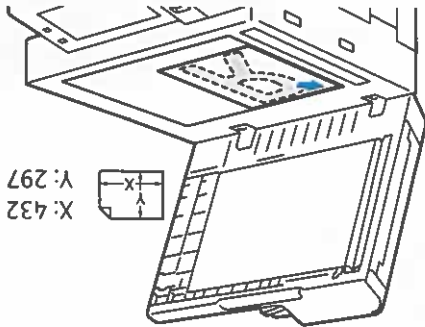
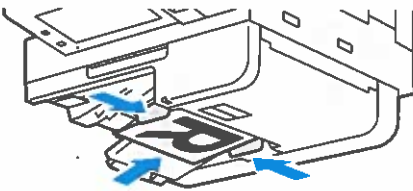
This guide defines techniques to scan documents without preparing special setups:

- Scanning documents to an email address.
- Scanning documents to a saved Favorite, Address Book listing, or USB Flash Drive.
- Scanning documents to the Default Public folder on the printer hard drive, and retrieving them using your Web browser.

For details and more scan setups, refer to the *User Guide*. For details about address book and workflow template setup, refer to the *System Administrator Guide*.

1

- X: 85–432 mm (3.3–17 in.)  
Y: 125–297 mm (4.9–11.7 in.)
- 38–128 g/m<sup>2</sup>  
(26 lb. Text–34 lb. Bond)
- <130 (80 g/m<sup>2</sup>; 20 lb. Bond)  
C8270: <250



Load the original documents.

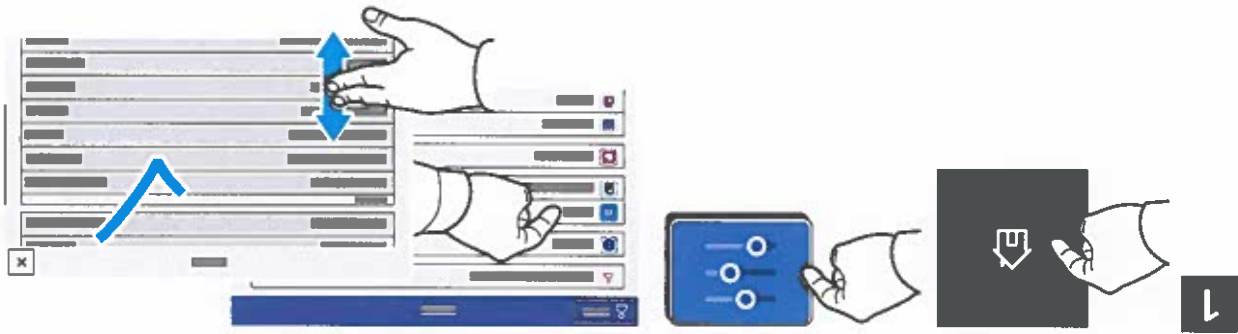
2



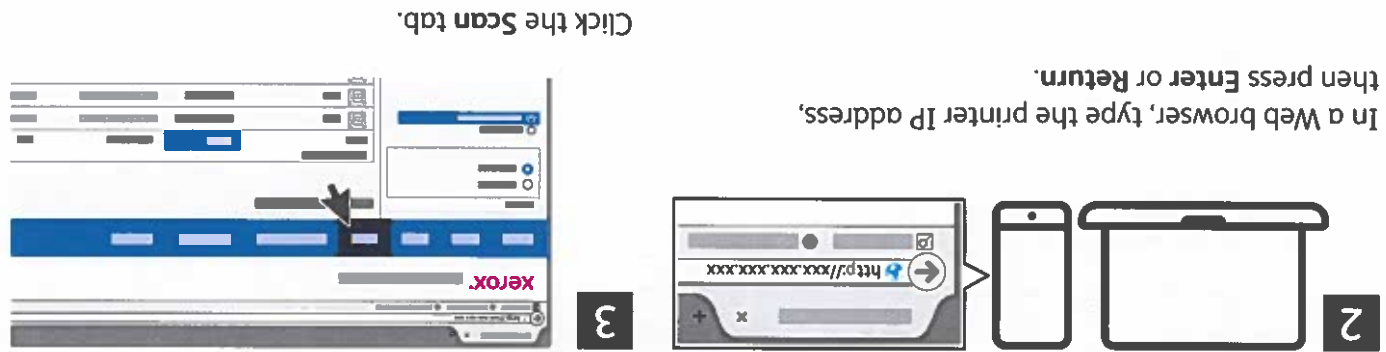
Press **Home**, then to email the scan, touch **Email**. To scan to the Default Public Folder or a USB Flash Drive, touch **Workflow Scanning**. If your scan destination is stored in the Address Book or saved as a Favorite, touch **Scan To**.

# Retrieving Scan Files

To download your scanned images from the Default Public Folder on the printer, use the Embedded Web Server. You can set up personal folders and workflow scanning templates in the Embedded Web Server. For details, refer to the *User Guide*.



Note the printer IP address on the touch screen. If the IP Address does not appear in the top of the touch screen, press Home, touch **Device** > **About** then scroll to check the IP Address.



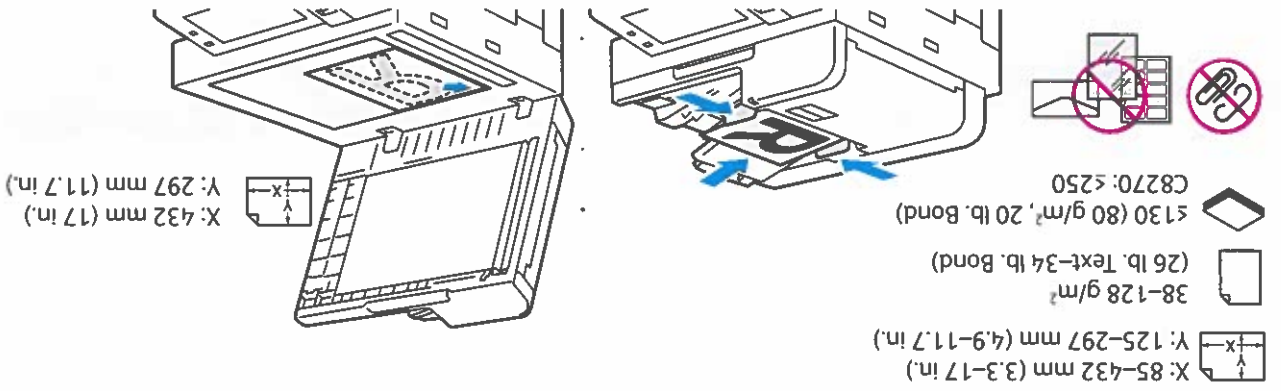
## Faxing

You can send a fax in one of four ways:

- **Fax** scans the document then sends it directly to a fax machine.
- **Server Fax** scans the document then sends it to a fax server, which transmits the document to a fax machine.
- **Internet Fax** scans the document then emails it to a recipient.
- **LAN Fax** sends the current print job as a fax.

For details, refer to the *User Guide*. For details about LAN Fax, refer to the print driver software. For details about fax setup and advanced settings, refer to the *System Administrator Guide*.

1



Load the original document.



To send the fax to a fax machine, press **Home**, then touch **Fax** or **Server Fax**.

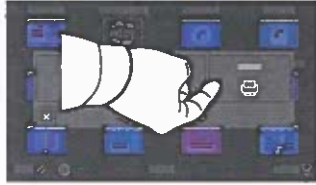
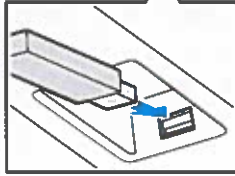
To send the fax as an email attachment, touch **Home**, then touch **Internet Fax**.

# Printing from a USB Flash Drive

You can print .pdf, .tiff, .ps, .xps and other files types directly from a USB Flash Drive. For more information, refer to the *User Guide*.



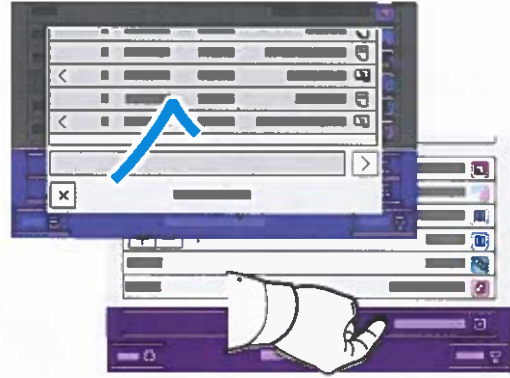
1






Do not remove USB Flash Drive during reading. Files may be damaged.

Touch **Print From** or insert your USB Flash Drive, then choose **Print From USB**.



2

To select the number of copies, touch the plus sign (+) or the minus sign (-). For larger numbers, touch **Quantity** then enter a number.




3

Touch **Add Document**, then navigate to your files and select them.



4

Select settings as needed, then touch **Print**.



Note: Settings from previous users remain onscreen for a short time. To restore the default settings in an app, scroll to the bottom of the feature list, then touch **Reset**.