

Supplies Usage

Consumables

1 Toner Cartridges



Black	Date Installed: May 4, 2023 Reorder: 006R01742 Estimated Pages Remaining: 28000 (Based upon this toner cartridge's average coverage: 7%)
Cyan	Date Installed: Mar 27, 2023 Reorder: 006R01743 Estimated Pages Remaining: 2000 (Based upon this toner cartridge's average coverage: 9%)
Magenta	Date Installed: Dec 29, 2023 Reorder: 006R01744 Estimated Pages Remaining: 21000 (Based upon this toner cartridge's average coverage: 4%)
Yellow	Date Installed: Dec 29, 2023 Reorder: 006R01745 Estimated Pages Remaining: 21000 (Based upon this toner cartridge's average coverage: 4%)

Routine Maintenance Items

2 Drum Cartridge



Black (R1)	Date Installed: May 20, 2022 Reorder: 013R00681 Estimated Pages Remaining: 0 (Based on average printer job size: 1 Pages)
Cyan (R2)	Date Installed: Sep 19, 2022 Reorder: 013R00681 Estimated Pages Remaining: 66000 (Based on average printer job size: 1 Pages)
Magenta (R3)	Date Installed: Sep 19, 2022 Reorder: 013R00681 Estimated Pages Remaining: 66000 (Based on average printer job size: 1 Pages)
Yellow (R4)	Date Installed: Apr 30, 2021 Reorder: 013R00681 Estimated Pages Remaining: 92500 (Based on average printer job size: 1 Pages)

3 Waste Container



Date Installed: Jan 18, 2024
 Reorder: 008R08102
 OK

4 Transfer Belt Cleaner



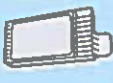
Date Installed: Feb 6, 2024
 Reorder: 001R00623
 Estimated Pages Remaining: 200000000

5 Second Bias Transfer Roller

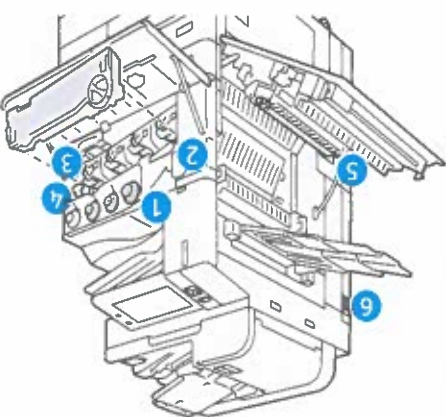


Date Installed: Feb 6, 2024
 Reorder: 008R08103
 Estimated Pages Remaining: 200000000

6 Fan Filter



Date Installed: Feb 6, 2024
 Reorder: 008R08104
 Estimated Pages Remaining: 200000000



Supplies ordering information is located at www.xerox.com/office/supplies

Recycling information is located at: www.xerox.com/gwa

37561 XEROX