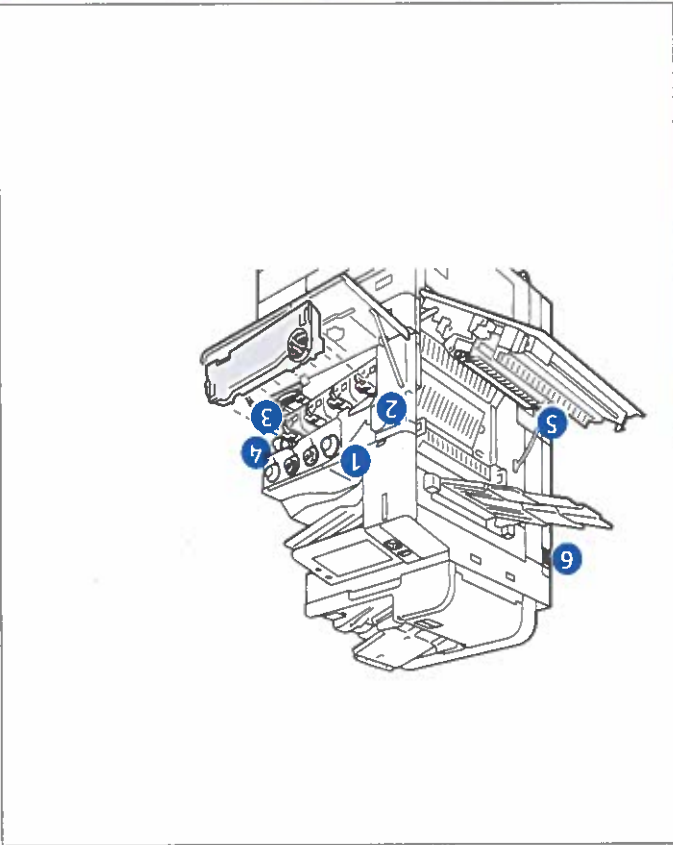


7C - 37539



Supplies Usage

Supplies ordering information is located at www.xerox.com/office/supplies



Consumables

1 Toner Cartridges

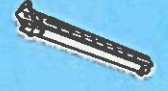


Black	Date Installed: May 4, 2023 Reorder: 006R01742 Estimated Pages Remaining: 28500 (Based upon this toner cartridge's average coverage: 7%)	Life Remaining: 100% 50% 0%
Cyan	Date Installed: Mar 27, 2023 Reorder: 006R01743 Estimated Pages Remaining: 2500 (Based upon this toner cartridge's average coverage: 10%)	Life Remaining: 100% 50% 0%

Magenta	Date Installed: Dec 22, 2022 Reorder: 006R01744 Estimated Pages Remaining: 1000 (Based upon this toner cartridge's average coverage: 3%)	Life Remaining: 100% 50% 0%
Yellow	Date Installed: Dec 29, 2023 Reorder: 006R01745 Estimated Pages Remaining: 21000 (Based upon this toner cartridge's average coverage: 3%)	Life Remaining: 100% 50% 0%

Routine Maintenance Items

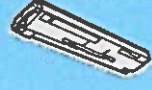
2 Drum Cartridge



Black (R1)	Date Installed: May 20, 2022 Reorder: 013R00681 Estimated Pages Remaining: 0 (Based on average printer job size: 1 Pages)	Life Remaining: 100% 50% 0%
Cyan (R2)	Date Installed: Sep 19, 2022 Reorder: 013R00681 Estimated Pages Remaining: 66000 (Based on average printer job size: 1 Pages)	Life Remaining: 100% 50% 0%

Magenta (R3)	Date Installed: Feb 19, 2022 Reorder: 006R01744 Estimated Pages Remaining: 1000 (Based on average printer job size: 1 Pages)	Life Remaining: 100% 50% 0%
Yellow (R4)	Date Installed: Apr 30, 2021 Reorder: 013R00681 Estimated Pages Remaining: 94000 (Based on average printer job size: 1 Pages)	Life Remaining: 100% 50% 0%

3 Waste Container



Date Installed: Jan 18, 2024 Reorder: 008R08102	OK
--	----

4 Transfer Belt Cleaner



Date Installed: Feb 6, 2024 Reorder: 001R00623 Estimated Pages Remaining: 200000000	Life Remaining: 100% 50% 0%
---	-----------------------------------

5 Second Bias Transfer Roller



Date Installed: Feb 6, 2024 Reorder: 008R08103 Estimated Pages Remaining: 200000000	Life Remaining: 100% 50% 0%
---	-----------------------------------

6 Fan Filter



Date Installed: Feb 6, 2024 Reorder: 008R08104 Estimated Pages Remaining: 200000000	Life Remaining: 100% 50% 0%
---	-----------------------------------

Date Installed: Apr 30, 2021 Reorder: 013R00681 Estimated Pages Remaining: 94000 (Based on average printer job size: 1 Pages)	Life Remaining: 100% 50% 0%
--	-----------------------------------