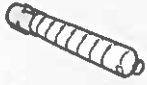


# Supplies Usage

Supplies ordering information is located at [www.xerox.com/office/supplies](http://www.xerox.com/office/supplies)

## Consumables

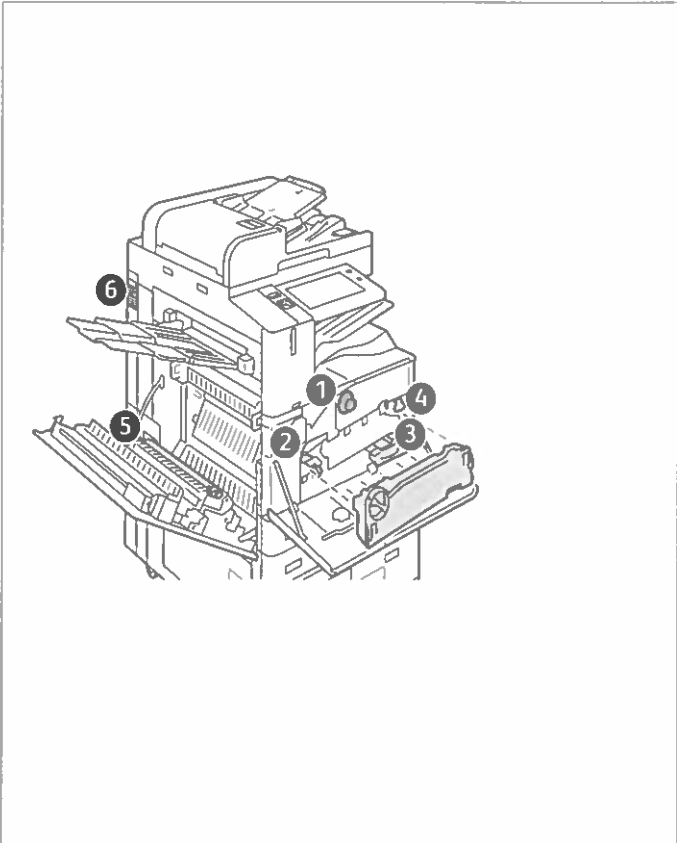
### 1 Toner Cartridges



**Black**

Date Installed: Nov 30, 1979  
 Reorder: 006R01770  
 Estimated Pages Remaining: 32000  
 (Based upon this toner cartridge's average coverage: 9%)

Life Remaining



## Routine Maintenance Items

### 2 Drum Cartridge



**Black (R1)**

Date Installed: Mar 27, 2019  
 Reorder: 013R00686  
 Estimated Pages Remaining: 145000  
 (Based on average printer job size: 1 Pages)

Life Remaining

### 3 Waste Container



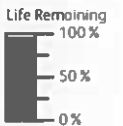
Date Installed: Dec 16, 2023  
 Reorder: 008R08101

OK

### 4 Transfer Belt Cleaner



Date Installed: Dec 16, 2023  
 Reorder: 001R00623  
 Estimated Pages Remaining: 155000



### 5 Second Bias Transfer Roller



Date Installed: Dec 16, 2023  
 Reorder: 008R08103  
 Estimated Pages Remaining: 275000

