

Supplies Usage

Consumables

1 Toner Cartridge



Black

Date Installed: Nov 30, 1979
 Reorder: 006R01770
 Estimated Pages Remaining: 31000
 (Based upon this toner cartridge's average coverage: 2%)

2 Drum Cartridge



Black (R1)

Date Installed: Jan 19, 2021
 Reorder: 013R00686
 Estimated Pages Remaining: 106500
 (Based on average print job size: 1 Pages)

Routine Maintenance Items

3 Waste Container



Date Installed: Jan 1, 2021
 Reorder: 008R08102

OK

4 Transfer Belt Cleaner

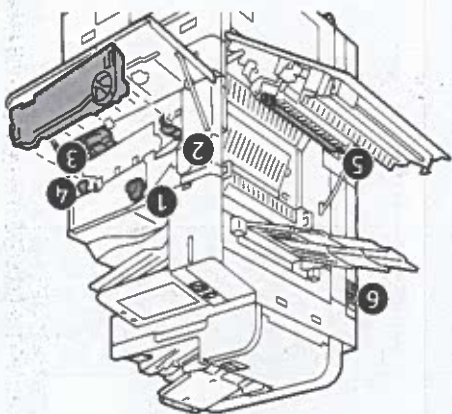


Date Installed: Jan 1, 2021
 Reorder: 001R00623
 Estimated Pages Remaining: 160000

5 Second Bias Transfer Roller



Date Installed: Jan 1, 2021
 Reorder: 008R08103
 Estimated Pages Remaining: 360000



Supplies ordering information is located at www.xerox.com/office/supplies



Webb