

# Supplies Usage

## Consumables

1 Toner Cartridge



**Black**

Date Installed: Nov 30, 1979  
 Reorder: 006R01770  
 Estimated Pages Remaining: 31000  
 (Based upon this toner cartridge's average coverage: 2%)

## Routine Maintenance Items

2 Drum Cartridge

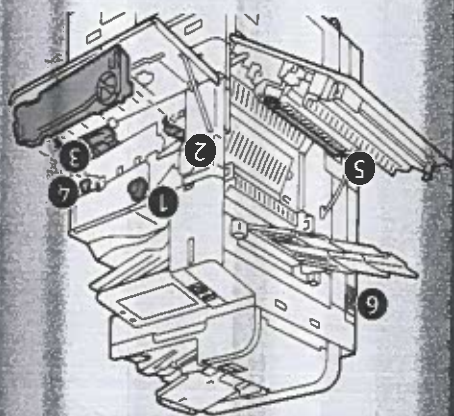


Date Installed: Jan 19, 2021  
 Reorder: 013800586  
 Estimated Pages Remaining: 106500  
 (Based on average printed size: 1 Pages)

Supplies and maintenance information is located at [www.xerox.com/gw](#)



7682



Waste Container



Date Installed: Jan 1, 2021  
 Reorder: 008R08102

**OK**

Transfer Belt Cleaner



Date Installed: Jan 1, 2021  
 Reorder: 001R00623  
 Estimated Pages Remaining: 160000

Second Bias Transfer Roller



Date Installed: Jan 1, 2021  
 Reorder: 008R08103  
 Estimated Pages Remaining: 360000

Recycling information is located at: [www.xerox.com/gw](#)

Printer Activation Date: Jan 01, 2021 00:01:57