

Supplies Usage

Consumables

1 Toner Cartridges



Black

Date Installed: Nov 30, 1979
 Reorder: 006R01770
 Estimated Pages Remaining: 32000
 (Based upon this toner cartridge's average coverage: 9%)



Routine Maintenance Items

2 Drum Cartridge



Black (R1)

Date Installed: Mar 27, 2019
 Reorder: 013R00586
 Estimated Pages Remaining: 145000
 (Based on average printer job size: 1 Pages)

3 Waste Container



Date Installed: Dec 16, 2023
 Reorder: 008R08101

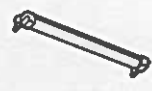
OK

4 Transfer Belt Cleaner

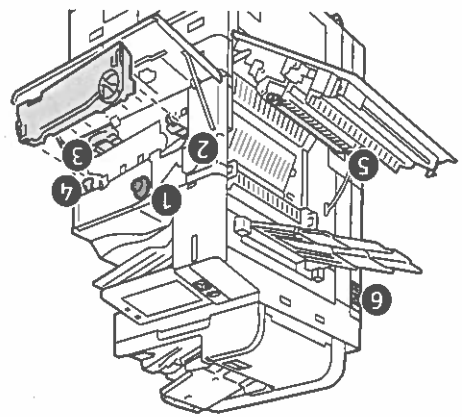


Date Installed: Dec 16, 2023
 Reorder: 001R00623
 Estimated Pages Remaining: 155000

5 Second Bias Transfer Roller



Date Installed: Dec 16, 2023
 Reorder: 008R08103
 Estimated Pages Remaining: 275500



Supplies ordering information is located at www.xerox.com/office/supplies



Consumables

1 Toner Cartridges



Black

Date Installed: Nov 30, 1979
 Reorder: 006R01770
 Estimated Pages Remaining: 32000
 (Based upon this toner cartridge's average coverage: 9%)



Routine Maintenance Items

2 Drum Cartridge



Black (R1)

Date Installed: Mar 27, 2019
 Reorder: 013R00586
 Estimated Pages Remaining: 145000
 (Based on average printer job size: 1 Pages)

3 Waste Container



Date Installed: Dec 16, 2023
 Reorder: 008R08101

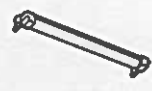
OK

4 Transfer Belt Cleaner



Date Installed: Dec 16, 2023
 Reorder: 001R00623
 Estimated Pages Remaining: 155000

5 Second Bias Transfer Roller



Date Installed: Dec 16, 2023
 Reorder: 008R08103
 Estimated Pages Remaining: 275500

Supplies ordering information is located at www.xerox.com/office/supplies



Supplies Usage

Consumables

1 Toner Cartridges



Black

Date Installed: Nov 30, 1979
 Reorder: 006R01770
 Estimated Pages Remaining: 32000
 (Based upon this toner cartridge's average coverage: 9%)



Routine Maintenance Items

2 Drum Cartridge



Black (R1)

Date Installed: Mar 27, 2019
 Reorder: 013R00586
 Estimated Pages Remaining: 145000
 (Based on average printer job size: 1 Pages)

3 Waste Container



Date Installed: Dec 16, 2023
 Reorder: 008R08101

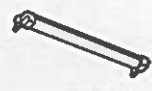
OK

4 Transfer Belt Cleaner



Date Installed: Dec 16, 2023
 Reorder: 001R00623
 Estimated Pages Remaining: 155000

5 Second Bias Transfer Roller



Date Installed: Dec 16, 2023
 Reorder: 008R08103
 Estimated Pages Remaining: 275500

Supplies ordering information is located at www.xerox.com/office/supplies



Supplies Usage

Consumables

1 Toner Cartridges



Black

Date Installed: Nov 30, 1979
 Reorder: 006R01770
 Estimated Pages Remaining: 32000
 (Based upon this toner cartridge's average coverage: 9%)



Routine Maintenance Items

2 Drum Cartridge



Black (R1)

Date Installed: Mar 27, 2019
 Reorder: 013R00586
 Estimated Pages Remaining: 145000
 (Based on average printer job size: 1 Pages)

3 Waste Container



Date Installed: Dec 16, 2023
 Reorder: 008R08101

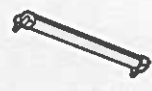
OK

4 Transfer Belt Cleaner



Date Installed: Dec 16, 2023
 Reorder: 001R00623
 Estimated Pages Remaining: 155000

5 Second Bias Transfer Roller



Date Installed: Dec 16, 2023
 Reorder: 008R08103
 Estimated Pages Remaining: 275500

Supplies ordering information is located at www.xerox.com/office/supplies

