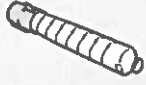


# Supplies Usage

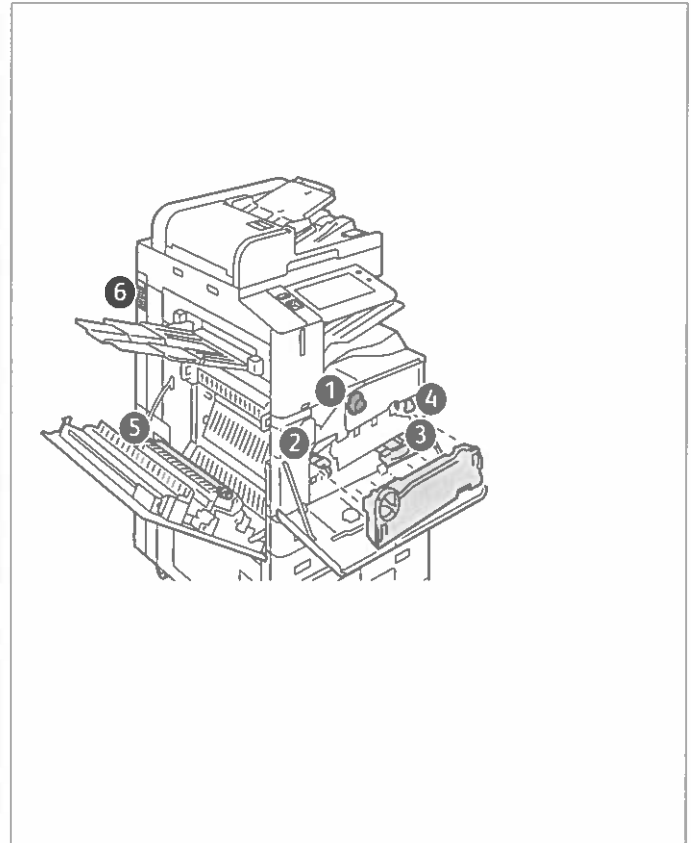
Supplies ordering information is located at [www.xerox.com/office/supplies](http://www.xerox.com/office/supplies)

## Consumables

### 1 Toner Cartridges



<p><b>Black</b></p> <p>Date Installed: Nov 30, 1979                  Reorder: 006R01770                  Estimated Pages Remaining: 32000                  (Based upon this toner cartridge's average coverage: 9%)</p>	<p>Life Remaining</p> <p>100 % 50 % 0 %</p>
---	---



## Routine Maintenance Items

### 2 Drum Cartridge



<p><b>Black (R1)</b></p> <p>Date Installed: Mar 27, 2019                  Reorder: 013R00686                  Estimated Pages Remaining: 145000                  (Based on average printer job size: 1 Pages)</p>	<p>Life Remaining</p> <p>100 % 50 % 0 %</p>
---	---

### 3 Waste Container



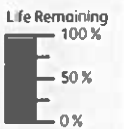
Date Installed: Dec 16, 2023  
 Reorder: 008R08101

OK

### 4 Transfer Belt Cleaner



Date Installed: Dec 16, 2023  
 Reorder: 001R00623  
 Estimated Pages Remaining: 154500



### 5 Second Bias Transfer Roller



Date Installed: Dec 16, 2023  
 Reorder: 008R08103  
 Estimated Pages Remaining: 275500

