

Supplies Usage

Consumables

1 Toner Cartridge



Black

Date Installed: Mar 21, 2023
 Reorder: 006R01770
 Estimated Pages Remaining: 34000
 (Based upon this toner cartridge's average coverage: 10%)

Routine Maintenance Items

2 Drum Cartridge



Black (R1)

Date Installed: Mar 27, 2019
 Reorder: 013R00686
 Estimated Pages Remaining: 149000
 (Based on average printer job size: 1 Page)

3 Waste Container



OK

Date Installed: Aug 24, 2023
 Reorder: 008R08101

4 Transfer Belt Cleaner

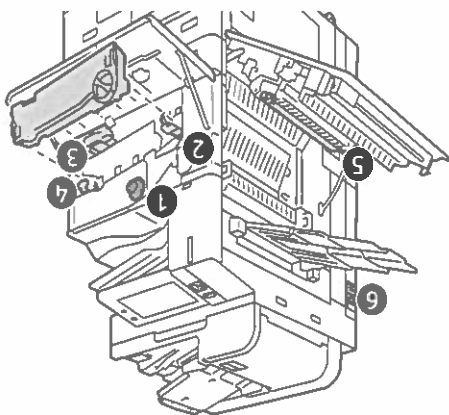


Date Installed: Aug 24, 2023
 Reorder: 001R00623
 Estimated Pages Remaining: 155000

5 Second Bias Transfer Roller



Date Installed: Aug 24, 2023
 Reorder: 008R08103
 Estimated Pages Remaining: 275500



Supplies ordering information is located at www.xerox.com/office/supplies